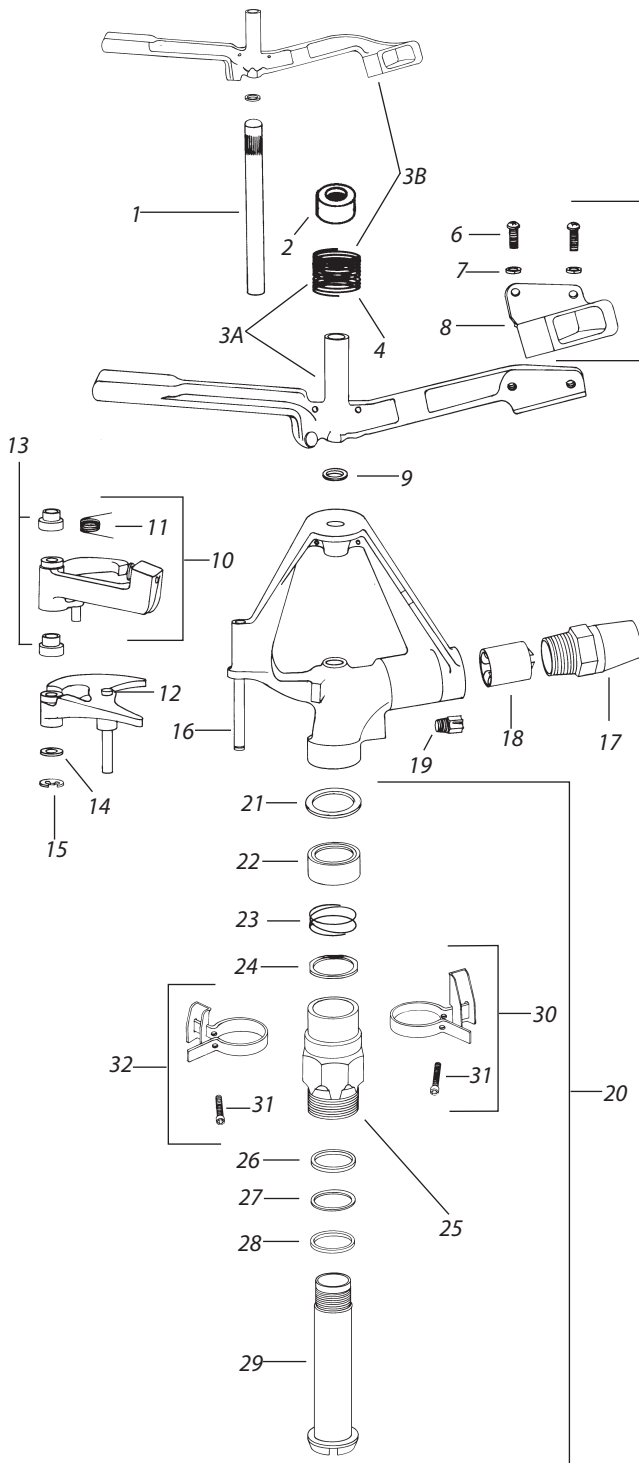


Ref.	Part Description	85EH		85EPSH	
		85EHD	85E-TNT	85EPS-TNT	85EPSH-LA
		85EWH	85EWPSH	85EWSH-LA	85EHD-BSP
UPPER ASSEMBLY					
1	Fulcrum Pin	100430	100430	100430	100430
2	Arm Washer (2)	100432	100432	100432	100432
3	Arm Spring Assembly	116018	116018	116018	116018
4	Arm Spring	100431	100431	100431	100431
TRIP MECHANISM					
5	Trip Assembly, Upper	100707	100707	100707	111130
6	Trip Spring	112858	112858	112858	112858
7	Trip Assembly, Lower	105856	105856	105856	111129
8	Spacer Washers (2)	100376	100376	100376	100376
9	E-Ring	100377	100377	100377	100377
10	Trip Shaft	(108321)	(108321)	(108321)	(108321)
NOZZLES (Specify nozzle size when ordering)					
11	Range Nozzle	103043	103043	103043	103043
12	Body Vane	101275	101275	101275	101275
11	Low Pressure Nozzle	108149	108149	108149	108149
13	20 Deg. Spreader Nozzle	100226-14	100226-14	—	—
—	Nozzle Plug	100255	100255	—	—
BEARING ASSEMBLY					
—	Bearing Assy (Old TNT Style) (A) (101697)	(A) (101697)	(A) (103125)	(A) (103125)	—
14	Top Seal Washer, Upper (Blk)	—	103467	103467	—
15	Brass Top Seal Washer	103465	103465	103465	—
16	Bearing Spring	100449	100449	100449	—
—	PTFE Top Seal Washer (Wht)	100444	—	—	—
17	Top Seal Washer, Lower (Blk)	—	103466	103466	—
18	Bearing Sleeve (A) (100907)	(A) (100907)	(A) (103126)	(A) (103126)	—
—	T Wearing Ring (Orange)	—	(103128)	(103128)	—
21	Bearing Washer (Fiber) (100129)	(100129)	(103448)	(103448)	—
22	Bearing Nipple (A) (100434)	(A) (100434)	(A) (100447)	(A) (100447)	—
23	Friction Collars (2)	100904	100904	100904	—
—	Bearing Assy (New H Style) (B)	111136	111136	111136	116051
14	Top Seal Washer, Upper (Black)	104638	104638	104638	104638
15	Brass Top Seal Washer	113098	113098	113098	113098
16	Bearing Spring	100449	100449	100449	—
17	Top Seal Washer, Lower (Black)	113309	113309	113309	113309
18	Bearing Sleeve	(113097)	(113907)	(113907)	(116053)
19	Bearing Washer (Black)	(113099)	(113099)	(113099)	(113099)
20	Wear Washer (Orange)	104639	104639	104639	104639
21	Bearing Washer, Seal (Gray)	104638	104638	104638	104638
22	Bearing Nipple	113096	113096	113096	113096
23	Friction Collars (2)	100904	100904	100904	100904

(A) Not available. Use H Bearing Assembly # 117376.

(B) BSP Bearing Assembly is #105441

Note: Part numbers enclosed in brackets () are not available individually, but may be sold in assemblies or kits.



Ref.	Part Description	85EHD		
		85EHD-LA	85EWHD	85EHD-LA-BSP
UPPER ASSEMBLY				
1	Fulcrum Pin	100430	100430	100430
2	Arm Hood	108556	108556	108556
3A	Arm Spring Assy HD (Less Spoon)	113877	—	113877
4	Arm Spring	100431	—	100431
5	Detachable Spoon Kit HD	113878	—	113878
6	Screw (2)	(111204-02)	—	(111204-02)
7	Washer (2)	(111809)	—	(111809)
8	Spoon	(111804)	—	(111804)
3B	Arm Spring Assy HD (One Piece)	—	116018	—
4	Arm Spring	—	100431	—
9	Arm Washer	100432	100432	100432
TRIP MECHANISM				
10	Trip Assembly, Upper	111130	111130	111130
11	Trip Spring	112858	112858	112858
12	Trip Assembly, Lower	111129	111129	111129
13	Trip Hood (2)	111812	111812	111812
14	Spacer Washer	100376	100376	100376
15	E-Ring	100377	100377	100377
16	Trip Shaft	(108321)	(108321)	(108321)
NOZZLES (Specify nozzle size when ordering)				
17	Range Nozzle	103043	103043	103043
18	Body Vane	101275	101275	101275
18	Low Pressure Nozzle	108149	108149	108149
19	Spreader Nozzle, 20Deg. (85ES)	—	100226-14	—
—	Nozzle Plug (85EW)	—	100255	—
BEARING ASSEMBLY				
20	Bearing Assembly	111136	111136	116051
21	Seal Washer (Gray)	(A) 104638	104638	104638
22	Bearing Hood (Black)	(A) (113098)	(113098)	(113098)
23	Bearing Spring	100449	100449	100449
24	Wear Washer, Top (Black)	(A) (113309)	(113309)	(113309)
25	Bearing Sleeve	(113097)	(113097)	116053
26	Bearing Washer (Black)	(A) (113099)	(113099)	(113099)
27	Wear Washer (Orange)	(A) 104639	104639	104639
28	Bearing Washer, Seal (Gray)	(A) (113100)	(113100)	(113100)
29	Bearing Nipple	(113096)	(113096)	(113096)
30	Friction Collars (Top)	107959-01	107959-01	107959-01
31	Screw	111126	111126	111126
32	Friction Collars (Bottom)	107960-01	107960-01	107960-01
31	Screw	111126	111126	111126

(A) Included in Bearing Washer Kit # 113879.

Note: Part numbers enclosed in brackets () are not available individually, but may be sold in assemblies or kits.