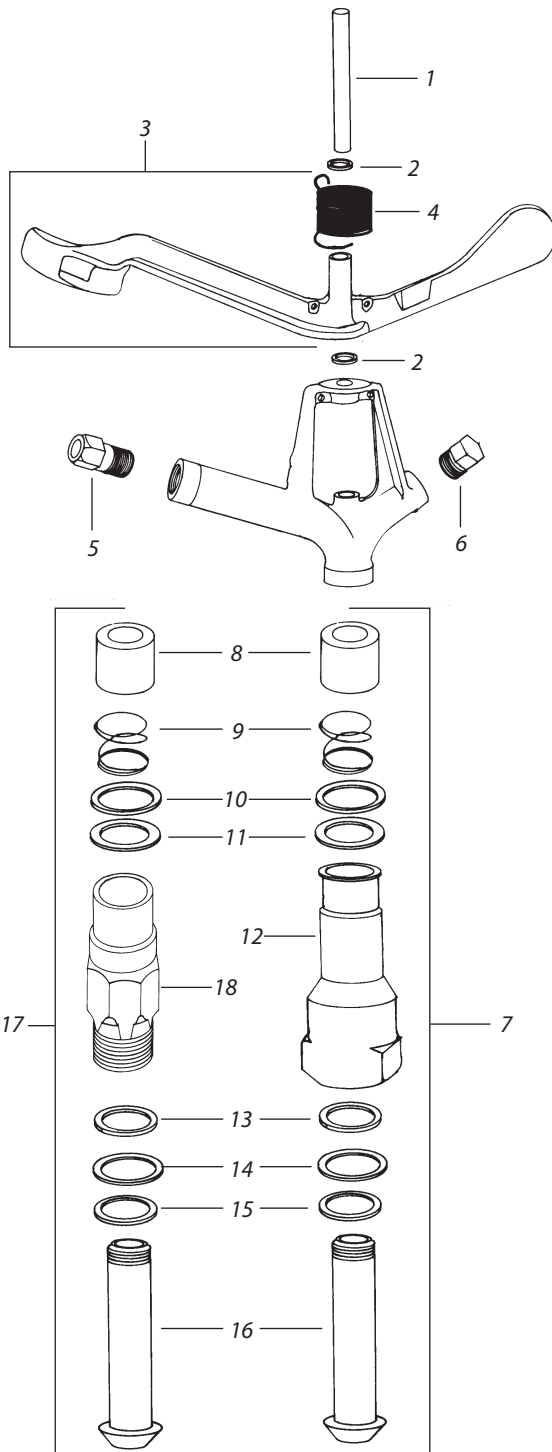


70EH / 70 E TNT / 70EWH / 70EW TNT / 70ESPH  
70ESP TNT / 70CWH / 70CW TNT / 70CSPH / 70CSP TNT



Ref.	Part Description	70EWH	70CWH	70CSPH
		70EW TNT	70CW TNT	
		70EH	70ESP	70CSP
		70E TNT	70ESP TNT	70CSP TNT
<b>UPPER ASSEMBLY</b>				
1	Fulcrum Pin	100348	100348	100348
2	Arm Washer (2)	100163	100163	100163
3	Arm Spring Assembly (A)	-	105879	105879
4	Arm Spring	100369	100369	100369
<b>NOZZLES (Specify nozzle size when ordering)</b>				
5	Straight Bore	100382	100382	100382
6	Plug	-	100417	100417
-	Bushing	-	100418	100418
-	20 Degree Spreader Nozzle	-	100226-08	100226-08
-	Spreader Nozzle Assembly	(100407)	-	-
-	Body Vane	100695	100695	100695
<b>BEARING ASSEMBLY</b>				
7	Bearing Assy (Female H Style)(NPT Assy)	104041	104041	104041
8	Bearing Hood	103119	103119	103119
9	Bearing Spring	100620	100620	100620
10	Metal Top Seal Washer	100312	100312	100312
11	Top Seal Washer (White)	103115	103115	103115
12	Bearing Sleeve (NPT)	105907	104040	104040
13	Bearing Washer (Black)	104038	104038	104038
14	Wear Washer (Orange)	104037	104037	104037
15	Bearing Washer (Black)	104038	104038	104038
16	Bearing Nipple	100390	100390	100390
17	Bearing Assy (Male H Style)(NPT Assy)	108726	108726	108726
8	Bearing Hood	103119	103119	103119
9	Bearing Spring	100620	100620	100620
10	Metal Top Seal Washer	100312	100312	100312
11	Top Seal Washer (White)	103115	103115	103115
18	Bearing Sleeve	(108725)	(108725)	(108725)
13	Bearing Washer (Black)	104038	104038	104038
14	Wear Washer (Orange)	104037	104037	104037
15	Bearing Washer (Black)	104038	104038	104038
16	Bearing Nipple	100390	100390	100390
-	Bearing Assy (Male or Female TNT Style)			
8	Bearing Hood	103119	103119	103119
9	Bearing Spring	100620	100620	100620
10	Metal Top Seal Washer	100312	100312	100312
11	Top Seal Washer (Black)	103115	103115	103115
12\18	Bearing Sleeve	(B)	(B)	(B)
13	Wearing Ring (T-Ring)(Orange)	100389	100389	100389
14	Bearing Seal Washer (Black)	101323	101323	101323
15	Wear Washer (Black)	104038	104038	104038
16	Bearing Nipple	100390	100390	100390

(A) Old style 70E arm is not available. Only replacement is 70EW arm spring # (102562).

(B) When replacing older TNT style bearing sleeve use MALE

H bearing assembly

P/N 108726, or use FEMALE H bearing sleeve P/N 104040(NPT) or (104070)(BSP).

With H bearing sleeve also install 2 washers P/N 104038 and 1 washer P/N 104037.

Call Ag customer service to order parts at 1-800-435-5624.

Note: Part numbers enclosed in brackets ( ) are not available individually, but may be sold in assemblies or kits.