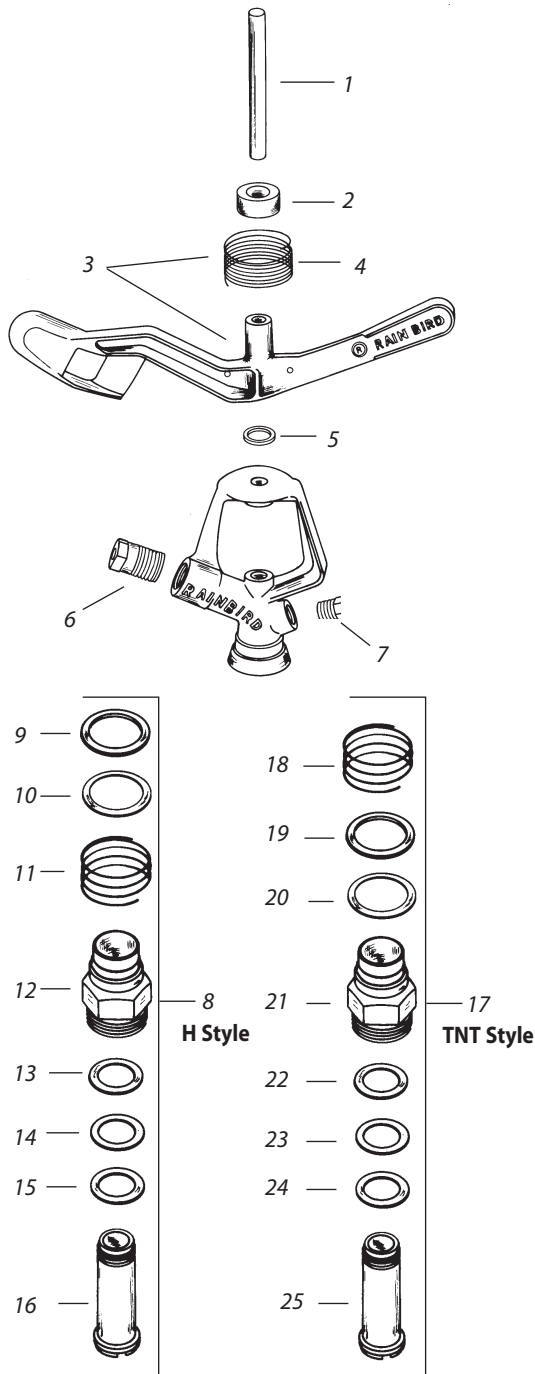


30B TNT / 30BW TNT / 30BH
30BEH / 30BWH / 30BEWH



| Ref. | Part Description | 30B TNT 30BW TNT | 30B H 30BE H 30BW H 30BEW H |
|----------------------------------------------------|----------------------------------|---------------------|--------------------------------------|
| UPPER ASSEMBLY | | | |
| 1 | Fulcrum Pin | 100271 | 100271 |
| 2 | Arm Hood | 100968 | 100968 |
| 3 | Arm Spring Assembly | 104236 | 104236 |
| 4 | Arm Spring | 100305 | 100305 |
| 5 | Arm Washer | 100270 | 100270 |
| NOZZLES (Specify nozzle size when ordering) | | | |
| 6 | Straight Bore | 105842 | 105842 |
| - | Straight Bore w/Vane (E Model) | - | 106131 |
| - | Keyhole | 106353 | 106353 |
| 7 | Spreader 7 Degree | 100225 | 100225 |
| 7 | Spreader 20 Degree | 100226 | 100226 |
| - | Rain Flow | 111089 | 111089 |
| 7 | Spreader Plug (W Model) | 100255 | 100255 |
| - | Vane (E Model) | 105816 | 105816 |
| BEARING ASSEMBLY | | | |
| 8 | Bearing Assembly (H Style) | 104761 | 104761 |
| 9 | Top Seal Washer (White) | 100313 | 100313 |
| 10 | Metal Top Seal Washer | 100312 | 100312 |
| 11 | Bearing Spring | 106237 | 106237 |
| 12 | Bearing Sleeve | 103670 | 103670 |
| 13 | Bearing Washer (Black) | 100726 | 100726 |
| 14 | Wear Washer (White) | 104762 | 104762 |
| 15 | Seal Washer (Gray) | 102345 | 102345 |
| 16 | Bearing Nipple | 103669 | 103669 |
| 17 | Bearing Assembly (Old TNT Style) | (A) | - |
| 18 | Bearing Spring | 106237 | - |
| 19 | Top Seal Washer (White) | 100313 | - |
| 20 | Metal Top Seal Washer | 100312 | - |
| 21 | Bearing Sleeve | (A) (102486) | - |
| 22 | Wear Washer (T-Ring)(Orange) | 102076 | - |
| 23 | Bearing Washer (Black) | 100726 | - |
| 24 | Seal Washer (Gray) | 102345 | - |
| 25 | Bearing Nipple | (A) (100316) | - |

(A) Not Available. Use Bearing Assembly # 104761. (H Style)

Note: Part numbers enclosed in brackets () are not available individually, but may be sold in assemblies or kits.