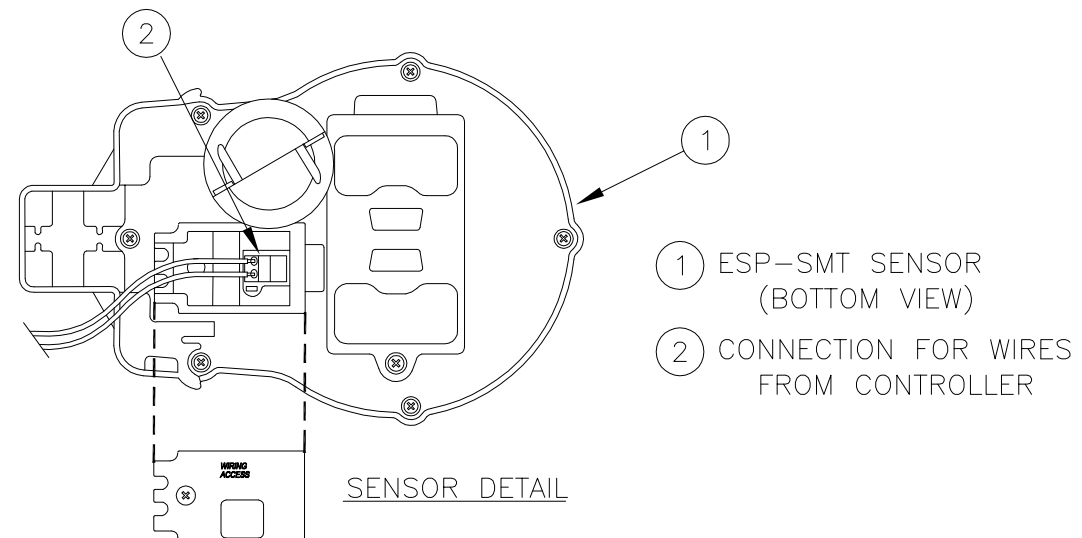
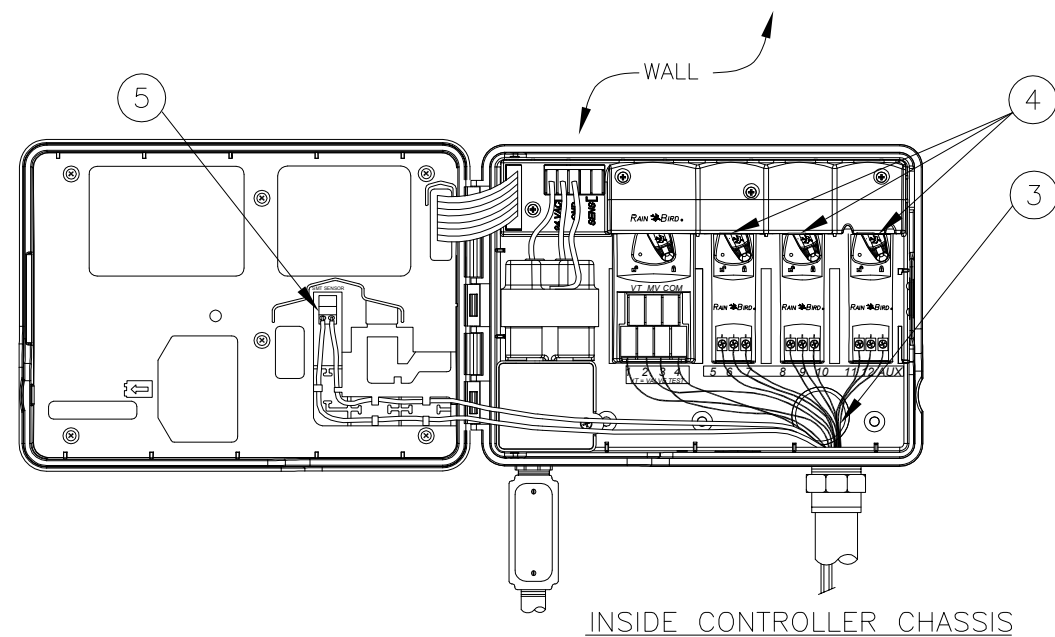


- ① RAIN BIRD ESP-SMT4 OUTSIDE WALL MOUNT
- ② 1-INCH PVC SCH 40 CONDUIT AND FITTINGS
- ③ WIRES TO REMOTE CONTROL VALVES AND SENSOR
- ④ OPTIONAL MODULES FOR 13-STATION CONTROLLER
- ⑤ CONNECTION FOR WIRES FROM SENSOR
- ⑥ JUNCTION BOX
- ⑦ 1/2-INCH PVC SCH 40 CONDUIT TO POWER SUPPLY



NOTE:
WIRE LENGTH FROM CONTROLLER
TO SENSOR NOT TO EXCEED 200
FEET.

D ESP-SMT SMART CONTROL SYSTEM
N.T.S. (OUTDOOR)

8-27-09