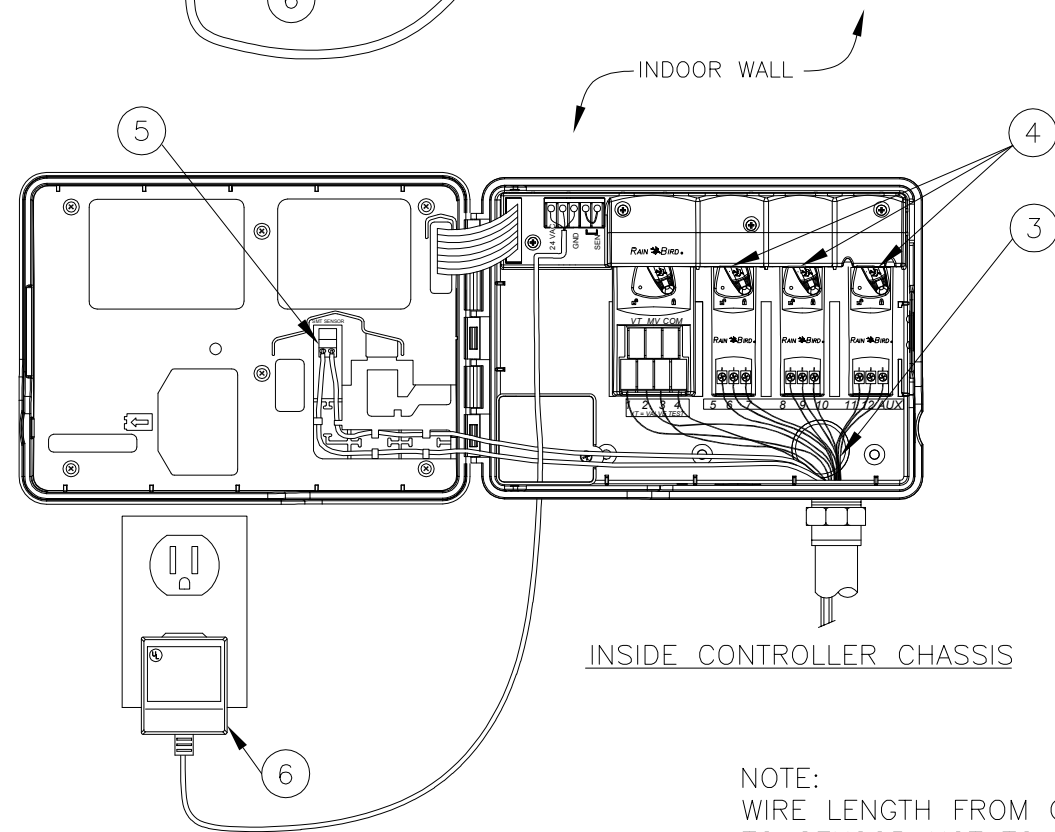
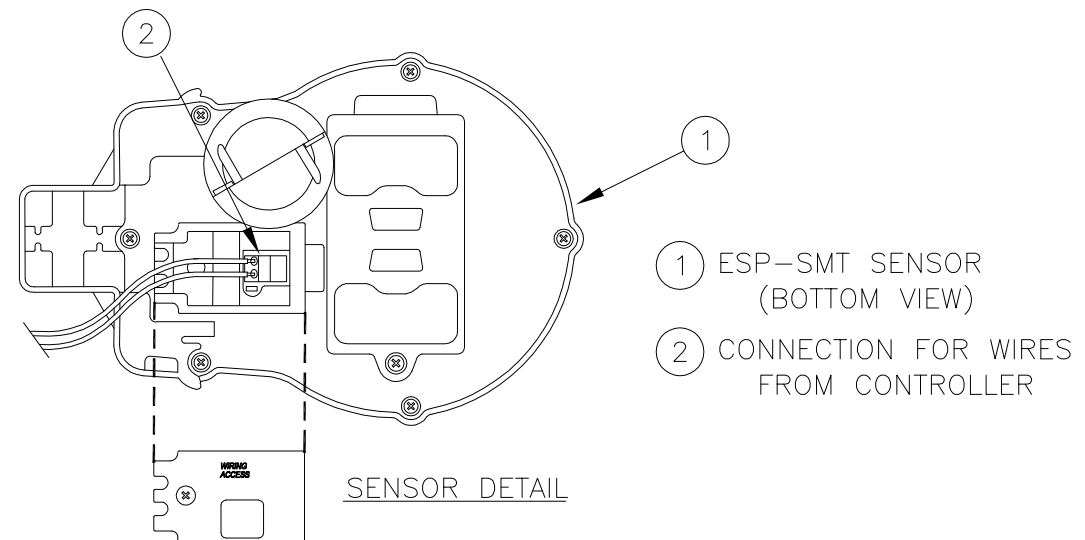


- ① RAIN BIRD ESP-SMT4i
INSIDE WALL MOUNT
- ② 1-INCH PVC SCH 40 CONDUIT
AND FITTINGS
- ③ WIRES TO REMOTE CONTROL
VALVES AND SENSOR
- ④ OPTIONAL MODULES FOR
13-STATION CONTROLLER
- ⑤ CONNECTION FOR WIRES
FROM SENSOR
- ⑥ 120 VAC, 60 HZ EXTERNAL
PLUG-IN TRANSFORMER



NOTE:
WIRE LENGTH FROM CONTROLLER
TO SENSOR NOT TO EXCEED 200
FEET.



- ① ESP-SMT SENSOR
(BOTTOM VIEW)
- ② CONNECTION FOR WIRES
FROM CONTROLLER

D ESP-SMT SMART CONTROL SYSTEM
N.T.S. (INDOOR)

8-27-09