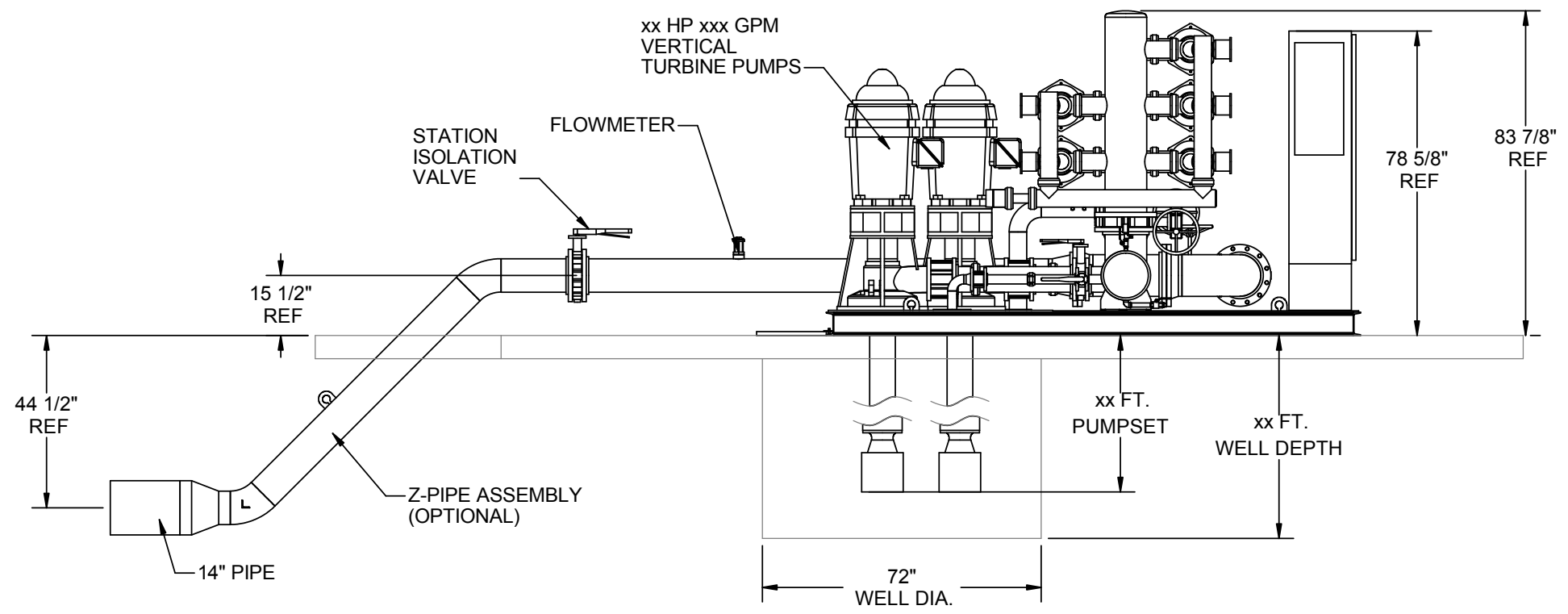


POWER: 460/60/3 V/HZ/PH
SERVICE REQ: xxx A
FLOW: xxxx GPM
PRESSURE: xxx PSI



GENERAL ARRANGEMENT APPROVAL

SIGNATURE _____

DATE _____

TITLE _____

PUMPSET APPROVAL

SIGNATURE _____

DATE _____

TITLE _____

DO NOT SCALE DRAWING

NOTICE: THIS DRAWING EMBODIES A CONFIDENTIAL PROPRIETARY DESIGN ORIGINATED BY RAIN BIRD CORPORATION. ALL DESIGN, MANUFACTURING, USE AND SALE RIGHTS REGARDING THE SAME ARE EXPRESSLY RESERVED. IT IS SUBMITTED UNDER A CONFIDENTIAL RELATIONSHIP FOR A SPECIFIC PURPOSE AND THE RECIPIENT AGREES BY ACCEPTING THIS DRAWING NOT TO SUPPLY OR DISCLOSE ANY INFORMATION REGARDING IT TO ANY UNAUTHORIZED PERSON, OR TO INCORPORATE IN OTHER PROJECTS ANY SPECIAL FEATURE UNIQUE TO THIS DESIGN. ALL PATENT RIGHTS HERETO ARE EXPRESSLY RESERVED.

SYMBOLS

() - REFERENCE

R - RADIUS

SR - SPHERICAL RADIUS

S Ø - SPHERICAL DIAMETER

□ - SQUARE

LAST MODIFIED IN VERSION: SolidWorks 2004	UNLESS OTHERWISE SPECIFIED:	DRAWN EGH	DATE 05/04/05	SUPERCEDES
FILENAME:		DESIGNED EGH	DATE 05/04/05	SCALE 1:40
		CHECKED XX	DATE XX/XX/XX	MATERIAL
		APPR XX	DATE XX/XX/XX	MOLD NO(S)
		RELEASED XX	DATE XX/XX/XX	WT XXXXXX
NEXT ASSY.	USED ON	DWG SYMBOLS PER ANSI	ACT: XXX	XXXXXX

PARTS LIST			PROJECT NO.	FIRST USED ON
RAIN BIRD CORP. SYSTEMS MFG. DIV. TUCSON, ARIZONA				
DRAWN FOR 3 PUMP DESIGN			DRAWING NUMBER	
TITLE 3-xx HP PUMP STATION VT3xx05460			SIZE	PART NO.
			REV.	
SHEET 1 OF 1				