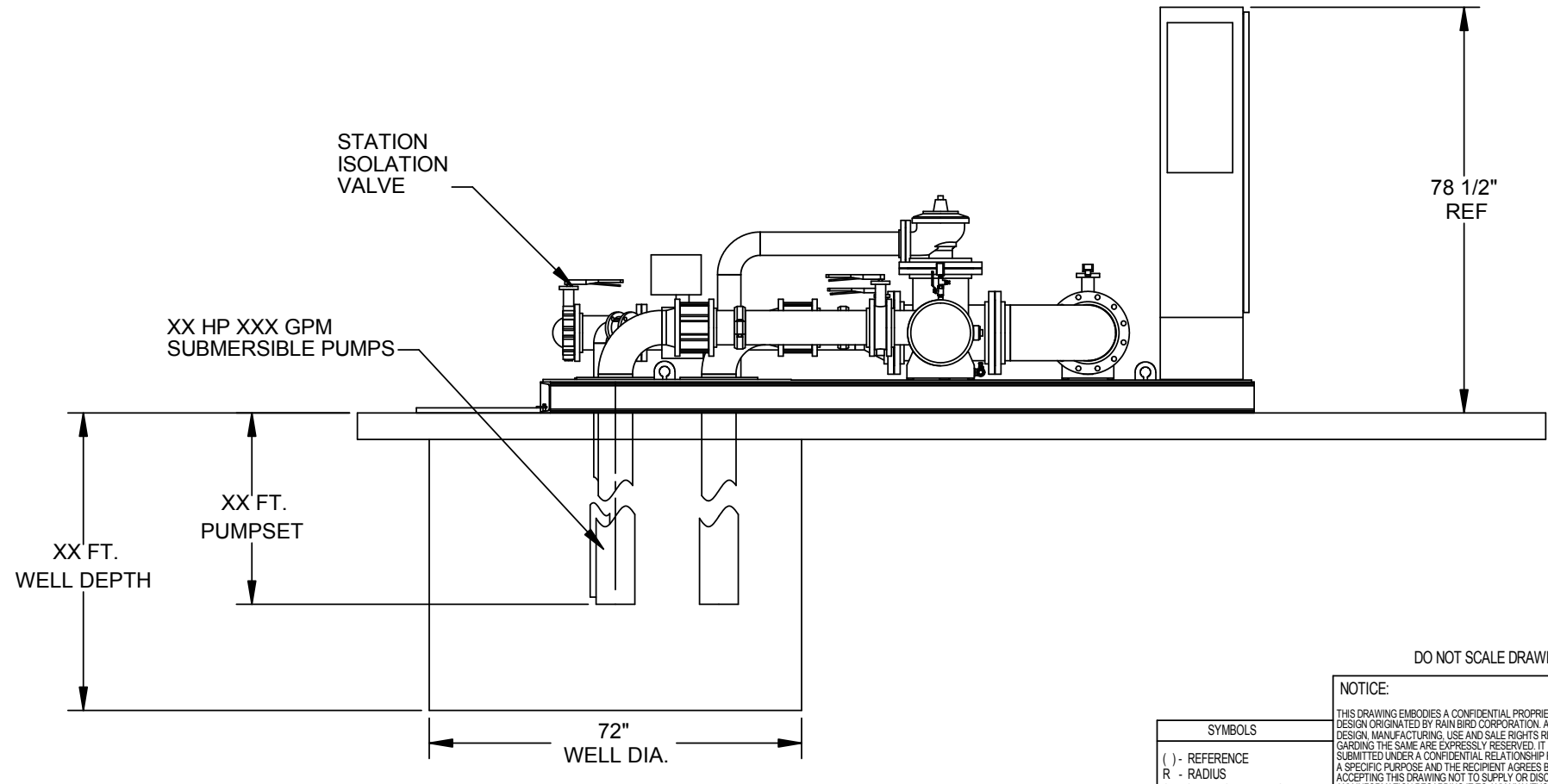


VOLTAGE: 460 V
PHASE: 3
SERVICE REQ: XXX A
FLOW: XXXX GPM
PRESSURE: XXX PSI



GENERAL ARRANGEMENT APPROVAL

SIGNATURE _____

DATE _____

TITLE _____

PUMPSET APPROVAL

SIGNATURE _____

DATE _____

TITLE _____

DO NOT SCALE DRAWING

NOTICE:
 THIS DRAWING EMBODIES A CONFIDENTIAL PROPRIETARY DESIGN ORIGINATED BY RAIN BIRD CORPORATION. ALL DESIGN, MANUFACTURING, USE AND SALE RIGHTS REGARDING THE SAME ARE EXPRESSLY RESERVED. IT IS SUBMITTED UNDER A CONFIDENTIAL RELATIONSHIP FOR A SPECIFIC PURPOSE AND THE RECIPIENT AGREES BY ACCEPTING THIS DRAWING NOT TO SUPPLY OR DISCLOSE ANY INFORMATION REGARDING IT TO ANY UNAUTHORIZED PERSON, OR TO INCORPORATE IN OTHER PROJECTS ANY SPECIAL FEATURE UNIQUE TO THIS DESIGN. ALL PATENT RIGHTS HERETO ARE EXPRESSLY RESERVED.

SYMBOLS
 () - REFERENCE
 R - RADIUS
 SR - SPHERICAL RADIUS
 S Ø - SPHERICAL DIAMETER
 □ - SQUARE

LAST MODIFIED IN VERSION: SolidWorks 2004		DRAWN		DATE	SUPERCEDES		PROJECT NO.		FIRST USED ON
FILENAME:	DESIGNED	DRT	DATE	SCALE	MATERIAL		RAIN BIRD CORP. SYSTEMS MFG. DIV.		
	EGH		04/25/05	1:32			TUCSON, ARIZONA		
	CHECKED	XX	DATE	XXXXXXX	MOLD NO(S)		DRAWN FOR		
	APPR	XX	DATE	XXXXXXX	XXXXXX		3 PUMP SUBMERSIBLE		
	APPR	XX	DATE	XXXXXXX	WT		TITLE		
	RELEASED	XX	DATE	XXXXXXX	CALC: xxx		3-XX HP PUMP STATION		
					ACT: xxx		VS3XX05460		
NEXT ASSY.	USED ON	DWG SYMBOLS PER ANSI			XXXXXX		DRAWING NUMBER		
					XXXXXX		SIZE		
							PART NO.		
							REV.		
							SHEET 1 OF 1		