

DO NOT SCALE DRAWING

SYMBOLS	
()	REFERENCE
R	RADIUS
SR	SPHERICAL RADIUS
SØ	SPHERICAL DIAMETER
□	SQUARE

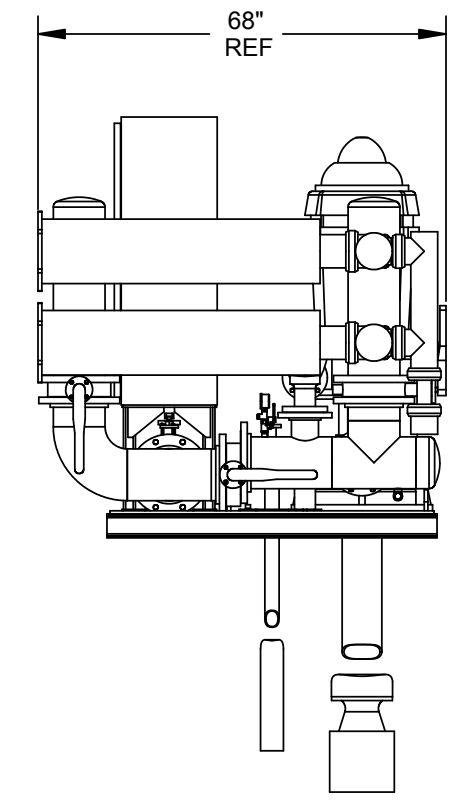
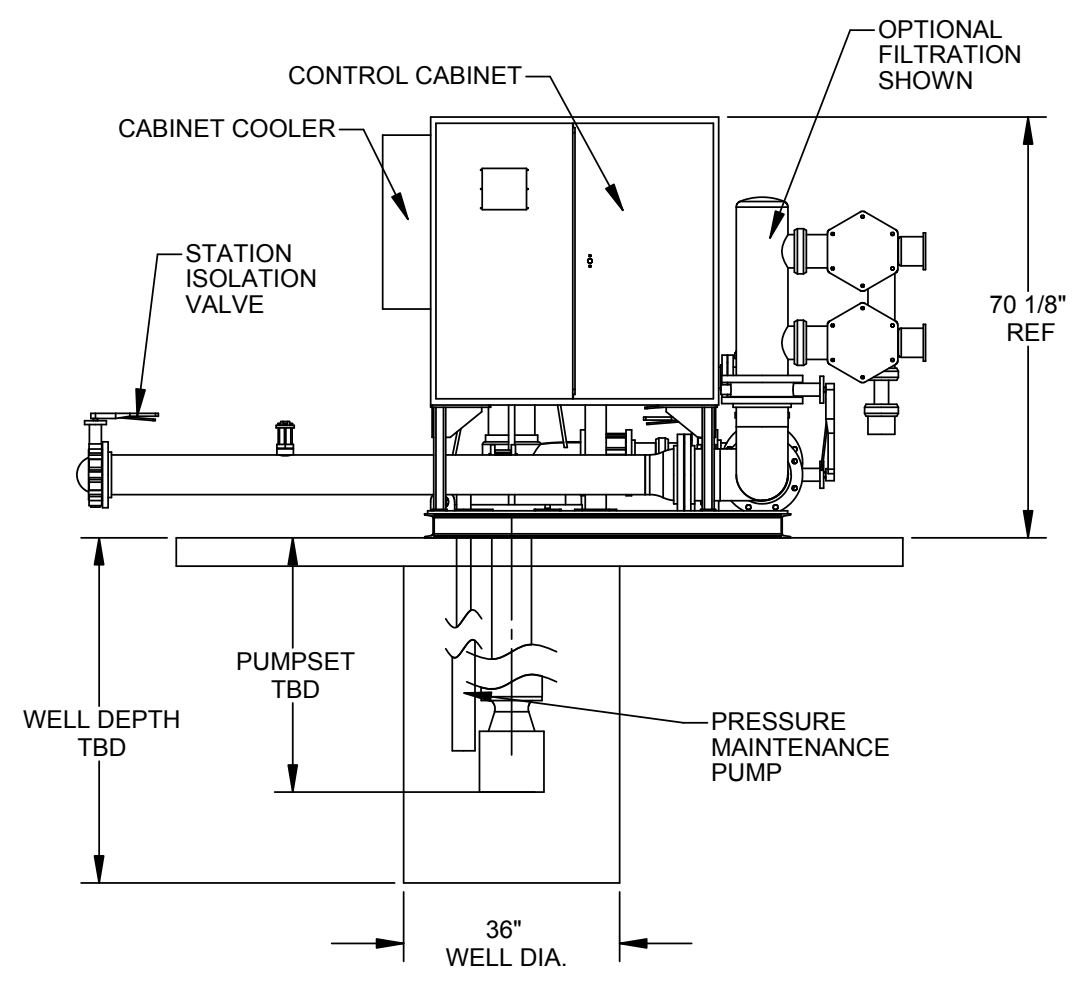
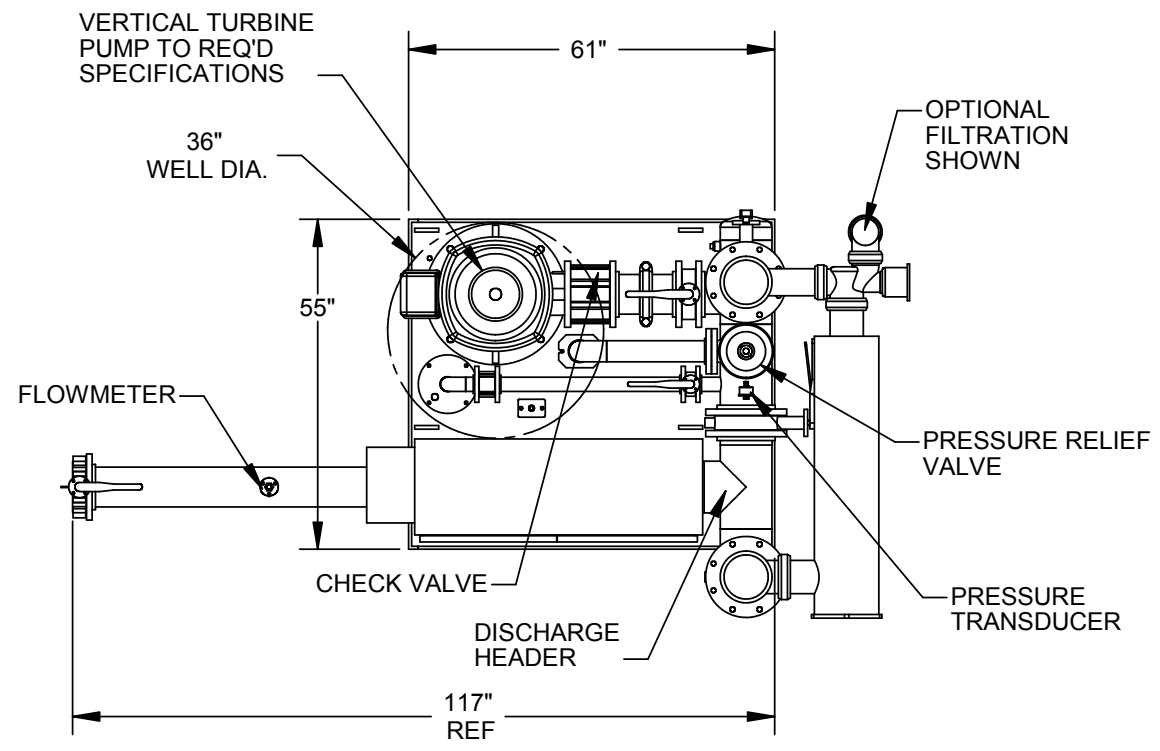
NOTICE:
THIS DRAWING EMBODIES A CONFIDENTIAL PROPRIETARY DESIGN ORIGINATED BY RAIN BIRD CORPORATION. ALL DESIGN, MANUFACTURING, USE AND SALE RIGHTS REGARDING THE SAME ARE EXPRESSLY RESERVED. IT IS SUBMITTED UNDER A CONFIDENTIAL RELATIONSHIP FOR A SPECIFIC PURPOSE AND THE RECIPIENT AGREES BY ACCEPTING THIS DRAWING NOT TO SUPPLY OR DISCLOSE ANY INFORMATION REGARDING IT TO ANY UNAUTHORIZED PERSON, OR TO INCORPORATE IN OTHER PROJECTS ANY SPECIAL FEATURE UNIQUE TO THIS DESIGN. ALL PATENT RIGHTS HERETO ARE EXPRESSLY RESERVED.

LAST MODIFIED IN VERSION: SolidWorks 2004	
FILENAME:	
NEXT ASSY.	USED ON

UNLESS OTHERWISE SPECIFIED:	DWG SYMBOLS PER ANSI
-----------------------------	----------------------

DRAWN	EGH	DATE	SUPERCEDES
DESIGNED	EGH	09/29/04	SCALE 1:32
CHECKED	XX	DATE XXXXXX	MATERIAL
APPR.	XX	DATE XXXXXX	MOLD NO(S)
APPR.	XX	DATE XXXXXX	WT
RELEASED	XX	DATE XXXXXX	CALC: xxx
			ACT: xxx

PARTS LIST				PROJECT NO.	FIRST USED ON
RAIN BIRD CORP. SYSTEMS MFG. DIV. TUCSON, ARIZONA					
DRAWN FOR				DRAWING NUMBER	
TITLE				SIZE PART NO. REV.	
1 PUMP VERTICAL PUMP STATION				SHEET 1 OF 2	



DO NOT SCALE DRAWING

SYMBOLS	
()	REFERENCE
R	RADIUS
SR	SPHERICAL RADIUS
S Ø	SPHERICAL DIAMETER
□	SQUARE

NOTICE:
THIS DRAWING EMBODIES A CONFIDENTIAL PROPRIETARY DESIGN ORIGINATED BY RAIN BIRD CORPORATION. ALL DESIGN, MANUFACTURING, USE AND SALE RIGHTS REGARDING THE SAME ARE EXPRESSLY RESERVED. IT IS SUBMITTED UNDER A CONFIDENTIAL RELATIONSHIP FOR A SPECIFIC PURPOSE AND THE RECIPIENT AGREES BY ACCEPTING THIS DRAWING NOT TO SUPPLY OR DISCLOSE ANY INFORMATION REGARDING IT TO ANY UNAUTHORIZED PERSON, OR TO INCORPORATE IN OTHER PROJECTS ANY SPECIAL FEATURE UNIQUE TO THIS DESIGN. ALL PATENT RIGHTS HERETO ARE EXPRESSLY RESERVED.

LAST MODIFIED IN VERSION: SolidWorks 2004	
FILENAME:	
NEXT ASSY.	USED ON

UNLESS OTHERWISE SPECIFIED:	DWG SYMBOLS PER ANSI
-----------------------------	----------------------

DRAWN	DATE	SUPERCEDES
EGH	09/29/04	
DESIGNED	DATE	SCALE
EGH	09/29/04	1:32
CHECKED	DATE	MATERIAL
XX	XXXXXX	
APPR.	DATE	MOLD NO(S)
XX	XXXXXX	XXXXXX
APPR.	DATE	WT
XX	XXXXXX	
RELEASED	DATE	CALC.
XX	XXXXXX	xxx
		ACT.
		xxx

PARTS LIST		PROJECT NO.	FIRST USED ON
RAIN BIRD CORP. SYSTEMS MFG. DIV. TUCSON, ARIZONA			
DRAWN FOR		DRAWING NUMBER	
TITLE		SIZE	PART NO.
1 PUMP VERTICAL PUMP STATION			REV.
		SHEET 2 OF 2	