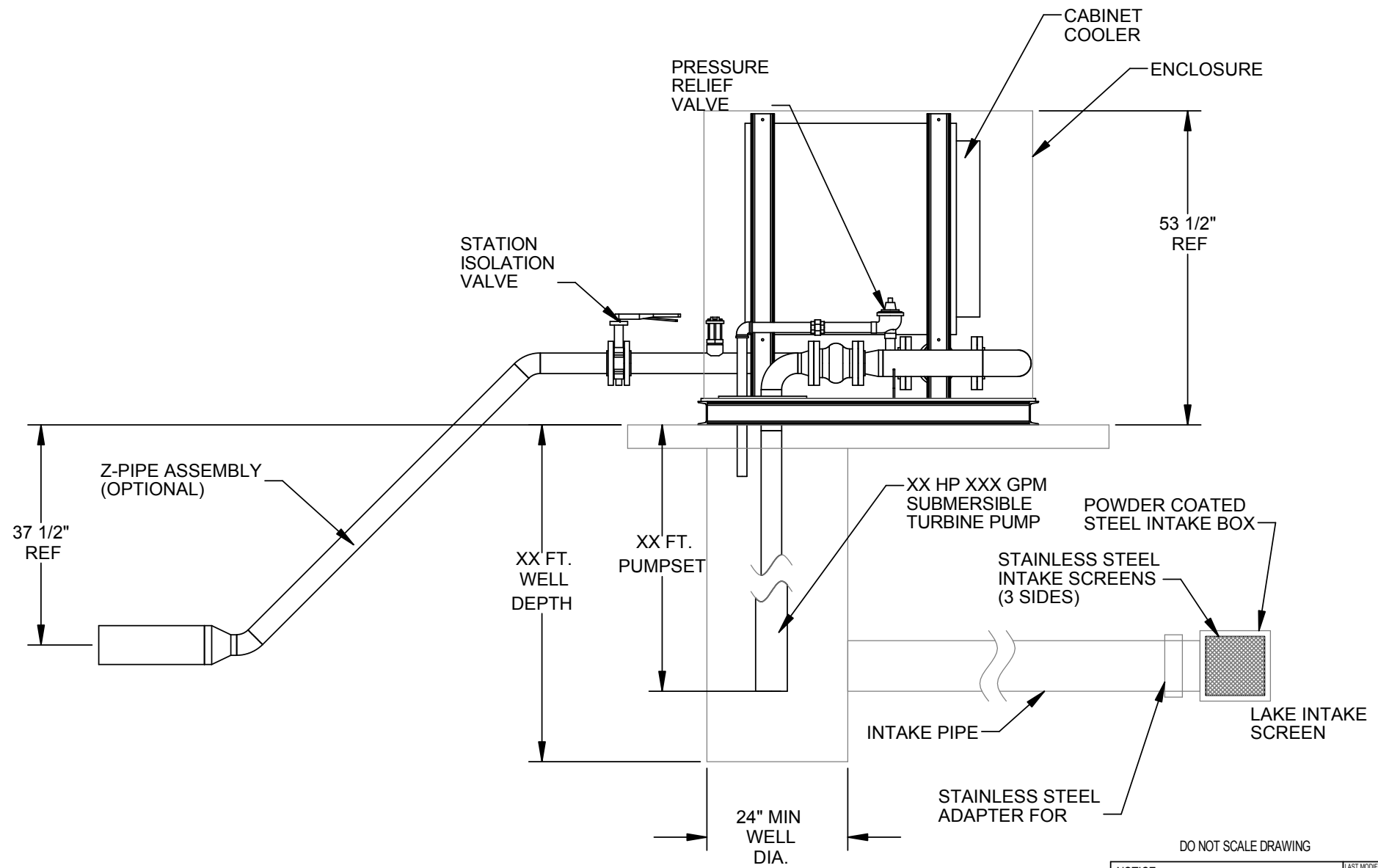


VOLTAGE: 460 V
 PHASE: 3
 FULL LOAD AMP: XX A
 SERVICE REQ: XX A
 FLOW: XXX GPM
 PRESSURE: XX PSI



GENERAL ARRANGEMENT APPROVAL

SIGNATURE _____

DATE _____

TITLE _____

PUMPSET APPROVAL

SIGNATURE _____

DATE _____

TITLE _____

DO NOT SCALE DRAWING

SYMBOLS

() - REFERENCE

R - RADIUS

SR - SPHERICAL RADIUS

S Ø - SPHERICAL DIAMETER

□ - SQUARE

NOTICE:

THIS DRAWING EMBODIES A CONFIDENTIAL PROPRIETARY DESIGN ORIGINATED BY RAIN BIRD CORPORATION. ALL DESIGN, MANUFACTURING, USE AND SALE RIGHTS REGARDING THE SAME ARE EXPRESSLY RESERVED. IT IS SUBMITTED UNDER A CONFIDENTIAL RELATIONSHIP FOR A SPECIFIC PURPOSE AND THE RECIPIENT AGREES BY ACCEPTING THIS DRAWING NOT TO SUPPLY OR DISCLOSE ANY INFORMATION REGARDING IT TO ANY UNAUTHORIZED PERSON, OR TO INCORPORATE IN OTHER PROJECTS ANY SPECIAL FEATURE UNIQUE TO THIS DESIGN. ALL PATENT RIGHTS HERETO ARE EXPRESSLY RESERVED.

LAST MODIFIED IN VERSION: SolidWorks 2004

FILENAME:

DESIGNED	EGH	DATE	10/07/05
CHECKED	XXX	DATE	XXXXXXXX
APPR	XX	DATE	XXXXXXXX
APPR	XX	DATE	XXXXXXXX
RELEASED	XX	DATE	XXXXXXXX

DRAWN	DRT	DATE	03/30/06
DESIGNED	EGH	DATE	10/07/05
CHECKED	XXX	DATE	XXXXXXXX
APPR	XX	DATE	XXXXXXXX
APPR	XX	DATE	XXXXXXXX
RELEASED	XX	DATE	XXXXXXXX

UNLESS OTHERWISE SPECIFIED:	DWG SYMBOLS PER ANSI
SUPERCEDES	SCALE 1:24
MATERIAL	MOLD NO(S)
WT	XXXXXX
CALC: xxx	XXXXXX
ACT: xxx	XXXXXX

RAIN BIRD CORP. SYSTEMS MFG. DIV.
 TUCSON, ARIZONA

DRAWN FOR: 1 PUMP SUBMERSIBLE

TITLE: 1-XX HP PUMP STATION VS1XX00460

PARTS LIST

PROJECT NO.	FIRST USED ON
DRAWING NUMBER	SIZE PART NO. REV.
SHEET 1 OF 1	