

### EASY RAIN™

## No Power...No Problem

The Easy Rain™ battery-operated single-valve controller is a professional system designed to automate irrigation on a site where no AC power is available. The quick-installation and easy-to-use design make the Easy Rain the perfect choice for watering isolated sites, AC restricted or wireless areas, drip zones and greenhouses, and for repairs, testing, and provisional operation of AC powered irrigation systems during power interruption.

#### Features

- Operates with any top-grade 9V alkaline battery for applications with no AC power supply. (Duracell™, Energizer™, etc.)
- Factory pre-wired with a DC latching solenoid in a plastic adapter which hand-screws onto most Rain Bird valves for quick and easy out-of-the box installation.
- Program module mounts directly on solenoid adapter for easy installation.
- Pre-wired cable, over 20 inches (50,8 cm) long, allows programming outside of valve box.
- One programming knob to access all functions for programming ease.
- Choice of 6 calendars and cycles for scheduling flexibility.
- Choice of 7 run times for diverse watering requirements.
- Soak time (4 hours) between the double cycles (2X) for special terrain and applications.
- Easy-to-use manual start/stop function.
- Standby function prevents unnecessary irrigation during rainy weather.
- Resin-encased electronic components, silicone-filled cavities, and waterproof battery compartment with screw-on cap allow operation even in flooded valve boxes.
- Incorporates TBOS (formerly UNIK™) technology for field-proven reliability.
- Handy "Cycle Indicator" reminds you of the calendar/cycle selected in the controller's program

#### Operating Specifications

- Valve capacity: 1
- Valve compatibility: Rain Bird DV, ASVE, PGA, PEB, PESB, GB, EFB-CP, BPE and BPES valves
- Start time: Selectable from 0, 2, 4, 6, 8, 10, or 12 hours after battery installation.
- Calendar (Cycles):

Single cycle every 24 hours	(1X 24h)
Single cycle every 48 hours	(1X 48h)
Single cycle every 72 hours	(1X 72h)
Double cycle every 24 hours	(2X 24h)
Double cycle every 48 hours	(2X 48h)
Double cycle every 72 hours	(2X 72h)

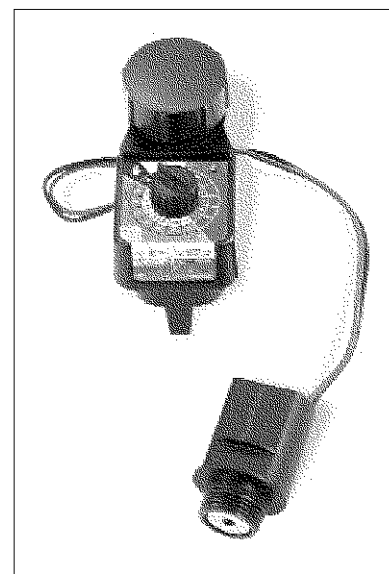
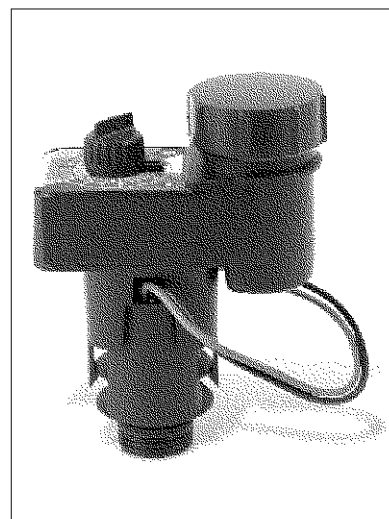
Note: Double cycle equals full run time, 4-hour soak, full run time again.
- Run times:

2, 5, 10, 15, 30, 60, or 90 minutes
-------------------------------------

Note: Under double cycle (2X) calendar, total watering time is twice the run time for a maximum of 180 minutes.
- Soak time: 4 hours  
Note: Double cycles (2X) only
- Default program: The controller will irrigate for the selected run time indicated by the programming dial every day starting 8 hours after battery installation if the controller has been programmed incorrectly. The default program will only run if the programming dial is positioned on a run time.  
Note: If a start time is not validated, the default program will begin watering 8 hours after the programming knob has been moved from the RESET PGM position.
- Maximum operating pressure: 150 psi (10 Bars).
- Battery life: One year with top-grade alkaline battery (battery not included).
- Three year warranty.

#### Electrical Characteristics

- Power: 9V alkaline battery (international 6AM6 standard or European 6LR61 standard, for example: Duracell, Energizer, etc.)



#### Dimensions

- Height: 5" (12,8cm)
- Width: 2" (5,5 cm)
- Depth: 3" (9,5 cm)

#### How to Specify/Order:

**EASY RAIN**



## Specifications

The Easy Rain battery operated irrigation controller system shall consist of a program module pre-wired to a DC latching solenoid in a plastic adapter. The program module shall mount directly on the solenoid adapter. The solenoid adapter shall hand-screw onto and operate with Rain Bird DV, ASVE, PGA, PEB, PESB, GB, EFB-CP, BPE and BPES valves. The controller shall turn on the single valve station via the latching solenoid. The controller shall function normally if submerged in water. The irrigation controller system shall have a maximum operating pressure of 150 psi (10 Bars).

The controller shall operate on one top-grade nine-volt alkaline battery for one year. The user shall have 30 seconds to replace the battery without erasing the controller program. The controller may be programmed to operate on any one of the six pre-programmed calendar cycles. For the double (2X) cycles, the controller shall have a soak time of 4 hours between run times. Each calendar cycle can be set to water for any one of the pre-programmed run times. The watering start time shall be programmable as 0, 2, 4, 6, 8, 10 or 12 hours after battery installation. The controller shall be capable of manual operation.

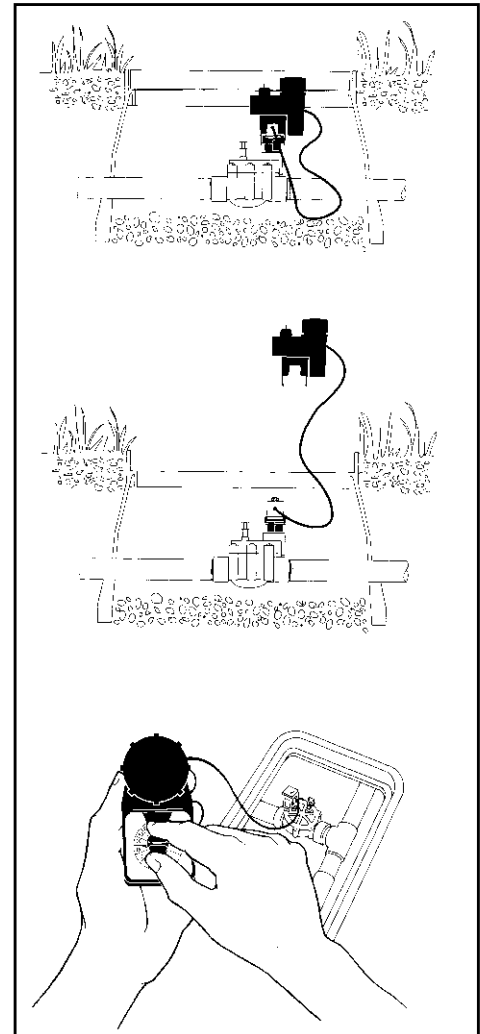
The controller shall have a default program of watering for the selected run time, once every day, eight hours after battery installation. The default program will actuate only if a run time has been selected.

The controller shall be programmable with a single knob. The control module shall be programmable up to 20 inches (50,8 cm) away from the valve station and solenoid.

The latching solenoid shall be supplied with an installed, filtered adapter allowing installation of the solenoid onto any Rain Bird DV, ASVE, PGA, PEB, PESB, GB, EFB-CP, BPE and BPES valves. The controller shall perform daily automatic self-cleaning of the solenoid plunger for preventive maintenance.

The controller shall be warranted for a period of three years.

The controller shall be as manufactured for Rain Bird Sprinkler Mfg. Corp., Glendora, California USA.



### **Rain Bird Sales, Inc.**

970 West Sierra Madre Avenue, Azusa, CA 91702  
Phone: (626) 963-9311 Fax: (626) 812-3411, (626) 812-3608

### **Rain Bird Sales, Inc.**

4261 South Country Club Road, Tucson, AZ 85714  
Phone: (520) 741-6100 Fax: (520) 741-6146

### **Rain Bird International, Inc.**

145 North Grand Avenue, Glendora, CA 91740  
Phone: (626) 852-7100 Fax: (626) 963-4267

### **Rain Bird Technical Services**

(800) 247-3782 (U.S. only)

### **Specification Hotline**

800-458-3005 (U.S. only)

[www.rainbird.com](http://www.rainbird.com)

Rain Bird BBS: (520) 741-6153

Rain Bird. Conserving More Than Water

™ Registered Trademark of Rain Bird Sprinkler Mfg. Corp.  
© 2000 Rain Bird Sprinkler Mfg. Corp. 8/00

D39131C