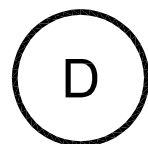


- ① 2-INCH SNAP-ON TOP CAP (INCLUDED)
- ② BUBBLER: RAIN BIRD 1401 0.25 GPM (INCLUDED)
- ③ ROOT WATERING SYSTEM:
RAIN BIRD RWS-S-B-C-1401
(INCLUDES 1401 0.25 GPM BUBBLER WITH CHECK VALVE, TOP AND BASE CAP, 1/2" ELBOW, 1/2" MALE SPIRAL BARB, AND BASKET CANISTER)
- ④ FINISH GRADE
- ⑤ 1/2-INCH CHECK VALVE (INCLUDED)
- ⑥ 1/2-INCH 90-DEGREE ELBOW (INCLUDED)
- ⑦ 1/2-INCH SPIRAL BARB FITTING (INCLUDED)
- ⑧ 1/2-INCH SWING ASSEMBLY: RAIN BIRD SA-125050
OR
1/2-INCH SWING PIPE: RAIN BIRD SP SERIES WITH
1/2-INCH MALE NPT x .490-INCH BARB ELBOW:
RAIN BIRD SBE-050
- ⑨ PVC SCH 40 TEE OR ELBOW
- ⑩ PVC OR POLYETHYLENE LATERAL PIPE
- ⑪ 2" WIDE X 10" LONG RIGID BASKET WEAVE CANISTER (INCLUDED)
- ⑫ 2-INCH SNAP-ON BASE CAP (INCLUDED)

NOTES:

- 1. INSTALL PRODUCT SO THAT THE LID IS EVEN WITH FINISH GRADE OR TOP OF MULCH.
- 2. ONCE RWS-S HAS BEEN INSTALLED FILL THE BASKET WITH PEA GRAVEL BEFORE REPLACING SNAP-ON LID.

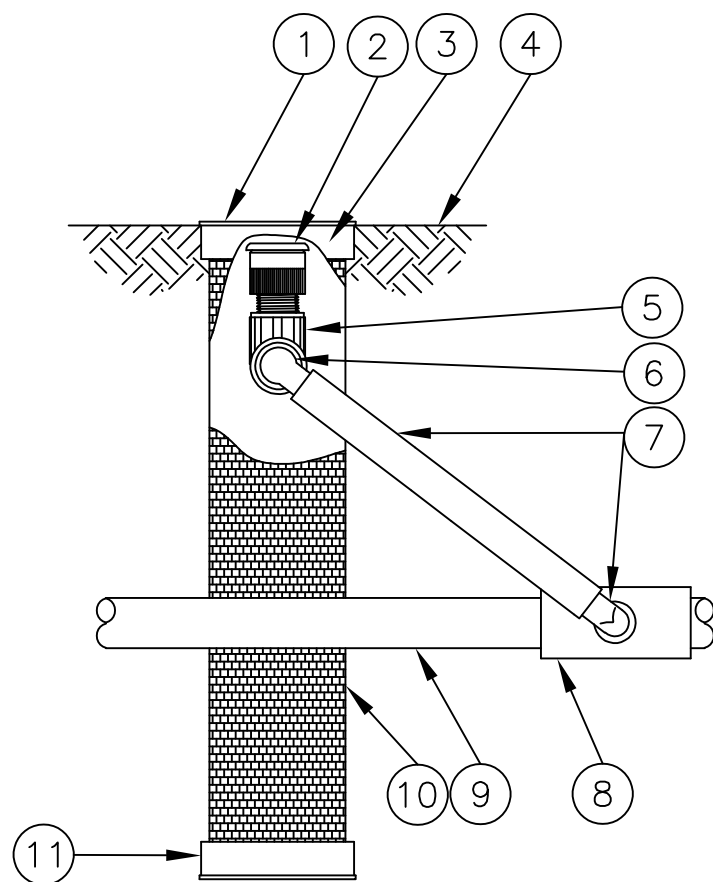


ROOT WATERING SYSTEM

N.T.S.

RWS-S SERIES RWS-S-B-C-1401

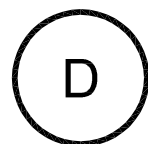
3-2-10



- ① 2-INCH SNAP-ON TOP CAP (INCLUDED)
- ② BUBBLER: RAIN BIRD 1401 0.25 GPM (INCLUDED)
- ③ ROOT WATERING SYSTEM:
RAIN BIRD RWS-S-B-1401
(INCLUDES 1401 0.25 GPM BUBBLER WITH TOP AND BASE CAP, 1/2" ELBOW, 1/2" MALE SPIRAL BARB, AND BASKET CANISTER)
- ④ FINISH GRADE
- ⑤ 1/2-INCH 90-DEGREE ELBOW (INCLUDED)
- ⑥ 1/2-INCH SPIRAL BARB FITTING (INCLUDED)
- ⑦ 1/2-INCH SWING ASSEMBLY: RAIN BIRD SA-125050
OR
1/2-INCH SWING PIPE: RAIN BIRD SP SERIES WITH 1/2-INCH MALE NPT x .490-INCH BARB ELBOW: RAIN BIRD SBE-050
- ⑧ PVC SCH 40 TEE OR ELBOW
- ⑨ PVC OR POLYETHYLENE LATERAL PIPE
- ⑩ 2" WIDE X 10" LONG RIGID BASKET WEAVE CANISTER (INCLUDED)
- ⑪ 2-INCH SNAP-ON BASE CAP (INCLUDED)

NOTES:

- 1. INSTALL PRODUCT SO THAT THE LID IS EVEN WITH FINISH GRADE OR TOP OF MULCH.
- 2. ONCE RWS-S HAS BEEN INSTALLED FILL THE BASKET WITH PEA GRAVEL BEFORE REPLACING SNAP-ON LID.



ROOT WATERING SYSTEM

N.T.S.

RWS-S SERIES RWS-S-B-1401

3-2-10