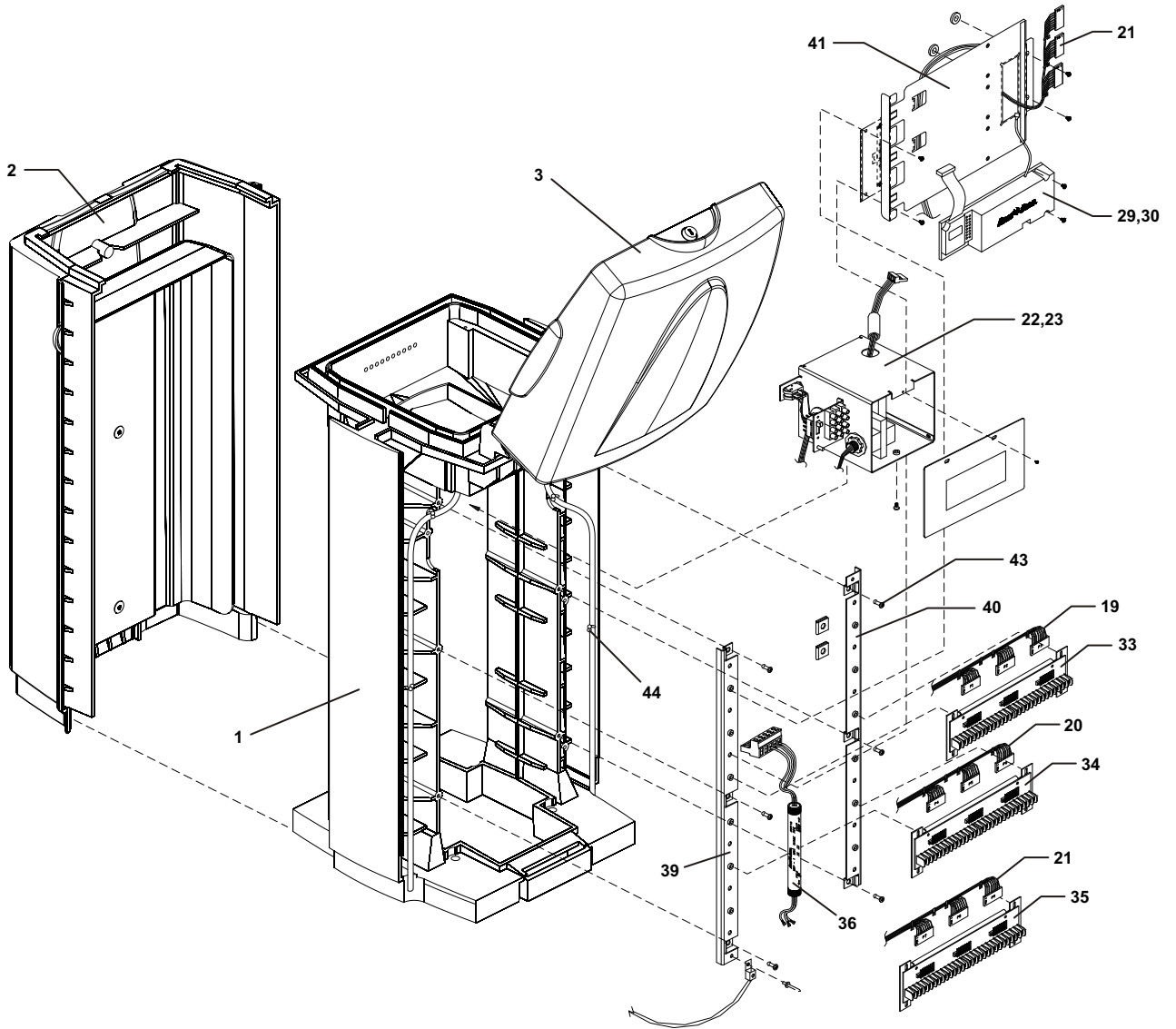


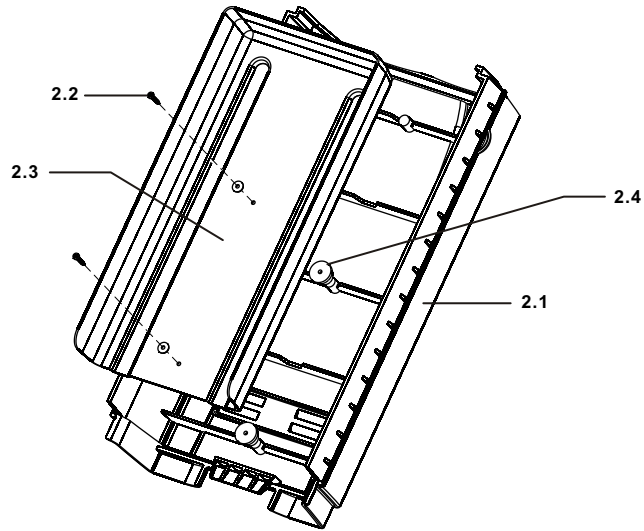
Note: Part Number enclosed in brackets () are not available individually, but may be sold in assemblies or kits.



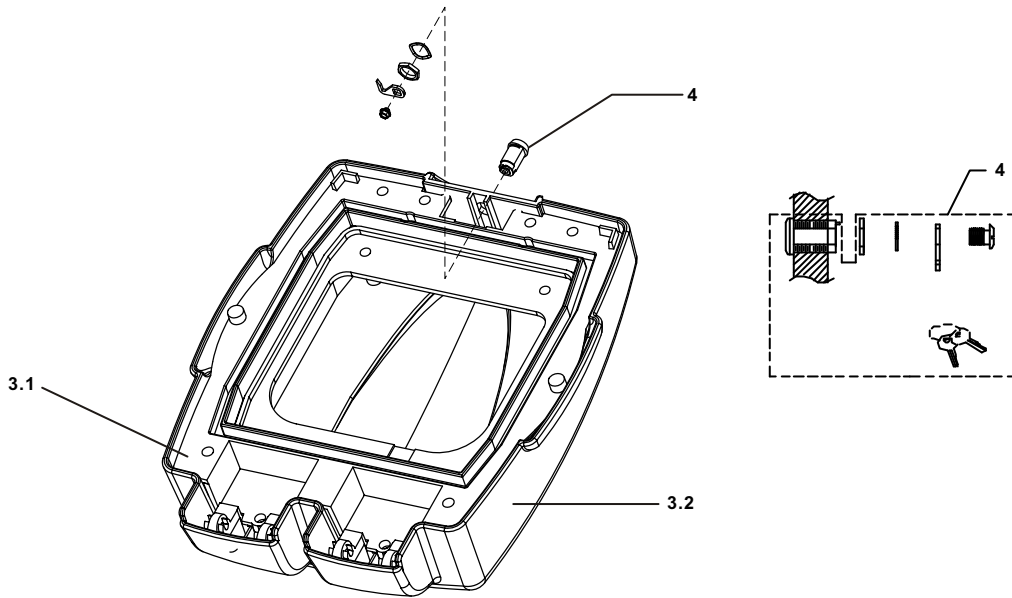
Note: Part Number enclosed in brackets () are not available individually, but may be sold in assemblies or kits.

Ref.	Description	Qty.	Part Number
1	PLASTIC PEDESTAL SUB-ASSY, RP GRAY	1	H44011
2	DOOR RP SUB-ASSY RP	2	(636719-02)
3	LID RP SUB-ASSY	1	(636718-02)
4	LOCK, NOTCHED CAM	1	636709
5	PLATE, LOCK, SST	1	(636743)
6	BRACKET, HINGE, SST. LEFT	1	(635470-01)
7	BRACKET, HINGE, SST. RIGHT	1	(635470-02)
8	PEDESTAL MOUNTING KIT	1	635780
9	BAG, POLY 6 X 8	1	(601846)
10	BAG, POLY 15X24	1	(632308-01)
11	MOUNTING TEMPLATE	1	(635233)
12	ANCHOR BOLT	4	(635258-02)
13	LABEL, BOLT. PPED, TEMPLATE	1	(635824)
14	WASHER 5/16 LOCK-SPRING	4	(650029-07)
15	NUT, HEX 5/16	8	(650033-07)
16	WASHER FLAT 5/16 TYPE B	4	(652181)
17	MANUAL, INSTALLATION PAR+ES	1	635778
18	MANUAL, OPERATION PAR+ES	1	635777
19	HARNESS ASSY TERMINAL BOARD STA 1-24	1	H60331
20	HARNESS ASSY TERMINAL BOARD STA 25-48	1	H60341
21	HARNESS ASSY TERMINAL BOARD STA 49-72	1	H60351
22	POWER SUPPLY SUBASSY, PAR+/MSC+	1	635224-01
23	POWER SUPPLY SUBASSY, PAR+/MSC+ LINK	1	635224-02
24	LABEL, INSTRUCTION PAR+ES	1	(635704)
25	CONTROL MODULE ASSY, PAR+	1	635711-02
26	MAXI I/F MODULE, TWO WIRE		H44500
27	MAXI I/F MODULE, LINK		H44550
28	INTERCONNECT/PWR SUP SUB-ASSY	1	633226-03
29	ASSY, OSM PAR/MSC+	2 - 9	HA0100
30	ASSY, OSM PAR/MSC+ /W SW	2 - 9	HA0200
31	PLATE, OSM SUB-ASSY	1	(635225-02)
32	BEZEL PLASTIC SUB-ASSY	1	(635229)
33	BRACKET-BOARD ASSY, STA 1-24	1	H60311
34	BRACKET-BOARD ASSY, STA 25-48	1	H60321
35	BRACKET-BOARD ASSY, STA 49-72	1	H60361
36	TWO-WIRE PIPE SUB-ASSY	1	D05110
37	ANTENNA PANEL ASSY	1	H41006
38	ANTENNA 450-470MHz	1	H60140
39	RAIL MOUNTING LEFT STEEL	1	(635540)
40	RAIL MOUNTING RIGHT STEEL	1	(635541)
41	PAR+ES UPGRADE KIT	1	HP5050
42	SCREW #10-16PN HD	4	(652188-20)
43	SCREW, PHILLIPS PNH	14	(652188-48)
44	TWIST LOCK	2	(651567)
45	TUBING, RUBBER 5/8"	2	(636647-01)
46	TERMINAL BLOCK TWO-WIRE	1	(651501)
47	DIB BRACKET ASSY	1	(635867)
48	DECODER INTERFACE BOARD (DIB)	1	636104

Note: Part Number enclosed in brackets () are not available individually, but may be sold in assemblies or kits.

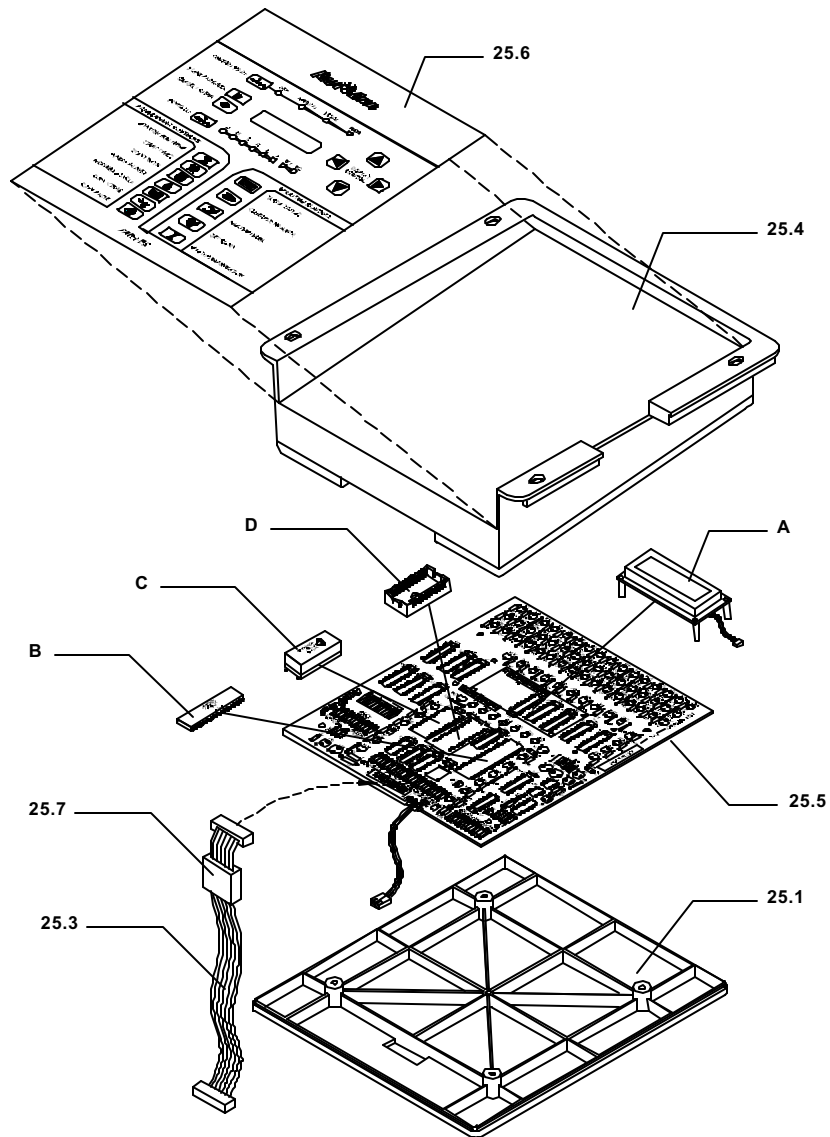


Ref.	Description	Qty.	Part Number
2	DOOR RP SUB-ASSY RP		636719
2.1	DOOR, PLASTIC PEDESTAL	1	(636719-02)
2.2	SCREW	2	(652281-010)
2.3	INNER DOOR SHIELD		(636939-010)
2.4	INNER DOOR SPACER		(636940-010)



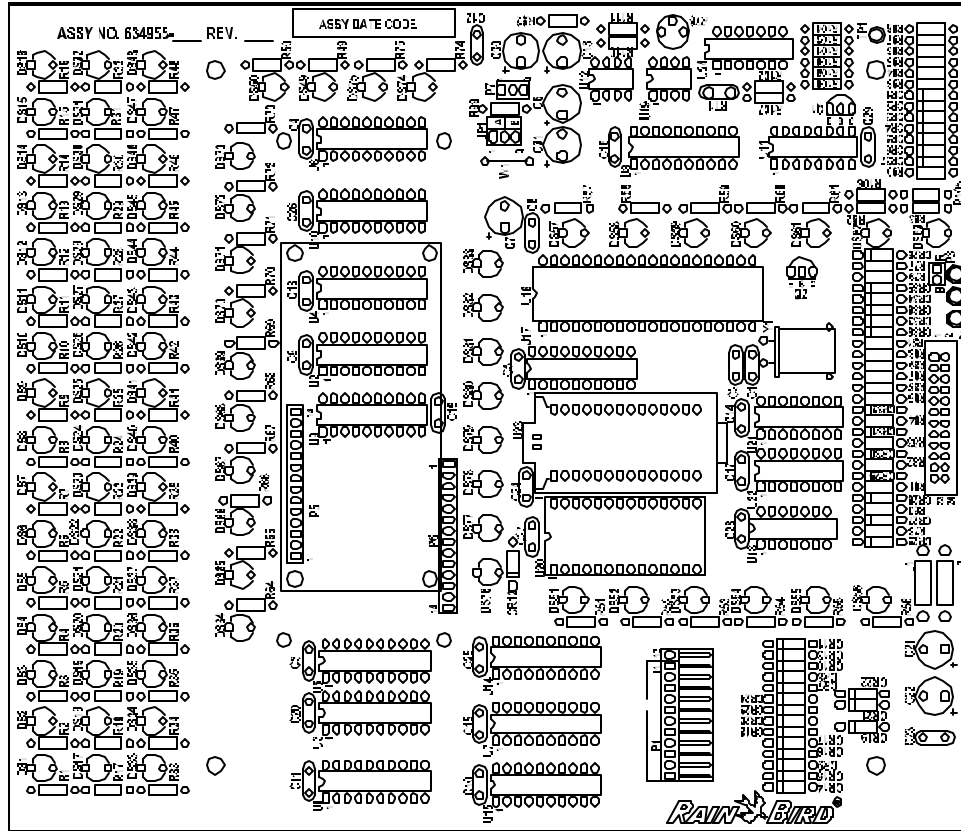
Ref.	Description	Qty.	Part Number
3	LID RP SUB-ASSY		
3.1	LID, INNER, PLASTIC PEDESTAL	1	(636717-02)
3.2	LID, OUTER, PLASTIC PEDESTAL	1	(636718-02)
4	LOCK, NOTCHED CAM	1	(636709)

Note: Part Number enclosed in brackets () are not available individually, but may be sold in assemblies or kits.



Ref.	Description	Qty.	Part Number
25	CONTROL MODULE ASSY, PAR+ES		635711-01
25.1	ASSY, CONT MOD COVER PAR+/MSC+	1	(634888-03)
25.2	SCREW 7-19X1/2 HILO RC-7	4	(622922)
25.3	HARNESS ASSY, CABLE-PAR/MSC+	1	633176
25.4	PANEL, FRONT-PAR/MSC+	1	(633201)
25.5	PAR+ES PWB ASSY MAIN LOGIC BOARD	1	(634955-05)
A	LCD BACKLIGHT ASSY PAR+/PAR+ES	1	635308
B	IC, MICROCONTROLLER, 80C32	1	651031
C	IC, CLOCK AND 64K RAM, DS1243Y	1	650718
D	SOKET IC CARRIER 2 28PIN	1	650622-10
25.6	OVERLAY, MEMBRANE SWITCH, PAR+ES	1	635706
25.7	FERRITE, FLAT CABLE SNAP-IT	1	(651612)

Note: Part Number enclosed in brackets () are not available individually, but may be sold in assemblies or kits.

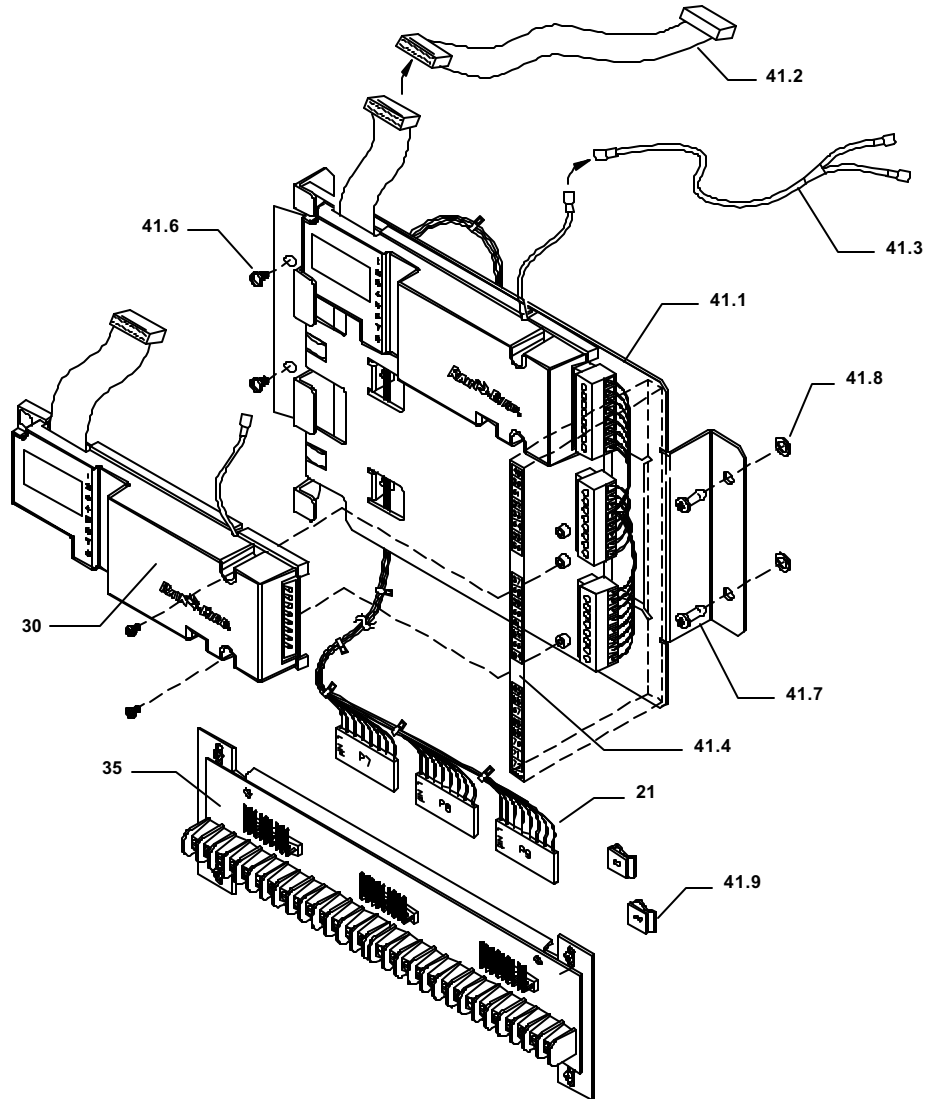


Ref.	Description	Qty.	Part Number
25.5	MAIN LOGIC PWB ASSEMBLY PAR+ES		634955-05
P3	HARNASS ASSY PLUG F/P LIGHT	1	(635152)
(P5)	LCD BACKLIGHT ASSY, PAR+	1	635308
U23	S/W M/ASSY, M/L BRD V10	1	(635708)
C1, C2	CAPACITOR CER DISC, 50V(MIN)1PFTO8200	2	(650012-15)
C25-29, 12, 29, 23, 24	CAPACITOR CER 0.1MF 50V	14	650013-45
CR7-13	DIODE IN4148	7	650037-01
CR14-38, CR1-6	DIODE ZENER 1N5231B 5.1V	31	(650038-70)
R92	RESISTOR 1/4W 10% 4.7 OHM	1	(650079-17)
R108	RESISTOR 1/4W 10% 100 OHM	1	650079-49
R109	RESISTOR 1/4W 10% 220 OHM	1	(650079-57)
R93-98, R78-84, R86-91	RESISTOR 1/4W 10% 330 OHM	19	(650079-61)
R64-75	RESISTOR 1/4W 10% 560 OHM	12	(650079-67)
R77, R85	RESISTOR 1/4W 10% 2.7 K	2	(650079-83)
R99	RESISTOR 1/4W 10% 4.7 K	1	650079-89
R105	RESISTOR 1/4W 10% 5.6 K	1	(650079-91)
R100-104	RESISTOR 1/4W 10% 10 K	5	(650079-97)
R106	RESISTOR 1/4W 10% 22 K	1	650080-06
R107	RESISTOR 1/4W 10% 39 K	1	(650080-12)
R110, 111	RESISTOR 1/4W 10% 100 K	2	(650080-22)
Q2	TRANSISTOR, NPN 600MW PN2222	1	650084

Note: Part Number enclosed in brackets () are not available individually, but may be sold in assemblies or kits.

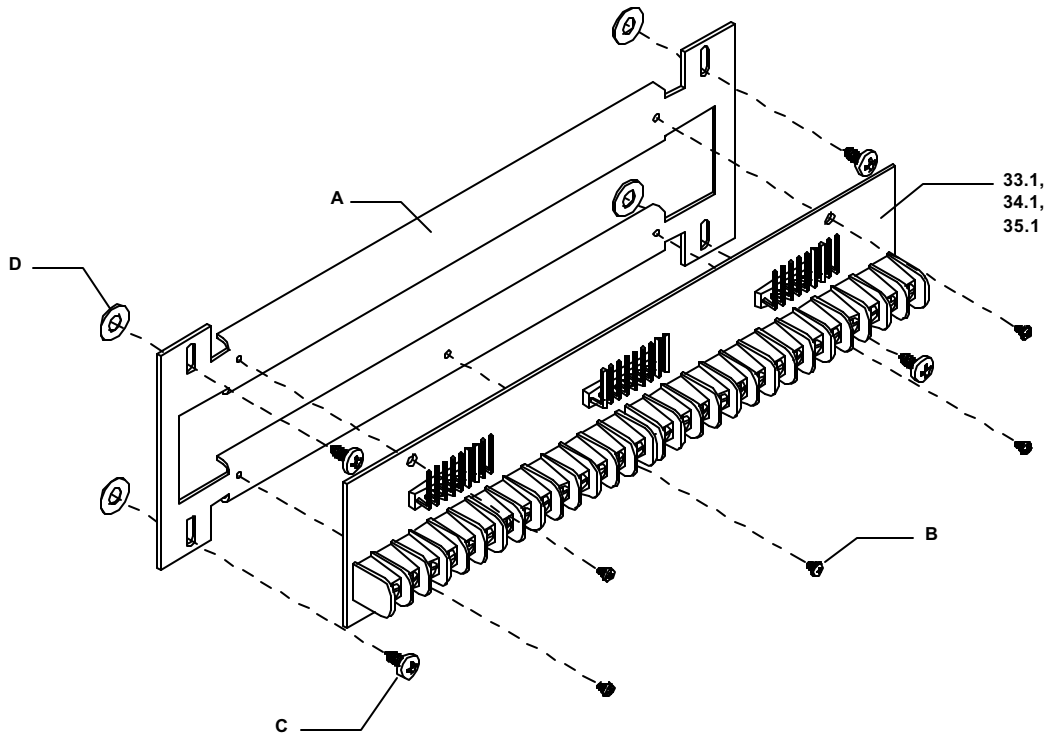
Ref.	Description	Qty.	Part Number
L1, L2	INDUCTOR FERRITE	2	650300-05
TP1	TERMINAL TEST PT .067-078	1	(650336-01)
U24	IC, QUAD OP AMP LM324	1	650358
Q1	TRANSISTOR PNP 625 MW	1	650369
P7	HEADER, 3 POSITION 1"	1	(650454-03)
(U23)	SOCKET IC CARRIER 28PI	1	650518-02
P1	HEADER,.100CTRS, 11CKT, FL RTANG	1	(650530-11)
C7, C22	CAPACITOR 2.2UF 25V TANTALUM	2	650583-03
C6, 13,30,31	CAPACITOR 22UF 25V TANTALUM	4	650583-09
C21	CAPACITOR 47.0 UF., 25V, TANTALUM	1	(650583-11)
U19	IC MICROPOWER MONITOR & WDT	1	650585
U9, 10, 14, 15, 17	IC, 3 STATE OCT LATCH 74HC373	5	650611
U18	IC, NAND 2-IN QUAD 74HCOO	1	650612
U21, 22	IC, DECODER 1-OF-8 74HC238	2	650613
U20	SOCKET, DIP, 28POS, ULTRA LOW PROFILE	1	650622-10
W1,(Y1)	WIRE, A.I.	4	(650625-03)
U11	IC.DECODER 3 TO 8 LINE DIP16 74HC138	1	650699
U20	IC, CLOCK AND 64K RAM DS1243Y	1	650718
Y1	CRYSTAL, 11.0592 MHZ	1	650721
R76	POT, 100K OHM 1/4" SINGLE TURN	1	(650739-14)
P2	HEADER, LOW PROFILE 24 POS.	1	(650872-24)
DS76, -83, 65, 67, 69, 71	LED, CLEAR RED SUPER BRIGHT	12	650910
P5, P6	SOCKET, ELEV TERM STRIP, 14 CKTS	1	(651029-14)
U16	IC, MICROCONTROLLER, 80C32	1	651031
RT1	THERMISTOR, 5%, 6.8K,3980	1	(651149-06)
U2	IC, CONVERTER DC/DC VOLT (LT 1026)	1	(651455)

Note: Part Number enclosed in brackets () are not available individually, but may be sold in assemblies or kits.



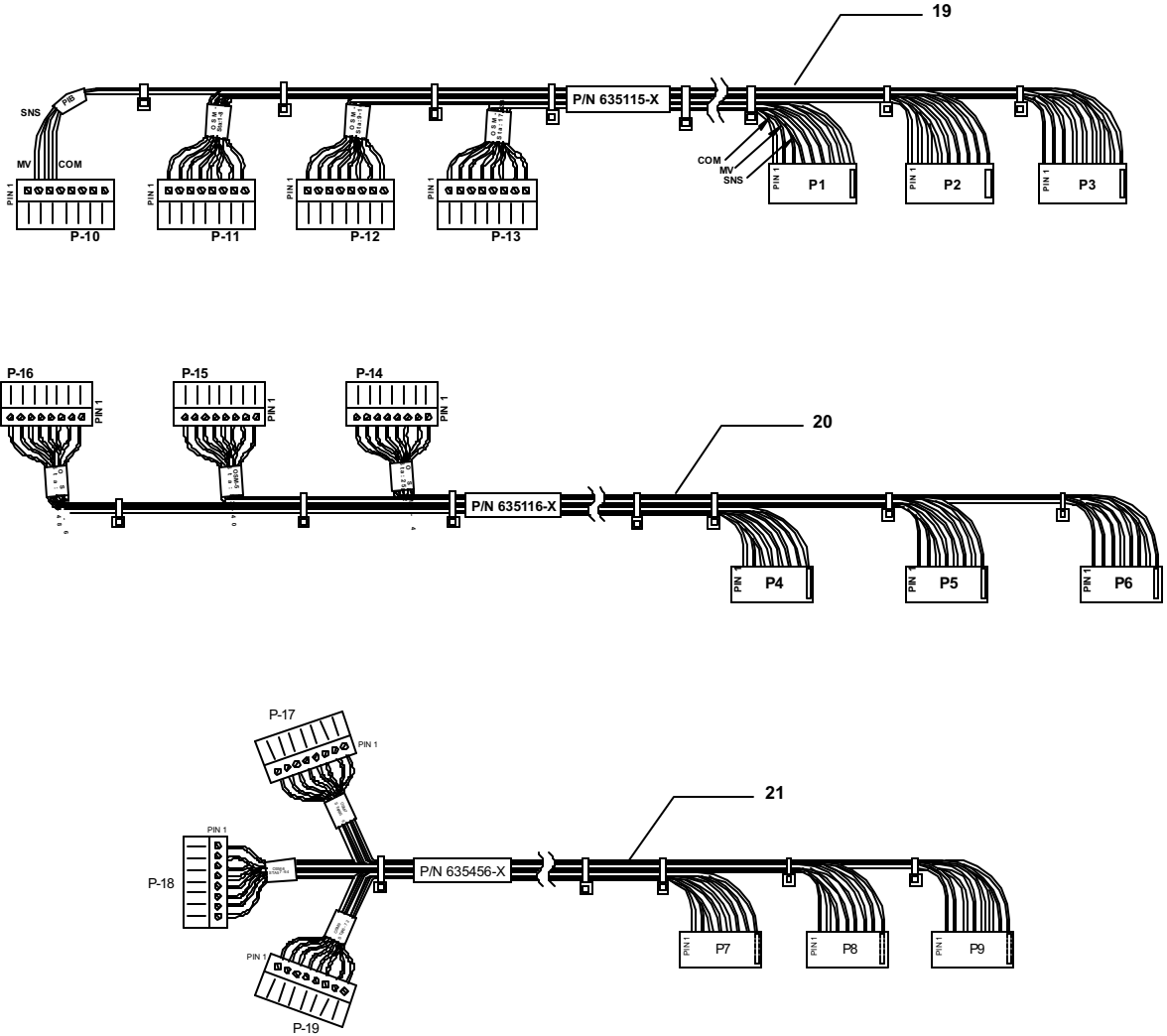
Ref.	Description	Qty.	Part Number
41	PAR+ES UPGRADE KIT		HP5050
41.1	BRACKET, MOUNTING STEEL, 72 STA	1	(635542)
41.2	CABLE HARNESS ASSY	1	635569
41.3	CABLE ASSEMBLY, Y	1	635599
41.4	LABEL, ST I.D., 72 STA	1	(635638)
41.5	CABLE TIE, NYLON 7/8 BUNDLE	2	650131
41.6	SCREW, PAN HD, #10 X 1/4"	2	(650754-57)
41.7	STUD PHILLIPS, OVAL STEEL	2	(651511)
41.8	RETAINER, BLACK NYLON	2	(651512)
41.9	RECEPTACLE, 1/4 TURN STEEL	2	(651597)
21	HARNESS ASSY TERMINAL BRD STA 49-72	1	H60351
35	BRACKET-BOARD ASSY STA 49-72	1	H60361

Note: Part Number enclosed in brackets () are not available individually, but may be sold in assemblies or kits.



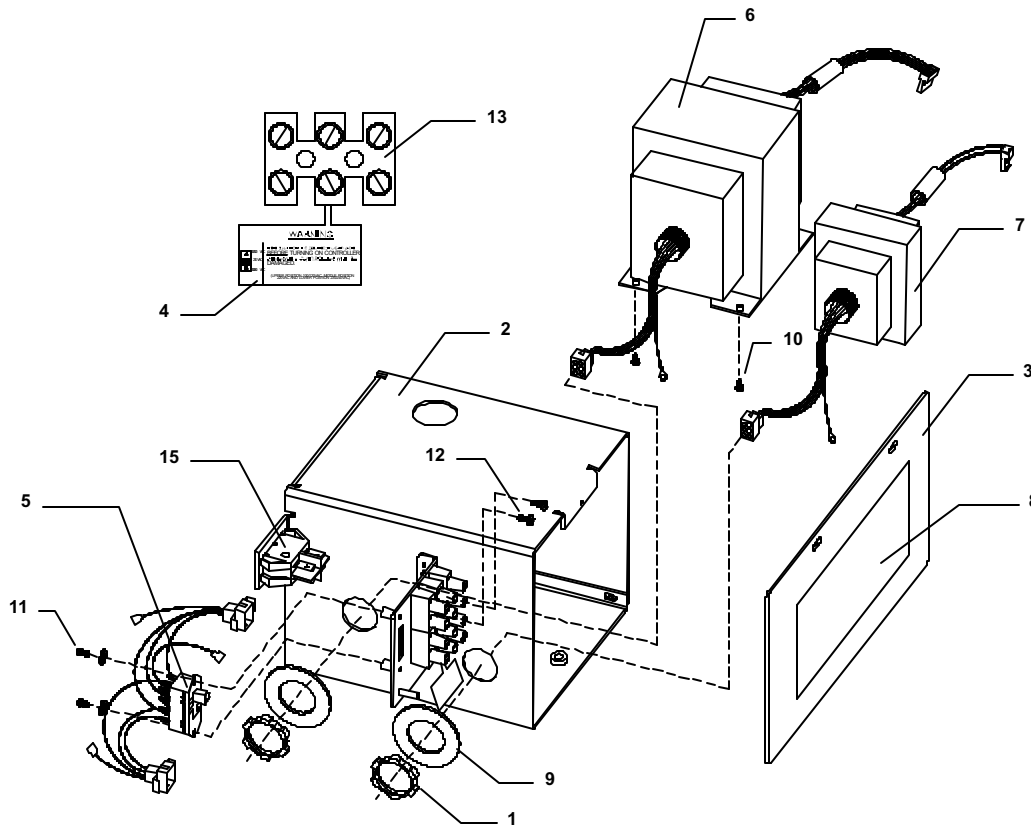
Ref.	Description	Qty.	Part Number
33	TERMINAL BOARD ASSEMBLY STATION 1-24		H60311
33.1	PWB ASSY PAR+ TERM BRD 1-24	1	(635121)
A	PLATE, TERMINAL STRIP, STE	1	(635217)
B	SCREW 6-32 X 3/8	5	(650105-28)
C	SCREW, CAPTIVE PANEL PAN	4	(651517-06)
D	WASHER, PANEL SCREW RETAINER	4	(651518-06)
34	TERMINAL BOARD ASSEMBLY STATION 25-48		H60321
34.1	PWB ASSY PAR+ TERM BRD 25-48	1	(635124)
A	PLATE, TERMINAL STRIP, STE	1	(635217)
B	SCREW 6-32 X 3/8	5	(650105-28)
C	SCREW, CAPTIVE PANEL PAN	4	(651517-06)
D	WASHER, PANEL SCREW RETAINER	4	(651518-06)
35	TERMINAL BOARD ASSEMBLY STATION 49-72		H60361
35.1	PWB ASSY PAR+ TERM BRD 49-72	1	(635560)
A	PLATE, TERMINAL STRIP, STE	1	(635217)
B	SCREW 6-32 X 3/8	5	(650105-28)
C	SCREW, CAPTIVE PANEL PAN	4	(651517-06)
D	WASHER, PANEL SCREW RETAINER	4	(651518-06)

Note: Part Number enclosed in brackets () are not available individually, but may be sold in assemblies or kits.



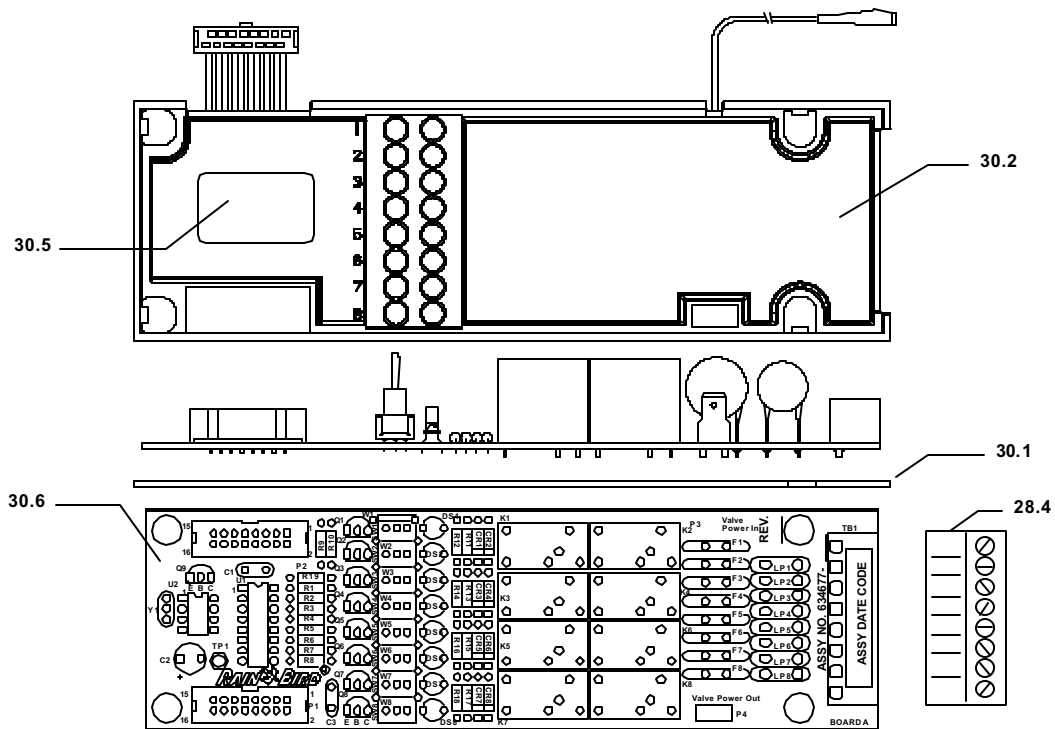
Ref.	Description	Qty.	Part Number
19	HARNESS ASSY TERMINAL BOARD STA 1-24	1	H60331
20	HARNESS ASSY TERMINAL BOARD STA 25-48	1	H60341
21	HARNESS ASSY TERMINAL BOARD STA 49-72	1	H60351

Note: Part Number enclosed in brackets () are not available individually, but may be sold in assemblies or kits.



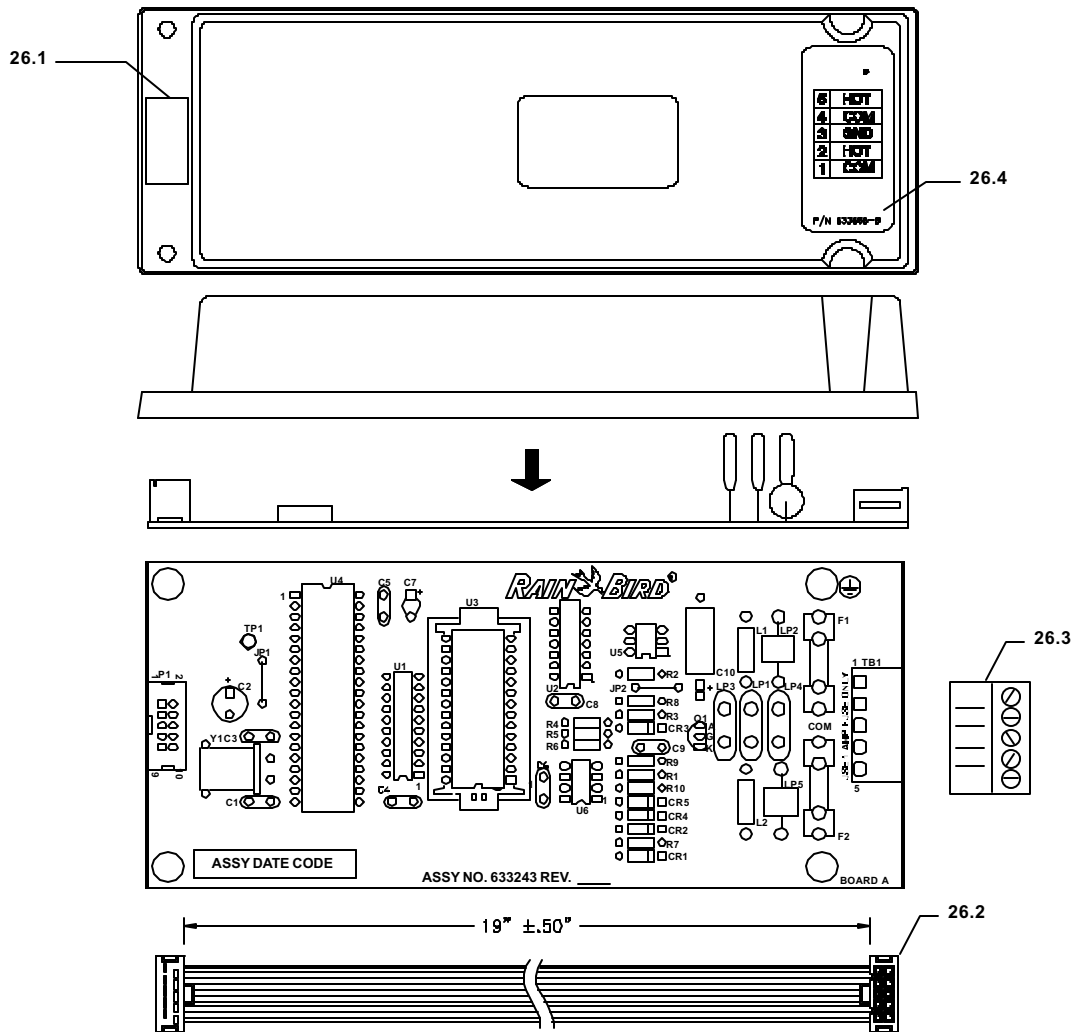
Ref.	Description	Qty.	Part Number	Part Number (LINK)
22	POWER SUPPLY PAR+/MSC+		635224-01	
23	POWER SUPPLY PAR+/MSC+ LINK			635224-02
1	LOCKNUT CONDUIT	1(2)	(628013)	(628013)
2	BOX, XFMR, STEEL	1	(635113)	(635113)
3	COVER, XFMR STEEL	1	(635114)	(635114)
4	LABEL, PWR SUPP.	1	(635154)	(635154)
5	SWITCH, VOLTAGE SELECTOR	1	(633204)	(635204)
6	TRANSFORMER CONECTOR ASSY	1	633252	633252
7	TRANSFORMER CONECTOR ASSY LINK	0 (1)		633254
8	LABEL, COVER STEEL XFMR	1	(635226)	(635226)
9	WASHER, FLAT 7/8" .090	1(2)	(650023-43)	(650023-43)
10	SCREW, SCFTPG, PNH,#8-18.375L	4	(650104-41)	(650104-41)
11	SCREW 4-40 3/8L PN HD	2	(650105-15)	(650105-15)
12	SCREW 8-32	2	(650105-48)	(650105-48)
13	TERMINAL BLOCK DOUBLE ROW	1	(651495-03)	(651495-03)
14	TERMINAL BLOCK DOUBLE ROW MALE	1	(651496-03)	(651496-03)
15	SWITCH, DPST, ROCKER WITH	1	(651503)	(651503)

Note: Part Number enclosed in brackets () are not available individually, but may be sold in assemblies or kits.



Ref.	Description	Qty.	Part Number
30	OUTPUT STATION MODULE /W SW		HA0200
30.1	SHIELD, INSUL, U.L.94V0, OSM PWB	1	633852
30.2	COVER, OUTPUT STATION MODULE	1	(634644-02)
30.3	SCREW, MACH PNH #6-32	2	(650480-12)
30.4	CONNECTOR, TERMINAL BLOCK	1	651034-08
30.5	LABEL, SWITCH POSITION	1	(634680)
30.6	PWB ASSY OUTPUT ST MOD (OSM)	1	(634677-01)
P2	RIBBON CABLE ASSY PAR/MSC+	1	633245
P3	CABLE, VALUE POWER-PAR/MSC+	1	633247
U2	SW ASSY, OSM V01	1	634672
C1, C3	CAPACITOR CERAMIC DISC 0.1MF 50V	2	650013-45
CR1-CR8	DIODE IN4148	8	650037-01
R11-R18	RESISTOR 1/4W 10% 2.2 K	8	(650079-81)
R19	RESISTOR 1/4W 10% 3.3 K	1	(650079-85)
R1-R8	RESISTOR 1/4W 10% 4.7 K	8	650079-89
R10	RESISTOR 1/4W 10% 5.6 K	1	(650079-91)
R9	RESISTOR 1/4W 10% 22 K	1	650080-06
Q1-Q8	TRANSISTOR, NPN 600MW PN2222	8	650084
P4	TERMINAL Q.DISK MALE	1	650138
TP1	TERMINAL TEST PT .067-078	1	(650336-01)
Q9	TRANSISTOR PNP 625 MW	1	650369
C2	CAPACITOR TANTALUM 22UF 25V	1	650583-09
SW1-SW8	SUB-MINIATURE TOGGLE SWI	8	651414
K1-K8	RELAY, SPDT, SMALL 5A 9V	8	650725-03
P1	HEADER .100 CTR 16 CKT	1	650872-16
U1	IC 8 BIT LATCH ADDR 74HC259 8 BIT	1	650889
TB1	SOCKET, HORIZONTAL 8 CRKT	1	(650900-08)
DS1-DS8	LED, CLEAR RED SUPER BRIGHT	8	650910
F1-F8	FUSE, SELF RESETTING, 1.85AMPS	8	651124-05
Y1	RESONATOR, CERAMIC 10MHZ	1	651445
LP1-LP8	MOV, 47 V, 1000A	8	651467

Note: Part Number enclosed in brackets () are not available individually, but may be sold in assemblies or kits.

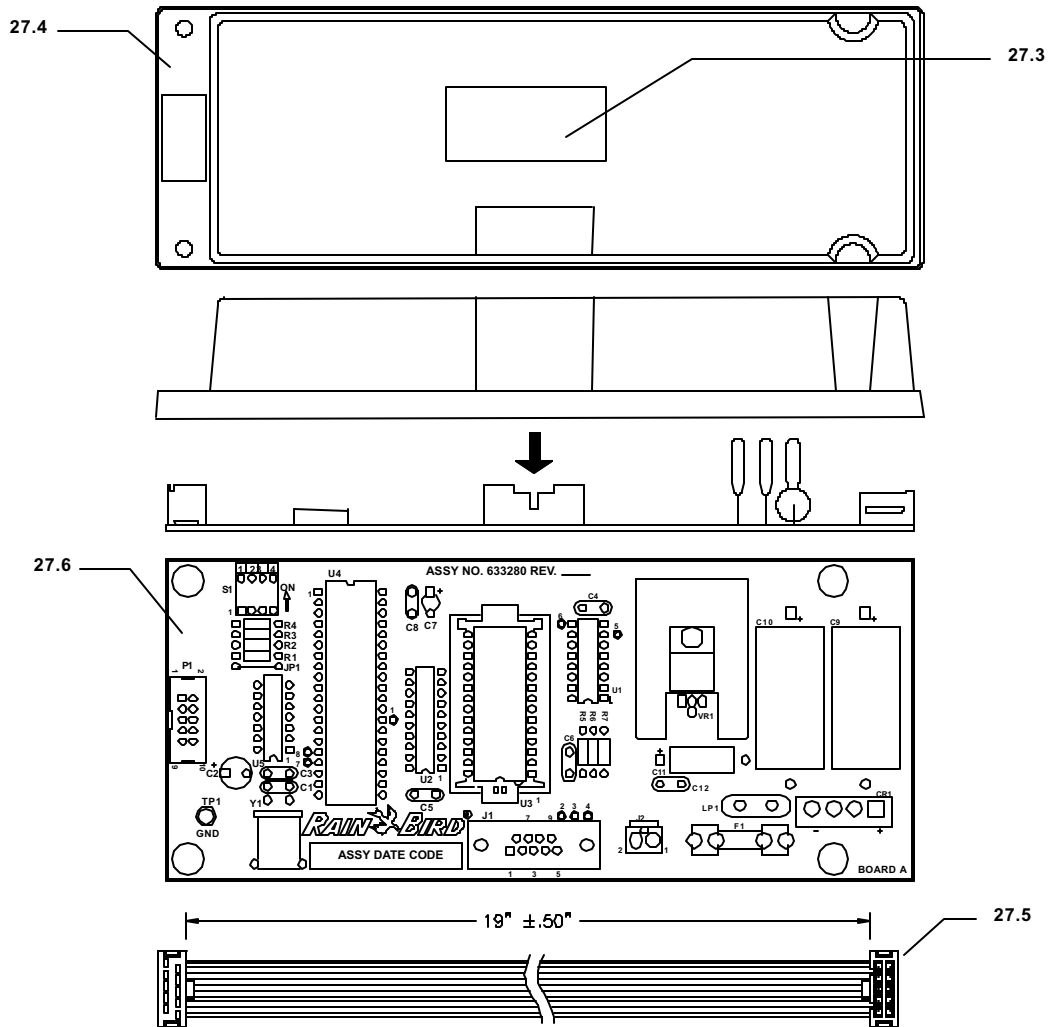


Ref.	Description	Qty.	Part Number
26	MAXI I/F MODULE, 2 - WIRE		H44500
26.1	COVER, MAXI I/F MODULE	1	633207
26.2	CABLE HARNESS ASSY	1	634875
26.3	CONNECTOR, TERMINAL BLOCK	1	(651034-05)
26.4	LABEL, MAXI 2-WIRE-PAR/MSC+	1	(633668)
26.5	SCREW, #4-40 X 1/4" PH	4	(650480-01)
26.6	PWB ASSY 2 WIRE INTERFACE BOARD	1	633243
LP2, LP5	PROTECTOR, SURGE, SPARK GAP	2	624625
U3	S/W, MSC+/PAR+ 2W IFB V03	1	(633294)
C1, C3	CAPACITOR CER DISC, 50V(MIN)1PFTO8200	2	(650012-15)
C4, 5, 6, 7, 8	CAPACITOR CER 0.1MF 50V	4	650013-45
LP1, LP3, LP4	MOV 68VOLTS 500AMPS	3	650016
CR1, CR5	DIODE ZENER 1N5237 8.2V	2	650038-12
C9	CAPACITOR 001UF 100V	1	(650040-57)
C10	CAPACITOR ELECT AX 50V 47MF	1	(650046-13)
U5	IC MOC3011	1	650070-01
CR2,3, 4	DIODE 1N4002	3	650077-02

Note: Part Number enclosed in brackets () are not available individually, but may be sold in assemblies or kits.

Ref.	Description	Qty.	Part Number
R2	RESISTOR 1/4W 10% 270 OHM	1	(650079-59)
R1, 9	RESISTOR 1/4W 10% 1.0 K	2	(650079-73)
R3	RESISTOR 1/4W 10% 2.0 K	1	(650079-80)
R8	RESISTOR 1/4W 10% 4.7 K	1	650079-89
R4, 5, 7, 10	RESISTOR 1/4W 10% 47 K	4	(650080-14)
R6	RESISTOR 1/4W 10% 100 K	1	(650080-22)
JP1, JP2, (Y1)	WIRE, 22AWG, A.I. .450 LD SP	2	(650625-03)
L1, L2	INDUCTOR FERRITE	2	650300-05
(F1, F2)	CLIP FUSE .197DIA PCB MNT	4	(650308)
TP1	TERMINAL TEST PT .067-078	1	(650336-01)
Q1	RECTIFIER 2N5062 SILICON	1	650375
U6	IC, OPTO-COUPLER HCPL-2731	1	650445
(U3)	SOCKET IC CARRIER 28PI	1	650518-02
U2	IC, INVERTER 74HC14	1	650540
C7	CAPACITOR 2.2UF 25V TANTALUM	1	650583-03
C2	CAPACITOR 22UF 25V TANTALUM	1	650583-09
U1	IC, 74HC373 3 STATE OCT LATCH	1	650611
Y1	CRYSTAL, 11.0592 MHZ	1	650721
P1	HEADER .100CTR, 10CKT, LO PROFIL	1	(650872-10)
TB1	SOCKET, HORIZONTAL 5 CRKT.	1	650900-05
F1, F2	FUSE, 5X20MM, SLOW BLOW 4 AMPS	2	(650966-16)
U4	IC, MICROCONTROLLER, 80C32	1	651031

Note: Part Number enclosed in brackets () are not available individually, but may be sold in assemblies or kits.

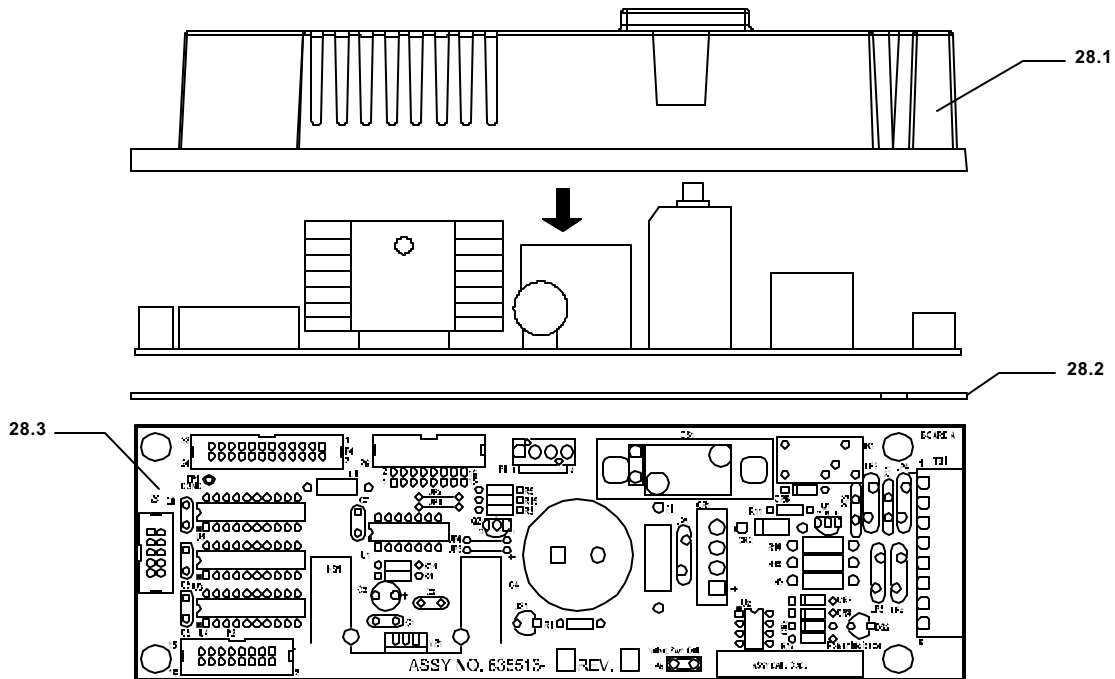


Ref.	Description	Qty.	Part Number
27	MAXI I/F MODULE, LINK		H44550
27.1	LINK INTERFACE MODULE	1	(634935)
27.2	SCREW, #4-40 X 1/4" PH	4	(650480-01)
27.3	LABEL, LINK CONVER, FIELD INSTAL	1	(633034)
27.4	COVER, MODIFIED, INTFC PWB, +LINK	1	633231
27.5	CABLE HARNESS ASSY	1	634875
27.6	PWB ASSYLINK INTFC BRD-PAR/MS	1	633280
S1	SWITCH, DIP, SP ST	1	631012-04
U3	SOFTWARE ASSY, INTFC-PAR LINK+	1	633293-02
C1,3	CAPACITOR CER DISC, 50V(MIN)1PFTO8200	2	(650012-15)
C4, 5, 6, 8, 12	CAPACITOR CER 0.1MF 50V	5	650013-45
LP1	MOV 33VOLTS 500AMPS	1	650015
C11	CAPACITOR ELECT AX 25V 47MF	1	(650045-08)
R5, 6, 7	RESISTOR 1/4W 10% 4.7 K	3	650079-89
R1, 2,3, 4	RESISTOR 1/4W 10% 47 K	4	(650080-14)

Note: Part Number enclosed in brackets () are not available individually, but may be sold in assemblies or kits.

Ref.	Description	Qty.	Part Number
(VR1)	RIVET BLIND 1/8 X .328	1	(650139-05)
F1	FUSE 5X20MM 2AMPS	1	(650307-03)
(F1)	CLIP FUSE.197DIA PCB MNT	2	(650308)
(VR1)	HEATSINK TO-220 HP	1	(650335)
(U4)	SOCKET IC CARRIER 28PI	1	650518-02
U1	IC, INVERTER 74HC14	1	650540
CR1	BRIDGE RECTIFIER, 200V 4AMP SIP	1	650581-03
C7	CAPACITOR 2.2UFD 25V TANTALUM	1	650583-03
C2	CAPACITOR 22UFD 25V TANTALUM	1	650583-09
J1	CONNECTOR	1	(650610-05)
U2	IC, 74HC373 3 STATE OCT LATCH	1	650611
(J1)	JACK SOCKET KIT	1	(650620)
JP1	WIRE, A.I.	1	(650625-03)
Y1	CRYSTAL, 11.0592 MHZ	1	650721
U1	IC, 74LS367	1	650776
P1	HEADER .100CTR, 10CKT, LO PROFIL	1	(650872-10)
J2	HEADER, ST. SQ. PIN 2 POS.	1	(650893-02)
VR1	VOLTAGE REGULATOR 8V, 7808	1	650939
C9, 10	CAPACITOR ELECT AXIAL 25V 3300MF	2	(650954)
U4	IC, MICROCONTROLLER, 80C32	1	651031

Note: Part Number enclosed in brackets () are not available individually, but may be sold in assemblies or kits.



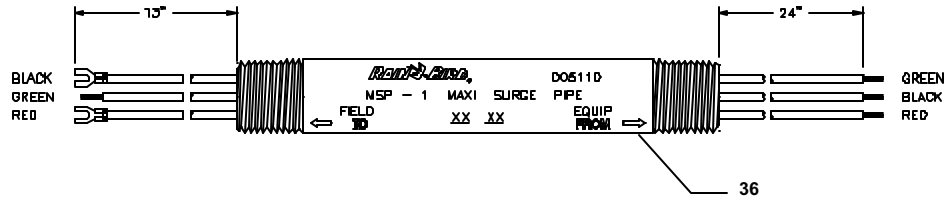
Ref.	Description	Qty.	Part Number
28	INTERCONNECT / PWR SUP SUB – ASSY PAR+ES		633226-03
28.1	COVER, INTCON PWB-PAR/MSC+	1	633208
28.2	SHIELD, INSUL, U.L.94-V0, P/I-PWB	1	633851
28.3	PWB POWER INTERFACE ASSY	1	(635513-01)
C1, 2, 5, 7, 8	CAPACITOR CER 0.1MF 50V	6	650013-45
LP1	MOV 33VOLTS 500AMPS	1	650015
(VR1)	WASHER, FLAT #5 .010	1	(650023-03)
CR3, 6, 7, 8	DIODE IN4148	4	650037-01
R1	RESISTOR 1/4W 10% 560 OHM	1	(650079-67)
R11, 12	RESISTOR 1/4W 10% 4.7 K	2	650079-89
R4, 14, 15	RESISTOR 1/4W 10% 5.6 K	4	(650079-91)
Q1	TRANSISTOR, NPN 600MW PN2222	1	650084
R3	RESISTOR, 10K-5%, 1/4W, C FILM	1	(650135-97)
P5	TERMINAL Q.DISK MALE	1	650138
(VR1)	RIVET BLIND 1/8 X .328	1	(650139-05)
R2, 10, 13	RESISTOR 1/2W 10% 2K	3	(650202-80)
U2	IC OPTO-COUPLER MCT6	1	650253
L1	INDUCTOR FERRITE	1	650300-05
Q2	TRANSISTOR PNP 625 MW	1	650369
U1	IC, INVERTER 74HC14	1	650540
CR1	BRIDGE RECTIFIER, 50V 4AMP SIP	1	650581-01
C2	CAPACITOR 22UF 25V TANTALUM	1	650583-09
CR2	TRANSIENT SUPPRESSOR 18V	1	650595-22
U4	IC, 3 STATE OCT LATCH, 74HC373	2	650611
J1, 2,3, 4	WIRE, A.I.	4	(650625-03)
K1	RELAY, SPDT, SMALL 5A 9V	1	650725-03
VR1	IC LM2940-5.0	1	650733
P3	HEADER .100CTR, 10CKT, LO PROFIL	1	(650872-10)

Note: Part Number enclosed in brackets () are not available individually, but may be sold in assemblies or kits.



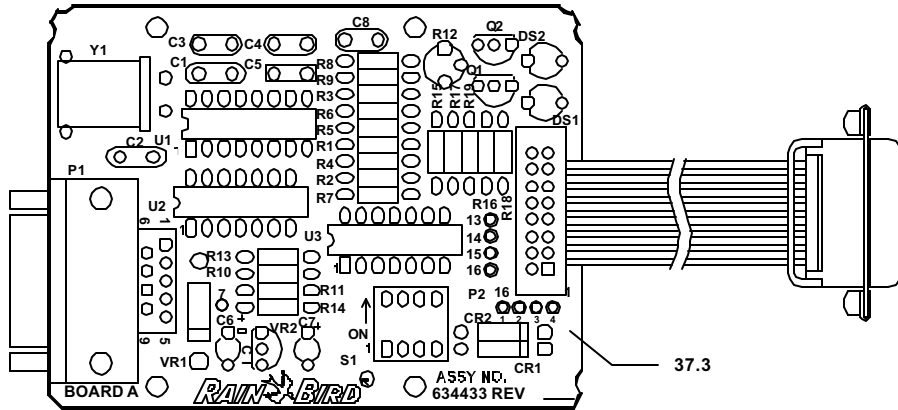
Ref.	Description	Qty.	Part Number
P2	HEADER .100 CTR 16 CKT	1	650872-16
P4	HEADER, LOW PROFILE 24 POS.	1	(650872-24)
LP2,3, 4, 5	MOV, 47 VOLTS 1000 AMPS	4	650875
P1	HEADER, ST. SQ. PIN 4 POS.	1	(650893-04)
TB1	SOCKET, HORIZONTAL 8 CRKT	1	(650900-08)
F1	FUSE, SLOW BLOW, 250V, 2.50A, 2AG	1	(650905-10)
DS1, DS2	LED, CLEAR RED SUPER BRIGHT	2	650910
C4	CAPACITOR, LOW PROFILE	1	(650950)
HS1	HEATSINK, PLATIC, HIGH PERFORM	1	(651019)
CB1	CIRCUIT BREAKER, 6.00 AMPS	1	651032-22
P6	HEADER, LOW PROFILE R ANGLE	1	(651050-05)
PT1, PT2	FUSE, SELF RESETTING, 1.85AMPS	2	651124-05
U5	IC BUFFER 74HC244	1	(651590)

Note: Part Number enclosed in brackets () are not available individually, but may be sold in assemblies or kits.



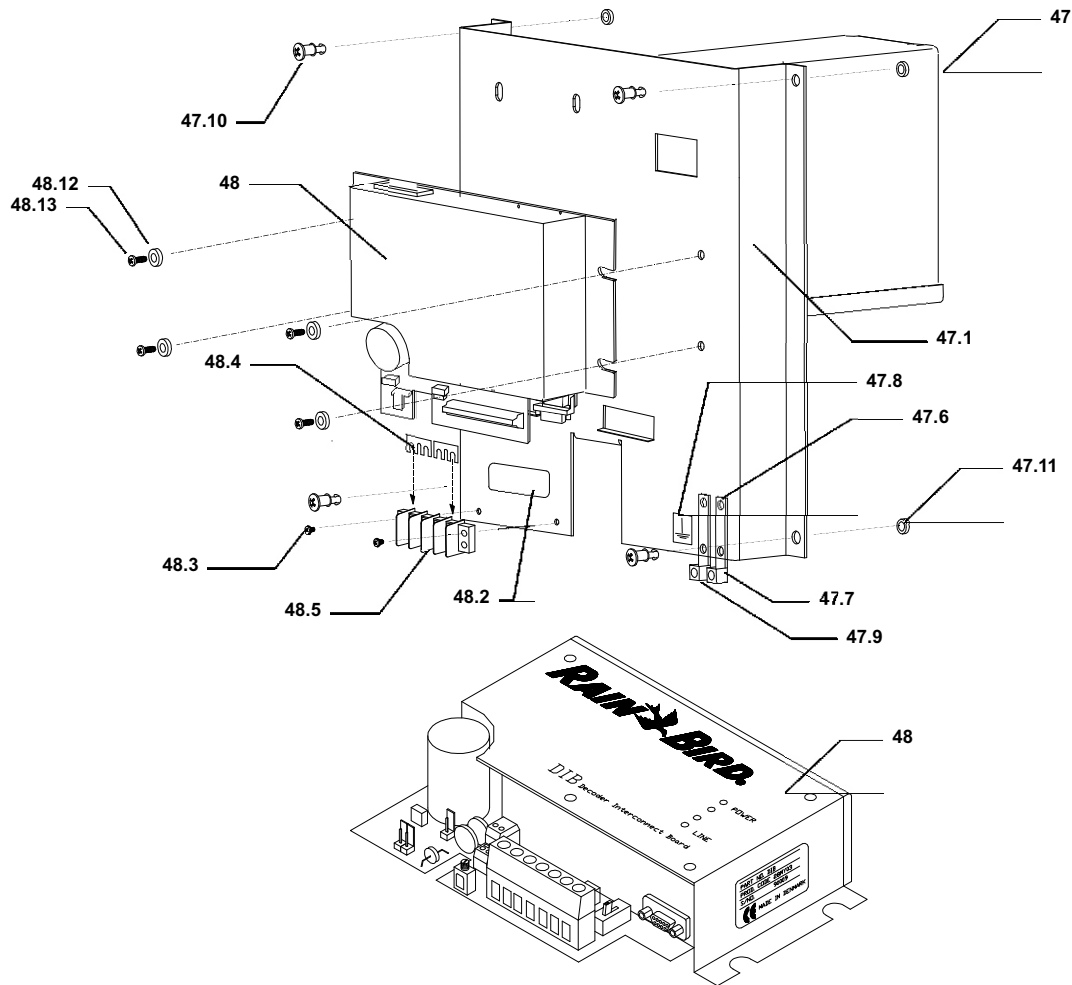
Ref.	Description	Qty.	Part Number
36	TWO WIRE PIPE SURGE PROTECTOR (MSP-1)		D05110

Note: Part Number enclosed in brackets () are not available individually, but may be sold in assemblies or kits.



Ref.	Description	Qty.	Part Number
37.3	ASSY WIRELESS MODEM		634433
C5	CAP RAD, 33MFD 50V	1	(626408)
P2	CABLE ASSY. COMBOX	1	(632367)
C1,3	CAPACITOR CER DISC, 50V(MIN)1PFTO8200	2	(650012-10)
C2, 4, 8	CAPACITOR CER 0.1MF 50V	3	650013-45
CR1	DIODE 1N4002	1	650077-02
R15, 16	RESISTOR 1/4W 10% 470 OHM	2	(650079-65)
R17, 18	RESISTOR 1/4W 10% 4.7 K	2	650079-89
R5	RESISTOR 1/4W 10% 10 K	1	(650079-97)
R3	RESISTOR 1/4W 10% 20 K	1	(650080-05)
R1, 2, 7, 10, 11, 13, 14, 19	RESISTOR 1/4W 10% 47 K	8	(650080-14)
R6	RESISTOR 1/4W 10% 56 K	1	(650080-16)
R4	RESISTOR 1/4W 10% 100 K	1	(650080-22)
(U1)	SOCKET, DIP, LOW PROFILE 16 PINS	1	(650081-03)
Q1, Q2	TRANSISTOR, NPN 600MW PN2222	2	650084
U2	IC, INVERTER 74HC14	1	650540
C7	CAPACITOR 2.2UF 25V TANTALUM	1	650583-03
C6	CAPACITOR 22UF 25V TANTALUM	1	650583-09
VR1	TRANSIENT SUPPRESSOR 18V	1	650595-22
(CR2)	WIRE, A.I.	1	(650625-03)
R12	POT, 10K OHM 1/4" SINGLE TURN	1	(650739-10)
Y1	CRYSTAL, 3.579545 MHZ	1	(650759)
DS1, 2	LED, CLEAR RED SUPER BRIGHT	2	650910
U3	IC QUAD 2-INPUT EX-OR	1	650937
VR2	VOLTAGE REGULATOR	1	650938
P1	CONNECTOR PLUG RIGHT ANGLE PC	1	(651130-02)
U1	IC, M X 614 1200 BPS	1	651141

Note: Part Number enclosed in brackets () are not available individually, but may be sold in assemblies or kits.



Ref.	Description	Qty.	Part Number (LINK)	Part Number (TWO WIRE)
47	DIB BRACKET ASSY	1	635867-01	
47	DIB BRACKET ASSY	1		635867-02
47.1	PLATE, DIB MOUNT, STEEL	1	(636078)	(636078)
47.2	LABEL, TWO WIRE TERMINAL BLOCK	0 (1)		(635228)
47.3	SCREW 6-32 X 3/8	2		(650105-28)
47.4	JUMPER 2 POSITION	2		(651516)
47.5	TERMINAL BLOCK (4 CIRCU)	1		(651501)
47.6	RIVET BLIND	4	(650422-13)	(650422-13)
47.7	LUG, SINGLE BARREL, COPER, TWO HL	1	(650892)	(650892)
47.8	LABEL, GROUND SYMBOL(IEC-5019)	1	(651037)	(651037)
47.9	LUG, SINGLE BARREL, COPPER TWO	1	(651350-02)	(651350-02)
47.10	STUD PHILLIPS, OVAL STEEL	4	(651511)	(651511)
47.11	RETAINER, BLACK NYLON	4	(651512)	(651512)
47.12	WASHER, FLAT #10 .032	4	(650023-13)	(650023-13)
47.13	SCREW, #8-32 X 3/8" PHIL	4	(650480-27)	(650480-27)
48	DECODER INTERFACE BOARD (DIB)	1	636104	636104

Note: Part Number enclosed in brackets () are not available individually, but may be sold in assemblies or kits.