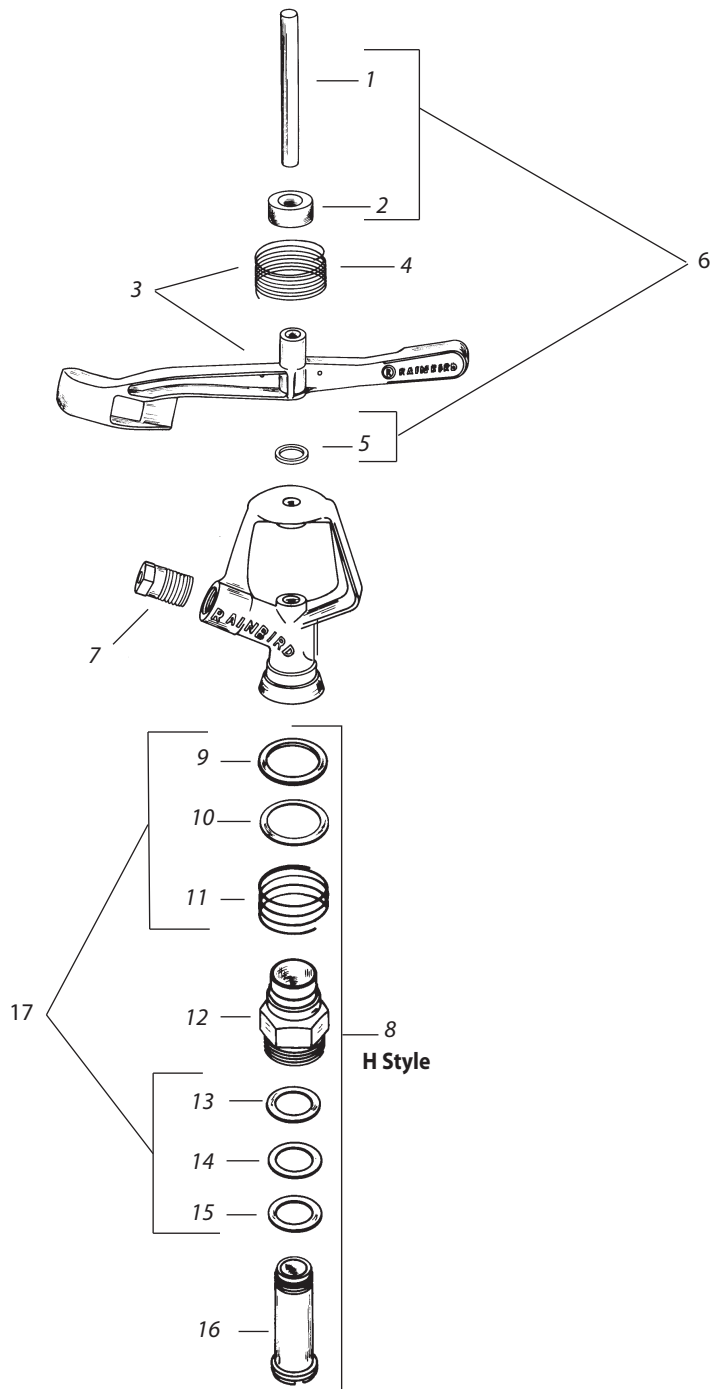


L3030H



Ref.	Part Description	L3030H
UPPER ASSEMBLY		
6	Fulcrum Kit	177419
1	Fulcrum Pin	(100271)
2	Arm Hood	(100968)
3	Arm Spring Assembly	177528
4	Arm Spring	(231061)
5	Arm Washer	(100270)
NOZZLES (Specify nozzle size when ordering)		
7	Straight Bore	105842
-	Plug	100289
BEARING ASSEMBLY		
8	Bearing Assembly	177424
9	Top Seal Washer (Green)	(103709)
10	Metal Top Seal Washer	(100312)
11	Bearing Spring	(106237)
12	Bearing Sleeve	(103670)
13	Bearing Washer (Black)	(100726)
14	Wear Washer (Orange)	(103058)
15	Seal Washer (Gray)	(102345)
16	Bearing Nipple	(103669)
17	Bearing Washer Assembly	177447
9	Top Seal Washer (Green)	(103709)
10	Metal Top Seal Washer	(100312)
13	Bearing Washer (Black)	(100726)
14	Wear Washer (Orange)	(103058)
15	Seal Washer (Gray)	(102345)

Note: Part numbers enclosed in brackets () are not available individually, but may be sold in assemblies or kits.