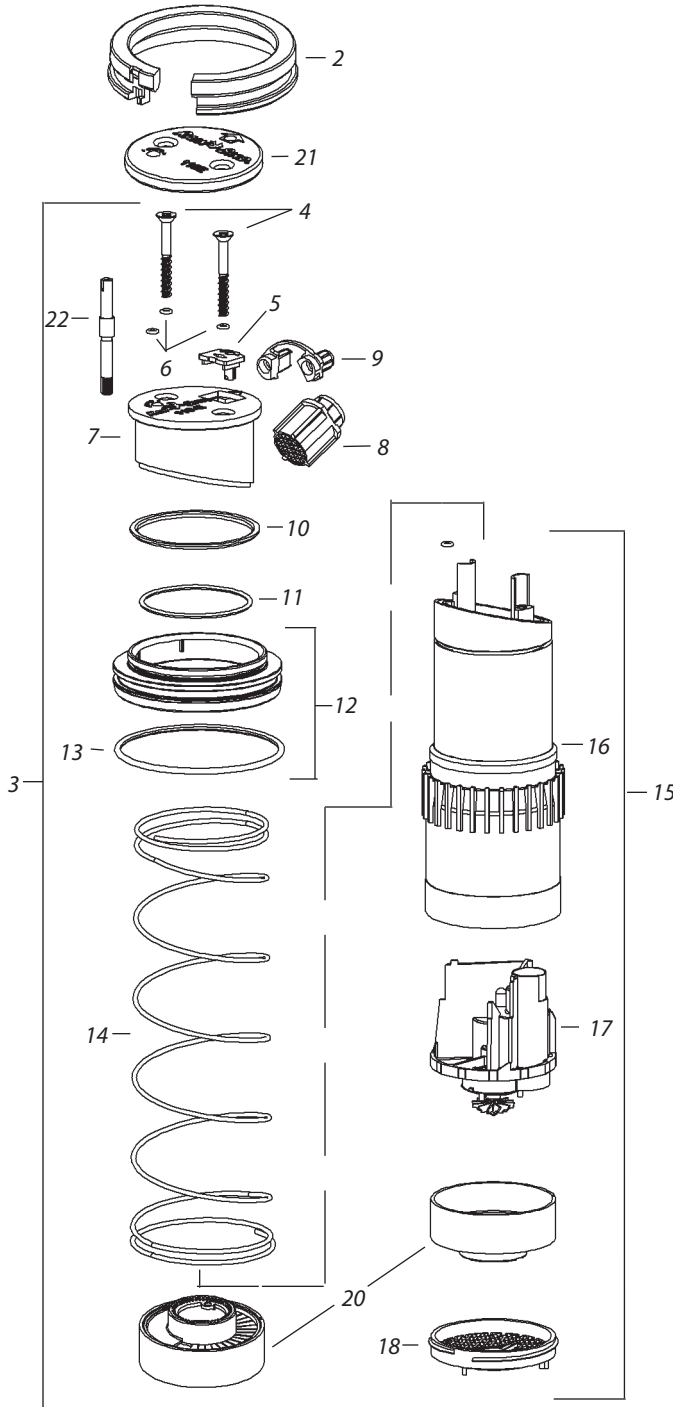


115-E SERIES PART CIRCLE INTERNAL ASSEMBLY



Ref.	Part Description	Qty	115-E
RUBBER COVER KIT			
2	Rubberized Snap Cover	1	212837
21	Rubber Cover, Housing	1	-
6	O-Ring, Screw	2	209778
INTERNAL ASSEMBLY			
3	Internal Assembly (A)	1	212831-xx
COVER ASSEMBLY			
4	Screw, Self Tapping #1/4-15	2	210975
5	Insert, Diffuser Housing	1	-
6	O-Ring, Screw	3	209778
22	Arc Adjustment Shaft	1	-
NOZZLES (Please specify nozzle size when ordering - See below)			
-	Nozzle/Housing Kit	1	212609-xx
7	Housing, Nozzle	1	-
8	Nozzle Assembly, Range	1	212604-xx
9	Nozzle Assembly, Spreader Dual	1	212611S
10	Seal, Retract (Nozzle Housing)	1	-
18	Screen, Riser	1	212178
BEARING/RISER-MOTOR ASSEMBLY			
11	O-Ring Nozzle Housing	1	212255S
12	Bearing Guide Assembly	1	-
13	O-Ring, Bearing Guide	1	212383
14	Spring, Retract	1	-
15	Riser Motor Assembly	1	212436S
16	Seal, Riser-Pop-Up	1	212172
17	Motor Housing (Replacement)	1	-
20	Stator Assembly - Common	1	212606
CASE ASSEMBLY (Please refer to EAGLE 900/950/1100/1150/115-E Series, catalog number 472)			
NS = Not Shown			

xx - Indicates nozzle size when ordering (i.e., #48 Blue, #57 Yellow, #63 Orange, #66 Green)

***Stator Setting Configurations Factory**

Color of Range Nozzle	Number	Electric Case Pressure Setting Psi (bars)		
		80(5.5)	100(6.9)	120(8.3)
Blue	#48			
	Set Stator to: ---	6	7	8
Yellow	#57			
	Set Stator to: ---	8	9	10
Orange	#63			
	Set Stator to: ---	10	11	12
Green	#66			
	Set Stator to: ---	12	13	14

* Stator settings to a lower number than factory will speed up rotation speed and shorten radius.

* Stator settings to a larger number than factory will slow rotation speed or cause non-rotation.

Note: Part numbers enclosed in brackets () are not available individually, but may be sold in assemblies or kits.