

**CATALOG  
NUMBER**
**DESCRIPTION**
**PRELIMINARY**

- 001 INDEX
- 002 INTRODUCTION & INSTRUCTIONS

**CLUSTER CONTROL UNIT (CCU)**

- 746 **CLUSTER CONTROL UNITS FOR MAXICOM (120 VOLT, 60 HZ MODELS)**  
CCU-28, CCU-6, 28, 6 Channels, Wall Mount, Stainless Steel Pedestal.
- 747 **CLUSTER CONTROL UNITS FOR MAXICOM (240 VOLT 50 HZ MODELS)**  
CCU-28, CCU-6, 28, 6 Channels, Wall Mount, Stainless Steel Pedestal.

**ESP SITE SATELLITE CONTROLLERS**

- 748 **ESP SITE SAT METAL WALL MOUNT (120 VOLT, 60 HZ MODELS)**  
ESP Site Sat, 12, 16, 24, 32, 40 Station.
- 749 **ESP SITE SAT PLASTIC WALL MOUNT (120 VOLT, 60 HZ MODELS)**  
ESP Site Sat, 12, 16, 24, 32, 40 Station.
- 750 **ESP SITE SAT STAINLESS STEEL (120 VOLT, 60 HZ MODELS)**  
ESP Site Sat, 12, 16, 24, 32, 40 Station.
- 751 **ESP SITE SAT METAL WALL MOUNT (240 VOLT, 50 HZ MODELS)**  
ESP Site Sat, 12, 16, 24, 32, 40 Station.
- 752 **ESP SITE SAT PLASTIC WALL MOUNT (240 VOLT, 50 HZ MODELS)**  
ESP Site Sat, 12, 16, 24, 32, 40 Station.
- 753 **ESP SITE SAT STAINLESS STEEL (240 VOLT, 50 HZ MODELS)**  
ESP Site Sat, 12, 16, 24, 32, 40 Station.

**ESP SATELLITE CONTROLLERS**

- 754 **TWO-WIRE COMMUNICATION CCU TO SATELLITE (120VOLT, 60 HZ MODELS)**  
ESP Sat, 12, 16, 24, 32, 40 Station.
- 755 **ESP SAT PLASTIC WALL MOUNT (120 VOLT, 60 HZ MODELS)**  
ESP Sat, 12, 16, 24, 32, 40 Station.
- 756 **ESP SAT STAINLESS STEEL (120 VOLT, 60 HZ MODELS)**  
ESP Sat, 12, 16, 24, 32, 40 Station.
- 757 **TWO-WIRE COMMUNICATION CCU TO SATELLITE (240 VOLT, 50 HZ MODELS)**  
ESP Sat, 12, 16, 24, 32, 40 Station.
- 758 **ESP SAT PLASTIC WALL MOUNT (240 VOLT, 50 HZ MODELS)**  
ESP Sat, 12, 16, 24, 32, 40 Station.

Note: Part Numbers enclosed in brackets ( ) are not available individually, but may be sold in assemblies or kits.

**CATALOG  
NUMBER**
**DESCRIPTION**

- 
- 759 **ESP SAT STAINLESS STEEL (240 VOLT, 50 HZ MODELS)**  
ESP Sat, 12, 16, 24, 32, 40 Station.
- 760 **ESP SAT METAL WALL MOUNT LINK (120 VOLT, 60 HZ MODELS)**  
ESP Sat, 12, 16, 24, 32, 40 Station.
- 761 **ESP SAT PLASTIC WALL MOUNT LINK (120 VOLT, 60 HZ MODELS)**  
ESP Sat, 12, 16, 24, 32, 40 Station.
- 762 **ESP SAT STAINLESS STEEL LINK (120 VOLT, 60 HZ MODELS)**  
ESP Sat, 12, 16, 24, 32, 40 Station.
- 763 **ESP SAT METAL WALL MOUNT LINK (240 VOLT, 50 HZ MODELS)**  
ESP Sat, 12, 16, 24, 32, 40 Station.
- 764 **ESP SAT PLASTIC WALL MOUNT LINK (240 VOLT, 50 HZ MODELS)**  
ESP Sat, 12, 16, 24, 32, 40 Station.
- 765 **ESP SAT STAINLESS STEEL LINK (240 VOLT, 50 HZ MODELS)**  
ESP Sat, 12, 16, 24, 32, 40 Station.

---

**ESP SITE SATELLITE RETROFITS FOR SS PEDESTALS**

- 766 **ESP SITE SATELLITE RETROFIT KITS (120 VOLT, 50 HZ MODELS)**  
ESP Site Sat, 12, 16, 24, 32, 40 Station, Controller Kit for Stainless Pedestals.
- 767 **ESP SITE SATELLITE RETROFIT KITS (240 VOLT, 60 HZ MODELS)**  
ESP Site Sat, 12, 16, 24, 32, 40 Station, Controller Kit for Stainless Pedestals.

---

**ESP SATELLITE RETROFITS KITS FOR SS PEDESTALS**

- 768 **TWO-WIRE COMMUNICATION CCU TO SATELLITE (120 VOLT, 60 HZ MODELS)**  
ESP Sat, 12, 16, 24, 32, 40 Station, Controller Kit for Stainless Pedestals.
- 769 **LINK RADIO COMMUNICATION CCU TO SATELLITE (120 VOLT, 60 HZ MODELS)**  
ESP Sat, 12, 16, 24, 32, 40 Station, Controller Kit for Stainless Pedestals.
- 770 **TWO-WIRE COMMUNICATION CCU TO SATELLITE (240 VOLT, 50 HZ MODELS)**  
ESP Sat, 12, 16, 24, 32, 40 Station, Controller Kit for Stainless Pedestals.
- 771 **LINK RADIO COMMUNICATION CCU TO SATELLITE (240 VOLT, 50 HZ MODELS)**  
ESP Sat, 12, 16, 24, 32, 40 Station, Controller Kit for Stainless Pedestals.

Note: Part Numbers enclosed in brackets ( ) are not available individually, but may be sold in assemblies or kits.

Rain Bird is committed to providing you with the best parts and after sales service programs in the irrigation industry. This Master Parts Book represents that commitment by supplying you with current information so that you can obtain replacement parts for your Rain Bird products. We hope you will find this book useful as you purchase and use Genuine Rain Bird Parts.

#### HOW TO USE THE MASTER PARTS BOOK (SEE NEXT PAGE FOR EXAMPLE)

The Master Parts Book was designed to be easy. There is a simple index which allows you to quickly locate the part list you need. Each part list has a simple format. Just follow these guidelines and you should easily find the part you want.

1. First look at the picture to identify the part in which you are interested. Note the reference number of the part.
2. Look at the headings on the part list matrix and find the product model which you need parts for. Look down the column until you reach the row with the reference number of the part you previously identified. At that intersection is the part number you need.
3. If the part number you need IS NOT IN BRACKETS ( ) then the part can be purchased by itself. However, if the part IS IN BRACKETS ( ) then the part is either not sold or it must be purchased in a kit or an assembly.

#### HOW TO ORDER PARTS (Rain Bird Distributors Only)

Rain Bird Distributors can order parts in a number of ways. Orders for parts can be placed by telephone, fax or Rain Bird's Rain Net computer ordering system.

		Telephone	Fax
Rain Bird Agri-Products Co.	Glendora, CA	800-435-5624	800-318-7743
Rain Bird Sales (Commercial/ Contractor)	Tucson, AZ	800-282-1933	800-843-4162
Rain Bird Golf	Azusa, CA	800-984-2255	800-446-5309
Rain Bird International	Glendora, CA	01-626-852-7313	01-626-318-7743
Rain Bird Consumer Products	San Diego, CA	800-435-5672	800-232-9472

#### HOW PARTS ARE SHIPPED (Rain Bird Distributors Only)

Rain Bird parts are shipped in one of two ways:

**Regular parts orders** are shipped like your normal Rain Bird orders with the same processing times and freight polices. They can, however, include both parts and whole goods.

**Quick parts service orders (Q.P.S.)** are special parts only orders that ship quickly to your door. We process them in one day and ship them out using U.P.S., Emery or DHL depending on your location. Domestic customers receive prepaid freight on orders over \$250.00 net and international customers have a special flat rate for freight. There is NO MINIMUM on Q.P.S. parts orders. Most Q.P.S. orders are received at your door within 2 to 5 days. We encourage you to use Q.P.S. whenever you need quick delivery.

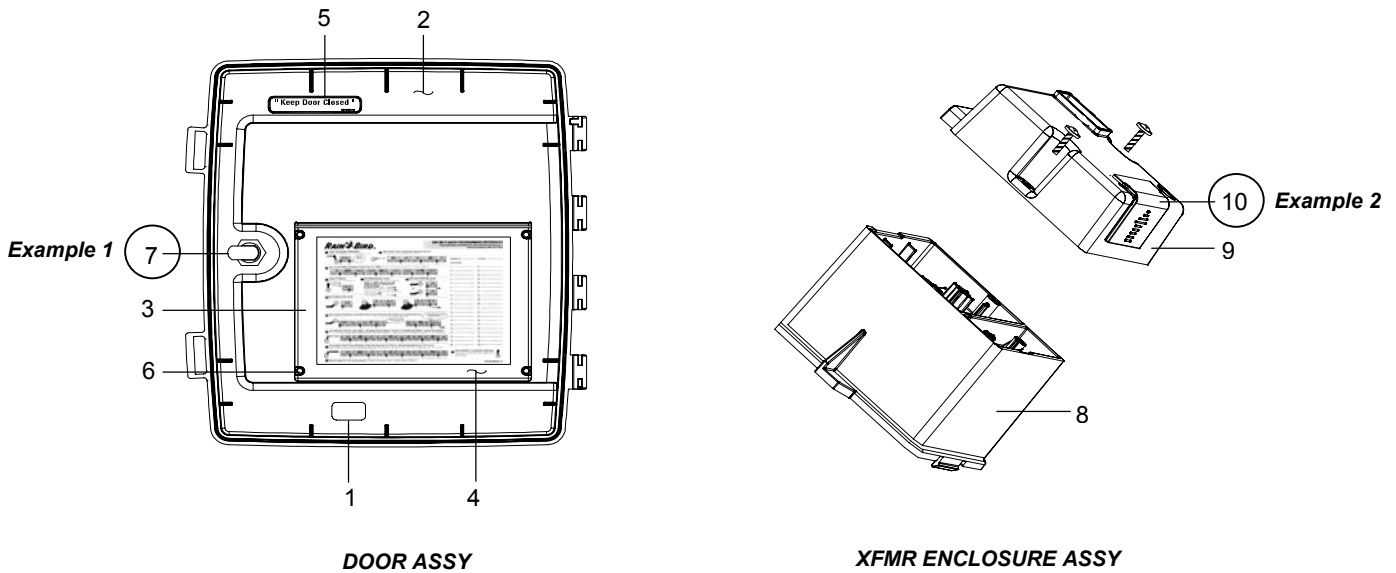
## Q.P.S. – The Quick Way to Receive Rain Bird Parts!

Note: Part Numbers enclosed in brackets ( ) are not available individually, but may be sold in assemblies or kits.

**(THIS PAGE IS AN EXAMPLE ONLY, DO NOT USE FOR REFERENCING PARTS.)**

**Example 1.** You need the cam lock of the Plastic wall Mount, 24 station, 240 Volt, 50 Hz, Satellite Controller. First find the reference number for the cam lock on the picture (number 7). Second, look at the headings on the parts list matrix and find the 24 Station. Third, go down the 24 Station column to reference number 7. The part number you need is 650755. This part can be purchased by itself.

**Example 2.** You need the cover fuse. As before, find the reference number on the picture (number 10). Next, find the 24 Station columns and go down the list to reference number 10. The part number you need is 633779. Since part 633779 is in brackets is not available by itself. You can purchase the assembly 634383-02, this assembly is not in brackets.



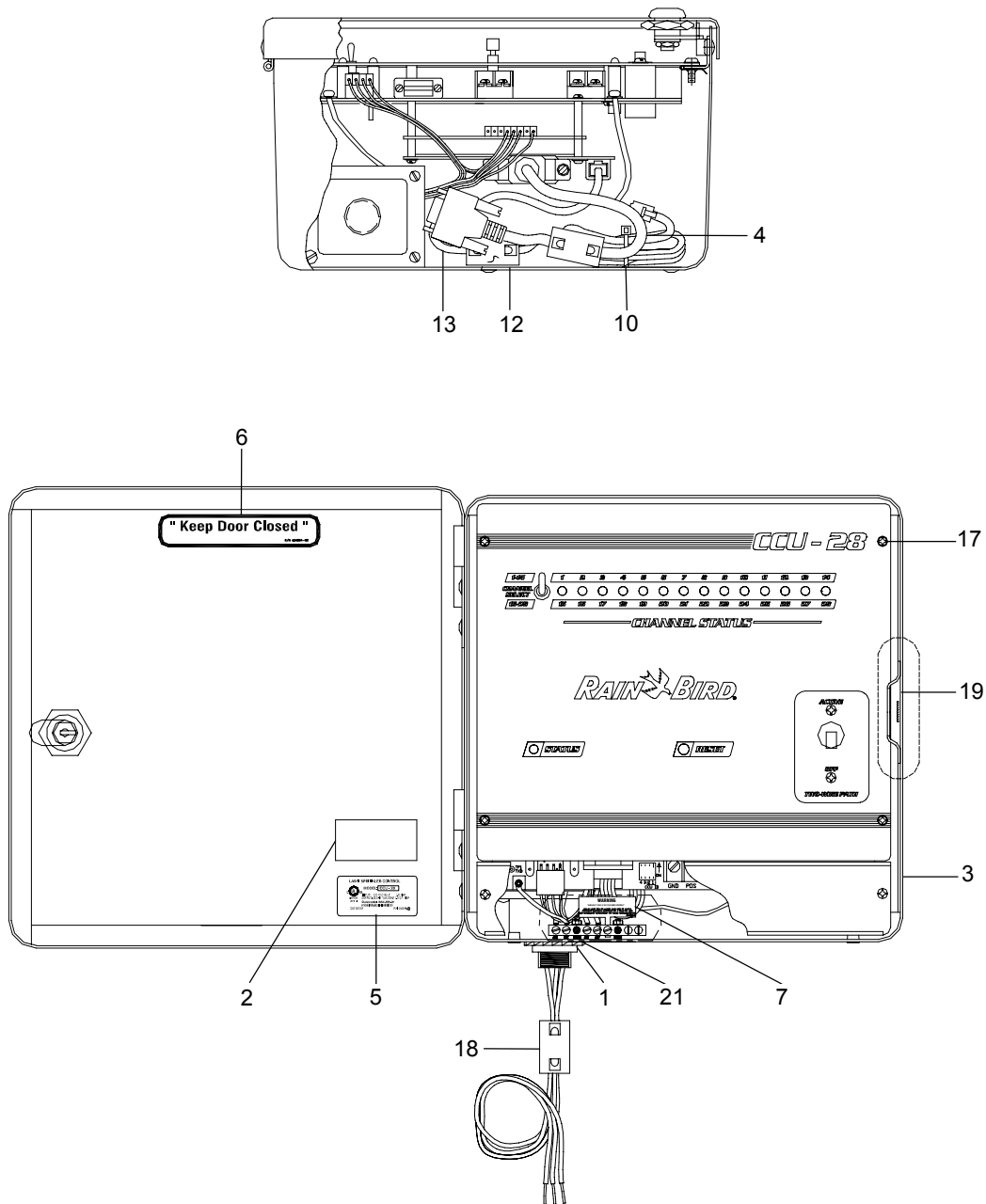
Ref.	Description	Qty.	12	16	24	32	40
<b>DOOR ASSY</b>			(634384)	(634384)	(634384)	(634384)	(634384)
1	Label Fcc Compliance	1	(629941)	(629941)	(629941)	(629941)	(629941)
2	Enclosure Cabinet Top	1	(633781-01)	(633781-01)	(633781-01)	(633781-01)	(633781-01)
3	Pocket, Cabinet Top	1	(633783-01)	(633783-01)	(633783-01)	(633783-01)	(633783-01)
4	Quick Prog. Guide	1	634389	634389	634389	634389	634389
5	Label, Keep Door Closed	1	(634501)	(634501)	(634501)	(634501)	(634501)
6	Screw, 6-19 x 7/16 Hi-lo W/Wshr	4	(650563-47)	(650563-47)	(650563-47)	(650563-47)	(650563-47)
7	Lock, Cam	1	650755	650755	650755	650755	650755
<b>XFMR ENCLOSURE ASSY</b>			634383-02	634383-02	634383-02	634383-02	634383-02
8	Enclosure, Transformer Top Im	1	(633777)	(633777)	(633777)	(633777)	(633777)
9	Cover, High Voltage Board	1	(633778)	(633778)	(633778)	(633778)	(633778)
10	Cover, Fuse Pcb, Im	1	(633779)	(633779)	(633779)	(633779)	(633779)
-	Enclosure, Transformer Bottom	1	(633822)	(633822)	(633822)	(633822)	(633822)
-	Xfmr Power 120.230 Vac	1	(634238)	(634238)	(634238)	(634238)	(634238)
-	Screw 6-20 625L Sif Tpg	2	(650104-24)	(650104-24)	(650104-24)	(650104-24)	(650104-24)
-	Closed End, Splice	1	(650828)	(650828)	(650828)	(650828)	(650828)
-	Terminal Block	1	(651382)	(651382)	(651382)	(651382)	(651382)

**(THIS PAGE IS AN EXAMPLE ONLY, DO NOT USE FOR REFERENCING PARTS.)**

Note: Part Numbers enclosed in brackets ( ) are not available individually, but may be sold in assemblies or kits.

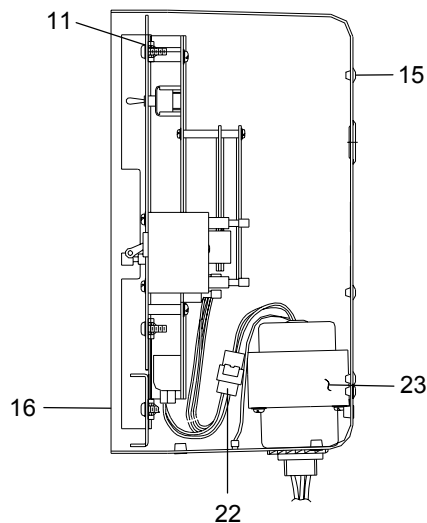


**CONTROLLER ASSEMBLY**

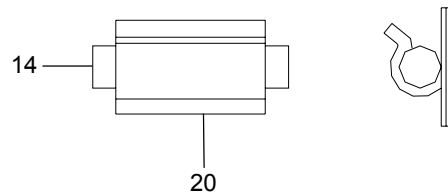


Ref.	Description	Qty.	CCU-6 120V60Hz	CCU-28 120V60Hz	ICCU-6 240V50Hz	ICCU-28 240V50Hz
<b>CONTROLLER ASSEMBLY</b>			(633412-02)	(633412-01)	(633412-04)	(633412-03)
1	Locknut Conduit	1	(628013)	(628013)	(628013)	(628013)
2	Label FCC Compliance	1	(629941)	(629941)	(629941)	(629941)
3	Panel Access Gray	1	630873	630873	630873	630873
4	Cable Assy, Rs-232,DB95/DB25p	1	(632313-12)	(632313-12)	(632313-12)	(632313-12)

Note: Part Numbers enclosed in brackets ( ) are not available individually, but may be sold in assemblies or kits.



**TRANSFORMER ASSEMBLY**

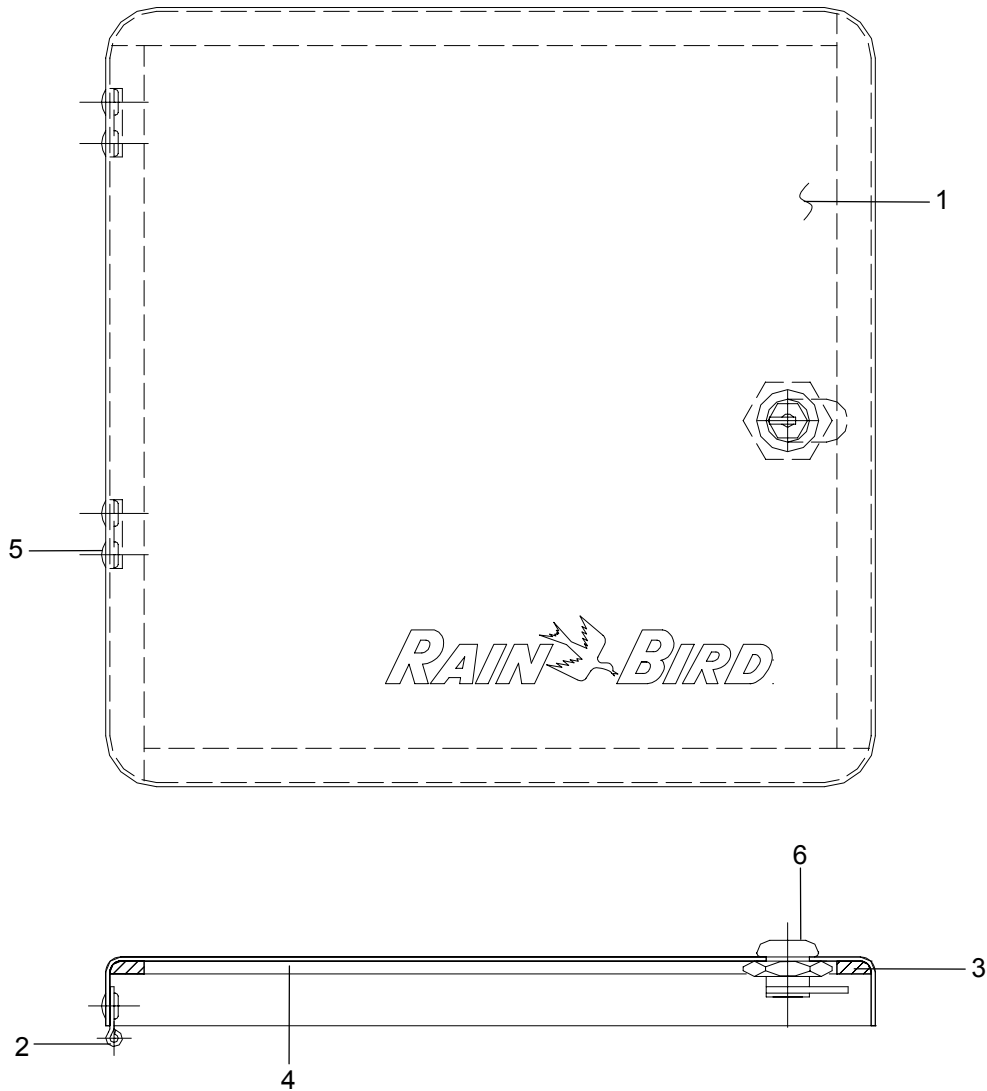


**FUSE HOLDER VIEW**

Ref.	Description	Qty.	CCU-6 120V60Hz	CCU-28 120V60Hz	ICCU-6 240V50Hz	ICCU-28 240V50Hz
<b>CONTROLLER ASSEMBLY, CONT.</b>						
5	Label Rating	1	(634385-19)	(634385-19)	(634385-20)	(634385-20)
6	Label, Keep Door Closed	1	(634501)	(634501)	(634501)	(634501)
7	Label Warning Grounding	1	(634502)	(634502)	(634502)	(634502)
-	Label Warning Corrosion	1	(634558)	(634558)	(634558)	(634558)
-	Label, Keyhole	2	(635011)	(635011)	(635011)	(635011)
10	Cable Tie, Nylon 7/8 Bundle	1	650131	650131	650131	650131
11	Nut Clip On	6	(650133)	(650133)	(650133)	(650133)
12	Foam	2	(650200-38)	(650200-38)	(650200-38)	(650200-38)
13	Cable Assy, Mod Plug Cond. 4	1	(650342-07)	(650342-07)	(650342-07)	(650342-07)
14	Fuse, Slow Blow, 250V, 1 6/10 Amp	1	650431-24	650431-24	650431-24	650431-24
15	Plug, Hole .187 Nylon White	4	(650485-02)	(650485-02)	(650485-02)	(650485-02)
16	Plug, Hole .250 Nylon White	5	(650485-04)	(650485-04)	(650485-04)	(650485-04)
17	Screw, 6-18 x 5/8"	6	(650565-26)	(650565-26)	(650565-26)	(650565-26)
18	Filter, Cable Snap-On Ferrite	3	(650659)	(650659)	(650659)	(650659)
19	Impregnated Foam Corrosion Inh	1	(651331)	(651331)	(651331)	(651331)
20	Holder, Fuse, Adhesive Mount, CCU	1	(651333)	(651333)	(651333)	(651333)
21	Lock, Washer, External Tooth	1	(651389)	(651389)	(651389)	(651389)
<b>TRANSFORMER ASSEMBLY</b>			632496	632496	(632531)	(632531)
22	Recept, 6Pin W/Ears White	1	622980	622980	622980	622980
-	Terminal Pin, Female Molex	4	622985	622985	622985	622985
23	Xfmr, Power Wireless/60Hz	1	(632000)	(632000)	-	-
23	Xfmr, Power Wireless/50Hz	1	-	-	(632532)	(632532)
-	Cable Tie, Nylon 7/8 Bundle	2	650131	650131	650131	650131

Note: Part Numbers enclosed in brackets ( ) are not available individually, but may be sold in assemblies or kits.

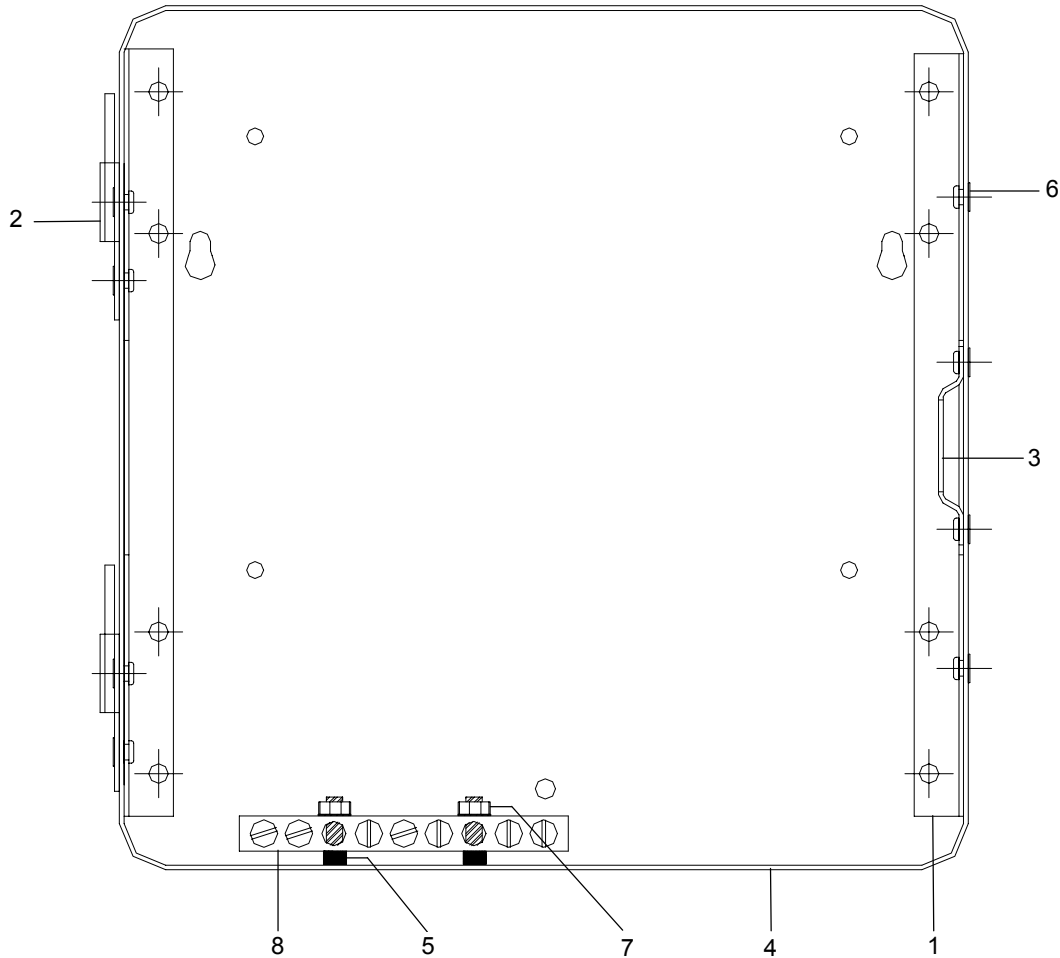
**DOOR ASSEMBLY**



Ref.	Description	Qty.	CCU-6 120V60Hz	CCU-28 120V60Hz	ICCU-6 240V50Hz	ICCU-28 240V50Hz
<b>DOOR ASSEMBLY</b>			629321-03	629321-03	629321-03	629321-03
1	Door, Painted Gray	1	(629113-03)	(629113-03)	(629113-03)	(629113-03)
2	Hinge, Slip Joint F	2	(629227-02)	(629227-02)	(629227-02)	(629227-02)
3	Gasket Foam 10.63	2	(629620-01)	(629620-01)	(629620-01)	(629620-01)
4	Gasket Foam 10.43	2	(629620-02)	(629620-02)	(629620-02)	(629620-02)
5	Rivet Semi Tubular Oval A	4	(650401)	(650401)	(650401)	(650401)
6	Lock Cam	1	650755	650755	650755	650755

Note: Part Numbers enclosed in brackets ( ) are not available individually, but may be sold in assemblies or kits.

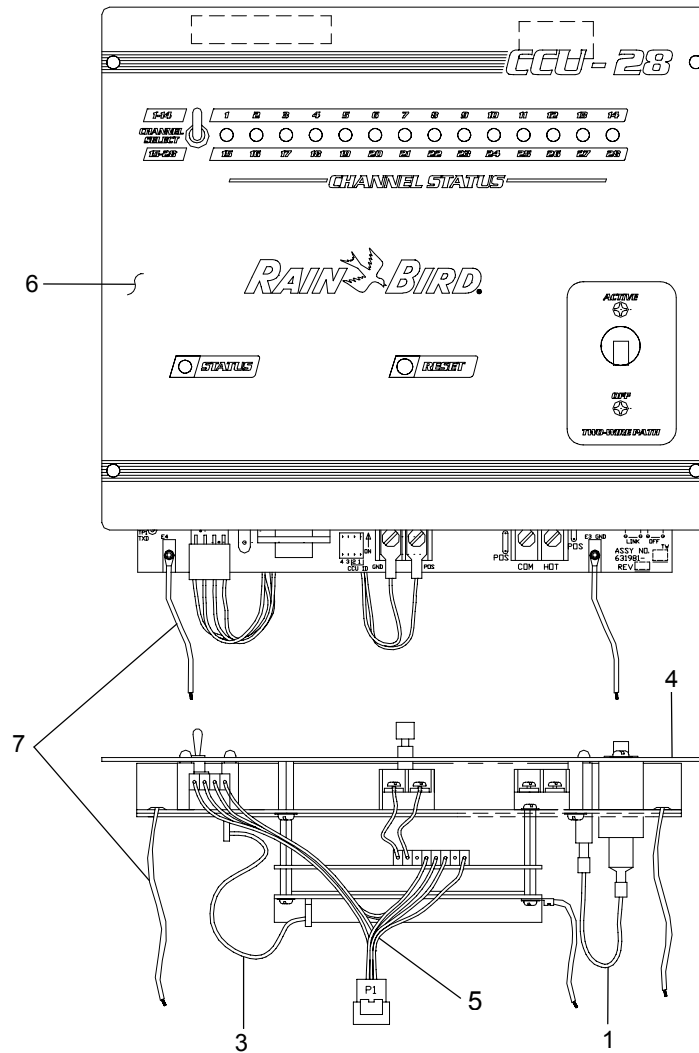
**CABINET ASSEMBLY**



Ref.	Description	Qty.	CCU-6 120V60Hz	CCU-28 120V60Hz	ICCU-6 240V50Hz	ICCU-28 240V50Hz
<b>CABINET ASSEMBLY</b>			(633166-02)	(633166-02)	(633166-02)	(633166-02)
1	Rail Mounting	2	(629205)	(629205)	(629205)	(629205)
2	Hinge Slip Joint	2	(629227-01)	(629227-01)	(629227-01)	(629227-01)
3	Strike Lock	1	(629234)	(629234)	(629234)	(629234)
4	Cabinet Draw Formed	1	(634126-03)	(634126-03)	(634126-03)	(634126-03)
5	Nut, PI, Hex, #8-32, Cres, PSVTD	2	(650033-04)	(650033-04)	(650033-04)	(650033-04)
6	Rivet Semi Tubular Oval A	8	(650401)	(650401)	(650401)	(650401)
7	Nut, #8-32 Hex w/star Washer	2	(650634-04)	(650634-04)	(650634-04)	(650634-04)
8	Bar Bus Grounding	1	(651440)	(651440)	(651440)	(651440)

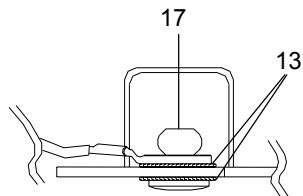
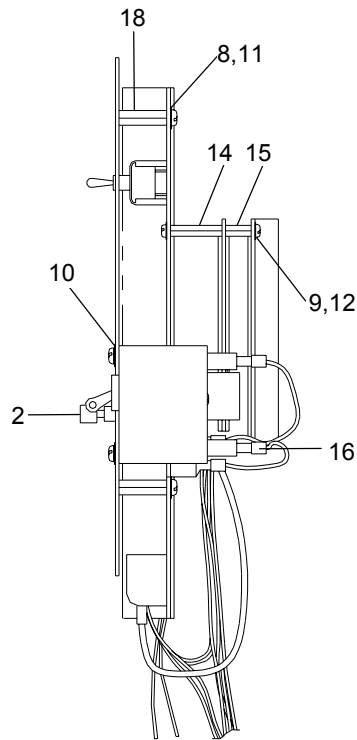
Note: Part Numbers enclosed in brackets ( ) are not available individually, but may be sold in assemblies or kits.

**FRONT PANEL ASSEMBLY**



Ref.	Description	Qty.	CCU-6 120V60Hz	CCU-28 120V60Hz	ICCU-6 240V50Hz	ICCU-28 240V50Hz
<b>FRONT PANEL ASSEMBLY</b>			(633415-02)	(633415-01)	(633415-02)	(633415-01)
1	Wire 22 Awg White	2	(624204-09)	(634204-09)	(634204-09)	(634204-09)
2	Circuit Breaker Magnetic 0.5A	1	625554	625554	625554	625554
-	Label Date Code	1	(627867)	(627867)	(627867)	(627867)
3	Cable Strip 4" 12 Cond	1	629191	629191	629191	629191
-	Label Serial CCU-J	1	(629210-02)	(629210-01)	(629210-02)	(629210-01)
4	Front Panel (Gray)	1	(631284)	(631284)	(631284)	(631284)
5	Cable Assy	1	632442	632442	632442	632442
6	Overlay	1	(633517)	(633556)	(633517)	(633556)
7	Ground Wire Assy 12 Awg (19)	3	(634943-19)	(634943-19)	(634943-19)	(634943-19)
8	Washer #6 Nylon	6	(650059-03)	(650059-03)	(650059-03)	(650059-03)
9	Screw 4-40 3/8L PN HD	8	(650105-15)	(650105-15)	(650105-15)	(650105-15)
10	Screw Mach 6-234 1/4	2	(650105-26)	(650105-26)	(650105-26)	(650105-26)

Note: Part Numbers enclosed in brackets ( ) are not available individually, but may be sold in assemblies or kits.

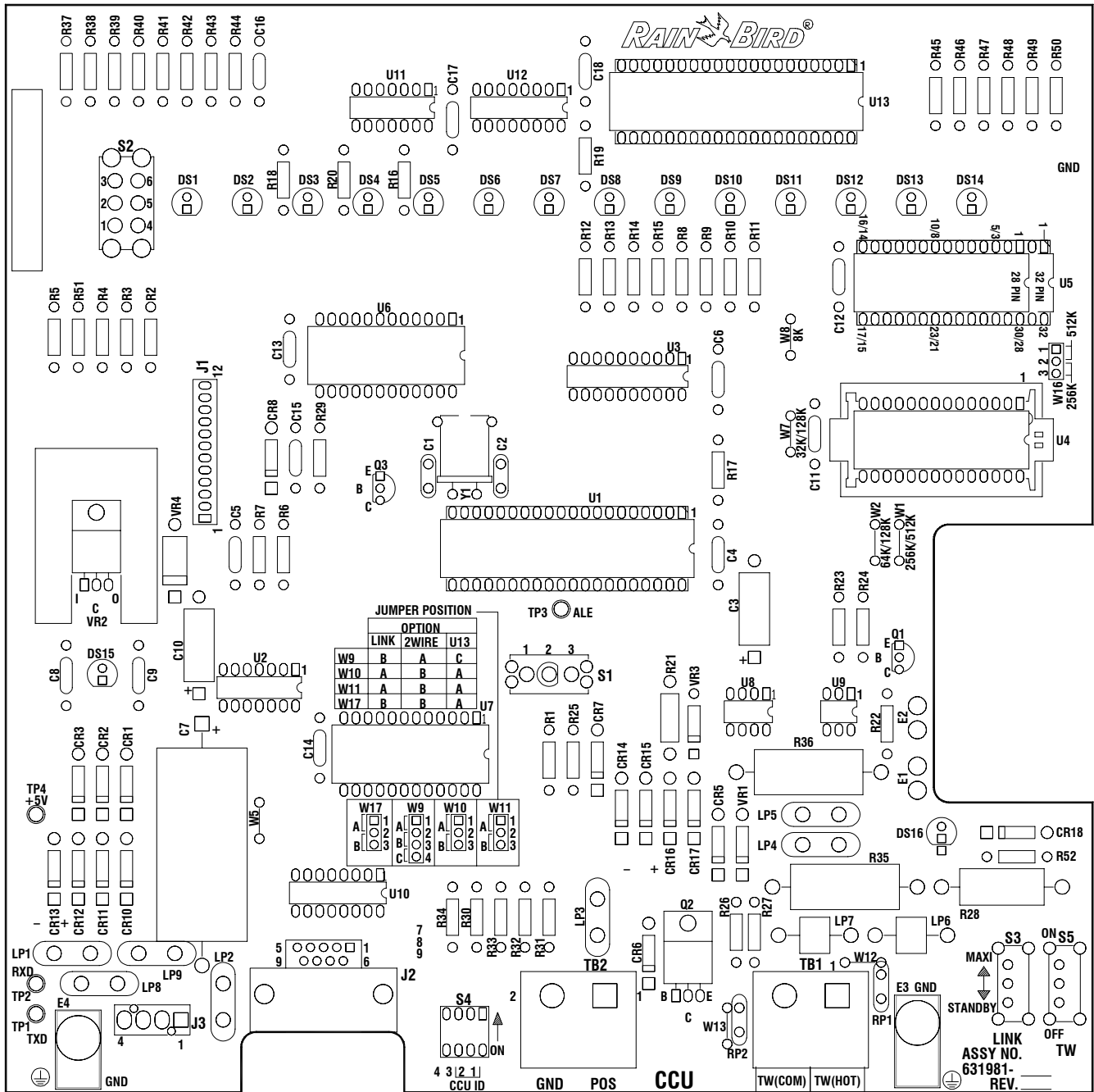


**VIEWED FROM LEFT SIDE  
 OF THE CONTROLLER**

Ref.	Description	Qty.	CCU-6 120V60Hz	CCU-28 120V60Hz	ICCU-6 240V50Hz	ICCU-28 240V50Hz
<b>FRONT PANEL ASSEMBLY, CONT.</b>						
11	Screw 6-32 x 3/8	6	(650105-28)	(650105-28)	(650105-28)	(650105-28)
12	Washer Lock #4	8	(650158-03)	(650158-03)	(650158-03)	(650158-03)
13	Washer Lk, #10, Ex-Tooth, ZPltd	4	(650162-04)	(650162-04)	(650162-04)	(650162-04)
14	Standoff, 3/16, Hex 4-40 1.0 Nylon	4	650285-12	650285-12	650285-12	650285-12
15	Standoff, Al, M/F	4	650319-13	650319-13	650319-13	650319-13
16	Terminal Q Disc Female .25	4	(650390)	(650390)	(650390)	(650390)
17	Rivet, Blind 0.19	2	(650434-13)	(650434-13)	(650434-13)	(650434-13)
18	Standoff .25, Hex, 6-32, 13/16, Al	6	(650582-12)	(650582-12)	(650582-12)	(650582-12)

Note: Part Numbers enclosed in brackets ( ) are not available individually, but may be sold in assemblies or kits.

**PWB ASSY CCU**



Note: Part Numbers enclosed in brackets ( ) are not available individually, but may be sold in assemblies or kits.

Ref.	Description	Qty.	CCU-6 120V60Hz	CCU-28 120V60Hz	ICCU-6 240V50Hz	ICCU-28 240V50Hz
<b>PWB ASSY CCU</b>			(631981-02)	631981-01	(631981-02)	631981-01
LP6,7	Lightning Arrester	2	624625	624625	624625	624625
S4	Dipswitch	1	631012-04	631012-04	631012-04	631012-04
-	Label, Bar Code	1	(631356-01)	(631356-01)	(631356-01)	(631356-01)
J3	Header, .156cyrs. Right Angle	1	(631466-04)	(631466-04)	(631466-04)	(631466-04)
-	Printed Wiring Board	1	(631987)	(631987)	(631987)	(631987)
U5	Ic Sram 128k X 8 Cmos	1	632150	632150	632150	632150
U5-2	Ic Clock/Battery Socket	1	632151	632151	632151	632151
U4	Ic,Prom Assy	1	(633614-57)	(633614-57)	(633614-57)	(633614-57)
C1,2	Capacitor, Ceramic Disc 30pf,50v	2	(650012-15)	(650012-15)	(650012-15)	(650012-15)
LP1.LP8	Mov 33volts 500amps	2	650015	650015	650015	650015
LP2-5,9	Mov 68volts 500amps	5	650016	650016	650016	650016
VR3	Diode Zener 4.7v,500mw	1	(650038-37)	(650038-37)	(650038-37)	(650038-37)
C10	Capacitor Elec, Axial 47uf,10v	1	(650044-03)	(650044-03)	(650044-03)	(650044-03)
C7	Capacitor Elec, Axial 220uf,25v	1	(650045-18)	(650045-18)	(650045-18)	(650045-18)
CR1-3,CR5-8, CR10-18	Diode,Gen Purpose,1a	16	650077-02	650077-02	650077-02	650077-02
R27	Resistor,Carbon Film,1/4w100	1	650079-49	650079-49	650079-49	650079-49
R25	Resistor, Carbon Film,1/4w270	1	(650079-59)	(650079-59)	(650079-59)	(650079-59)
R-26,51	Res,Carbon Film,1/4w 1k	2	(650079-73)	(650079-73)	(650079-73)	(650079-73)
R43-50	Res,Carbon Film,1/4w 1k	8	-	(650079-73)	-	(650079-73)
R37-42	Res,Carbon Film,1/4w 1k	6	(650079-73)	(650079-73)	(650079-73)	(650079-73)
R22	Res,Carbon Film,1/4w 2k	1	(650079-80)	(650079-80)	(650079-80)	(650079-80)
R1-15,R17,19	Res,Carbon Film,1/4w 10k	17	(650079-97)	(650079-97)	(650079-97)	(650079-97)
R16,18,20, R30-34	Res,Carbon Film,1/4w 10k	8	(650079-97)	(650079-97)	(650079-97)	(650079-97)
R23,24,52	Res,Carbon Film,1/4w 15k	3	(650080-02)	(650080-02)	(650080-02)	(650080-02)
U1,U13	Socket, Dip, Low-Profile	2	650081-09	650081-09	650081-09	650081-09
C3	Cap, Elec, Axial,10uf,16v	1	(650083-01)	(650083-01)	(650083-01)	(650083-01)
Q1	Transistor,Npn,600mw	1	650084	650084	650084	650084
C4-6,8,9, C11,12,14	Capacitor Ceramic,Axial,0.1uf,50v	8	(650085-55)	(650085-55)	(650085-55)	(650085-55)
C13	Capacitor Ceramic,Axial,0.1uf,50v	1	(650085-55)	(650085-55)	(650085-55)	(650085-55)
C16-18	Capacitor Ceramic,Axial,0.1uf,50v	3	(650085-55)	(650085-55)	(650085-55)	(650085-55)
-	Grease Heatsink	.0001	(650101)	(650101)	(650101)	(650101)
E1,2	Terminal, Quick Connect	2	650138	650138	650138	650138
VR2	Rivet, Blind, Aluminum	1	(650139-05)	(650139-05)	(650139-05)	(650139-05)
-	Solder	.0001	(650160)	(650160)	(650160)	(650160)
R21	Res, Carbon Film,1/2w 2.2k	1	(650202-81)	(650202-81)	(650202-81)	(650202-81)
U11	Ic, Dial D-Type Flip-Flops	1	650271	650271	650271	650271

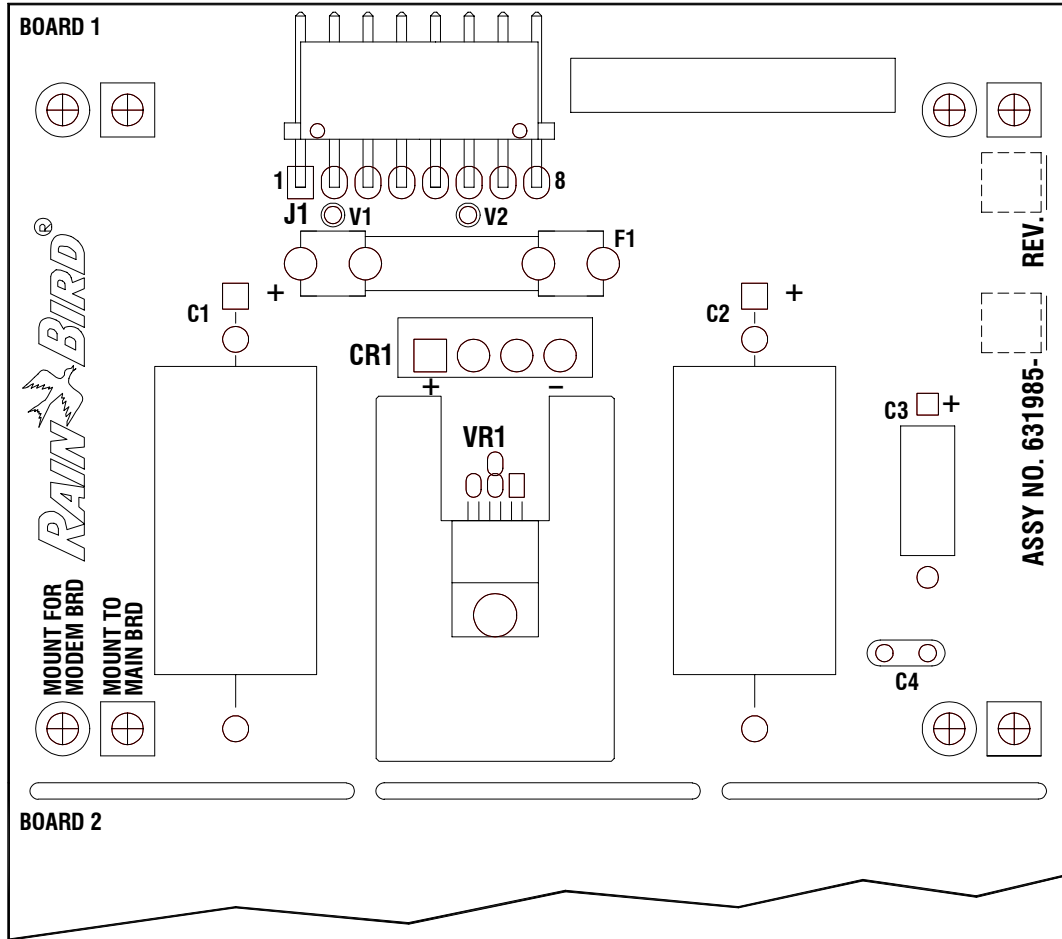
Note: Part Numbers enclosed in brackets ( ) are not available individually, but may be sold in assemblies or kits.



Ref.	Description	Qty.	CCU-6 120V60Hz	CCU-28 120V60Hz	ICCU-6 240V50Hz	ICCU-28 240V50Hz
<b>PWB ASSY CCU, CONT.</b>						
U6	Ic, I/O Expander	1	650328	650328	650328	650328
VR2	Voltage Regulator, +5v	1	650332	650332	650332	650332
Y1	Crystal, Quartz	1	650334	650334	650334	650334
VR2	Heatsink, High Power	1	(650335)	(650335)	(650335)	(650335)
TP1-5	Terminal, Test Point	5	(650336-01)	(650336-01)	(650336-01)	(650336-01)
S3	Switch, Slide, Spdt	1	650353	650353	650353	650353
TB1, TB2	Terminal Block, .437 Ctrs	2	(650368-02)	(650368-02)	(650368-02)	(650368-02)
R28	Res, Carbon Comp., 2w 1k	1	(650378-63)	(650378-63)	(650378-63)	(650378-63)
S2	Switch Toggle, Dpdt, 3pos	1	-	650383	-	650383
S1	Switch	1	650384	650384	650384	650384
R35, 36	Resistor, Fireproof, 5w	2	(650393-33)	(650393-33)	(650393-33)	(650393-33)
J1	Header, .100ctrs 12pins	1	(650415-12)	(650415-12)	(650415-12)	(650415-12)
W9-11, 16	Jumper, Shorting .100ctrs	4	(650417)	(650417)	(650417)	(650417)
W17	Jumper, Shorting .100ctrs	1	(650417)	(650417)	(650417)	(650417)
W10, 11, 16	Header, .100ctrs 3pins	3	(650454-03)	(650454-03)	(650454-03)	(650454-03)
W17	Header, .100ctrs 3pins	1	(650454-03)	(650454-03)	(650454-03)	(650454-03)
W9	Header, .100ctrs 4 Pins	1	(650454-04)	(650454-04)	(650454-04)	(650454-04)
DS7-14	Led Red W/Spacer	8	-	650458	-	650458
DS15	Led Red W/Spacer	1	650458	650458	650458	650458
DS1-6	Led Red W/Spacer	6	650458	650458	650458	650458
VR1	Diode, Sener, 68v, 1w	1	650477-33	650477-33	650477-33	650477-33
U9	Ic, Optp-Coupler	1	650486-02	650486-02	650486-02	650486-02
U4	Socket, Prom Carrier	1	650518-02	650518-02	650518-02	650518-02
U2	Ic, Hex Inverter, Schmitt	1	650540	650540	650540	650540
Q2	Transistor, Npn, Darungton	1	650558	650558	650558	650558
U1	Ic, Microcomputer	1	650568	650568	650568	650568
U3	Ic, Octal D-Type Latch	1	650611	650611	650611	650611
U5-1	Socket, Dip, Low-Profile	1	(650622-11)	(650622-11)	(650622-11)	(650622-11)
W1	Wire, Bus, 22awg, Auto-Ins	2	(650625-03)	(650625-03)	(650625-03)	(650625-03)
W7	Wire, Bus, 22awg, Auto-Ins	2	(650625-03)	(650625-03)	(650625-03)	(650625-03)
VR4	Transient Suppressor	1	650658-01	650658-01	650658-01	650658-01
U12	Ic, Decoder Multiplexer	1	650699	650699	650699	650699
U10	Ic, Hex Bus Drvrs	1	650776	650776	650776	650776
DS16	Led, Clear Red Sper Bright	1	650910	650910	650910	650910
RP1, RP2	Polyswitches, Rxe Series	2	(651055-08)	(651055-08)	(651055-08)	(651055-08)
J2	Conector, Db-9s, Right Ang	1	(651131-02)	(651131-02)	(651131-02)	(651131-02)
U8	Ic, Dual Opto-Coupler	1	(651273)	(651273)	(651273)	(651273)
U7	Ic, I/O Expander	1	(651294)	(651294)	(651294)	(651294)

Note: Part Numbers enclosed in brackets ( ) are not available individually, but may be sold in assemblies or kits.

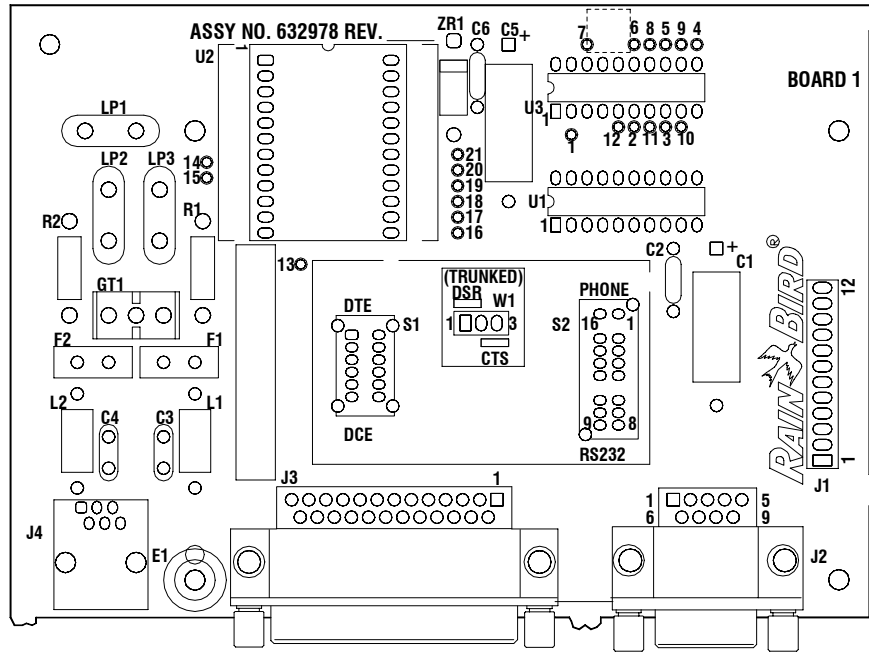
**PWB ASSY POWER SUPPLY**



Ref.	Description	Qty.	CCU-6 120V60Hz	CCU-28 120V60Hz	ICCU-6 240V50Hz	ICCU-28 240V50Hz
<b>PWB ASSY POWER SUPPLY</b>			631985-01	631985-01	631985-01	631985-01
-	Label Bar Code 39	1	(631356-01)	(631356-01)	(631356-01)	(631356-01)
J1	Header .156ctr, Rt Angle	1	(631689-08)	(631689-08)	(631689-08)	(631689-08)
-	PWB Fabrication Power Supply	1	(631984)	(631984)	(631984)	(631984)
C4	Capacitor, Ceramic 0.1mf 50V	1	650013-45	650013-45	650013-45	650013-45
VR1	Washer Flat No.5	1	(650023-03)	(650023-03)	(650023-03)	(650023-03)
C3	Cap Elect Axial 25V 47mf;	1	(650045-08)	(650045-08)	(650045-08)	(650045-08)
C1,C2	Cap Elect Axial 25V 3300mf	2	(650045-19)	(650045-19)	(650045-19)	(650045-19)
F1	Fuse Clip, P.C. Mount ¼ dia	2	(650098)	(650098)	(650098)	(650098)
-	Grease Heatsink	.0001	(650101)	(650101)	(650101)	(650101)
VR1	Rivet, Blind, Dome Head .125dia	1	(650139-05)	(650139-05)	(650139-05)	(650139-05)
-	Solder	.0001	(650160)	(650160)	(650160)	(650160)
VR1	Heatsink To-220	1	(650335)	(650335)	(650335)	(650335)
F1	Fuse, Slow Blow 1.6amps	1	650431-24	650431-24	650431-24	650431-24
CR1	Rectifier, Bridge	1	650581-03	650581-03	650581-03	650581-03
VR1	Voltage Regulator, +8v	1	650939	650939	650939	650939

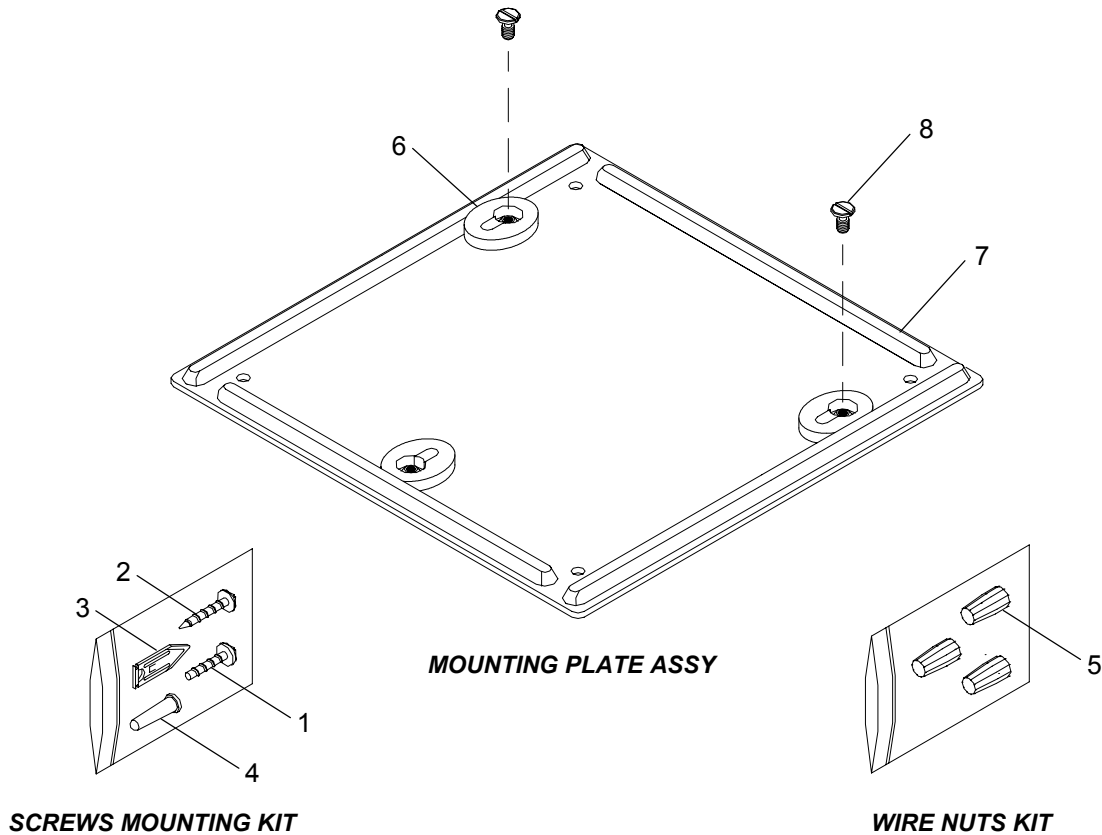
Note: Part Numbers enclosed in brackets ( ) are not available individually, but may be sold in assemblies or kits.

**PWB ASSY TELEMDEM**



Ref.	Description	Qty.	CCU-6 120V60Hz	CCU-28 120V60Hz	ICCU-6 240V50Hz	ICCU-28 240V50Hz
<b>PWB ASSY TELEMDEM</b>			(632978)	(632978)	(632978)	(632978)
LP1-3	Mov 230Vac, 4500A	3	(630386)	(630386)	(630386)	(630386)
-	Laber, Bar Code 39	1	(631356-01)	(631356-01)	(631356-01)	(631356-01)
-	PWB Fab, TeleModem Interface	1	(632979)	(632979)	(632979)	(632979)
C5	Cap, Elect,Axial, 100uf,10v	1	(650044-05)	(650044-05)	(650044-05)	(650044-05)
U1	IC, Socket, Dip 20 pos	1	(650081-05)	(650081-05)	(650081-05)	(650081-05)
C1	Capacitor, Elect, Axial 10uf,16v	1	(650083-01)	(650083-01)	(650083-01)	(650083-01)
C6	Cap,Ceramic, Axial .01uf, 50V	1	650085-31	650085-31	650085-31	650085-31
C2	Cap,Ceramic,Axial 0.1uF,50V	1	(650085-55)	(650085-55)	(650085-55)	(650085-55)
-	Solder	.0001	(650160)	(650160)	(650160)	(650160)
J4	Connector, Modular, PC	1	(650341-02)	(650341-02)	(650341-02)	(650341-02)
J1	Header, .100Ctrs 12 pos	1	(650415-12)	(650415-12)	(650415-12)	(650415-12)
W1	Plug, Shorting	1	(650417)	(650417)	(650417)	(650417)
W1	Header, .100Ctrs 3Pins	1	(650454-03)	(650454-03)	(650454-03)	(650454-03)
L1,L2	Inductor, Ferrite Bead	2	(650509)	(650509)	(650509)	(650509)
C3,C4	Cap, Ceramic, Axial, .005uf, 1kv	2	(650516)	(650516)	(650516)	(650516)
U1	IC, RS232 Driver/Recvr	1	650559	650559	650559	650559
S1	Switch, Slide, 4PDT	1	650609	650609	650609	650609
ZR1	Transient Suppressor	1	650658-01	650658-01	650658-01	650658-01
U3	IC, Noninverting Buffer	1	(651001)	(651001)	(651001)	(651001)
U2	IC, Modem Module	1	(651002)	(651002)	(651002)	(651002)
S2	Switch, Slide, 4P3T	1	(651003)	(651003)	(651003)	(651003)
J2	Connector, Right Angle	1	(651130-02)	(651130-02)	(651130-02)	(651130-02)
J3	Connector, Right Angle	1	(651131-06)	(651131-06)	(651131-06)	(651131-06)
F1,2	Polyswitch, series TR600 .15amp	2	(651318)	(651318)	(651318)	(651318)
R1,R2	Res, Pwr Metal Film,1w	2	(651322)	(651322)	(651322)	(651322)
GT1	Surge, Spark Gap	1	(651427)	(651427)	(651427)	(651427)

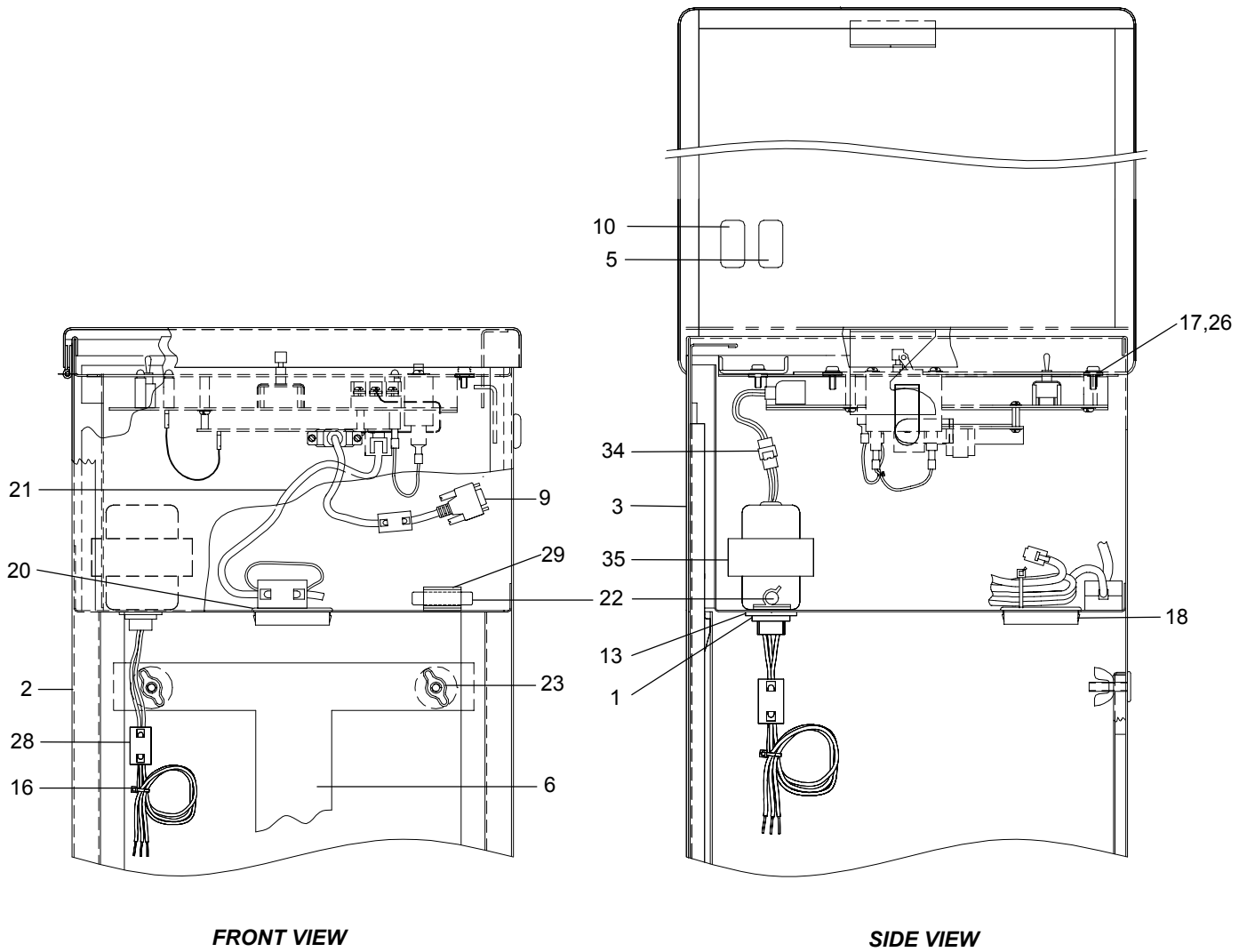
Note: Part Numbers enclosed in brackets ( ) are not available individually, but may be sold in assemblies or kits.



Ref.	Description	Qty.	CCU-6 120V60Hz	CCU-28 120V60Hz	ICCU-6 240V50Hz	ICCU-28 240V50Hz
<b>ACCESORIES</b>						
-	Screws, Mounting, Kit	1	(633182)	(633182)	(633182)	(633182)
1	Screw Pan HD, #10 X 1/4"	2	(650754-55)	(650754-55)	(650754-55)	(650754-55)
-	Bag, Zip Lock 3x4	1	(650924-03)	(650924-03)	(650924-03)	(650924-03)
2	Screw, Trhd Phil, Type A, 1 1/4"	4	(651021-16)	(651021-16)	(651021-16)	(651021-16)
3	Anchor, Wall, Hammer Drive	4	(651022)	(651022)	(651022)	(651022)
4	Plastic Anchor 10-12 x 1"	4	(651393-03)	(651393-03)	(651393-03)	(651393-03)
-	Instruction Manual	1	633799	633799	633799	633799
-	Wire Nuts, Kit	1	(634613)	(634613)	-	-
-	Label Warning Hang Tag-Local	1	(634503)	(634503)	-	-
-	Bag, Zip Lock	1	(650924-01)	(650924-01)	-	-
5	Wire Nut 22-14,	3	(651351)	(651351)	-	-
-	Mounting Plate Assy, WM Cabinet	1	(635005-02)	(635005-02)	(635005-02)	(635005-02)
6	Washer, EPDM, Flat	3	(633274)	(633274)	(633274)	(633274)
-	Mount Bracket Assy	1	(634594-02)	(634594-02)	(634594-02)	(634594-02)
7	Mount Bracket	1	(634484)	(634484)	(634484)	634484
8	Stand-Off Screw S.S.	2	(634538-02)	(634538-02)	(634538-02)	(634538-02)
-	Addendum Grounding Installation	1	(635010)	(635010)	(635010)	(635010)
-	Cable Tie, Nylon 7/8 Bundle	1	650131	650131	650131	650131

Note: Part Numbers enclosed in brackets ( ) are not available individually, but may be sold in assemblies or kits.

**CONTROLLER ASSEMBLY**

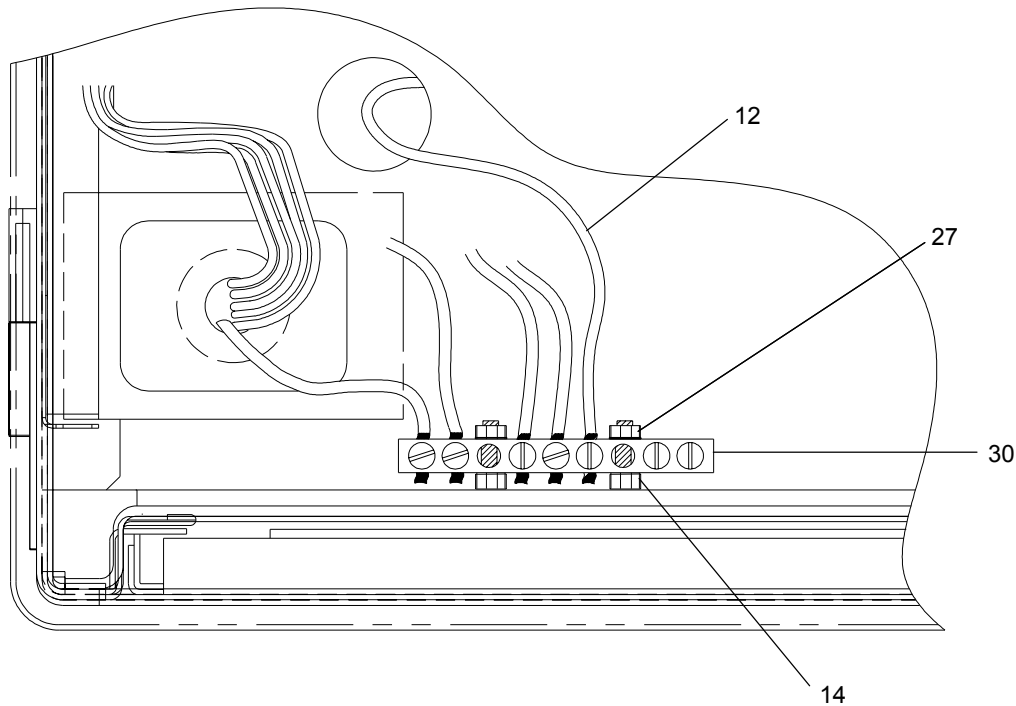


**FRONT VIEW**

**SIDE VIEW**

Ref.	Description	Qty.	CCU-6 120V60Hz	CCU-28 120V60Hz	ICCU-6 240V50Hz	ICCU-28 240V50Hz
<b>CONTROLLER ASSEMBLY</b>			(633414-02)	(633414-01)	(633414-04)	(633414-03)
1	Locknut Conduit	1	(628013)	(628013)	(628013)	(628013)
2	Pedestal Top Opening	1	(629464)	(629464)	(629464)	(629464)
3	Panel Access Pedestal Top Opening	1	629466	629466	629466	629466
4	Template Mounting Plastic	1	629602	629602	629602	629602
5	Label FCC Compliance	1	(629941)	(629941)	(629941)	(629941)
6	Bracket Pipe Mtg	1	630106	630106	630106	630106
7	Lock, Bent Cam	1	630336-02	630336-02	630336-02	630336-02

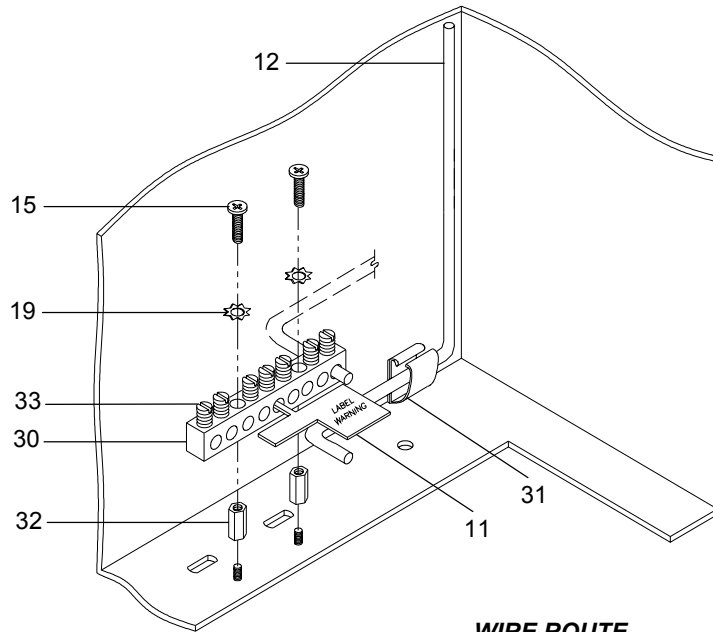
Note: Part Numbers enclosed in brackets ( ) are not available individually, but may be sold in assemblies or kits.



**WIRE CONNECTIONS  
 TOP VIEW**

Ref.	Description	Qty.	CCU-6 120V60Hz	CCU-28 120V60Hz	ICCU-6 240V50Hz	ICCU-28 240V50Hz
<b>CONTROLLER ASSEMBLY, CONT.</b>						
8	Panel Access Gray	1	630873	630873	630873	630873
9	Cable Assy, RS-232, DB95/DB25P	1	(632313-12)	(632313-12)	(632313-12)	(632313-12)
10	Label Rating	1	(634385-19)	(634385-19)	(634385-20)	(634385-20)
11	Label Warning Grounding	1	(634502)	(634502)	(634502)	(634502)
12	Ground Wire Assy 12 Awg (48)	1	(634943-48)	(634943-48)	(634943-48)	(634943-48)
13	Washer, Flat 7/8" .090	1	(650023-43)	(650023-43)	(650023-43)	(650023-43)
14	Nut, Pl, Hex, #8-32, Cres, PSVTD	2	(650033-04)	(650033-04)	(650033-04)	(650033-04)
15	Screw 8-32 .750 Pn HD	2	(650106-47)	(650106-47)	(650106-47)	(650106-47)
16	Cable Tie	2	650131	650131	650131	650131
17	Nut Clip On	6	(650133)	(650133)	(650133)	(650133)
18	Bushing Snap Nylon	1	(650152-53)	(650152-53)	(650152-53)	(650152-53)
19	Washer #8 32 x 5/6	2	(650163-03)	(650163-03)	(650163-03)	(650163-03)
20	Foam	1	(650200-38)	(650200-38)	(650200-38)	(650200-38)
21	Cable Assy, Mod Plug Cond. 4	1	(650342-07)	(650342-07)	(650342-07)	(650342-07)
22	Fuse, Slow Blow, 250V, 1 6/10Amp	1	650431-24	650431-24	650431-24	650431-24
23	Nut, Wing-Cres 1/4-20	2	(650439-04)	(650439-04)	(650439-04)	(650439-04)
24	Plug, Hole .250, Nyl, Black	1	(650485-03)	(650485-03)	(650485-03)	(650485-03)

Note: Part Numbers enclosed in brackets ( ) are not available individually, but may be sold in assemblies or kits.

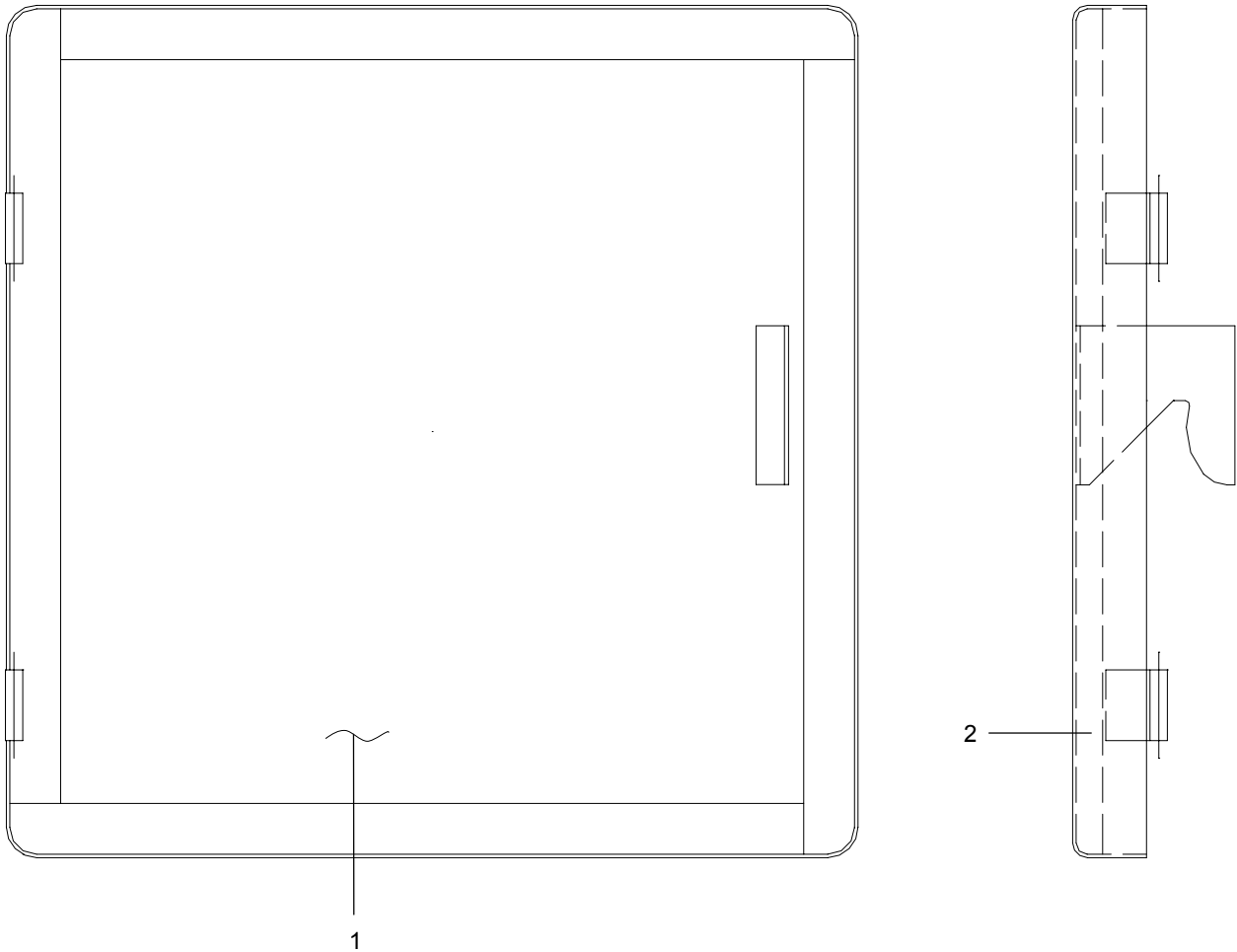


**WIRE ROUTE**  
INSIDE BASE

Ref.	Description	Qty.	CCU-6 120V60Hz	CCU-28 120V60Hz	ICCU-6 240V50Hz	ICCU-28 240V50Hz
<b>CONTROLLER ASSEMBLY, CONT.</b>						
25	Plug, Hole .375 Nyl, Black	1	(650485-07)	(650485-07)	(650485-07)	(650485-07)
26	Screw, 6-18 x 5/8"	6	(650565-26)	(650565-26)	(650565-26)	(650565-26)
27	Nut, #8-32 Hex W/Star Washer	2	(650634-04)	(650634-04)	(650634-04)	(650634-04)
28	Filter, Cable Snap-On Ferrite	3	(650659)	(650659)	(650659)	(650659)
29	Holder, Fuse, Adhesive Mount	1	(651333)	(651333)	(651333)	(651333)
30	Bar Bus Grounding	2	(651440)	(651440)	(651440)	(651440)
31	Wire Clip with Adhesive	5	(651446-02)	(651446-02)	(651446-02)	(651446-02)
32	Aluminum Hex Standoff	2	(651500-09)	(651500-09)	(651500-09)	(651500-09)
33	Slotted Set Screw 1/4-28 x .500	7	(651510)	(651510)	(651510)	(651510)
<b>TRANSFORMER ASSEMBLY</b>			632496	632496	(632531)	(632531)
34	Recept, 6Pin W/Ears wht	1	622980	622980	622980	622980
-	Terminal Pin, Female Molex	4	622985	622985	622985	622985
35	Transformer, Power Wireless/60Hz	1	(632000)	(632000)	-	-
35	Transformer, Power Wireless/50Hz	1	-	-	(632532)	(632532)
-	Cable Tie, Nylon 7/8 Bundle	2	650131	650131	650131	650131

Note: Part Numbers enclosed in brackets ( ) are not available individually, but may be sold in assemblies or kits.

**DOOR ASSEMBLY**

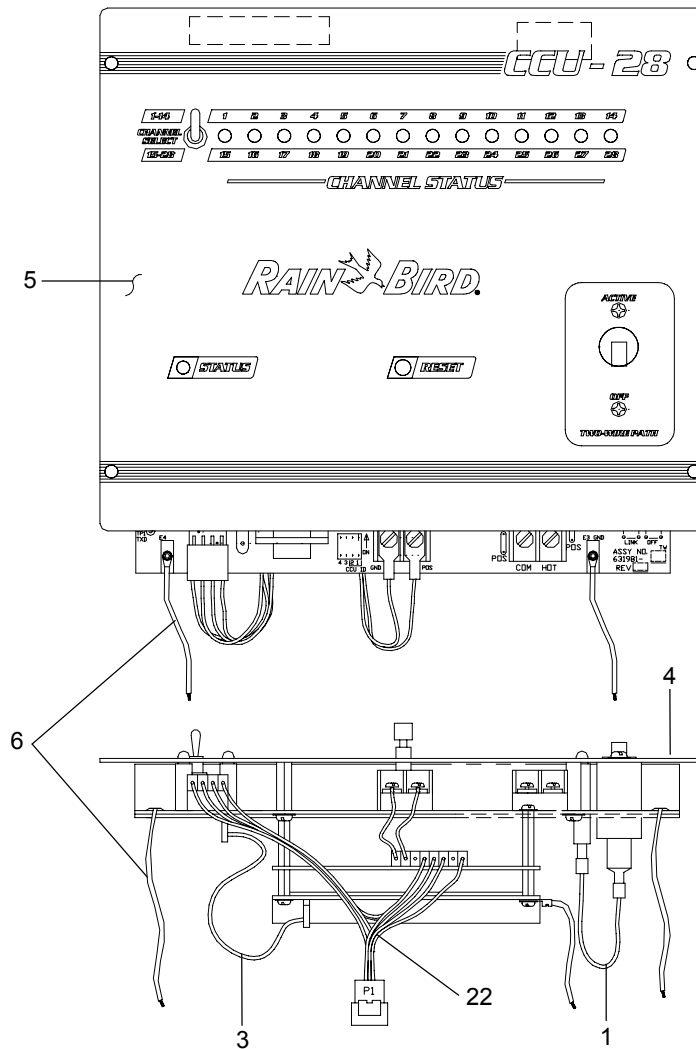


Ref.	Description	Qty.	CCU-6 120V60Hz	CCU-28 120V60Hz	ICCU-6 240V50Hz	ICCU-28 240V50Hz
<b>DOOR ASSEMBLY</b>			(629463)	(629463)	(629463)	(629463)
1	Door Pedestal	1	(629465)	(629465)	(629465)	(629465)
2	Gasket Foam S/S Ped 4 Per	4	(629499)	(629499)	(629499)	(629499)

Note: Part Numbers enclosed in brackets ( ) are not available individually, but may be sold in assemblies or kits.

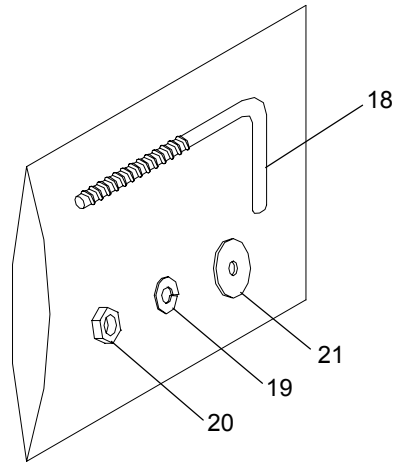
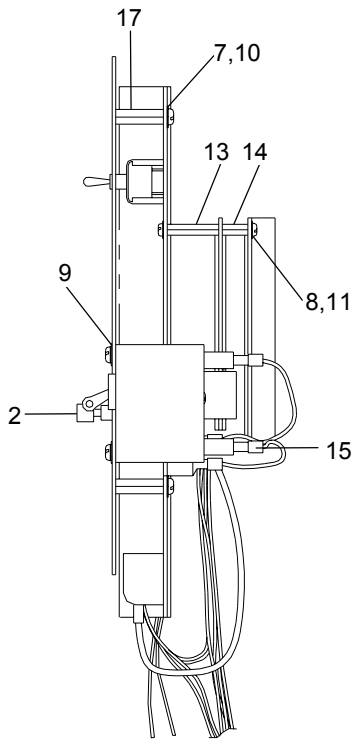


FRONT PANEL ASSEMBLY

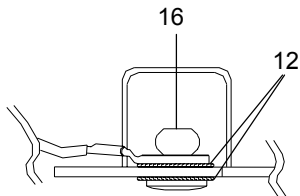


Ref.	Description	Qty.	CCU-6 120V60Hz	CCU-28 120V60Hz	ICCU-6 240V50Hz	ICCU-28 240V50Hz
<b>FRONT PANEL ASSEMBLY</b>			(633415-02)	(633415-01)	(633415-02)	(633415-01)
1	Wire 22Awg White	2	(624204-09)	(624204-09)	(624204-09)	(624204-09)
2	Circuit Breaker Magnetic 0.5A	1	625554	625554	625554	625554
-	Label Date Code	1	(627867)	(627867)	(627867)	(627867)
3	Cable Strip 4" 12 Cond	1	629191	629191	629191	629191
-	Label Serial	1	(629210-02)	(629210-01)	(629210-02)	(629210-01)
4	Front Panel	1	(631284)	(631284)	(631284)	(631284)
5	Overlay, Front Panel	1	(633517)	(633556)	(633517)	(633556)
6	Ground Wire Assy 12 Awg	3	(634943-19)	(634943-19)	(634943-19)	(634943-19)
7	Washer #6 Nylon	6	(650059-03)	(650059-03)	(650059-03)	(650059-03)
8	Screw 4-40 3/8L Pn HD	8	(650105-15)	(650105-15)	(650105-15)	(650105-15)
9	Screw Mach 6-234 1/4	2	(650105-26)	(650105-26)	(650105-26)	(650105-26)
10	Screw 6-32 x 3/8	6	(650105-28)	(650105-28)	(650105-28)	(650105-28)
11	Washer Lock #4	8	(650158-03)	(650158-03)	(650158-03)	(650158-03)

Note: Part Numbers enclosed in brackets ( ) are not available individually, but may be sold in assemblies or kits.



MOUNTING HARDWARE

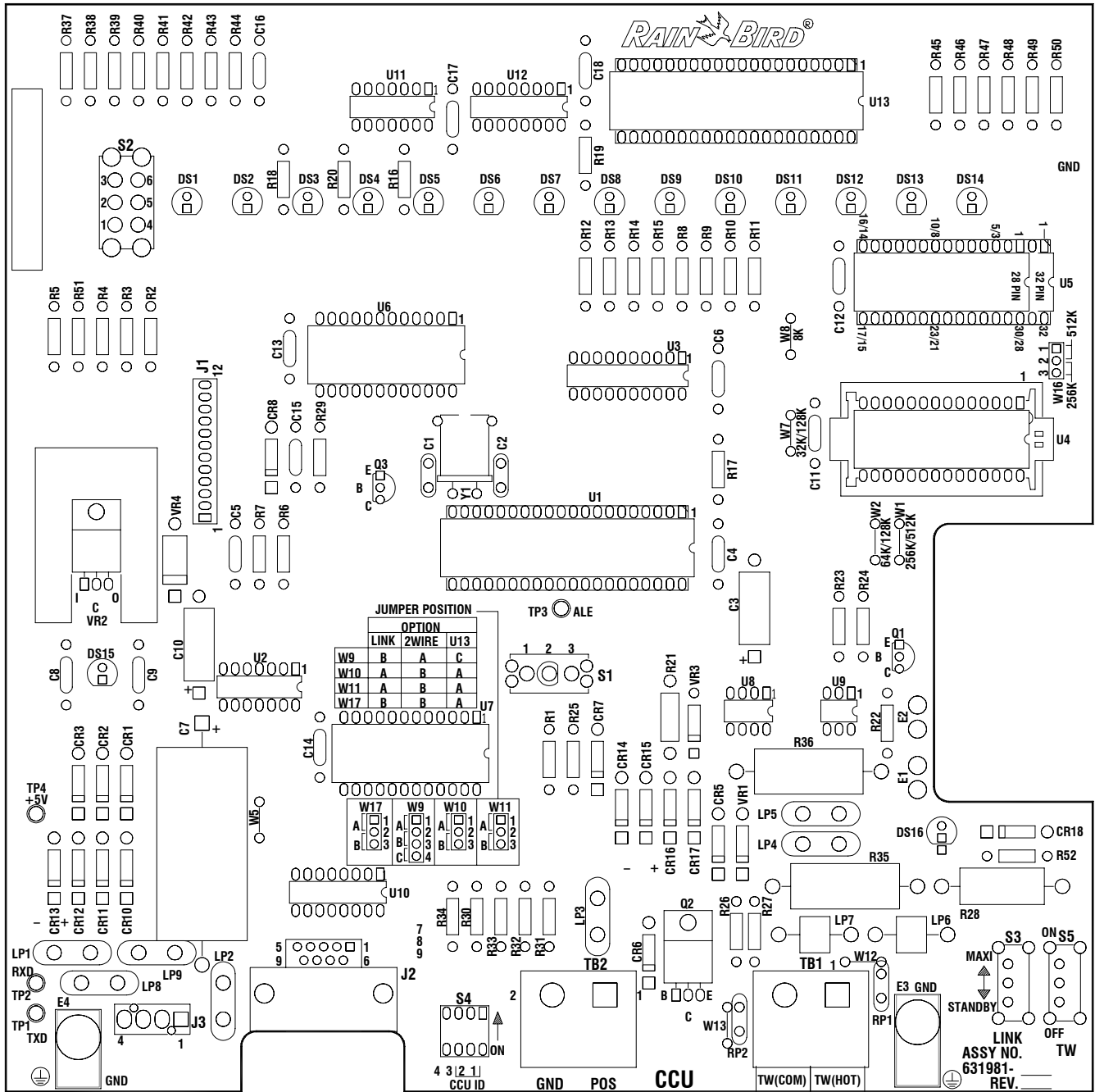


VIEWED FROM LEFT SIDE OF THE CONTROLER

Ref.	Description	Qty.	CCU-6 120V60Hz	CCU-28 120V60Hz	ICCU-6 240V50Hz	ICCU-28 240V50Hz
<b>FRONT PANEL ASSEMBLY, CONT.</b>						
12	Washer Lock #10	4	(650162-04)	(650162-04)	(650162-04)	(650162-04)
13	Standoff, 3/16, Hex 4-40 1.0 Nyl	4	650285-12	650285-12	650285-12	650285-12
14	Standoff, Al, M/F	4	650319-13	650319-13	650319-13	650319-13
15	Terminal Q Disc Female .25	4	(650390)	(650390)	(650390)	(650390)
16	Rivet, Blind 0.19	2	(650434-13)	(650434-13)	(650434-13)	(650434-13)
17	Standoff .25, Hex, 6-32, 13/16, Al	6	(650582-12)	(650582-12)	(650582-12)	(650582-12)
<b>ACCESSORIES</b>						
-	Instruction Sheet T.O.P.	1	(630003)	(630003)	(630003)	(630003)
-	Mounting Hardware	1	(633124-01)	(633124-01)	(633124-01)	(633124-01)
-	Bag, Poly 6x8	1	(601846)	(601846)	(601846)	(601846)
18	Bolt Anchor	4	629557	629557	629557	629557
19	Washer 5/16 Lock-Spring	4	(650029-07)	(650029-07)	(650029-07)	(650029-07)
20	Nut, Hex 5/16	4	(650033-07)	(650033-07)	(650033-07)	(650033-07)
21	Washer Flat 5/6 Type B	4	(650441)	(650441)	(650441)	(650441)
22	Cable Assy	1	632442	632442	632442	632442
-	Instruction Manual	1	633799	633799	633799	633799
-	Grounding Int. Addendum	1	(635009)	(635009)	(635009)	(635009)

Note: Part Numbers enclosed in brackets ( ) are not available individually, but may be sold in assemblies or kits.

**PWB ASSY CCU**



Note: Part Numbers enclosed in brackets ( ) are not available individually, but may be sold in assemblies or kits.

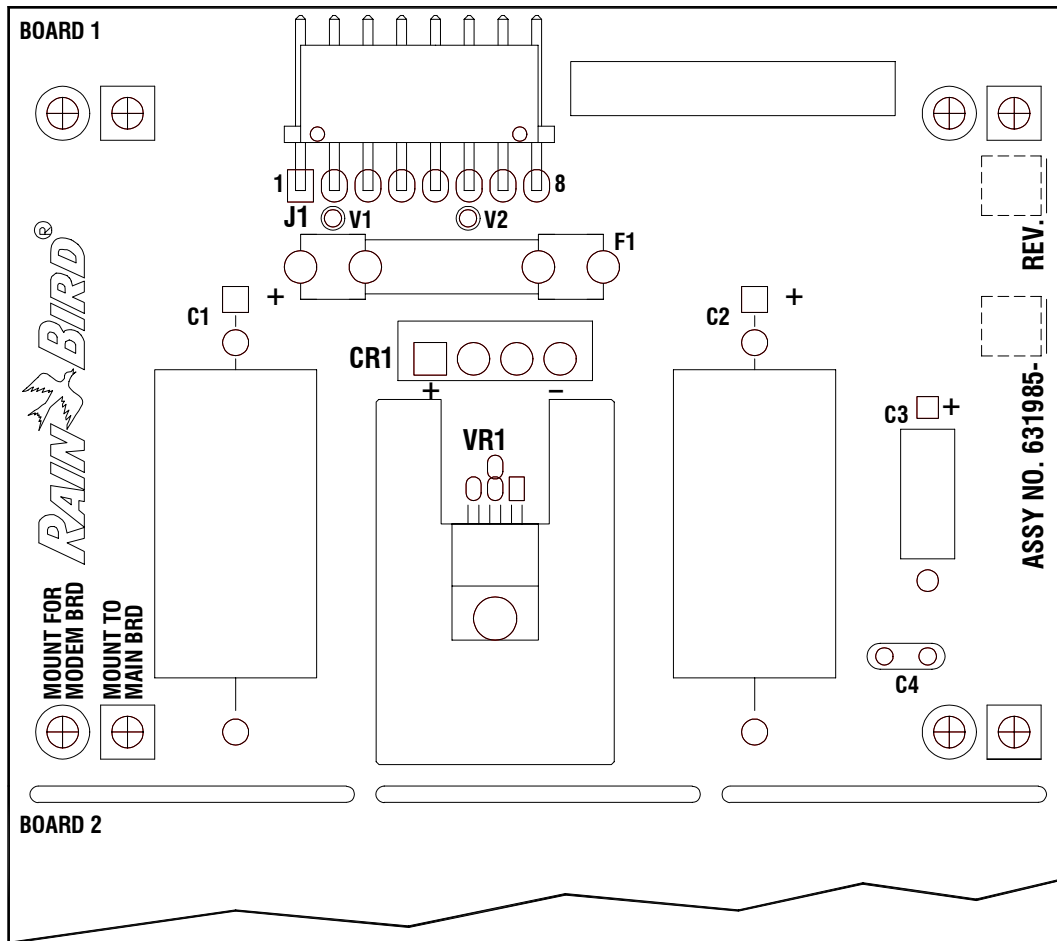
Ref.	Description	Qty.	CCU-6 120V60Hz	CCU-28 120V60Hz	ICCU-6 240V50Hz	ICCU-28 240V50Hz
<b>PWB ASSY CCU</b>			(631981-02)	631981-01	(631981-02)	631981-01
LP6,7	Lightning Arrester	2	624625	624625	624625	624625
S4	DipSwitch	1	631012-04	631012-04	631012-04	631012-04
-	Label, Bar Code39	1	(631356-01)	(631356-01)	(631356-01)	(631356-01)
J3	Header, .156ctrs, Right Angle	1	(631466-04)	(631466-04)	(631466-04)	(631466-04)
-	PWB Fabrication	1	(631987)	(631987)	(631987)	(631987)
U5	IC, SRAM, 128K X 8 , CMOS	1	632150	632150	632150	632150
U5-2	IC, CLOCK/Battery Socket	1	632151	632151	632151	632151
U4	IC, PROM ASSY	1	(633614-57)	(633614-57)	(633614-57)	(63614-57)
C1,2	Capacitor, Ceramic Disc	2	(650012-15)	(650012-15)	(650012-15)	(650012-15)
LP1.LP8	Mov 33V, 500A	2	650015	650015	650015	650015
LP2-5,9	Mov 68V, 500A	5	650016	650016	650016	650016
VR3	Diode, Zener, 4.7V, 500mW	1	(650038-37)	(650038-37)	(650038-37)	(650038-37)
C10	Capacitor, Electrl, Axial 47uF,10V	1	(650044-03)	(650044-03)	(650044-03)	(650044-03)
C7	Capacitor, Electrl, Axial 2200uF,25V	1	(650045-18)	(650045-18)	(650045-18)	(650045-18)
CR1-3,CR5-8, CR10-18	Diode, gen Purpose, 1A	16	650077-02	650077-02	650077-02	650077-02
R27	Resistor, Carbon Film, 1/4W 100	1	650079-49	650079-49	650079-49	650079-49
R25	Resistor, Carbon Film, 1/4W 270	1	(650079-59)	(650079-59)	(650079-59)	(650079-59)
R-26,51	Resistor, Carbon Film, 1/4W 1K	2	(650079-73)	(650079-73)	(650079-73)	(650079-73)
R43-50	Resistor, Carbon Film, 1/4W 1K	8	-	(650079-73)	-	(650079-73)
R37-42	Resistor, Carbon Film, 1/4W 1K	6	(650079-73)	(650079-73)	(650079-73)	(650079-73)
R22	Resistor, Carbon Film, 1/4W 2K	1	(650079-80)	(650079-80)	(650079-80)	(650079-80)
R1-15,R17,19	Resistor, Carbon Film, 1/4W 10K	17	(650079-97)	(650079-97)	(650079-97)	(650079-97)
R16,18,20, R30-34	Resistor, Carbon Film, 1/4W 10K	8	(650079-97)	(650079-97)	(650079-97)	(650079-97)
R23,24,52	Resistor, carbon Film, 1/4W 15K	3	(650080-02)	(650080-02)	(650080-02)	(650080-02)
U1	Socket, Dip, Low-Profile 40 Pins	1	650081-09	650081-09	650081-09	650081-09
U13	Socket, Dip, Low-Profile 40 Pins	1	650081-09	650081-09	650081-09	650081-09
C3	Capacitor, Electrl, Axial	1	(650083-01)	(650083-01)	(650083-01)	(650083-01)
Q1	Transistor, NPN, 600mW	1	650084	650084	650084	650084
C4-6,8,9, C11,12,14	Capacitor, Ceramic, Axial 0.1uF,50V	8	(650085-55)	(650085-55)	(650085-55)	(650085-55)
C13	Capacitor, Ceramic, Axial 0.1uF,50V	1	(650085-55)	(650085-55)	(650085-55)	(650085-55)
C16-18	Capacitor, Ceramic, Axial 0.1 uF,50V	3	(650085-55)	(650085-55)	(650085-55)	(650085-55)
-	Grease, Heatsink	0.0001	(650101)	(650101)	(650101)	(650101)
E1,2	Terminal, Quick Connect	2	650138	650138	650138	650138
VR2	Rivet, Blind, Aluminum	1	(650139-05)	(650139-05)	(650139-05)	(650139-05)
-	Solder, Sn63	0.0100	(650160)	(650160)	(650160)	(650160)
R21	Resistor, Carbon Film, 1/2W	1	(650202-81)	(650202-81)	(650202-81)	(650202-81)
U11	IC, Dual D-Type Flip-Flops	1	650271	650271	650271	650271

Note: Part Numbers enclosed in brackets ( ) are not available individually, but may be sold in assemblies or kits.

Ref.	Description	Qty.	CCU-6 120V60Hz	CCU-28 120V60Hz	ICCU-6 240V50Hz	ICCU-28 240V50Hz
<b>PWB ASSY CCU, CONT.</b>						
U6	IC, I/O Expander	1	650328	650328	650328	650328
VR2	Voltage Regulator +5V	1	650332	650332	650332	650332
Y1	Crystal Quartz 3.600MHz	1	650334	650334	650334	650334
VR2	Heatsink, High Power	1	(650335)	(650335)	(650335)	(650335)
TP1	Terminal, Test Point	5	(650336-01)	(650336-01)	(650336-01)	(650336-01)
S3	Switcy, Slide, SPDT	1	650353	650353	650353	650353
TB1, TB2	Terminal Block, .437 Ctrs	2	(650368-02)	(650368-02)	(650368-02)	(650368-02)
R28	Resistor, Carbon Comp, 2W	1	(650378-63)	(650378-63)	(650378-63)	(650378-63)
S2	Switch, Toggle, DPDT, 3 Pos	1	-	650383	-	650383
S1	Switch, Momentary Pushbutton	1	650384	650384	650384	650384
R35, 36	Resistor, Fireproof, 5W	2	(650393-33)	(650393-33)	(650393-33)	(650393-33)
J1	Header, .100 Ctrs. 12 pins	1	(650415-12)	(650415-12)	(650415-12)	(650415-12)
W9-11, 16	Jumper, Shorting	4	(650417)	(650417)	(650417)	(650417)
W17	Jumper, Shorting	1	(650417)	(650417)	(650417)	(650417)
W10, 11, 16	Header .100Ctrs 3 Pins	3	(650454-03)	(650454-03)	(650454-03)	(650454-03)
W17	Header .100Ctrs 3Pins	1	(650454-03)	(650454-03)	(650454-03)	(650454-03)
W9	Header .100 ctrs 4Pins	1	(650454-04)	(650454-04)	(650454-04)	(650454-04)
DS7-14	Led, Red W/Spacer1In.Height	8	-	650458	-	650458
DS15	Led, Red W/Spacer 1In.Height	1	650458	650458	650458	650458
DS1-6	Led, Red W/Spacer 1In. Height	6	650458	650458	650458	650458
VR1	Diode, Zener, 68V, 1W	1	(650477-33)	(650477-33)	(650477-33)	(650477-33)
U9	IC, Opto-Coupler	1	650486-02	650486-02	650486-02	650486-02
U4	Socket, PROM Carrier 28 pins	1	650518-02	650518-02	650518-02	650518-02
U2	IC, Hex Inverterm Schmitt	1	650540	650540	650540	650540
Q2	Transistor, NPN, Darlington	1	650558	650558	650558	650558
U1	IC, Microcomputer	1	650568	650568	650568	650568
U3	IC, Octal D-Type Latch	1	650611	650611	650611	650611
U5-1	Socket, Dip, Low-Profile	1	(650622-11)	(650622-11)	(650622-11)	(650622-11)
W1	Wire Bus 22Awg, auto-ins .300LD SP	2	(650625-03)	(650625-03)	(650625-03)	(650625-03)
W7	Wire Bus 22Awg, auto-ins .300LD SP	2	(650625-03)	(650625-03)	(650625-03)	(650625-03)
VR4	Transient suppressor	1	650658-01	650658-01	650658-01	650658-01
U12	IC, 3line to 8line Decoder/Multiplexer	1	650699	650699	650699	650699
U10	IC, Hex bus Drvrs, 3-State Outputs	1	650776	650776	650776	650776
DS16	Led, Clear Red Super Bright	1	650910	650910	650910	650910
RP1,2	Polyswitches, RXE series	2	(651055-08)	(651055-08)	(651055-08)	(651055-08)
J2	Connector, DB-9s, Right Angle	1	(651131-02)	(651131-02)	(651131-02)	(651131-02)
U8	IC, Dual Opto-Coupler	1	(651273)	(651273)	(651273)	(651273)
U7	IC, I/O Expander	1	(651294)	(651294)	(651294)	(651294)

Note: Part Numbers enclosed in brackets ( ) are not available individually, but may be sold in assemblies or kits.

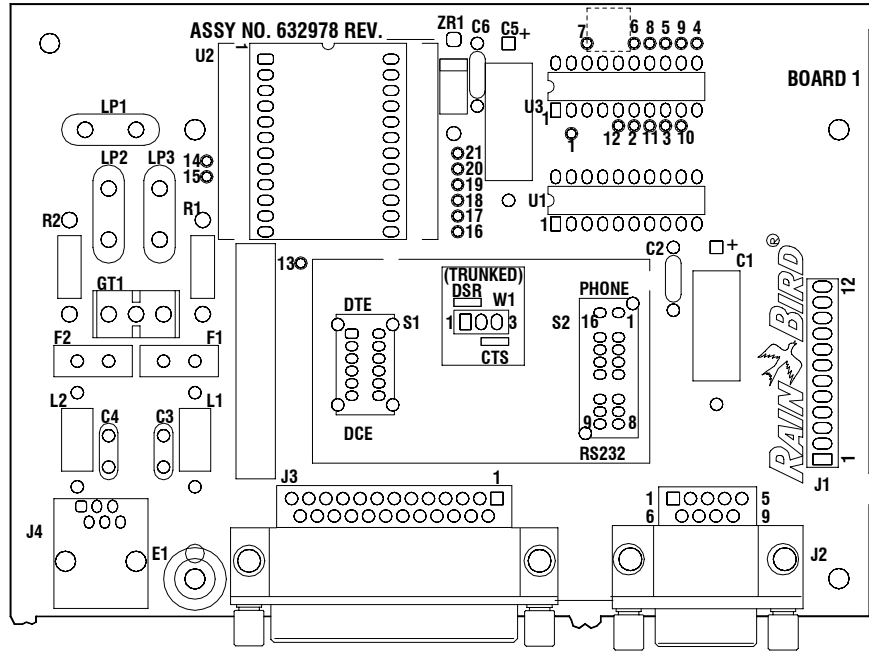
PWB ASSY POWER SUPPLY



Ref.	Description	Qty.	CCU-6 120V60Hz	CCU-28 120V60Hz	ICCU-6 240V50Hz	ICCU-28 240V50Hz
<b>PBW ASSY POWER SUPPLY</b>			631985-01	631985-01	631985-01	631985-01
-	Label, bar Code 39	1	(631356-01)	(631356-01)	(631356-01)	(631356-01)
J1	Header, .156 Ctrs., Right Angle	1	(631689-08)	(631689-08)	(631689-08)	(631689-08)
-	PWB Fabrication	1	(631984)	(631984)	(631984)	(631984)
C4	Capacitor, Ceramc Disc 0.1uF, 50V	1	650013-45	650013-45	650013-45	650013-45
VR1	Washer Flat No. 5	1	(650023-03)	(650023-03)	(650023-03)	(650023-03)
C3	Capacitor, Electrl, Axial 47uF, 25V	1	(650045-08)	(650045-08)	(650045-08)	(650045-08)
C1, C2	Capacitor, Electrl, Axial 3300uF, 25V	2	(650045-19)	(650045-19)	(650045-19)	(650045-19)
F1	Fuse Clip, P.C. Mount	2	(650098)	(650098)	(650098)	(650098)
-	Grease Heatsink	.0001	(650101)	(650101)	(650101)	(650101)
VR1	Rivet, Blind, Dome Head	1	(650139-05)	(650139-05)	(650139-05)	(650139-05)
-	Solder	.0001	(650160)	(650160)	(650160)	(650160)
VR1	Heatsink	1	(650335)	(650335)	(650335)	(650335)
F1	Fuse, Slow Blow	1	650431-24	650431-24	650431-24	650431-24
CR1	Rectifier, Bridge 4A,200V	1	650581-03	650581-03	650581-03	650581-03
VR1	Voltage Regulator, +8V	1	650939	650939	650939	650939

Note: Part Numbers enclosed in brackets ( ) are not available individually, but may be sold in assemblies or kits.

**PWB ASSY TELEMDEM**

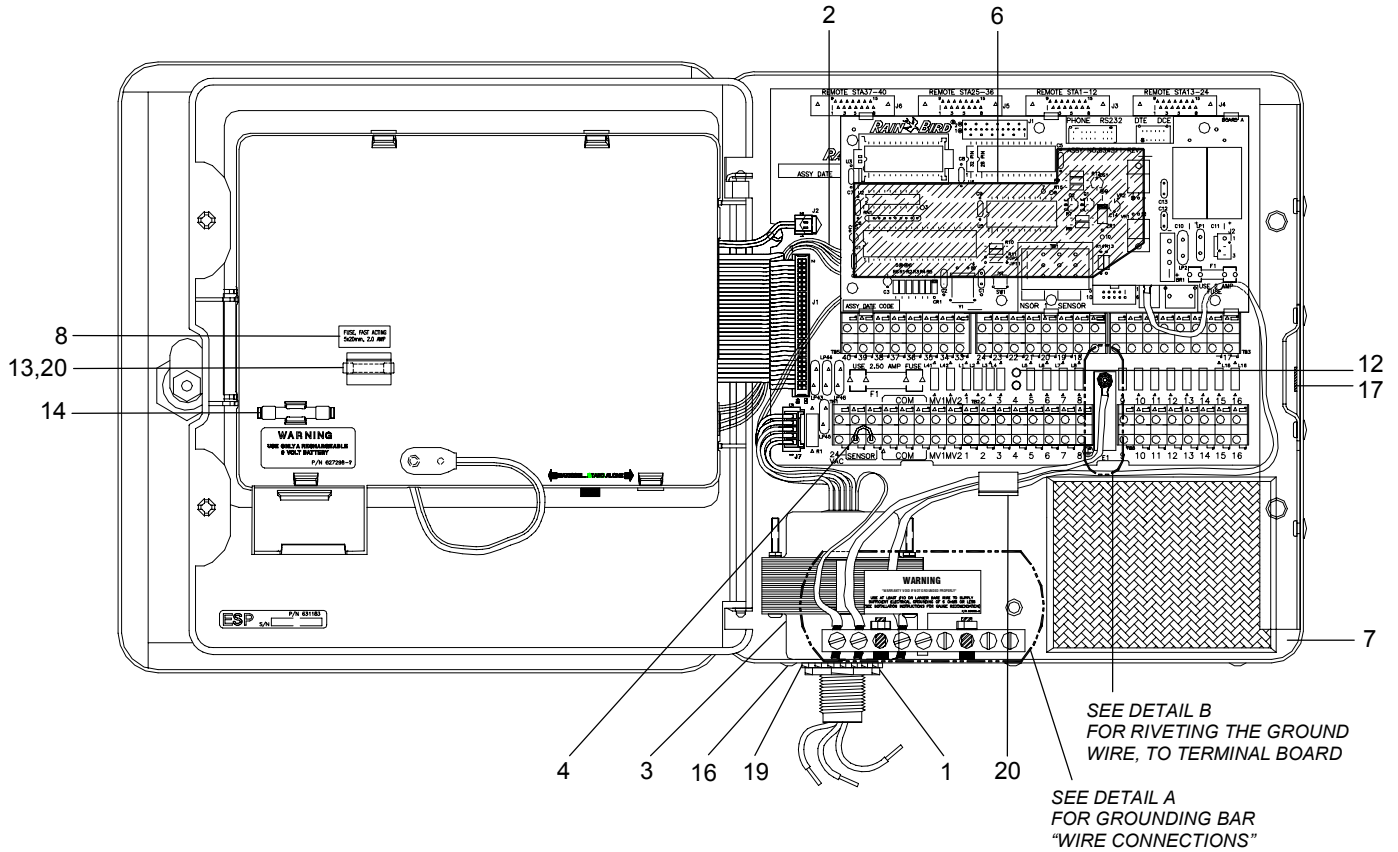


Ref.	Description	Qty.	CCU-6 120V60Hz	CCU-28 120V60Hz	ICCU-6 240V50Hz	ICCU-28 240V50Hz
<b>PWB ASSY TELEMDEM</b>			(632978)	(632978)	(632978)	(632978)
LP1-3	Mov 230Vac, 4500A	3	(630386)	(630386)	(630386)	(630386)
-	Laber, bar Code 39	1	(631356-01)	(631356-01)	(631356-01)	(631356-01)
-	PWB TeleModm Interface	1	(632979)	(632979)	(632979)	(632979)
C5	Capacitor, Electlyc, Axial	1	(650044-05)	(650044-05)	(650044-05)	(650044-05)
U1	IC, Socket, Dip	1	(650081-05)	(650081-05)	(650081-05)	(650081-05)
C1	Capacitor, Electlyc, Axial	1	(650083-01)	(650083-01)	(650083-01)	(650083-01)
C6	Capacitor, Ceramic, Axial .01uF, 50V	1	650085-31	650085-31	650085-31	650085-31
C2	Capacitor, Ceramic, axial 0.1uF,50V	1	(650085-55)	(650085-55)	(650085-55)	(650085-55)
-	Solder	.0001	(650160)	(650160)	(650160)	(650160)
J4	Connector, Modular, PC	1	(650341-02)	(650341-02)	(650341-02)	(650341-02)
J1	Header, .100Ctrs 12 pos	1	(650415-12)	(650415-12)	(650415-12)	(650415-12)
W1	Plug, Shorting	1	(650417)	(650417)	(650417)	(650417)
W1	Header, .100Ctrs 3Pins	1	(650454-03)	(650454-03)	(650454-03)	(650454-03)
L1,2	Inductor, Ferrite Bead	2	(650509)	(650509)	(650509)	(650509)
C3,4	Capacitor, ceramic, Axial	2	(650516)	(650516)	(650516)	(650516)
U1	IC, RS232 Driver/Recvr	1	650559	650559	650559	650559
S1	Switch, Slide, 4PDT	1	650609	650609	650609	650609
ZR1	Transient Suppressor	1	650658-01	650658-01	650658-01	650658-01
U3	IC, Noninverting Buffer	1	(651001)	(651001)	(651001)	(651001)
U2	IC, Modem Module	1	(651002)	(651002)	(651002)	(651002)
S2	Switch, Slide, 4P3T	1	(651003)	(651003)	(651003)	(651003)
J2	Connector, Right Angle	1	(651130-02)	(651130-02)	(651130-02)	(651130-02)
J3	Connector, Right Angle	1	(651131-06)	(651131-06)	(651131-06)	(651131-06)
F1,2	Polyswitch, series TR600 0.15Amp	2	(651318)	(651318)	(651318)	(651318)
R1,2	Res, Pwr Metal Film, 1W 10 Ohms	2	(651322)	(651322)	(651322)	(651322)
GT1	Surge, Spark Gap	1	(651427)	(651427)	(651427)	(651427)

Note: Part Numbers enclosed in brackets ( ) are not available individually, but may be sold in assemblies or kits.

ESP12SITEW/ ESP16SITEW/ ESP24SITEW/ ESP32SITEW/ ESP40SITEW  
 (METAL WALL MOUNT, 120 VOLT, 60 Hz)

CONTROLLER ASSEMBLY

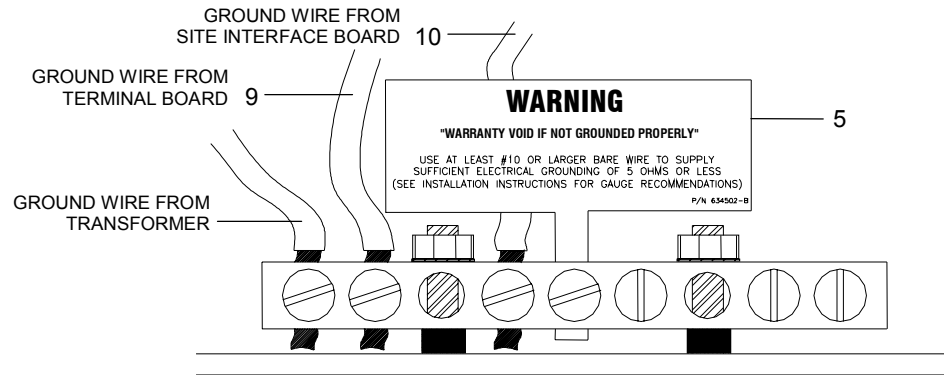


Ref.	Description	Qty.	12	16	24	32	40
<b>CONTROLLER ASSEMBLY</b>			(634407-02)	(634407-03)	(634407-04)	(634407-05)	(634407-06)
1	Locknut Conduit	1	(628013)	(628013)	(628013)	(628013)	(628013)
2	Cable Assy, 2Wire/Link Intfc	1	(633132)	(633132)	(633132)	(633132)	(633132)
3	Xfmr Assy, Link, 120V	1	633165-01	633165-01	633165-01	633165-01	633165-01
4	Sensor Jumper Wire	1	(633442)	(633442)	(633442)	(633442)	(633442)
5	Label Warning Grounding	1	(634502)	(634502)	(634502)	(634502)	(634502)
6	PWB Foam	1	(634532)	(634532)	(634532)	(634532)	(634532)
-	Label, Warning Corrosion Inhib	1	(634558)	(634558)	(634558)	(634558)	(634558)
7	Parts Box WM Cabinets	1	(634612)	(634612)	(634612)	(634612)	(634612)
8	Label, Fuse 2.0 Amp.	1	(634616)	(634616)	(634616)	(634616)	(634616)
9	Ground Wire Assy 12 Awg (11)	1	(634943-11)	(634943-11)	(634943-11)	(634943-11)	(634943-11)
10	Ground Wire Assy 12 Awg (19)	1	(634943-19)	(634943-19)	(634943-19)	(634943-19)	(634943-19)

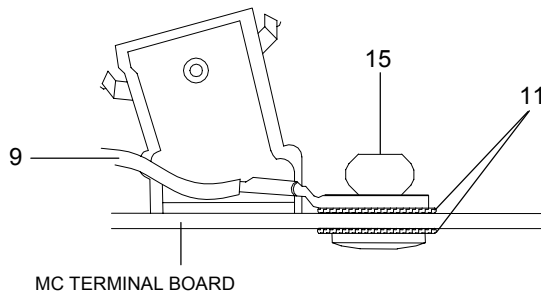
Note: Part Numbers enclosed in brackets ( ) are not available individually, but may be sold in assemblies or kits.



ESP12SITEW/ ESP16SITEW/ ESP24SITEW/ ESP32SITEW/ ESP40SITEW  
(METAL WALL MOUNT, 120 VOLT, 60 Hz)



**DETAIL A**  
VIEWED FROM OUTSIDE  
OF THE CONTROLLER



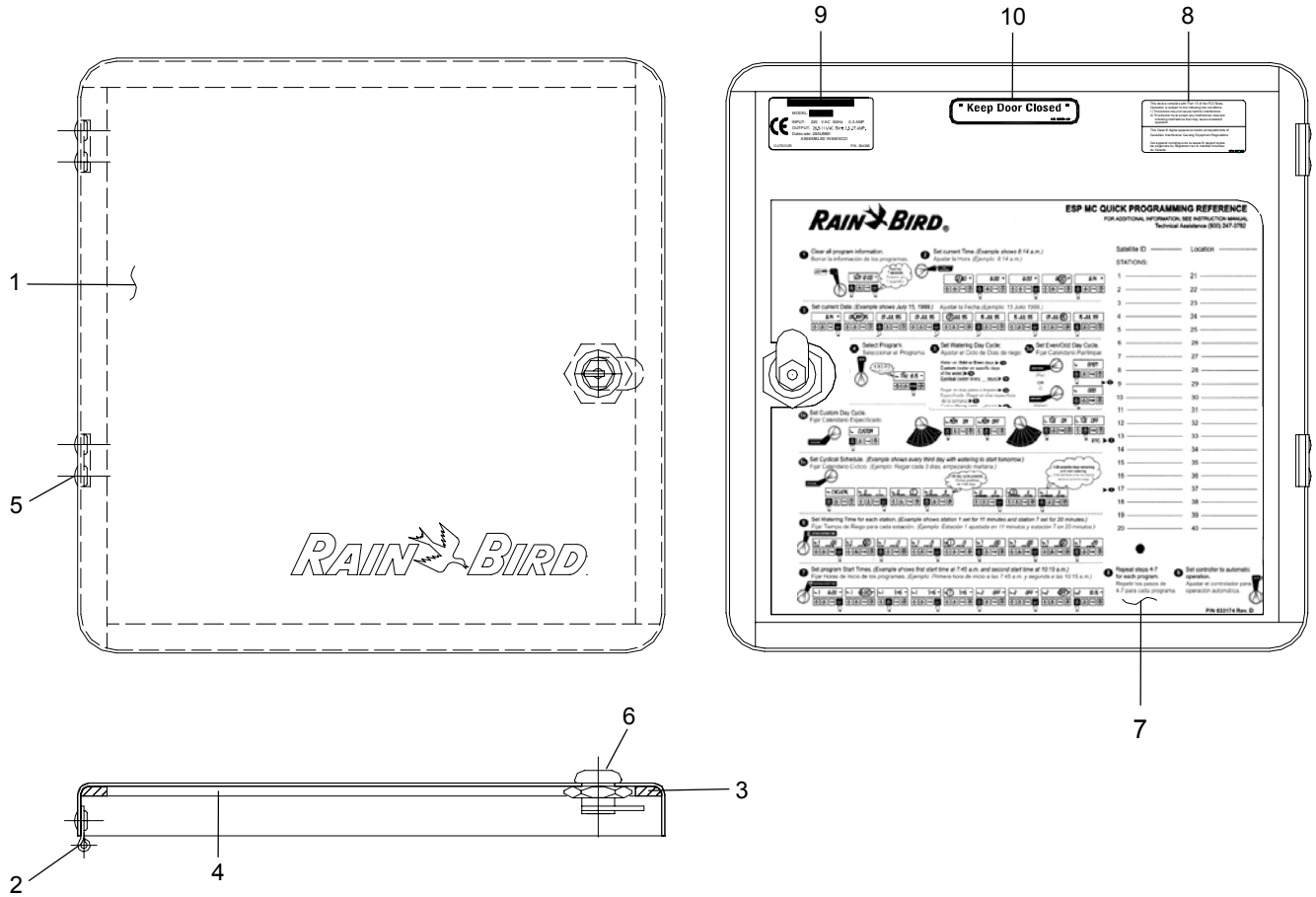
**DETAIL B**  
VIEWED FROM RIGHT SIDE  
OF THE CONTROLLER

Ref.	Description	Qty.	12	16	24	32	40
<b>CONTROLLER ASSEMBLY, CONT.</b>							
-	Label, Keyhole	2	(635011)	(635011)	(635011)	(635011)	(635011)
11	Washer Lk, #10, Ext-Tooth, Z-Pltd	4	(650162-04)	(650162-04)	(650162-04)	(650162-04)	(650162-04)
12	Screw Phl Pnh Hi-Lo 7-19x1/2	3	(650183-63)	(650183-63)	(650183-63)	(650183-63)	(650183-63)
13	Fuse 5x20MM 2 Amps	1	(650307-03)	(650307-03)	(650307-03)	(650307-03)	(650307-03)
14	Fuse, Slowblow, 250V, 2-1/2 Amp	1	(650431-28)	(650431-28)	(650431-28)	(650431-28)	(650431-28)
15	Rivet, Blind 0.19	2	(650434-13)	(650434-13)	(650434-13)	(650434-13)	(650434-13)
16	Plug, Hole .250, Nyl, White	5	(650485-04)	(650485-04)	(650485-04)	(650485-04)	(650485-04)
-	Spacer Circuit Brd. Edge Hold	6	(650912-05)	(650912-05)	(650912-05)	(650912-05)	(650912-05)
-	Spacer, Circuit Board, Edge Hold	6	(650912-10)	(650912-10)	(650912-10)	(650912-10)	(650912-10)
17	Impregnated Foam Corrosion Inh	1	(651331)	(651331)	(651331)	(651331)	(651331)
18	Holder Fuse	1	(651384)	(651384)	(651384)	(651384)	(651384)
19	Lock Washer, External Tooth	1	(651389)	(651389)	(651389)	(651389)	(651389)
20	Wire Clip With Adhesive	1	(651446-02)	(651446-02)	(651446-02)	(651446-02)	(651446-02)

Note: Part Numbers enclosed in brackets ( ) are not available individually, but may be sold in assemblies or kits.

ESP12SITEW/ ESP16SITEW/ ESP24SITEW/ ESP32SITEW/ ESP40SITEW  
(METAL WALL MOUNT, 120 VOLT, 60 Hz)

DOOR ASSEMBLY

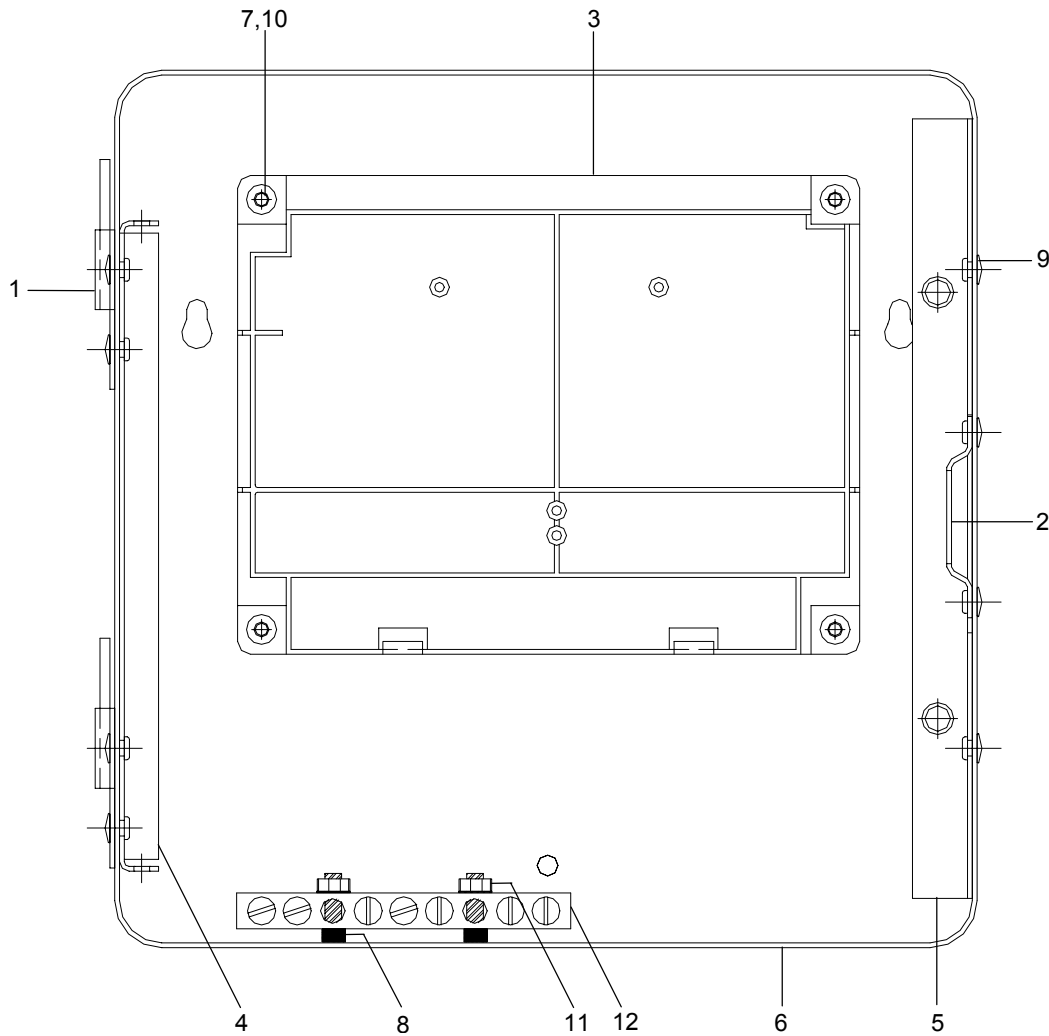


Ref.	Description	Qty.	12	16	24	32	40
<b>DOOR ASSEMBLY</b>			(634428-01)	(634428-01)	(634428-01)	(634428-01)	(634428-01)
-	Door Assy, Gray Dep Draw	1	629321-03	629321-03	629321-03	629321-03	629321-03
1	Door, Painted Gray	1	(629113-03)	(629113-03)	(629113-03)	(629113-03)	(629113-03)
2	Hinge Slip Joint F	2	(629227-02)	(629227-02)	(629227-02)	(629227-02)	(629227-02)
3	Gasket Foam 10.63	2	(629620-01)	(629620-01)	(629620-01)	(629620-01)	(629620-01)
4	Gasket Foam 10.43	2	(629620-02)	(629620-02)	(629620-02)	(629620-02)	(629620-02)
5	Rivet Semi Tubular Oval A	4	(650401)	(650401)	(650401)	(650401)	(650401)
6	Lock, Cam	1	650755	650755	650755	650755	650755
7	Label/Envelope	1	(633174)	(633174)	(633174)	(633174)	(633174)
8	Label, Fcc Compliance	1	(633662)	(633662)	(633662)	(633662)	(633662)
9	Label, Rating	1	(634385-13)	(634385-13)	(634385-13)	(634385-13)	(634385-13)
10	Label, Keep Door Closed	1	(634501)	(634501)	(634501)	(634501)	(634501)

Note: Part Numbers enclosed in brackets ( ) are not available individually, but may be sold in assemblies or kits.

ESP12SITEW/ ESP16SITEW/ ESP24SITEW/ ESP32SITEW/ ESP40SITEW  
 (METAL WALL MOUNT, 120 VOLT, 60 Hz)

CABINET ASSEMBLY

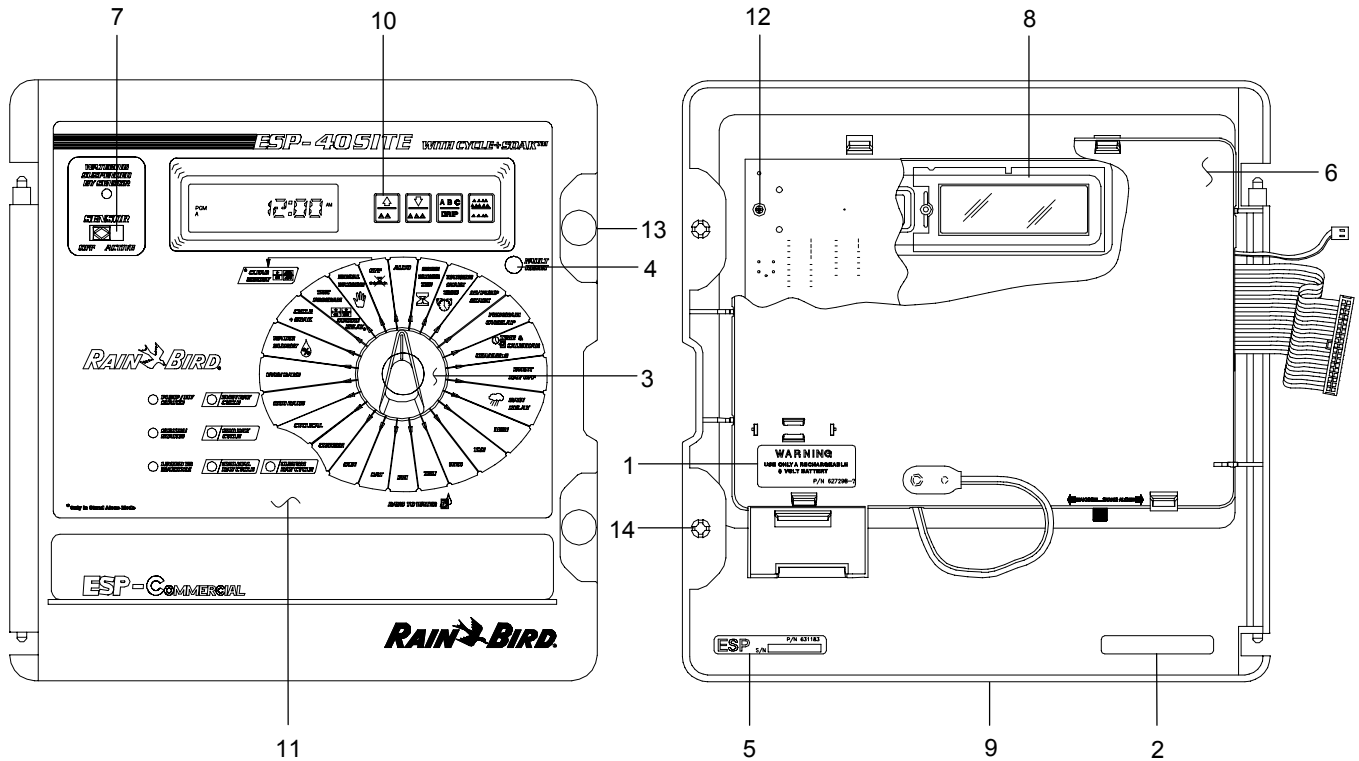


Ref.	Description	Qty.	12	16	24	32	40
<b>CABINET ASSY</b>			(633166-01)	(633166-01)	(633166-01)	(633166-01)	(633166-01)
1	Hinge Slip Joint M	2	(629227-01)	(629227-01)	(629227-01)	(629227-01)	(629227-01)
2	Strike Lock	1	(629234)	(629234)	(629234)	(629234)	(629234)
3	Spacer, Terminal Board	1	(631919)	(631919)	(631919)	(631919)	(631919)
4	Rail, Hinge	1	(631921)	(631921)	(631921)	(631921)	(631921)
5	Rail, Mounting Paragon	1	(631922)	(631922)	(631922)	(631922)	(631922)
6	Cabinet Draw Formed	1	(634126-03)	(634126-03)	(634126-03)	(634126-03)	(634126-03)
7	Washer, Flat #10 .032	4	(650023-13)	(650023-13)	(650023-13)	(650023-13)	(650023-13)
8	Nut, Pl, Hex, #8-32, Cres, Psvtd	2	(650033-04)	(650033-04)	(650033-04)	(650033-04)	(650033-04)
9	Rivet Semi Tubular Oval A	8	(650401)	(650401)	(650401)	(650401)	(650401)
10	Rivet, Blid 0.19	4	(650434-13)	(650434-13)	(650434-13)	(650434-13)	(650434-13)
11	Nut, #8-32 Hex W/Star Washer	2	(650634-04)	(650634-04)	(650634-04)	(650634-04)	(650634-04)
12	Bar Bus Grounding	1	(651440)	(651440)	(651440)	(651440)	(651440)

Note: Part Numbers enclosed in brackets ( ) are not available individually, but may be sold in assemblies or kits.

ESP12SITEW/ ESP16SITEW/ ESP24SITEW/ ESP32SITEW/ ESP40SITEW  
(METAL WALL MOUNT, 120 VOLT, 60 Hz)

FRONT PANEL ASSEMBLY

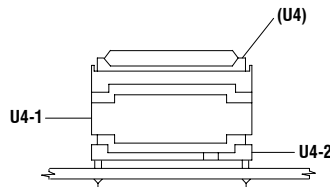
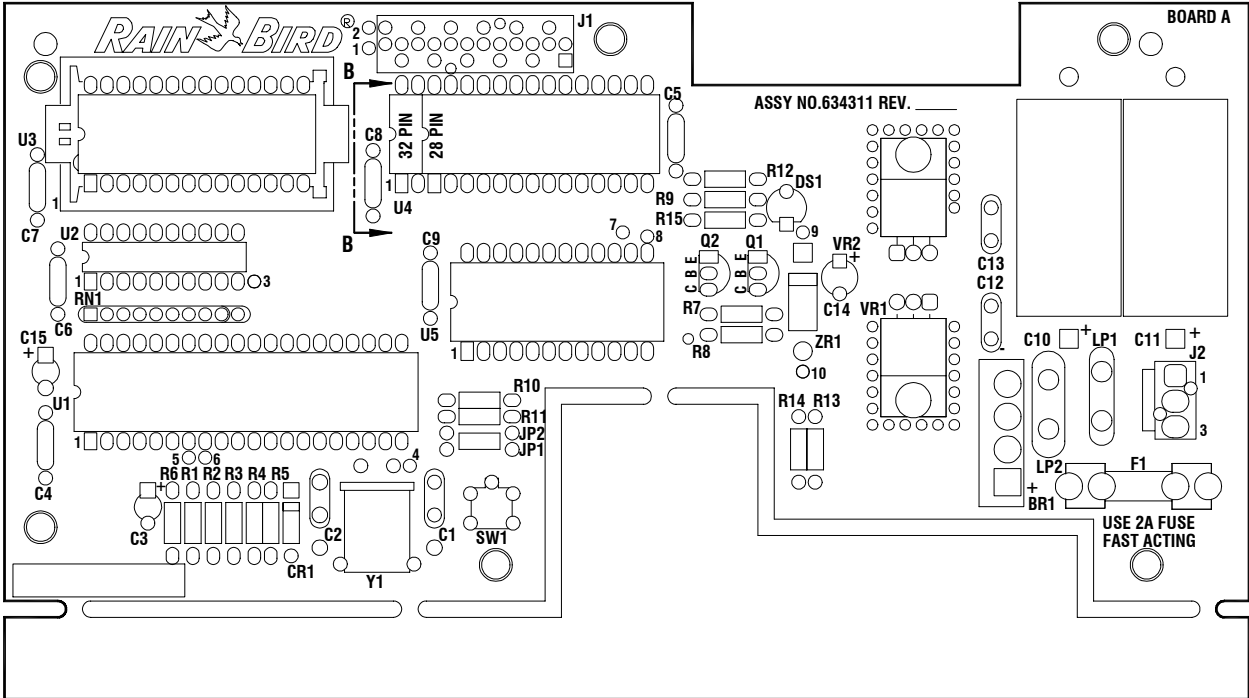


Ref.	Description	Qty.	12	16	24	32	40
<b>FRONT PANEL ASSEMBLY</b>			(634402-02)	(634402-03)	(634402-04)	(634402-05)	(634402-06)
1	Label Warning Cic 8/12	1	(627298)	(627298)	(627298)	(627298)	(627298)
2	Label Date Code	1	(627867)	(627867)	(627867)	(627867)	(627867)
3	Funct Select Knob Assy, Gray	1	630946	630946	630946	630946	630946
-	Esp Function Selec Knob, Gray	1	(630947)	(630947)	(630947)	(630947)	(630947)
-	Ring Compression	1	(650505-06)	(650505-06)	(650505-06)	(650505-06)	(650505-06)
4	Button, Tm Pb Switch	1	(631136)	(631136)	(631136)	(631136)	(631136)
5	Label, Serial, Esp	1	(631183)	(631183)	(631183)	(631183)	(631183)
6	Cover, Pwb	1	(631920)	(631920)	(631920)	(631920)	(631920)
7	Switch, Actuator-Paragon	1	(632510)	(632510)	(632510)	(632510)	(632510)
8	Lens, LCD	1	632700	632700	632700	632700	632700
9	Fp/shield Assy-	1	(632906)	(632906)	(632906)	(632906)	(632906)
-	Front Panel Esp-Mc	1	(631918)	(631918)	(631918)	(631918)	(631918)
-	Shield, Front Panel-Esp-C	1	(632897)	(632897)	(632897)	(632897)	(632897)
10	Keypad, Silicone	1	(632908)	(632908)	(632908)	(632908)	(632908)
11	Overlay Front Panel Esp-Site	1	(634401-02)	(634401-03)	(634401-04)	(634401-05)	(634401-06)
12	Screw, 4-24 X 5/16 Hi-Lo W/Wshr	5	(650563-23)	(650563-23)	(650563-23)	(650563-23)	(650563-23)
13	Lock, Plunger	2	(650927-02)	(650927-02)	(650927-02)	(650927-02)	(650927-02)
14	Lock, Grommet	2	(650928-02)	(650928-02)	(650928-02)	(650928-02)	(650928-02)

Note: Part Numbers enclosed in brackets ( ) are not available individually, but may be sold in assemblies or kits.

ESP12SITEW/ ESP16SITEW/ ESP24SITEW/ ESP32SITEW/ ESP40SITEW  
(METAL WALL MOUNT, 120 VOLT, 60 Hz)

PWB ASSY ESP-SITE CONTROL UNIT



SECTION B-B

Ref.	Description	Qty.	12	16	24	32	40
<b>PWB ASSY ESP-SITE CONTROL UNIT</b>			(634311)	(634311)	(634311)	(634311)	(634311)
-	Label, Bar Code 39	1	(631356-01)	(631356-01)	(631356-01)	(631356-01)	(631356-01)
U4	IC, SRAM, 128K x 8, CMOS	1	632150	632150	632150	632150	632150
U4-1	IC, Clock/Battery Socket	1	632151	632151	632151	632151	632151
U3	IC, Prom Assy	1	(633614-57)	(633614-57)	(633614-57)	(633614-57)	(633614-57)
-	Printed Wiring Board	1	(634312)	(634312)	(634312)	(634312)	(634312)
C1,2	Capacitor, Ceramic, Disc 30pF, 50V	2	(650012-15)	(650012-15)	(650012-15)	(650012-15)	(650012-15)
C12, 13	Capacitor, ceramic, Disc 0.1uF, 500V	2	650013-45	650013-45	650013-45	650013-45	650013-45
LP1,2	Mov 33V, 500A	2	650015	650015	650015	650015	650015

Note: Part Numbers enclosed in brackets ( ) are not available individually, but may be sold in assemblies or kits.

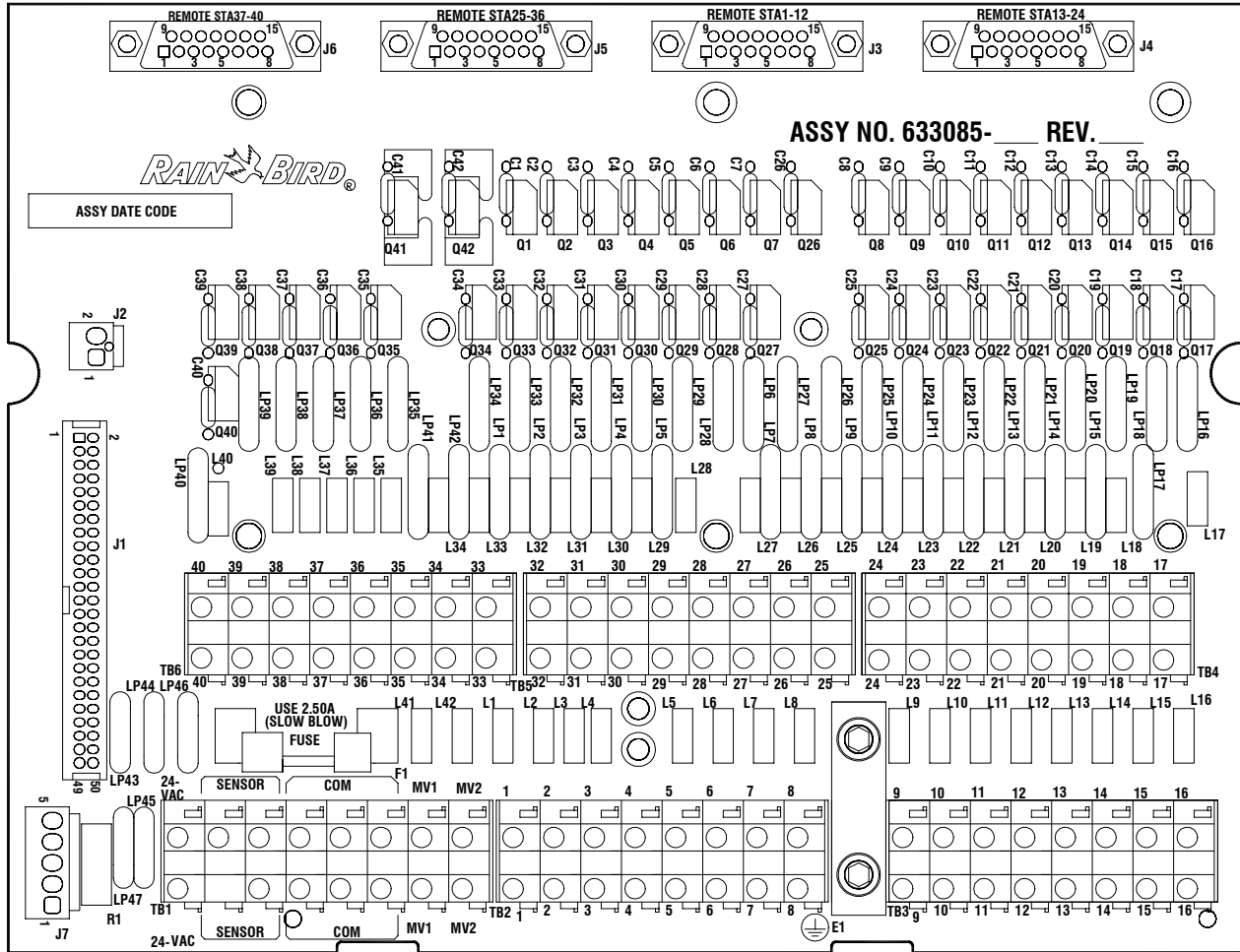
ESP12SITEW/ ESP16SITEW/ ESP24SITEW/ ESP32SITEW/ ESP40SITEW  
(METAL WALL MOUNT, 120 VOLT, 60 Hz)

Ref.	Description	Qty.	12	16	24	32	40
<b>PWB ASSY ESP-SITE CONTROL UNIT , CONT.</b>							
CR1	Diode	1	650037-01	650037-01	650037-01	650037-01	650037-01
R9	Resistor,Carbon Film,1/4W,1K Ohms	1	(650079-73)	(650079-73)	(650079-73)	(650079-73)	(650079-73)
R1-4,6-8,10,11,15	Resistor,carbon Film,1/4W,10K Ohms	10	(650079-97)	(650079-97)	(650079-97)	(650079-97)	(650079-97)
R5,12,R13,14	Resistor,carbon Film,1/4W,100KOhms	4	(650080-22)	(650080-22)	(650080-22)	(650080-22)	(650080-22)
Q1,2	Transistor, NPN	2	650084	650084	650084	650084	650084
C4-9	Capacitor,ceramic,Axial 0.1uF,50V	6	(650085-55)	(650085-55)	(650085-55)	(650085-55)	(650085-55)
-	Grease	.01	(650101)	(650101)	(650101)	(650101)	(650101)
-	Rivet,Blind,Dome-Head .125Dia	2	(650139-05)	(650139-05)	(650139-05)	(650139-05)	(650139-05)
F1	Fuse,Mini,.197 Dia	1	(650307-03)	(650307-03)	(650307-03)	(650307-03)	(650307-03)
F1	Minifuse,Clips,.197Dia	2	(650308)	(650308)	(650308)	(650308)	(650308)
VR2	Voltage Regulator,7805, +5V	1	650332	650332	650332	650332	650332
Y1	Crystal, Quartz 3.600Mhz	1	650334	650334	650334	650334	650334
U3	Socket, PROM Carrier	1	650518-02	650518-02	650518-02	650518-02	650518-02
BR1	Bridge,Rectifier 4A,200V	1	650581-03	650581-03	650581-03	650581-03	650581-03
C3,15	Capacitor,Tantalum,Radial 10uF,25V	2	(650583-07)	(650583-07)	(650583-07)	(650583-07)	(650583-07)
C14	Capacitor Tantalum,Radial	1	650583-09	650583-09	650583-09	650583-09	650583-09
U2	IC,Octal D-Type Latch	1	650611	650611	650611	650611	650611
U4-2	Socket,Dip,Low-Profile 32Pins	1	(650622-11)	(650622-11)	(650622-11)	(650622-11)	(650622-11)
Y1	Wire,22awg,Auto-Inserted .450Lead	2	(650625-03)	(650625-03)	(650625-03)	(650625-03)	(650625-03)
ZR1	Transient Suppressor	1	650658-01	650658-01	650658-01	650658-01	650658-01
J2	Header, St. Sq., Pin, 3Pos	1	(650893-03)	(650893-03)	(650893-03)	(650893-03)	(650893-03)
DS1	Led,Clear red,Superbright	1	650910	650910	650910	650910	650910
C10,11	Capacitor,Electrl,Axial,3300uF,25V	2	(650954)	(650954)	(650954)	(650954)	(650954)
U1	IC,Microcontroller	1	651031	651031	651031	651031	651031
SW1	Switch,Tact Push	1	(651109)	(651109)	(651109)	(651109)	(651109)
U5	IC,I/O Expander	1	(651294)	(651294)	(651294)	(651294)	(651294)
J1	Box Connector Strip 12Pos	1	(651309-11)	(651309-11)	(651309-11)	(651309-11)	(651309-11)
RN1	Resistor,Network,9Pins 10KOhms	1	(651310)	(651310)	(651310)	(651310)	(651310)
VR1	Voltage Regulator, 7812 +12V,1A	1	(651352)	(651352)	(651352)	(651352)	(651352)

Note: Part Numbers enclosed in brackets ( ) are not available individually, but may be sold in assemblies or kits.

ESP12SITEW/ ESP16SITEW/ ESP24SITEW/ ESP32SITEW/ ESP40SITEW  
(METAL WALL MOUNT, 120 VOLT, 60 Hz)

PWB ASSY TERMINAL



Ref.	Description	Qty.	12	16	24	32	40
<b>PWB ASSY TERMINAL</b>			(633085-02)	(633085-03)	(633085-04)	(633085-05)	(633085-06)
LP45,47	Mov 56V,1000A	2	624624	624624	624624	624624	624624
LP46	Mov 56V,1000A	1	624624	624624	624624	624624	624624
-	Label, Bar Code 39	1	(631356-01)	(631356-01)	(631356-01)	(631356-01)	(631356-01)
-	Printed Wiring Board	1	(633086)	(633086)	(633086)	(633086)	(633086)
-	Fuse clip	2	(650098)	(650098)	(650098)	(650098)	(650098)
-	Solder	.01	(650160)	(650160)	(650160)	(650160)	(650160)
L41,42 L1-8	Inductor, Ferrite Bead	10	650300-05	650300-05	650300-05	650300-05	650300-05
L9-12	Inductor, Ferrite Bead	4	650300-05	650300-05	650300-05	650300-05	650300-05
L13-16	Inductor, Ferrite Bead	4	-	650300-05	650300-05	650300-05	650300-05
L9-12	Inductor, Ferrite Bead	4	650300-05	650300-05	650300-05	650300-05	650300-05

Note: Part Numbers enclosed in brackets ( ) are not available individually, but may be sold in assemblies or kits.

ESP12SITEW/ ESP16SITEW/ ESP24SITEW/ ESP32SITEW/ ESP40SITEW  
(METAL WALL MOUNT, 120 VOLT, 60 Hz)

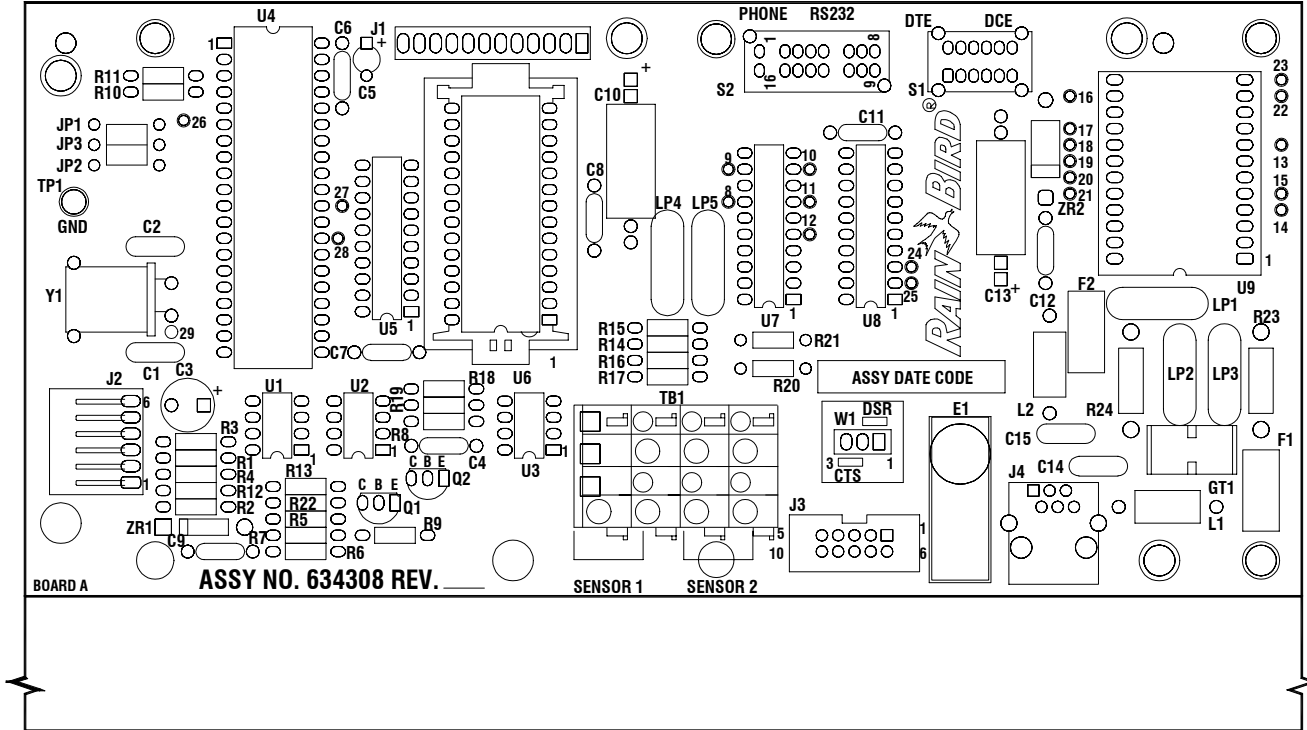
Ref.	Description	Qty.	12	16	24	32	40
<b>PWB ASSY TERMINAL, CONT.</b>							
L13-16	Inductor, Ferrite Bead	4	-	650300-05	650300-05	650300-05	650300-05
L17-24	Inductor, Ferrite Bead	8	-	-	650300-05	650300-05	650300-05
L25-32	Inductor, Ferrite Bead	8	-	-	-	650300-05	650300-05
L33-40	Inductor, Ferrite Bead	8	-	-	-	-	-
-	Fuse 2.5 Amp	1	(650431-28)	(650431-28)	(650431-28)	(650431-28)	(650431-28)
J3	Connector, DB15S 15Pins	1	(650610-06)	(650610-06)	(650610-06)	(650610-06)	(650610-06)
J4	Connector, DB15S 15Pins	1	-	(650610-06)	(650610-06)	(650610-06)	(650610-06)
J5	Connector, DB15S 15Pins	1	-	-	-	(650610-06)	(650610-06)
J6	Connector, DB15S 15Pins	1	-	-	-	-	(650610-06)
J3	Jack Socket Kit	1	(650620)	(650620)	(650620)	(650620)	(650620)
J4	Jack Socket Kit	1	-	(650620)	(650620)	(650620)	(650620)
J5	Jack Socket Kit	1	-	-	-	(650620)	(650620)
J6	Jack Socket Kit	1	-	-	-	-	(650620)
R1	Resistor, 2%, 2W, .1Ohm	1	(650766-01)	(650766-01)	(650766-01)	(650766-01)	(650766-01)
LP1-8 LP41,42	Mov 20MM 47V,2000A	10	650796	650796	650796	650796	650796
LP9-12	Mov 20MM 47V,2000A	4	650796	650796	650796	650796	650796
LP13-16	Mov 20MM 47V,2000A	4	-	650796	650796	650796	650796
LP17-24	Mov 20MM 47V,2000A	8	-	-	650796	650796	650796
LP25-32	Mov 20MM 47V,2000A	8	-	-	-	650796	650796
LP33-40	Mov 20MM 47V,2000A	8	-	-	-	-	650796
J1	Header, Polzd., .100Ctrs. 50Pins.	1	(650872-50)	(650872-50)	(650872-50)	(650872-50)	(650872-50)
LP44	Mov 47V, 1000A	1	650875	650875	650875	650875	650875
C1-8 C41,42	Capacitor Ceramic Axial .01uF, 100V	10	(650882-01)	(650882-01)	(650882-01)	(650882-01)	(650882-01)
C9-12	Capacitor Ceramic Axial .01uF, 100V	4	(650882-01)	(650882-01)	(650882-01)	(650882-01)	(650882-01)
C13-16	Capacitor Ceramic Axial .01uF, 100V	4	-	(650882-01)	(650882-01)	(650882-01)	(650882-01)
C17-24	Capacitor Ceramic Axial .01uF, 100V	8	-	-	(650882-01)	(650882-01)	(650882-01)
C25-32	Capacitor Ceramic Axial .01uF, 100V	8	-	-	-	(650882-01)	(650882-01)
C33-40	Capacitor Ceramic Axial .01uF, 100V	8	-	-	-	-	(650882-01)
J2	Header, Polzd., .156Ctrs. 2Pins.	1	(650893-02)	(650893-02)	(650893-02)	(650893-02)	(650893-02)
J7	Header, Polzd., .156Ctrs. 5Pins.	1	(650893-05)	(650893-05)	(650893-05)	(650893-05)	(650893-05)
TB1,2	Terminal Block .300spc 1Pos	16	(651000-01)	(651000-01)	(651000-01)	(651000-01)	(651000-01)
TB3	Terminal Block .300spc 1Pos	8	(651000-01)	(651000-01)	(651000-01)	(651000-01)	(651000-01)
TB4	Terminal Block .300spc 1Pos	8	-	-	(651000-01)	(651000-01)	(651000-01)
TB5	Terminal Block .300spc 1Pos	8	-	-	-	(651000-01)	(651000-01)
TB6	Terminal Block .300spc 1Pos	8	-	-	-	-	(651000-01)
Q1-8 Q41,42	Triac, 6Amps	10	651138	651138	651138	651138	651138
Q9-12	Triac, 6Amps	4	651138	651138	651138	651138	651138
Q13-16	Triac, 6Amps	4	-	651138	651138	651138	651138
Q17-24	Triac, 6Amps	8	-	-	651138	651138	651138
Q25-32	Triac, 6Amps	8	-	-	-	651138	651138
Q33-40	Triac, 6Amps	8	-	-	-	-	651138
LP43	Mov 50V, 2500A	1	(651272)	(651272)	(651272)	(651272)	(651272)

Note: Part Numbers enclosed in brackets ( ) are not available individually, but may be sold in assemblies or kits.



ESP12SITEW/ ESP16SITEW/ ESP24SITEW/ ESP32SITEW/ ESP40SITEW  
(METAL WALL MOUNT, 120 VOLT, 60 Hz)

PWB ASSY ESP-SITE INTERFACE & MODEM



Ref.	Description	Qty.	12	16	24	32	40
<b>PWB ASSY ESP-SITE INTERFACE &amp; MODEM</b>			(634308)	(634308)	(634308)	(634308)	(634308)
LP1-3	Mov 230Vac,4500A	3	(630386)	(630386)	(630386)	(630386)	(630386)
-	Label. Bar Code 39	1	(631356-01)	(631356-01)	(631356-01)	(631356-01)	(631356-01)
U6	PROM Carrier Assy	1	633323-03	633323-03	633323-03	633323-03	633323-03
-	Printed Wiring board Fabrication	1	(634309)	(634309)	(634309)	(634309)	(634309)
C1,2	Capacitor Ceramic,Disc,30pF,50V	2	(650012-15)	(650012-15)	(650012-15)	(650012-15)	(650012-15)
LP4,5	Mov 33V,500A	2	650015	650015	650015	650015	650015
ZR1	Diode Zener, 5.1V	1	(650038-70)	(650038-70)	(650038-70)	(650038-70)	(650038-70)
C13	Capacitor, Electrl,Axial 100uF,10V	1	(650044-05)	(650044-05)	(650044-05)	(650044-05)	(650044-05)
R1	Resistor,Carbon Film,1/4W 100Ohms	1	650079-49	650079-49	650079-49	650079-49	650079-49
R3,13	Resistor,Carbon Film,1/4W 270Ohms	2	(650079-59)	(650079-59)	(650079-59)	(650079-59)	(650079-59)
R14-17	Resistor,Carbon Film,1/4W 1KOhm	4	(650079-73)	(650079-73)	(650079-73)	(650079-73)	(650079-73)
R2	Resistor,Carbon Film,1/4W 1.5KOhms	1	(650079-77)	(650079-77)	(650079-77)	(650079-77)	(650079-77)
R4,20, R21	Resistor,Carbon Film,1/4W 2KOhms	3	(650079-80)	(650079-80)	(650079-80)	(650079-80)	(650079-80)
R6,8,9, 18,19,22	Resistor,Carbon Film, 1/4W 4.7KOhms	6	650079-89	650079-89	650079-89	650079-89	650079-89

Note: Part Numbers enclosed in brackets ( ) are not available individually, but may be sold in assemblies or kits.

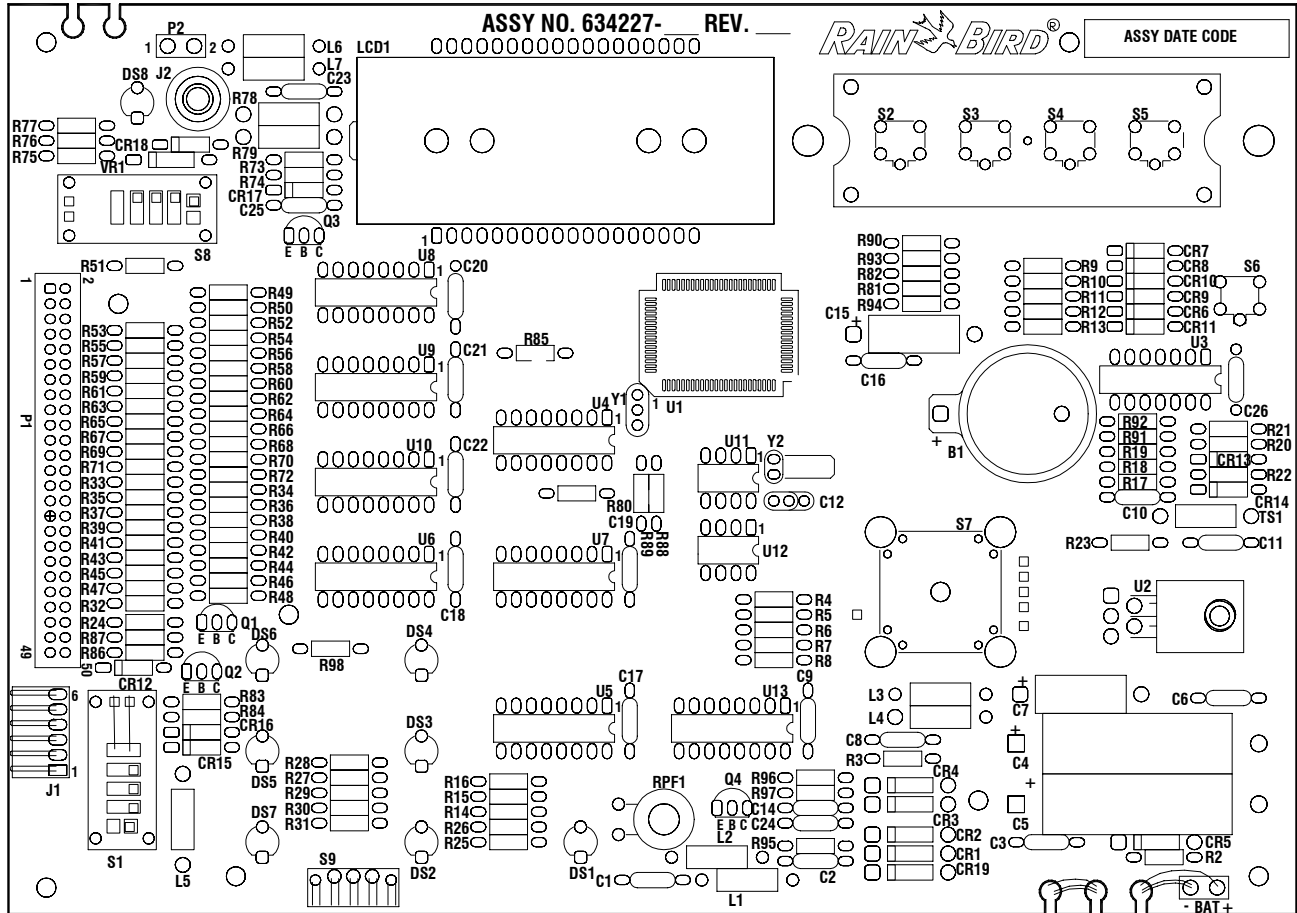
ESP12SITEW/ ESP16SITEW/ ESP24SITEW/ ESP32SITEW/ ESP40SITEW  
(METAL WALL MOUNT, 120 VOLT, 60 Hz)

Ref.	Description	Qty.	12	16	24	32	40
<b>PWB ASSY ESP-SITE INTERFACE &amp; MODEM, CONT.</b>							
R12	Resistor, Carbon Film, 1/4W 10KOhms	1	(650079-97)	(650079-97)	(650079-97)	(650079-97)	(650079-97)
R5,7,10,R11	Resistor, Carbon Film, 1/4W 47K Ohms	4	(650080-14)	(650080-14)	(650080-14)	(650080-14)	(650080-14)
C10	Capacitor, Electrl, Axial 10uF, 16V	1	(650083-01)	(650083-01)	(650083-01)	(650083-01)	(650083-01)
C4,12	Capacitor, Ceramic, Axial .01uF, 50V	2	650085-31	650085-31	650085-31	650085-31	650085-31
C6-9,11	Capacitor, Ceramic Axial 0.1uF, 50V	5	(650085-55)	(650085-55)	(650085-55)	(650085-55)	(650085-55)
TP1	Test Point, PC Mount	1	(650336-01)	(650336-01)	(650336-01)	(650336-01)	(650336-01)
Q1,2	TransistormPNP	2	650369	650369	650369	650369	650369
W1	Plug, Shorting	1	(650417)	(650417)	(650417)	(650417)	(650417)
U1,2,3	IC, Opto-Coupler	3	650445	650445	650445	650445	650445
W1	Header, .100Ctrs 3Pins	1	(650454-03)	(650454-03)	(650454-03)	(650454-03)	(650454-03)
L1,2	Inductor Ferrite Bead Lead	2	(650509)	(650509)	(650509)	(650509)	(650509)
C14,15	Capacitor, Ceramic, Radial .005uF, 1KV	2	(650516)	(650516)	(650516)	(650516)	(650516)
U6	Socket, PROM Carrier	1	650518-02	650518-02	650518-02	650518-02	650518-02
U8	IC, RS-232 Driver/Receiver	1	650559	650559	650559	650559	650559
C5	Capacitor, Tantalum, Radial 2.2uF, 25V	1	650583-03	650583-03	650583-03	650583-03	650583-03
C3	Capacitor, Tantalum, Radial 22uF, 25V	1	650583-09	650583-09	650583-09	650583-09	650583-09
S1	Switch, Slide, 4PDT	1	650609	650609	650609	650609	650609
U5	IC, Octal D-Type Latch	1	650611	650611	650611	650611	650611
Y1	Wire, 22Awg, Auto-Inserted .450Lead SP	.55	(650625-03)	(650625-03)	(650625-03)	(650625-03)	(650625-03)
ZR2	Transient Supresor	1	650658-01	650658-01	650658-01	650658-01	650658-01
Y1	Crystal, Quartz 11.059 MHz	1	650721	650721	650721	650721	650721
J3	Header, Low Profile 1- Pos	1	(650872-10)	(650872-10)	(650872-10)	(650872-10)	(650872-10)
TB1	Terminal Block, .300LD SP	4	(651000-01)	(651000-01)	(651000-01)	(651000-01)	(651000-01)
U7	IC, Noninverting Buffer	1	(651001)	(651001)	(651001)	(651001)	(651001)
U9	IC, Modem Module	1	(651002)	(651002)	(651002)	(651002)	(651002)
S2	Switch, Slide, 4P3T	1	(651003)	(651003)	(651003)	(651003)	(651003)
J2	Header, Polzd, Right Angle .098Ctrs	1	(651005-06)	(651005-06)	(651005-06)	(651005-06)	(651005-06)
U4	IC, Microcontroller	1	651031	651031	651031	651031	651031
J1	Board Spacerm .025" Sq.	1	(651308-11)	(651308-11)	(651308-11)	(651308-11)	(651308-11)
J4	Connector, Modular Jask, Low Prof.	1	(651317)	(651317)	(651317)	(651317)	(651317)
F1,2	Polyswitch, Series TR600	2	(651318)	(651318)	(651318)	(651318)	(651318)
R23,24	Resistor, Power metal Film	2	(651322)	(651322)	(651322)	(651322)	(651322)
GT1	Protector, Surge, Spark Gap	1	(651427)	(651427)	(651427)	(651427)	(651427)

Note: Part Numbers enclosed in brackets ( ) are not available individually, but may be sold in assemblies or kits.

ESP12SITEW/ ESP16SITEW/ ESP24SITEW/ ESP32SITEW/ ESP40SITEW  
(METAL WALL MOUNT, 120 VOLT, 60 Hz)

PWB ASSY ESP-MC ESC-1 CONTROLLER



Ref.	Description	Qty.	12	16	24	32	40
<b>PWB ASSY ESP-MC ESC-1 CONTROLLER</b>			(634227-02)	(634227-03)	(634227-04)	(634227-05)	(634227-06)
S7	Switch Rotary	1	(630609)	(630609)	(630609)	(630609)	(630609)
S8	Switch, Slide	1	(630651)	(630651)	(630651)	(630651)	(630651)
-	Label, Bar Code 39	1	(631356-01)	(631356-01)	(631356-01)	(631356-01)	(631356-01)
LCD1	Spacer, LCD	1	(632046)	(632046)	(632046)	(632046)	(632046)
P2	Sensor Cable	1	(632048-01)	(632048-01)	(632048-01)	(632048-01)	(632048-01)
J2	Spring, Shield .70 Long	1	(632898-01)	(632898-01)	(632898-01)	(632898-01)	(632898-01)
LCD1	Liquid, Crystal Display	1	(633087)	(633087)	(633087)	(633087)	(633087)
U1	Microcomp., Toshiba, OTP	1	(633088)	(633088)	(633088)	(633088)	(633088)
P1	Ribbon Cable Assy 50Ckts	1	(633090)	(633090)	(633090)	(633090)	(633090)
-	Printed Wiring Board	1	(634228)	(634228)	(634228)	(634228)	(634228)
C12	Capacitor, ceramic radial 6pF, 50V	1	(650012-04)	(650012-04)	(650012-04)	(650012-04)	(650012-04)
U2	Washer, Flat, carbon Steel	1	(650023-03)	(650023-03)	(650023-03)	(650023-03)	(650023-03)

Note: Part Numbers enclosed in brackets ( ) are not available individually, but may be sold in assemblies or kits.

ESP12SITEW/ ESP16SITEW/ ESP24SITEW/ ESP32SITEW/ ESP40SITEW  
(METAL WALL MOUNT, 120 VOLT, 60 Hz)

Ref.	Description	Qty.	12	16	24	32	40
<b>PWB ASSY ESP-MC ESC-1 CONTROLLER, CONT.</b>							
CR6	Diode, Switching	1	650037-01	650037-01	650037-01	650037-01	650037-01
CR7	Diode, Switching	1	650037-01	-	650037-01	-	650037-01
CR8	Diode, Switching	1	-	650037-01	650037-01	-	-
CR9	Diode, Switching	1	-	-	-	650037-01	650037-01
CR11-18	Diode, Switching	8	650037-01	650037-01	650037-01	650037-01	650037-01
VR1	Diode, Zener, 500mW, 5.6V	1	(650038-71)	(650038-71)	(650038-71)	(650038-71)	(650038-71)
C7, 15	Capacitor, Electrolytic, Axial 47uF, 10V	2	(650044-03)	(650044-03)	(650044-03)	(650044-03)	(650044-03)
BAT	Battery Snap 9V	1	650075	650075	650075	650075	650075
CR1-5 C19	Diode, Gen Purpose, 1Amp	6	650077-02	650077-02	650077-02	650077-02	650077-02
R23, 85 R98	Resistor, Carbon Film, 1/4W, 10Ohms	2	(650079-25)	(650079-25)	(650079-25)	(650079-25)	(650079-25)
R49-56 R24, 32,	Resistor, Carbon Film 1/4W, 150Ohms	11	(650079-53)	(650079-53)	(650079-53)	(650079-53)	(650079-53)
R57-60	Resistor, Carbon Film 1/4W, 150Ohms	4	(650079-53)	(650079-53)	(650079-53)	(650079-53)	(650079-53)
R61-64	Resistor, Carbon Film 1/4W, 150Ohms	4	-	(650079-53)	(650079-53)	(650079-53)	(650079-53)
R65-72	Resistor, Carbon Film 1/4W, 150Ohms	8	-	-	(650079-53)	(650079-53)	(650079-53)
R33-40	Resistor, Carbon Film 1/4W, 150Ohms	8	-	-	-	(650079-53)	(650079-53)
R41-48	Resistor, Carbon Film 1/4W, 150Ohms	8	-	-	-	-	(650079-53)
R25-31	Resistor, Carbon Film 1/4W 470Ohms	7	(650079-65)	(650079-65)	(650079-65)	(650079-65)	(650079-65)
R17, 95	Resistor, Carbon Film, 1/4W, 1KOhm	2	(650079-73)	(650079-73)	(650079-73)	(650079-73)	(650079-73)
R76	Resistor, Carbon Film, 1/4W, 2KOhms	1	(650079-80)	(650079-80)	(650079-80)	(650079-80)	(650079-80)
R2	Resistor, Carbon Film, 1/4W 3.3KOhms	1	(650079-85)	(650079-85)	(650079-85)	(650079-85)	(650079-85)
R88-90 R84, 87 R20-22	Resistor, Carbon Film, 1/4W, 4.7KOhms	8	650079-89	650079-89	650079-89	650079-89	650079-89
R92	Resistor, Carbon Film, 1/4W, 8.2KOhms	1	(650079-95)	(650079-95)	(650079-95)	(650079-95)	(650079-95)
R19, 91	Resistor, Carbon Film, 1/4W, 10Kohms	2	(650079-97)	(650079-97)	(650079-97)	(650079-97)	(650079-97)
R83, 86 R18, 80	Resistor, Carbon Film, 1/4W, 47KOhms	4	(650080-14)	(650080-14)	(650080-14)	(650080-14)	(650080-14)
R94 R82, 93, R43, 81 R4-16	Resistor, Carbon Film, 1/4W 100Kohms	18	(650080-22)	(650080-22)	(650080-22)	(650080-22)	(650080-22)
R96, 97 R74, 75 R3	Resistor, Carbon Film, 1/4W, 220KOhms	5	(650080-30)	(650080-30)	(650080-30)	(650080-30)	(650080-30)
C20, 24 C16, 17 C10, 14 C3, 8, 9	Capacitor, Ceramic Axial .1uF, 50V	9	(650085-55)	(650085-55)	(650085-55)	(650085-55)	(650085-55)

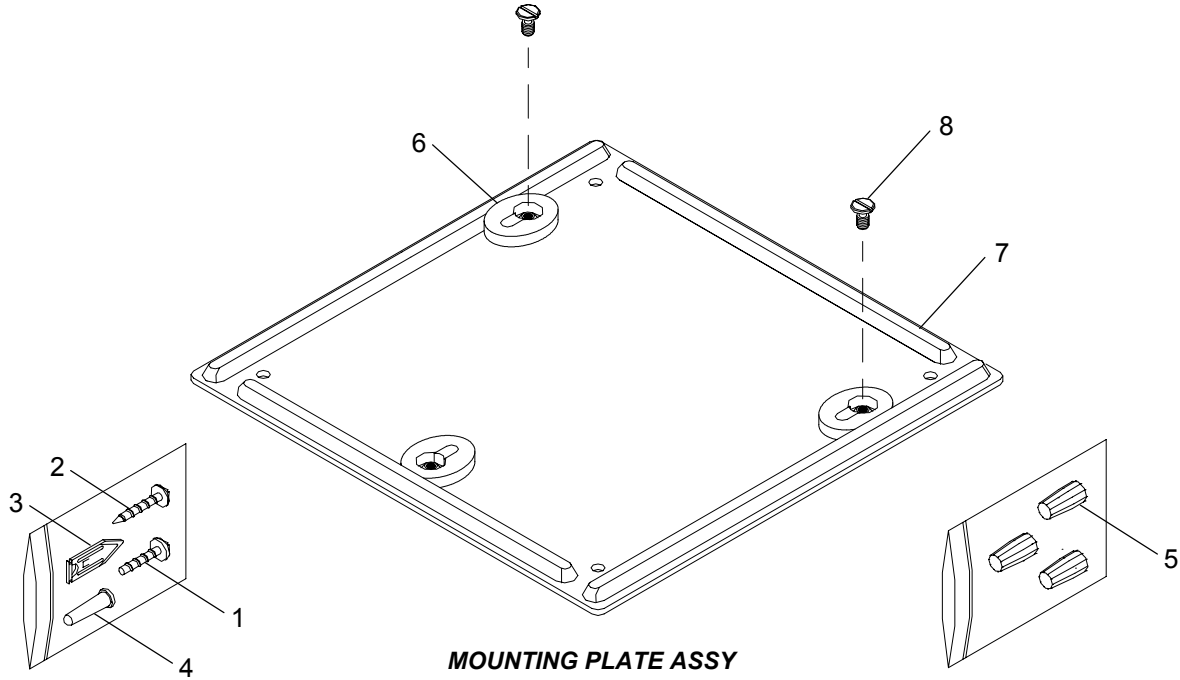
Note: Part Numbers enclosed in brackets ( ) are not available individually, but may be sold in assemblies or kits.

ESP12SITEW/ ESP16SITEW/ ESP24SITEW/ ESP32SITEW/ ESP40SITEW  
(METAL WALL MOUNT, 120 VOLT, 60 Hz)

Ref.	Description	Qty.	12	16	24	32	40
<b>PWB ASSY ESP-MC ESC-1 CONTROLLER, CONT.</b>							
C21	Capacitor,Ceramic Axial .1uF,50V	1	(650085-55)	(650085-55)	(650085-55)	(650085-55)	(650085-55)
C22	Capacitor,Ceramic Axial .1uF,50V	1	-	-	(650085-55)	(650085-55)	(650085-55)
C18	Capacitor,Ceramic Axial .1uF,50V	1	-	-	-	(650085-55)	(650085-55)
C19	Capacitor,Ceramic Axial .1uF,50V	1	-	-	-	-	(650085-55)
U2	Rivet,Blind Dome HD. .125Dia	1	(650139-05)	(650139-05)	(650139-05)	(650139-05)	(650139-05)
R78,79	Resistor,Carbon Film,1/2W,1KOhms	2	(650202-73)	(650202-73)	(650202-73)	(650202-73)	(650202-73)
L1-7	Inductor,Ferrite Bead	7	650300-05	650300-05	650300-05	650300-05	650300-05
U3	IC Quad OP Amp	1	650358	650358	650358	650358	650358
Q3,4	Transistor,NPN, 624mW	2	650367	650367	650367	650367	650367
Q1,2	Transistor,PNP	2	650369	650369	650369	650369	650369
Y2	Crystal,Quartz 32.768KHz	1	(650484)	(650484)	(650484)	(650484)	(650484)
TS1	Transient Suppressor 6.8V	1	(650595-01)	(650595-01)	(650595-01)	(650595-01)	(650595-01)
C5	Capacitor,Electrolyt,Axial 330uF,25V	1	(650624)	(650624)	(650624)	(650624)	(650624)
U4	3-8 Line Decoder	1	650699	650699	650699	650699	650699
S2,3,4 S5,6	Switch, Pushbutton	5	(650748)	(650748)	(650748)	(650748)	(650748)
C23,25 C1,2,11	Capacitor,ceramic Axial .01uF,100V	5	(650882-01)	(650882-01)	(650882-01)	(650882-01)	(650882-01)
C6	Capacitor,NPO,Axial 10pF,100V	1	(650883-13)	(650883-13)	(650883-13)	(650883-13)	(650883-13)
C26	Capacitor,NPO,Axial 220pF,100V	1	(650883-17)	(650883-17)	(650883-17)	(650883-17)	(650883-17)
U5,8	8Bit Addressable Latch	2	650889	650889	650889	650889	650889
U9	8Bit Addressable Latch	1	650889	650889	650889	650889	650889
U10	8Bit Addressable Latch	1	-	-	650889	650889	650889
U6	8Bit Addressable Latch	1	-	-	-	650889	650889
U7	8Bit Addressable Latch	1	-	-	-	-	650889
DS1-8	Led,red,.200Ctrs.	8	650910	650910	650910	650910	650910
U2	Regulator,Low Dropout	1	(650962)	(650962)	(650962)	(650962)	(650962)
J2	Eyelet, Spring	1	(650985)	(650985)	(650985)	(650985)	(650985)
J1	Header,Polzd.Radial,.100Ctrs 6Pins	1	(651005-06)	(651005-06)	(651005-06)	(651005-06)	(651005-06)
B1	Battery, Lithium	1	(651009)	(651009)	(651009)	(651009)	(651009)
B1	Holder,Battery Coin	1	(651010)	(651010)	(651010)	(651010)	(651010)
U11	IC,Real Time Clock	1	(651011)	(651011)	(651011)	(651011)	(651011)
U12	IC,EEPROM-4K Byte, Serial	1	(651012)	(651012)	(651012)	(651012)	(651012)
Y1	Resonator,ceramic 8.00MHz	1	(651013)	(651013)	(651013)	(651013)	(651013)
U13	IC,8Bit Input Mux	1	(651014)	(651014)	(651014)	(651014)	(651014)
C4	Capacitor,Electrolyt,Axial 1000uF,25V	1	(651054-12)	(651054-12)	(651054-12)	(651054-12)	(651054-12)
RPF1	Polyswitch,RXE,60V,.65A	1	(651055-08)	(651055-08)	(651055-08)	(651055-08)	(651055-08)
S9	Switch Slide	1	(651292)	(651292)	(651292)	(651292)	(651292)

Note: Part Numbers enclosed in brackets ( ) are not available individually, but may be sold in assemblies or kits.

ESP12SITEW/ ESP16SITEW/ ESP24SITEW/ ESP32SITEW/ ESP40SITEW  
 (METAL WALL MOUNT, 120 VOLT, 60 Hz)



**MOUNTING PLATE ASSY**

**SCREWS MOUNTING KIT**

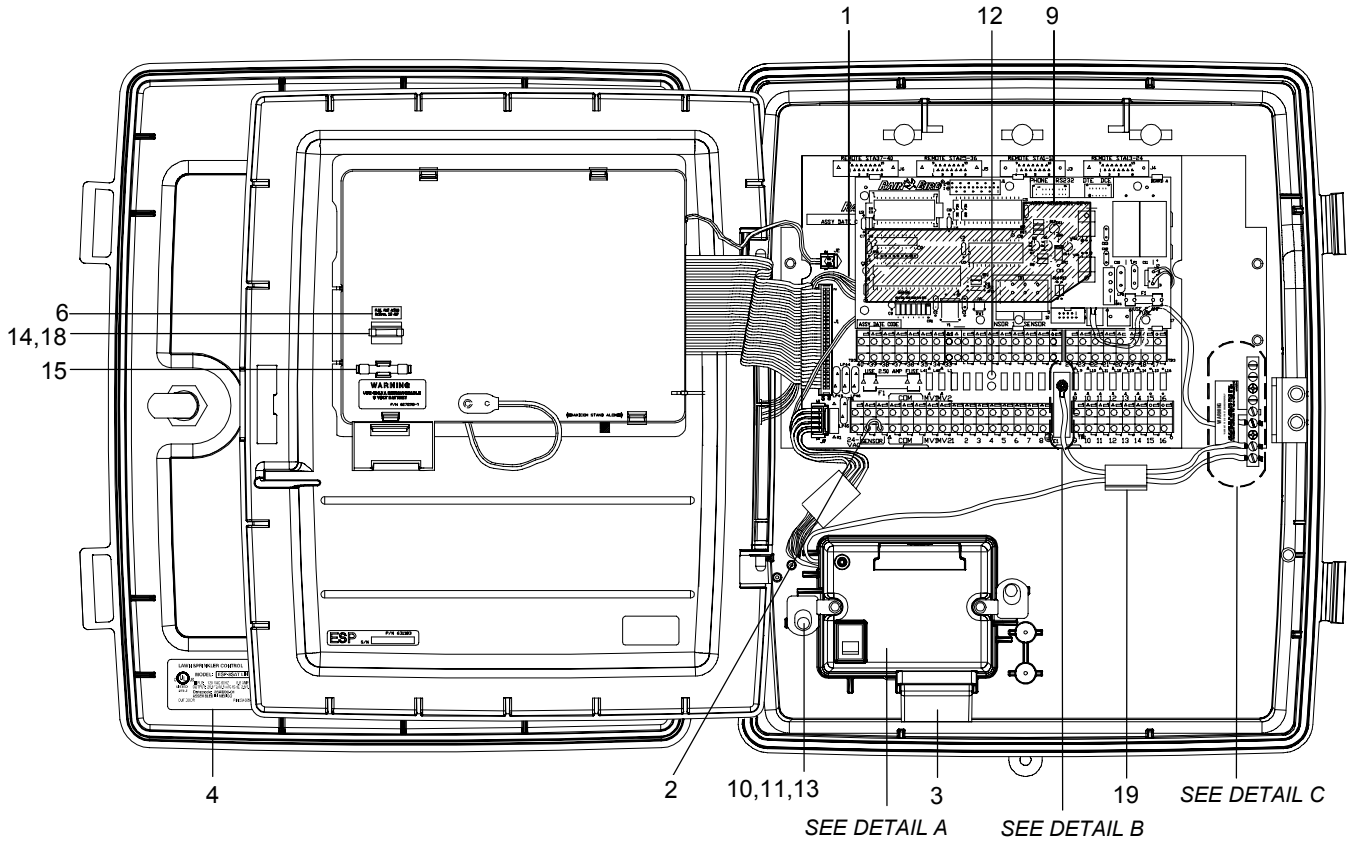
**WIRE NUTS KIT**

Ref.	Description	Qty.	12	16	24	32	40
<b>ACCESSORIES</b>							
	Card, Customer Registration-Tm	1	(632354)	(632354)	(632354)	(632354)	(632354)
-	Screws, Mounting, Kit	1	(633182)	(633182)	(633182)	(633182)	(633182)
1	Screw, Pan Hd, #10 x 1/4"	2	(650754-55)	(650754-55)	(650754-55)	(650754-55)	(650754-55)
-	Bag, Zip Lock, Plastic, 3X4	1	(650924-03)	(650924-03)	(650924-03)	(650924-03)	(650924-03)
2	Screw, Trhd Phil, Type A, 1 1/4	4	(651021-16)	(651021-16)	(651021-16)	(651021-16)	(651021-16)
3	Anchor, Wall, Hammer Drive	4	(651022)	(651022)	(651022)	(651022)	(651022)
4	Plastic Anchor 10-12 x1"	4	(651393-03)	(651393-03)	(651393-03)	(651393-03)	(651393-03)
-	Instructions, Instl & Oper	1	633686	633686	633686	633686	633686
-	Instr, Instal & Oper, Spanish	1	(633696)	(633696)	(633696)	(633696)	(633696)
-	Giude, Operations Addendum	1	(633942)	(633942)	(633942)	(633942)	(633942)
-	Cable Assy., Modem-Site	1	(634356)	(634356)	(634356)	(634356)	(634356)
-	Manual Addendum	1	(634482)	(634482)	(634482)	(634482)	(634482)
-	Poster, Installation Instructions	1	634529	634529	634529	634529	634529
-	Wire Nuts, Kit	1	(634613)	(634613)	(634613)	(634613)	(634613)
-	Label Warning Hang Tag-Local	1	(634503)	(634503)	(634503)	(634503)	(634503)
-	Bag, Zip Lock, Plastic, 2.5x3	1	(650924-01)	(650924-01)	(650924-01)	(650924-01)	(650924-01)
5	Wire Nut 22-14	3	(651351)	(651351)	(651351)	(651351)	(651351)
-	Manual Addendum, Spanish	1	(634618)	(634618)	(634618)	(634618)	(634618)
-	Mounting Plate Assy, WM Cabinet	1	(635005-02)	(635005-02)	(635005-02)	(635005-02)	(635005-02)
6	Washer, Epdm, Flat	3	(633274)	(633274)	(633274)	(633274)	(633274)
-	Mount Bracket Assy	1	(634594-02)	(634594-02)	(634594-02)	(634594-02)	(634594-02)
7	Mount Bracket	1	(634484)	(634484)	(634484)	(634484)	(634484)
8	Stand-Off Screw S.S.	2	(634538-02)	(634538-02)	(634538-02)	(634538-02)	(634538-02)
-	Cable Tie, Nylon 7/8 Bundle	1	650131	650131	650131	650131	650131
-	Bag, Zip Lock, Plastic, 2.5x3	2	(650924-01)	(650924-01)	(650924-01)	(650924-01)	(650924-01)
-	Battery, Nicad 7.2V	1	650929	650929	650929	650929	650929

Note: Part Numbers enclosed in brackets ( ) are not available individually, but may be sold in assemblies or kits.

ESP12SITEP/ ESP16SITEP/ ESP24SITEP/ ESP32SITEP/ ESP40SITEP  
(PLASTIC WALL MOUNT, 120 VOLT, 60 Hz)

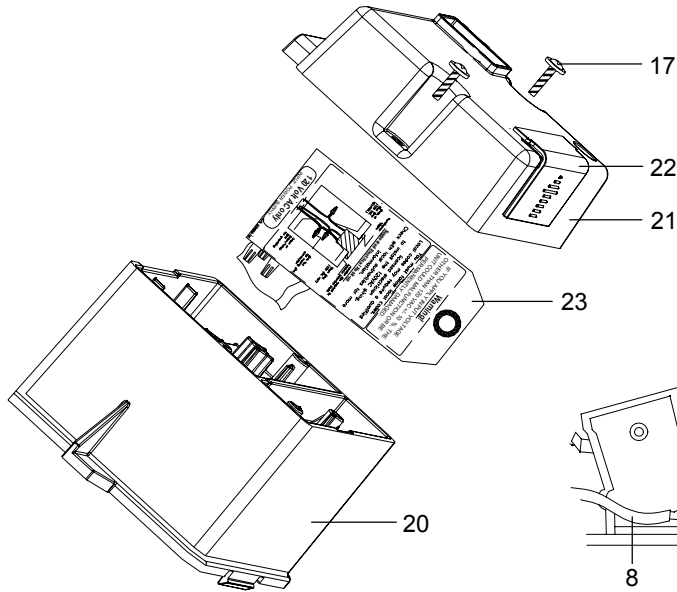
CONTROLLER ASSEMBLY



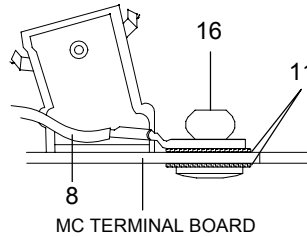
Ref.	Description	Qty.	12	16	24	32	40
<b>CONTROLLER ASSEMBLY</b>			(635067-02)	(635067-03)	(635067-04)	(635067-05)	(635067-06)
-	Card, Customer Registration-Tm	1	(632354)	(632354)	(632354)	(632354)	(632354)
1	Cable Assy, 2Wire/Link Intfc	1	(633132)	(633132)	(633132)	(633132)	(633132)
2	Sensor Jumper Wire	1	(633442)	(633442)	(633442)	(633442)	(633442)
3	Cover, Ac Mains	1	(633821)	(633821)	(633821)	(633821)	(633821)
-	Hinge, Piano Wire	1	(633826)	(633826)	(633826)	(633826)	(633826)
4	Label, Rating	1	(634385-25)	(634385-25)	(634385-25)	(634385-25)	(634385-25)
5	Label Warning Grounding	1	(634502)	(634502)	(634502)	(634502)	(634502)
-	Label, Warning Corrosion Inhib	1	(634558)	(634558)	(634558)	(634558)	(634558)
6	Label, Fuse 2.0 Amp.	1	(634616)	(634616)	(634616)	(634616)	(634616)
7	Ground Wire Assy 12 Awg (8)	1	(634943-08)	(634943-08)	(634943-08)	(634943-08)	(634943-08)
8	Ground Wire Assy 12 Awg (11)	1	(634943-11)	(634943-11)	(634943-11)	(634943-11)	(634943-11)
9	Pwb Foam, Esp Site-P	1	(635101)	(635101)	(635101)	(635101)	(635101)
10	Bracket, Xfmr Enclosure	2	(635112)	(635112)	(635112)	(635112)	(635112)
11	Wshr Lk, #10, Ext-Tooth,Z-Pltd	6	(650162-04)	(650162-04)	(650162-04)	(650162-04)	(650162-04)
12	Screw Phl Pnh Hi-Lo 7-19x1/2	3	(650183-63)	(650183-63)	(650183-63)	(650183-63)	(650183-63)
13	Screw, Pnh, Hi-Lo,Cs	2	(650249-16)	(650249-16)	(650249-16)	(650249-16)	(650249-16)
14	Fuse 5x20MM 2Amps	1	(650307-03)	(650307-03)	(650307-03)	(650307-03)	(650307-03)
15	Fuse, Slowblow, 250V, 2-1/2 Amp	1	(650431-28)	(650431-28)	(650431-28)	(650431-28)	(650431-28)
16	Rivet, Blin 0.19	2	(650434-13)	(650434-13)	(650434-13)	(650434-13)	(650434-13)
17	Screw, 6-19 x 7/16 Hi-Lo W/Wshr	2	(650563-47)	(650563-47)	(650563-47)	(650563-47)	(650563-47)

Note: Part Numbers enclosed in brackets ( ) are not available individually, but may be sold in assemblies or kits.

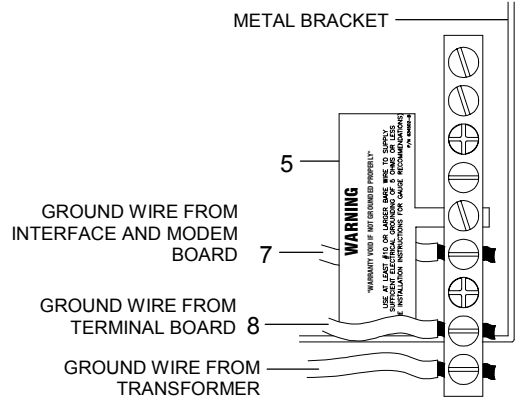
ESP12SITEP/ ESP16SITEP/ ESP24SITEP/ ESP32SITEP/ ESP40SITEP  
(PLASTIC WALL MOUNT, 120 VOLT, 60 Hz)



**DETAIL A**  
XFMR ENCLOSURE ASSY



**DETAIL B**  
VIEWED FROM RIGHT SIDE  
OF THE CONTROLLER



**DETAIL C**  
VIEWED FROM TOP SIDE  
OF THE CONTROLLER

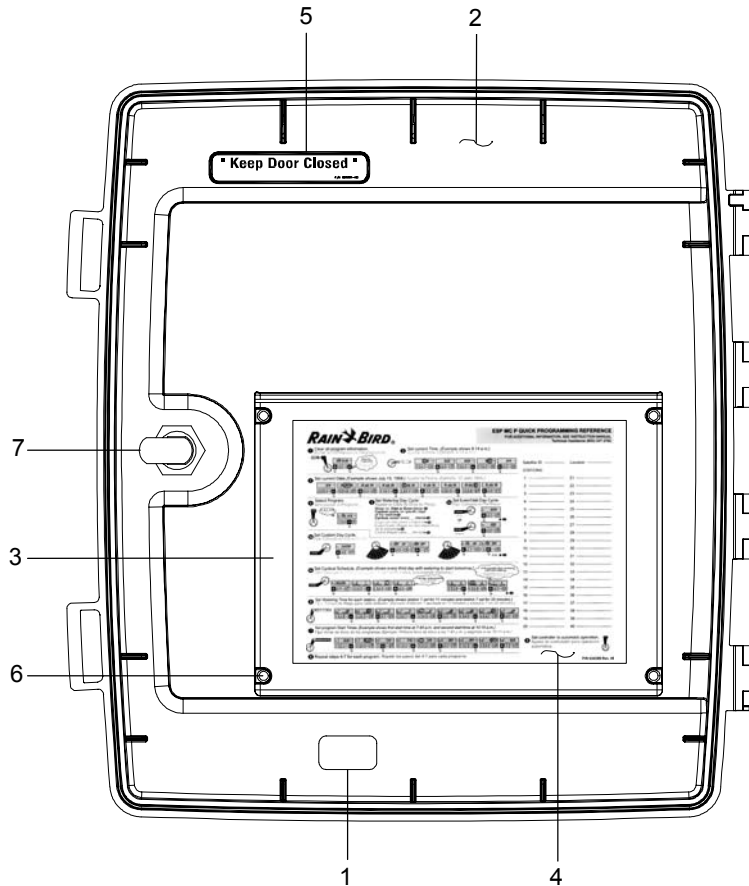
Ref.	Description	Qty.	12	16	24	32	40
<b>CONTROLLER ASSEMBLY, CONT.</b>							
-	Spacer Circuit Brd. Edge Hold.	6	(650912-05)	(650912-05)	(650912-05)	(650912-05)	(650912-05)
-	Spacer Circuit Board Edge Hold	6	(650912-10)	(650912-10)	(650912-10)	(650912-10)	(650912-10)
-	Impregnated Foam Corrosion Inh	1	(651331)	(651331)	(651331)	(651331)	(651331)
18	Holder Fuse	1	(651384)	(651384)	(651384)	(651384)	(651384)
19	Wire Clip With Adhesive	1	(651446-02)	(651446-02)	(651446-02)	(651446-02)	(651446-02)
<b>XFMR ENCLOSURE ASSY</b>			634383-01	634383-01	634383-01	634383-01	634383-01
20	Enclosure, Transformer Top Im	1	(633777)	(633777)	(633777)	(633777)	(633777)
21	Cover, Hingh Voltage Board	1	(633778)	(633778)	(633778)	(633778)	(633778)
22	Cover, Fuse Pcb	1	(633779)	(633779)	(633779)	(633779)	(633779)
-	Enclosure, Transformer Bottom	1	(633822)	(633822)	(633822)	(633822)	(633822)
-	Xfmr Power 120,230 Vac	1	(634238)	(634238)	(634238)	(634238)	(634238)
-	Cable Tie, Nylon 7/8 Bundle	1	650131	650131	650131	650131	650131
-	Closed End, Splice	1	(650828)	(650828)	(650828)	(650828)	(650828)
<b>ACCESORIES</b>							
-	Instructions, Instl & Oper t	1	633686	633686	633686	633686	633686
-	Instr, Instal & Oper, Spanish	1	(633696)	(633696)	(633696)	(633696)	(633696)
-	Giude, Operations Addendum	1	(633942)	(633942)	(633942)	(633942)	(633942)
-	Manual Addendum, Esp-Site	1	(634482)	(634482)	(634482)	(634482)	(634482)
23	Wire Nuts, Kit	1	(634613)	(634613)	(634613)	(634613)	(634613)
-	Label Warning Hang Tag-Local	1	(634503)	(634503)	(634503)	(634503)	(634503)
-	Bag, Zip Lock, Plastic, 2.5x3	1	(650924-01)	(650924-01)	(650924-01)	(650924-01)	(650924-01)
-	Wire Nut 22-14	3	(651351)	(651351)	(651351)	(651351)	(651351)
-	Manual Addendum, Spanish	1	(634618)	(634618)	(634618)	(634618)	(634618)
-	Poster, Installation Inst.	1	(634728)	(634728)	(634728)	(634728)	(634728)

Note: Part Numbers enclosed in brackets ( ) are not available individually, but may be sold in assemblies or kits.



ESP12SITEP/ ESP16SITEP/ ESP24SITEP/ ESP32SITEP/ ESP40SITEP  
 (PLASTIC WALL MOUNT, 120 VOLT, 60 Hz)

DOOR ASSEMBLY

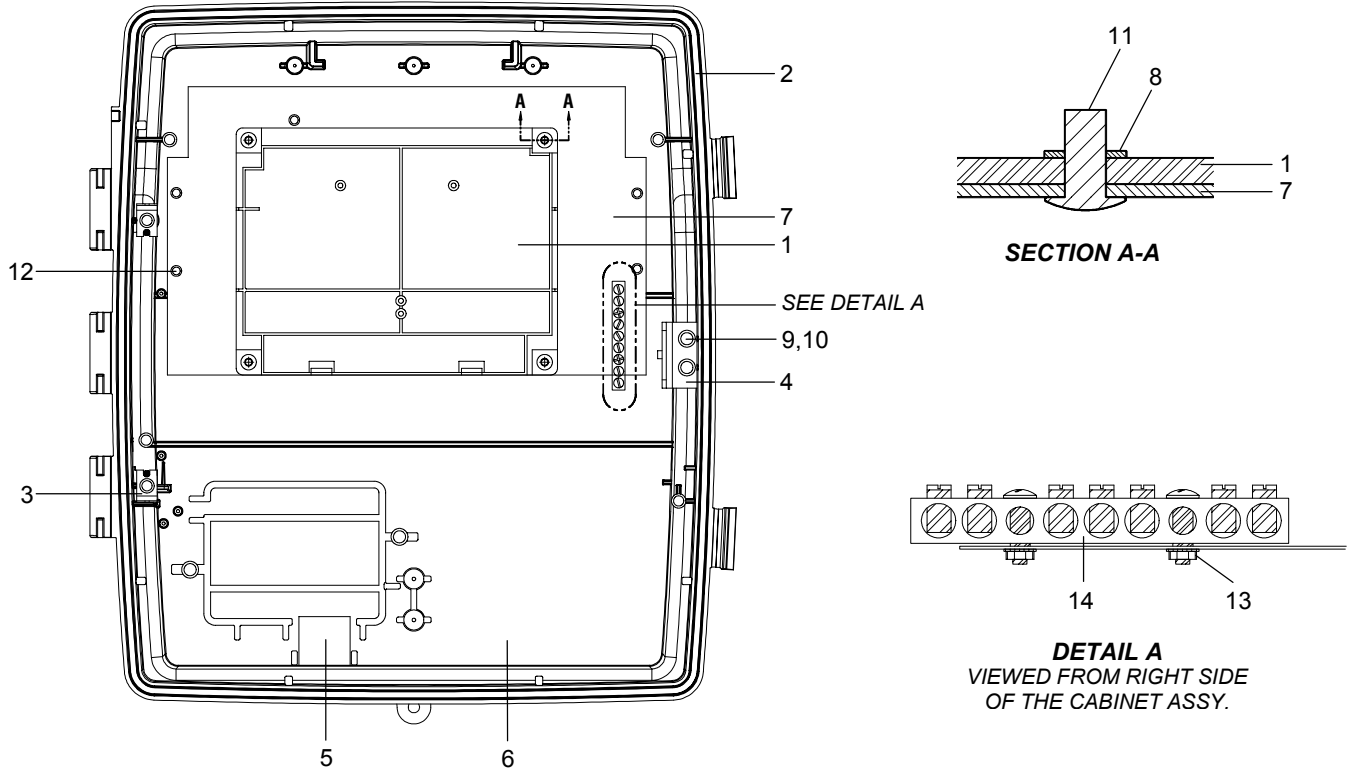


Ref.	Description	Qty.	12	16	24	32	40
<b>DOOR ASSEMBLY</b>			(634384)	(634384)	(634384)	(634384)	(634384)
1	Label Fcc Compliance	1	(629941)	(629941)	(629941)	(629941)	(629941)
2	Enclosure Cabinet Top	1	(633781-01)	(633781-01)	(633781-01)	(633781-01)	(633781-01)
3	Pocket, Cabinet Top	1	(633783-01)	(633783-01)	(633783-01)	(633783-01)	(633783-01)
4	Quick Prog. Guide	1	634389	634389	634389	634389	634389
5	Label, Keep Door Closed	1	(634501)	(634501)	(634501)	(634501)	(634501)
6	Screw, 6-19 x 7/16 Hi-lo W/Wshr	4	(650563-47)	(650563-47)	(650563-47)	(650563-47)	(650563-47)
7	Lock, Cam	1	650755	650755	650755	650755	650755

Note: Part Numbers enclosed in brackets ( ) are not available individually, but may be sold in assemblies or kits.

ESP12SITEP/ ESP16SITEP/ ESP24SITEP/ ESP32SITEP/ ESP40SITEP  
 (PLASTIC WALL MOUNT, 120 VOLT, 60 Hz)

CABINET ASSEMBLY

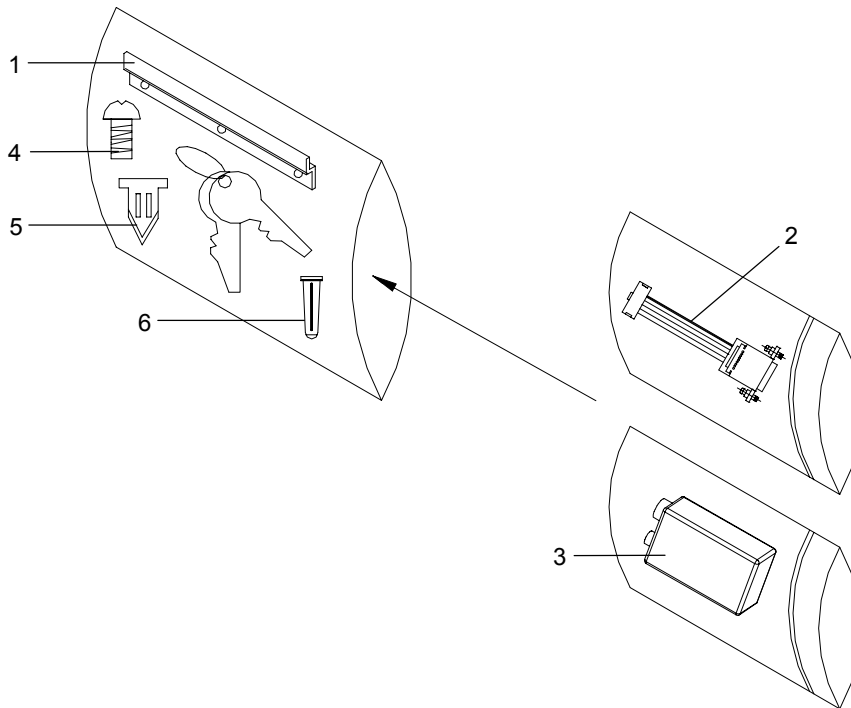


Ref.	Description	Qty.	12	16	24	32	40
<b>CABINET ASSEMBLY</b>			(634381)	(634381)	(634381)	(634381)	(634381)
1	Spacer, Terminal Board	1	(631919)	(631919)	(631919)	(631919)	(631919)
2	Gasket, Foam	1	(633402)	(633402)	(633402)	(633402)	(633402)
3	Hinge, Stamping	2	(633403)	(633403)	(633403)	(633403)	(633403)
4	Hasp Door Lock	1	(633405)	(633405)	(633405)	(633405)	(633405)
-	Bracket, Wall Mount	1	(633406)	(633406)	(633406)	(633406)	(633406)
5	Wiring Insulator Compartment	1	(633407)	(633407)	(633407)	(633407)	(633407)
6	Enclosure, Cabinet Bottom	1	(633780-01)	(633780-01)	(633780-01)	(633780-01)	(633780-01)
7	Bracket	1	(634291)	(634291)	(634291)	(634291)	(634291)
8	Washer, Flat #10 .032	4	(650023-13)	(650023-13)	(650023-13)	(650023-13)	(650023-13)
9	Washer Lk, #8, Ext-tooth, Z-Pltd	4	(650162-03)	(650162-03)	(650162-03)	(650162-03)	(650162-03)
10	Screw Phl Pnh Hi-Lo 4-24x1/4	4	(650183-78)	(650183-78)	(650183-78)	(650183-78)	(650183-78)
-	Screw, Pnh, Hi-Lo. Cs	3	(650249-71)	(650249-71)	(650249-71)	(650249-71)	(650249-71)
11	Rivet, Blind 0.19	4	(650434-13)	(650434-13)	(650434-13)	(650434-13)	(650434-13)
12	Screw, 5-20 x 3/8 Hi-Lo W/Wshr	5	(650563-36)	(650563-36)	(650563-36)	(650563-36)	(650563-36)
13	Nut, #8-32 Hex W/Star Washer	2	(650634-04)	(650634-04)	(650634-04)	(650634-04)	(650634-04)
14	Bar Bus Grounding	2	(651440)	(651440)	(651440)	(651440)	(651440)

Note: Part Numbers enclosed in brackets ( ) are not available individually, but may be sold in assemblies or kits.

ESP12SITEP/ ESP16SITEP/ ESP24SITEP/ ESP32SITEP/ ESP40SITEP  
 (PLASTIC WALL MOUNT, 120 VOLT, 60 Hz)

**COLLATERAL PACKAGE**

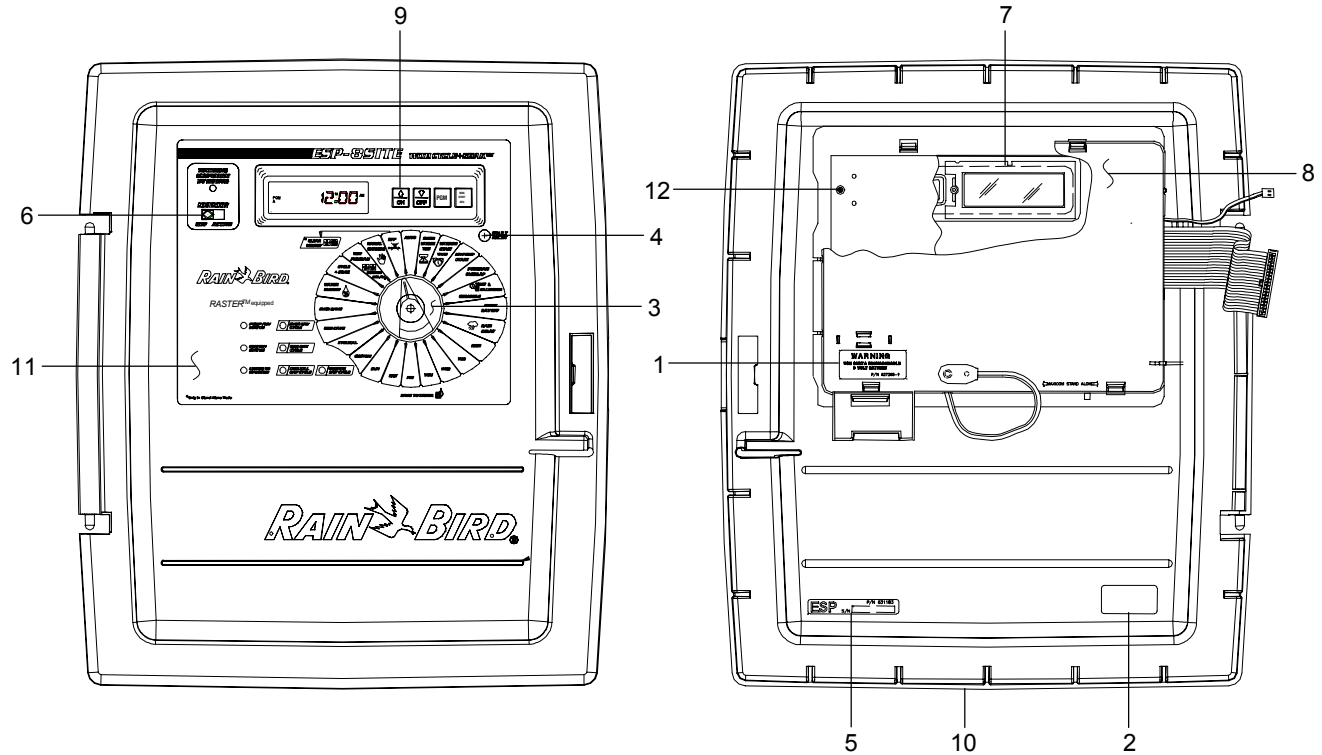


Ref.	Description	Qty.	12	16	24	32	40
<b>COLLATERAL PACKAGE</b>			(634379-02)	(634379-02)	(634379-02)	(634379-02)	(634379-02)
-	Bag, Poly	1	(628282-17)	(628282-17)	(628282-17)	(628282-17)	(628282-17)
1	Bracket, Wall Mount	1	(633406)	(633406)	(633406)	(633406)	(633406)
2	Cable Assy, Modem-Site	1	(634356)	(634356)	(634356)	(634356)	(634356)
-	Bag, Zip Lock. 2.5x3	2	(650924-01)	(650924-01)	(650924-01)	(650924-01)	(650924-01)
3	Battery, Nicad 7.2V	1	650929	650929	650929	650929	650929
4	Screw, Trhd Phil, Type A, 1 1/4	4	(651021-16)	(651021-16)	(651021-16)	(651021-16)	(651021-16)
5	Anchor, Wall, Hammer Drive	4	(651022)	(651022)	(651022)	(651022)	(651022)
6	Plastic Anchor 10-12 x 1"	4	(651393-03)	(651393-03)	(651393-03)	(651393-03)	(651393-03)

Note: Part Numbers enclosed in brackets ( ) are not available individually, but may be sold in assemblies or kits.

ESP12SITEP/ ESP16SITEP/ ESP24SITEP/ ESP32SITEP/ ESP40SITEP  
 (PLASTIC WALL MOUNT, 120 VOLT, 60 Hz)

**FRONT PANEL ASSEMBLY**

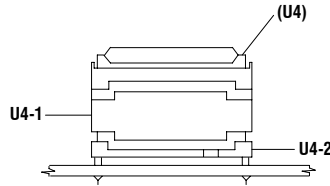
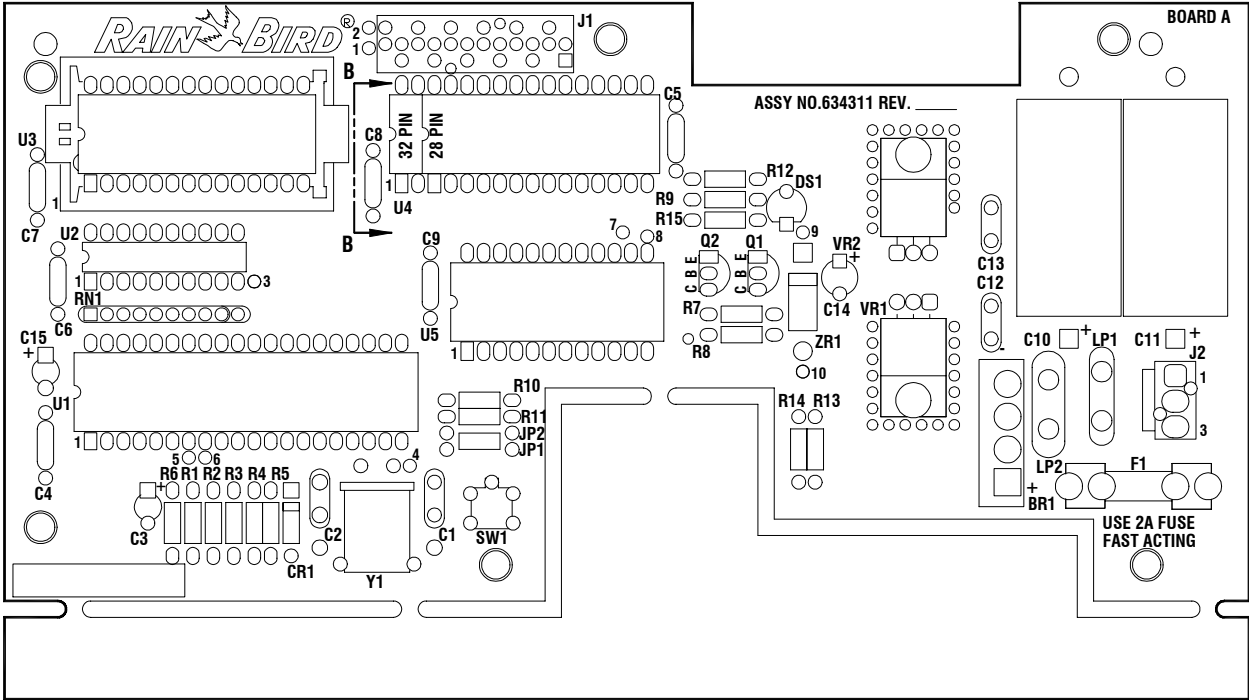


Ref.	Description	Qty.	12	16	24	32	40
<b>FRONT PANEL ASSEMBLY</b>			(635066-02)	(635066-03)	(635066-04)	(635066-05)	(635066-06)
1	Label Warning Cic 8/12	1	(627298)	(627298)	(627298)	(627298)	(627298)
2	Label Date Code	1	(627867)	(627867)	(627867)	(627867)	(627867)
3	Function Select Knob Assy, Gray	1	630946	630946	630946	630946	630946
-	Esp Funct Select Knob, Gray	1	(630947)	(630947)	(630947)	(630947)	(630947)
-	Ring Compression	1	(650505-06)	(650505-06)	(650505-06)	(650505-06)	(650505-06)
4	Button, Tm Pb Switch	1	(631136)	(631136)	(631136)	(631136)	(631136)
5	Label, Serial, Esp	1	(631183)	(631183)	(631183)	(631183)	(631183)
6	Switch, Actuator-Paragon	1	(632510)	(632510)	(632510)	(632510)	(632510)
7	Lens, LCD-Esp-C/Lx	1	632700	632700	632700	632700	632700
8	Assy, Cover Foil	1	(632905)	(632905)	(632905)	(632905)	(632905)
-	Cover, Pwb	1	(631920)	(631920)	(631920)	(631920)	(631920)
-	Shield Foil	1	(632904)	(632904)	(632904)	(632904)	(632904)
9	Keypad, Silicone	1	(632908)	(632908)	(632908)	(632908)	(632908)
10	Assy, Front Panel/Shield	1	(634392)	(634392)	(634392)	(634392)	(634392)
-	Shield, Front Panel	1	(632897)	(632897)	(632897)	(632897)	(632897)
-	Esp-Mc-P Front Panel	1	(634209)	(634209)	(634209)	(634209)	(634209)
11	Overlay Front Panel	1	(634401-02)	(634401-03)	(634401-04)	(634401-05)	(634401-06)
12	Screw, 4-24 x 5/16 Hi-Lo W/Washer	5	(650563-23)	(650563-23)	(650563-23)	(650563-23)	(650563-23)

Note: Part Numbers enclosed in brackets ( ) are not available individually, but may be sold in assemblies or kits.

ESP12SITEP/ ESP16SITEP/ ESP24SITEP/ ESP32SITEP/ ESP40SITEP  
 (PLASTIC WALL MOUNT, 120 VOLT, 60 Hz)

PWB ASSY ESP-SITE CONTROL UNIT



SECTION B-B

Ref.	Description	Qty.	12	16	24	32	40
	<b>PWB ASSY ESP-SITE CONTROL UNIT</b>		(634311)	(634311)	(634311)	(634311)	(634311)
-	Label, Bar Code 39	1	(631356-01)	(631356-01)	(631356-01)	(631356-01)	(631356-01)
U4	IC, SRAM, 128K x 8, CMOS	1	632150	632150	632150	632150	632150
U4-1	IC, Clock/Battery Socket	1	632151	632151	632151	632151	632151
U3	IC, Prom Assy	1	(633614-57)	(633614-57)	(633614-57)	(633614-57)	(633614-57)
-	Printed Wiring Board	1	(634312)	(634312)	(634312)	(634312)	(634312)
C1,2	Capacitor, Ceramic, Disc 30pF, 50V	2	(650012-15)	(650012-15)	(650012-15)	(650012-15)	(650012-15)
C12,13	Capacitor, ceramic, Disc 0.1uF, 500V	2	650013-45	650013-45	650013-45	650013-45	650013-45
LP1,2	Mov 33V, 500A	2	650015	650015	650015	650015	650015

Note: Part Numbers enclosed in brackets ( ) are not available individually, but may be sold in assemblies or kits.

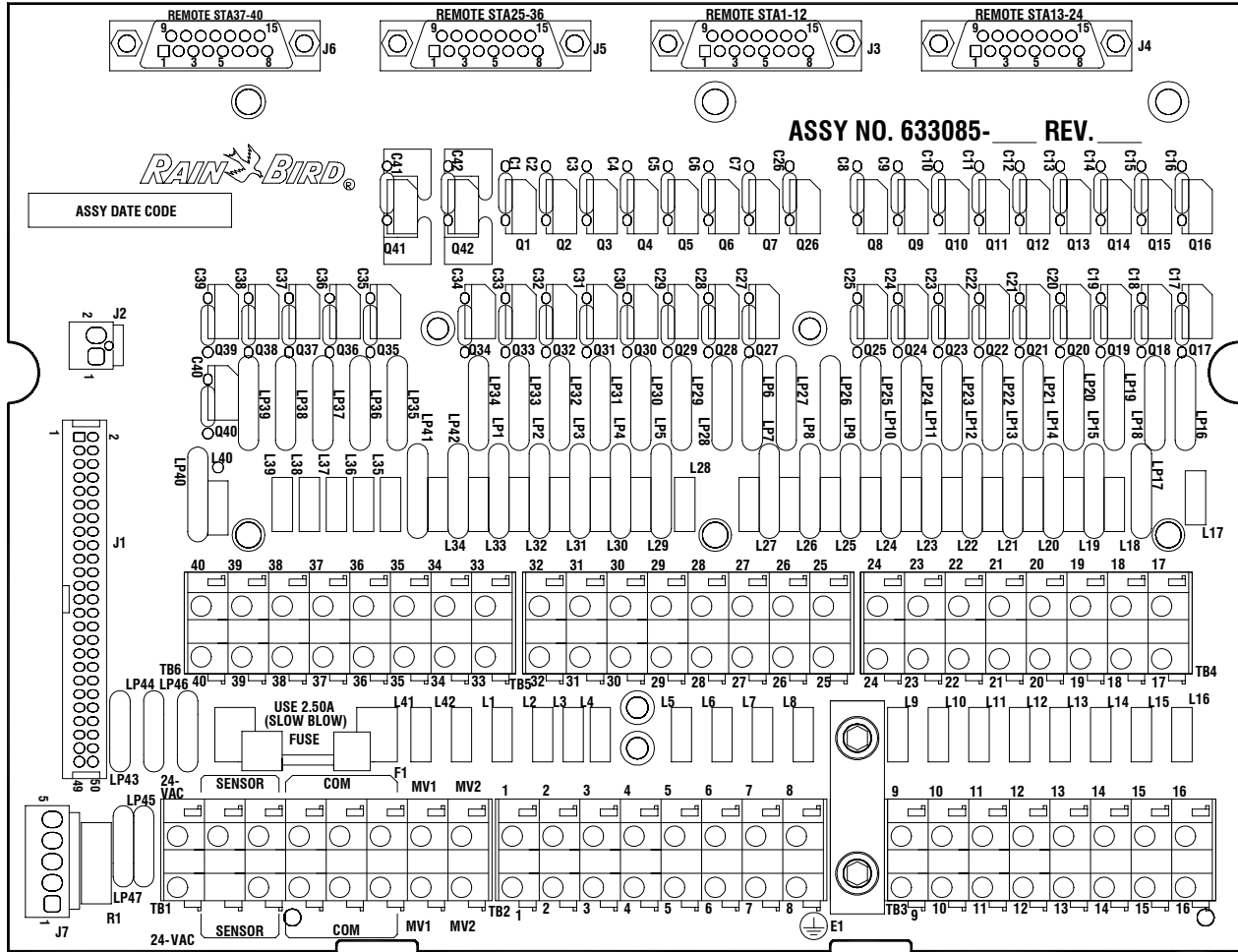
ESP12SITEP/ESP16SITEP/ESP24SITEP/ESP32SITEP/ESP40SITEP  
(PLASTIC WALL MOUNT, 120 VOLT, 60 Hz)

Ref.	Description	Qty.	12	16	24	32	40
<b>PWB ASSY ESP-SITE CONTROL UNIT, CONT.</b>							
CR1	Diode	1	650037-01	650037-01	650037-01	650037-01	650037-01
R9	Resistor, Carbon Film, 1/4W, 1K Ohms	1	(650079-73)	(650079-73)	(650079-73)	(650079-73)	(650079-73)
R1-4, 6-8, 10, 11, 15	Resistor, carbon Film, 1/4W, 10K Ohms	10	(650079-97)	(650079-97)	(650079-97)	(650079-97)	(650079-97)
R5, 12, R13, 14	Resistor, carbon Film, 1/4W, 100K Ohms	4	(650080-22)	(650080-22)	(650080-22)	(650080-22)	(650080-22)
Q1, 2	Transistor, NPN	2	650084	650084	650084	650084	650084
C4-9	Capacitor, ceramic, Axial 0.1uF, 50V	6	(650085-55)	(650085-55)	(650085-55)	(650085-55)	(650085-55)
-	Grease	.01	(650101)	(650101)	(650101)	(650101)	(650101)
-	Rivet, Blind, Dome-Head .125Dia	2	(650139-05)	(650139-05)	(650139-05)	(650139-05)	(650139-05)
F1	Fuse, Mini, .197 Dia	1	(650307-03)	(650307-03)	(650307-03)	(650307-03)	(650307-03)
F1	Minifuse, Clips, .197Dia	2	(650308)	(650308)	(650308)	(650308)	(650308)
VR2	Voltage Regulator, 7805, +5V	1	650332	650332	650332	650332	650332
Y1	Crystal, Quartz 3.600Mhz	1	650334	650334	650334	650334	650334
U3	Socket, PROM Carrier	1	650518-02	650518-02	650518-02	650518-02	650518-02
BR1	Bridge, Rectifier 4A, 200V	1	650581-03	650581-03	650581-03	650581-03	650581-03
C3, 15	Capacitor, Tantalum, Radial 10uF, 25V	2	(650583-07)	(650583-07)	(650583-07)	(650583-07)	(650583-07)
C14	Capacitor Tantalum, Radial	1	650583-09	650583-09	650583-09	650583-09	650583-09
U2	IC, Octal D-Type Latch	1	650611	650611	650611	650611	650611
U4-2	Socket, Dip, Low-Profile 32Pins	1	(650622-11)	(650622-11)	(650622-11)	(650622-11)	(650622-11)
Y1	Wire, 22awg, Auto-Inserted .450Lead	2	(650625-03)	(650625-03)	(650625-03)	(650625-03)	(650625-03)
ZR1	Transient Suppressor	1	650658-01	650658-01	650658-01	650658-01	650658-01
J2	Header, St. Sq., Pin, 3Pos	1	(650893-03)	(650893-03)	(650893-03)	(650893-03)	(650893-03)
DS1	Led, Clear red, Superbright	1	650910	650910	650910	650910	650910
C10, 11	Capacitor, Electrl, Axial, 3300uF, 25V	2	(650954)	(650954)	(650954)	(650954)	(650954)
U1	IC, Microcontroller	1	651031	651031	651031	651031	651031
SW1	Switch, Tact Push	1	(651109)	(651109)	(651109)	(651109)	(651109)
U5	IC, I/O Expander	1	(651294)	(651294)	(651294)	(651294)	(651294)
J1	Box Connector Strip 12Pos	1	(651309-11)	(651309-11)	(651309-11)	(651309-11)	(651309-11)
RN1	Resistor, Network, 9Pins 10K Ohms	1	(651310)	(651310)	(651310)	(651310)	(651310)
VR1	Voltage Regulator, 7812 +12V, 1A	1	(651352)	(651352)	(651352)	(651352)	(651352)

Note: Part Numbers enclosed in brackets ( ) are not available individually, but may be sold in assemblies or kits.

ESP12SITEP/ ESP16SITEP/ ESP24SITEP/ ESP32SITEP/ ESP40SITEP  
(PLASTIC WALL MOUNT, 120 VOLT, 60 Hz)

PWB ASSY TERMINAL



Ref.	Description	Qty.	12	16	24	32	40
<b>PWB ASSY TERMINAL</b>							
			(633085-02)	(633085-03)	(633085-04)	(633085-05)	(633085-06)
LP45,47	Mov 56V, 1000A	2	624624	624624	624624	624624	624624
LP46	Mov 56V, 1000A	1	624624	624624	624624	624624	624624
-	Label bar code 39	1	(631356-01)	(631356-01)	(631356-01)	(631356-01)	(631356-01)
-	Printed Wiring Board	1	(633086)	(633086)	(633086)	(633086)	(633086)
-	Fuse clip	2	(650098)	(650098)	(650098)	(650098)	(650098)
-	Solder	.01	(650160)	(650160)	(650160)	(650160)	(650160)
L41,42 L1-8	Inductor Ferrite Bead	10	650300-05	650300-05	650300-05	650300-05	650300-05
L9-12	Inductor Ferrite Bead	4	650300-05	650300-05	650300-05	650300-05	650300-05
L13-16	Inductor Ferrite Bead	4	-	650300-05	650300-05	650300-05	650300-05
L9-12	Inductor Ferrite Bead	4	650300-05	650300-05	650300-05	650300-05	650300-05

Note: Part Numbers enclosed in brackets ( ) are not available individually, but may be sold in assemblies or kits.

ESP12SITEP/ESP16SITEP/ESP24SITEP/ESP32SITEP/ESP40SITEP  
(PLASTIC WALL MOUNT, 120 VOLT, 60 Hz)

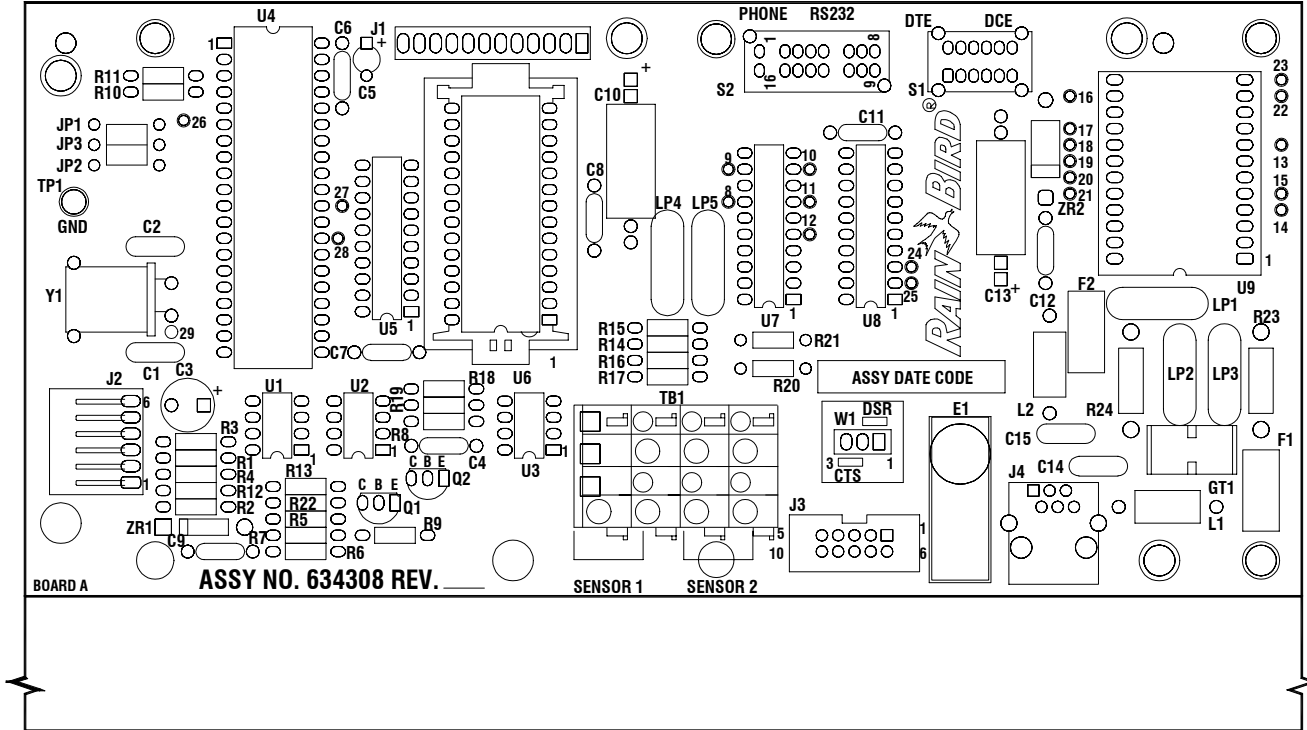
Ref.	Description	Qty.	12	16	24	32	40
<b>PWB ASSY TERMINAL, CONT.</b>							
L13-16	Inductor Ferrite Bead	4	-	650300-05	650300-05	650300-05	650300-05
L17-24	Inductor Ferrite Bead	8	-	-	650300-05	650300-05	650300-05
L25-32	Inductor Ferrite Bead	8	-	-	-	650300-05	650300-05
L33-40	Inductor Ferrite Bead	8	-	-	-	-	650300-05
-	Fuse 2.5Amp	1	(650431-28)	(650431-28)	(650431-28)	(650431-28)	(650431-28)
J3	Connector, DB15S 15 Pins	1	(650610-06)	(650610-06)	(650610-06)	(650610-06)	(650610-06)
J4	Connector, DB15S 15 Pins	1	-	(650610-06)	(650610-06)	(650610-06)	(650610-06)
J5	Connector, DB15S 15 Pins	1	-	-	-	(650610-06)	(650610-06)
J6	Connector, DB15S 15 Pins	1	-	-	-	-	(650610-06)
J3	Jack Socket Kit	1	(650620)	(650620)	(650620)	(650620)	(650620)
J4	Jack Socket Kit	1	-	(650620)	(650620)	(650620)	(650620)
J5	Jack Socket Kit	1	-	-	-	(650620)	(650620)
J6	Jack Socket Kit	1	-	-	-	-	(650620)
R1	Resistor, 2% 2W 0.1Ohms	1	(650766-01)	(650766-01)	(650766-01)	(650766-01)	(650766-01)
LP1-8							
LP41,42	Mov 20MM 47V, 2000A	10	650796	650796	650796	650796	650796
LP9-12	Mov 20MM 47V, 2000A	4	650796	650796	650796	650796	650796
LP13-16	Mov 20MM 47V, 2000A	4	-	650796	650796	650796	650796
LP17-24	Mov 20MM 47V, 2000A	8	-	-	650796	650796	650796
LP25-32	Mov 20MM 47V, 2000A	8	-	-	-	650796	650796
LP33-40	Mov 20MM 47V, 2000A	8	-	-	-	-	650796
J1	Header,Polzd.,.100Ctrs. 50Pins	1	(650872-50)	(650872-50)	(650872-50)	(650872-50)	(650872-50)
LP44	Mov 47V. 1000A	1	650875	650875	650875	650875	650875
C1-8 C41,42	Capacitor, Ceramic Axial .01uF,100V	10	(650882-01)	(650882-01)	(650882-01)	(650882-01)	(650882-01)
C9-12	Capacitor, Ceramic Axial .01uF,100V	4	(650882-01)	(650882-01)	(650882-01)	(650882-01)	(650882-01)
C13-16	Capacitor, Ceramic Axial .01uF,100V	4	-	(650882-01)	(650882-01)	(650882-01)	(650882-01)
C17-24	Capacitor, Ceramic Axial .01uF,100V	8	-	-	(650882-01)	(650882-01)	(650882-01)
C25-32	Capacitor, Ceramic Axial .01uF,100V	8	-	-	-	(650882-01)	(650882-01)
C33-40	Capacitor, Ceramic Axial .01uF,100V	8	-	-	-	-	(650882-01)
J2	Header,Polzd.,.156Ctrs. 2Pins	1	(650893-02)	(650893-02)	(650893-02)	(650893-02)	(650893-02)
J7	Header,Polzd.,.156Ctrs. 5Pins	1	(650893-05)	(650893-05)	(650893-05)	(650893-05)	(650893-05)
TB1,2	Terminal Blk. .300SPC 1Pos	16	(651000-01)	(651000-01)	(651000-01)	(651000-01)	(651000-01)
TB3	Terminal Blk. .300SPC 1Pos	8	(651000-01)	(651000-01)	(651000-01)	(651000-01)	(651000-01)
TB4	Terminal Blk. .300SPC 1Pos	8	-	-	(651000-01)	(651000-01)	(651000-01)
TB5	Terminal Blk. .300SPC 1Pos	8	-	-	-	(651000-01)	(651000-01)
TB6	Terminal Blk. .300SPC 1Pos	8	-	-	-	-	(651000-01)
Q1-8 Q41,42	Triac, 6Amps	10	651138	651138	651138	651138	651138
Q9-12	Triac, 6Amps	4	651138	651138	651138	651138	651138
Q13-16	Triac, 6Amps	4	-	651138	651138	651138	651138
Q17-24	Triac, 6Amps	8	-	-	651138	651138	651138
Q25-32	Triac, 6Amps	8	-	-	-	651138	651138
Q33-40	Triac, 6Amps	8	-	-	-	-	651138
LP43	Mov 50V, 2500A	1	(651272)	(651272)	(651272)	(651272)	(651272)

Note: Part Numbers enclosed in brackets ( ) are not available individually, but may be sold in assemblies or kits.



ESP12SITEP/ ESP16SITEP/ ESP24SITEP/ ESP32SITEP/ ESP40SITEP  
 (PLASTIC WALL MOUNT, 120 VOLT, 60 Hz)

PWB ASSY ESP-SITE INTERFACE & MODEM



Ref.	Description	Qty.	12	16	24	32	40
<b>PWB ASSY ESP-SITE INTERFACE &amp; MODEM</b>			(634308)	(634308)	(634308)	(634308)	(634308)
LP1-3	Mov 230Vac,4500A	3	(630386)	(630386)	(630386)	(630386)	(630386)
-	Label. Bar Code 39	1	(631356-01)	(631356-01)	(631356-01)	(631356-01)	(631356-01)
U6	PROM Carrier Assy	1	633323-03	633323-03	633323-03	633323-03	633323-03
-	Printed Wiring board Fabrication	1	(634309)	(634309)	(634309)	(634309)	(634309)
C1,2	Capacitor Ceramic,Disc,30pF,50V	2	(650012-15)	(650012-15)	(650012-15)	(650012-15)	(650012-15)
LP4,5	Mov 33V,500A	2	650015	650015	650015	650015	650015
ZR1	Diode Zener, 5.1V	1	(650038-70)	(650038-70)	(650038-70)	(650038-70)	(650038-70)
C13	Capacitor, Electrl,Axial 100uF,10V	1	(650044-05)	(650044-05)	(650044-05)	(650044-05)	(650044-05)
R1	Resistor,Carbon Film,1/4W 100Ohms	1	650079-49	650079-49	650079-49	650079-49	650079-49
R3,13	Resistor,Carbon Film,1/4W 270Ohms	2	(650079-59)	(650079-59)	(650079-59)	(650079-59)	(650079-59)
R14-17	Resistor,Carbon Film,1/4W 1KOhm	4	(650079-73)	(650079-73)	(650079-73)	(650079-73)	(650079-73)
R2	Resistor,Carbon Film,1/4W 1.5KOhms	1	(650079-77)	(650079-77)	(650079-77)	(650079-77)	(650079-77)
R4,20, R21	Resistor,Carbon Film,1/4W 2KOhms	3	(650079-80)	(650079-80)	(650079-80)	(650079-80)	(650079-80)
R6,8,9, 18,19,22	Resistor,Carbon Film, 1/4W 4.7KOhms	6	650079-89	650079-89	650079-89	650079-89	650079-89

Note: Part Numbers enclosed in brackets ( ) are not available individually, but may be sold in assemblies or kits.

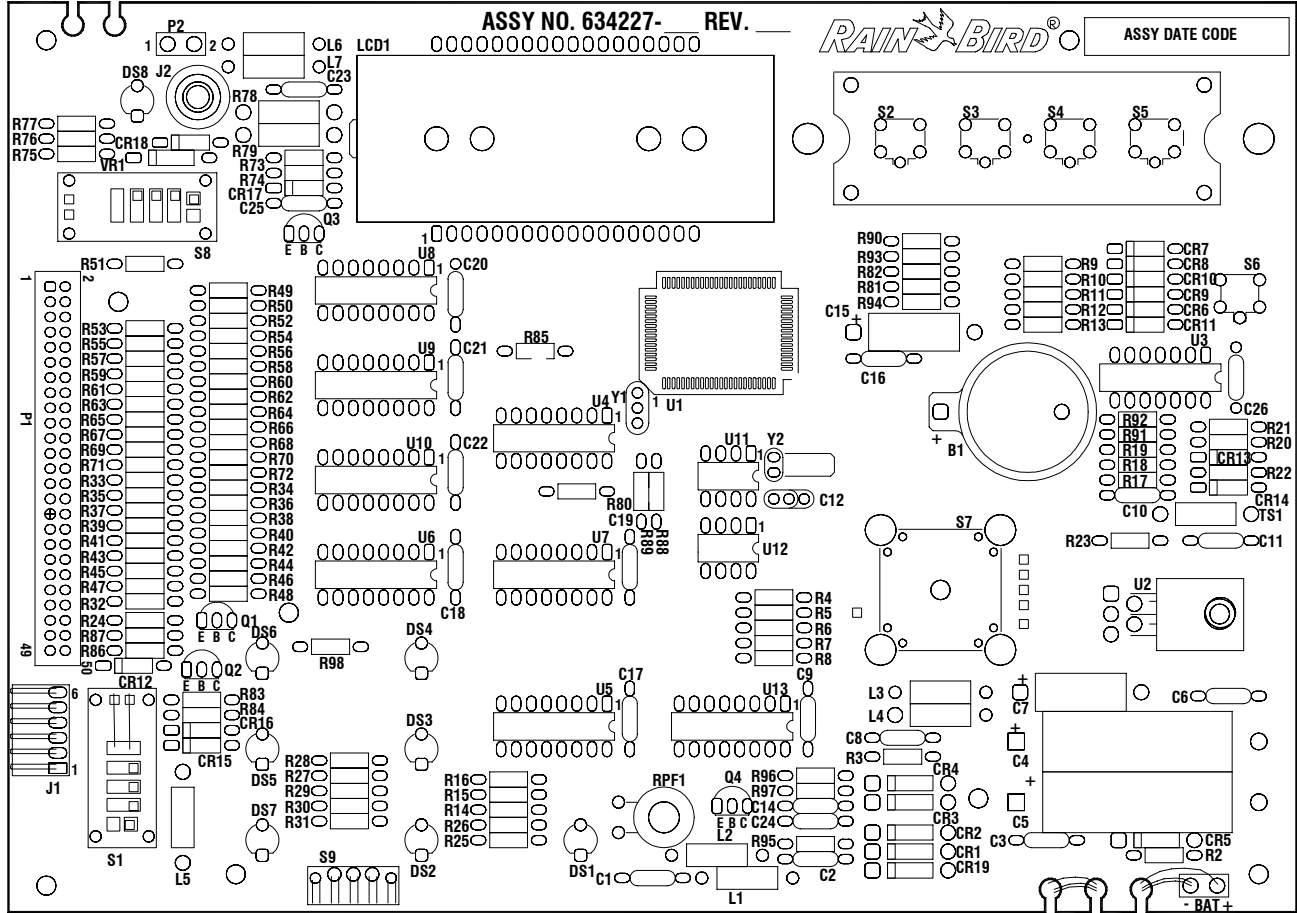
ESP12SITEP/ESP16SITEP/ESP24SITEP/ESP32SITEP/ESP40SITEP  
(PLASTIC WALL MOUNT, 120 VOLT, 60 Hz)

Ref.	Description	Qty.	12	16	24	32	40
<b>PWB ASSY ESP-SITE INTERFACE &amp; MODEM, CONT.</b>							
R12	Resistor, Carbon Film, 1/4W 10KOhms	1	(650079-97)	(650079-97)	(650079-97)	(650079-97)	(650079-97)
R5,7,10,R11	Resistor, Carbon Film, 1/4W 47K Ohms	4	(650080-14)	(650080-14)	(650080-14)	(650080-14)	(650080-14)
C10	Capacitor, Electrl, Axial 10uF, 16V	1	(650083-01)	(650083-01)	(650083-01)	(650083-01)	(650083-01)
C4, 12	Capacitor, Ceramic, Axial .01uF, 50V	2	650085-31	650085-31	650085-31	650085-31	650085-31
C6-9, 11	Capacitor, Ceramic Axial 0.1uF, 50V	5	(650085-55)	(650085-55)	(650085-55)	(650085-55)	(650085-55)
TP1	Test Point, PC Mount	1	(650336-01)	(650336-01)	(650336-01)	(650336-01)	(650336-01)
Q1,2	TransistormPNP	2	650369	650369	650369	650369	650369
W1	Plug, Shorting	1	(650417)	(650417)	(650417)	(650417)	(650417)
U1,2,3	IC, Opto-Coupler	3	650445	650445	650445	650445	650445
W1	Header, .100Ctrs 3Pins	1	(650454-03)	(650454-03)	(650454-03)	(650454-03)	(650454-03)
L1,2	Inductor Ferrite Bead Lead	2	(650509)	(650509)	(650509)	(650509)	(650509)
C14, 15	Capacitor, Ceramic, Radial .005uF, 1KV	2	(650516)	(650516)	(650516)	(650516)	(650516)
U6	Socket, PROM Carrier	1	650518-02	650518-02	650518-02	650518-02	650518-02
U8	IC, RS-232 Driver/Receiver	1	650559	650559	650559	650559	650559
C5	Capacitor, Tantalum, Radial 2.2uF, 25V	1	650583-03	650583-03	650583-03	650583-03	650583-03
C3	Capacitor, Tantalum, Radial 22uF, 25V	1	650583-09	650583-09	650583-09	650583-09	650583-09
S1	Switch, Slide, 4PDT	1	650609	650609	650609	650609	650609
U5	IC, Octal D-Type Latch	1	650611	650611	650611	650611	650611
Y1	Wire, 22Awg, Auto-Inserted .450Lead SP	.55	(650625-03)	(650625-03)	(650625-03)	(650625-03)	(650625-03)
ZR2	Transient Supresor	1	650658-01	650658-01	650658-01	650658-01	650658-01
Y1	Crystal, Quartz 11.059 MHz	1	650721	650721	650721	650721	650721
J3	Header, Low Profile 1- Pos	1	(650872-10)	(650872-10)	(650872-10)	(650872-10)	(650872-10)
TB1	Terminal Block, .300LD SP	4	(651000-01)	(651000-01)	(651000-01)	(651000-01)	(651000-01)
U7	IC, Noninverting Buffer	1	(651001)	(651001)	(651001)	(651001)	(651001)
U9	IC, Modem Module	1	(651002)	(651002)	(651002)	(651002)	(651002)
S2	Switch, Slide, 4P3T	1	(651003)	(651003)	(651003)	(651003)	(651003)
J2	Header, Polzd, Right Angle .098Ctrs	1	(651005-06)	(651005-06)	(651005-06)	(651005-06)	(651005-06)
U4	IC, Microcontroller	1	651031	651031	651031	651031	651031
J1	Board Spacerm .025" Sq.	1	(651308-11)	(651308-11)	(651308-11)	(651308-11)	(651308-11)
J4	Connector, Modular Jask, Low Prof.	1	(651317)	(651317)	(651317)	(651317)	(651317)
F1,2	Polyswitch, Series TR600	2	(651318)	(651318)	(651318)	(651318)	(651318)
R23,24	Resistor, Power metal Film	2	(651322)	(651322)	(651322)	(651322)	(651322)
GT1	Protector, Surge, Spark Gap	1	(651427)	(651427)	(651427)	(651427)	(651427)

Note: Part Numbers enclosed in brackets ( ) are not available individually, but may be sold in assemblies or kits.

ESP12SITEP/ ESP16SITEP/ ESP24SITEP/ ESP32SITEP/ ESP40SITEP  
 (PLASTIC WALL MOUNT, 120 VOLT, 60 Hz)

PWB ASSY ESP-MC ESC-1 CONTROLLER



Ref.	Description	Qty.	12	16	24	32	40
<b>PWB ASSY ESP-MC ESC-1 CONTROLLER</b>							
			(634227-08)	(634227-09)	(634227-10)	(634227-11)	(634227-12)
S7	Switch, Rotary	1	(630609)	(630609)	(630609)	(630609)	(630609)
S8	Switch, Slide	1	(630651)	(630651)	(630651)	(630651)	(630651)
-	Label, Bar Code 39	1	(631356-01)	(631356-01)	(631356-01)	(631356-01)	(631356-01)
LCD1	Spacer, LCD	1	(632046)	(632046)	(632046)	(632046)	(632046)
P2	Sensor Cable	1	(632048-01)	(632048-01)	(632048-01)	(632048-01)	(632048-01)
J2	Spring, Shield .70Long	1	(632898-01)	(632898-01)	(632898-01)	(632898-01)	(632898-01)
-	Spring Shield .44Long	1	(632898-02)	(632898-02)	(632898-02)	(632898-02)	(632898-02)
LCD1	Liquid Crystal Display	1	(633087)	(633087)	(633087)	(633087)	(633087)
U1	Microcomp., Toshiba,OTP	1	(633088)	(633088)	(633088)	(633088)	(633088)
P1	Ribbon Cable Assy.	1	(633090)	(633090)	(633090)	(633090)	(633090)
-	Printed Wiring Board	1	(634228)	(634228)	(634228)	(634228)	(634228)
C12	Capacitor, Ceramic radial 6pF,50V	1	(650012-04)	(650012-04)	(650012-04)	(650012-04)	(650012-04)

Note: Part Numbers enclosed in brackets ( ) are not available individually, but may be sold in assemblies or kits.

ESP12SITEP/ESP16SITEP/ESP24SITEP/ESP32SITEP/ESP40SITEP  
(PLASTIC WALL MOUNT, 120 VOLT, 60 Hz)

Ref.	Description	Qty.	12	16	24	32	40
<b>PWB ASSY ESP-MC ESC-1 CONTROLLER, CONT.</b>							
U2	Washer, Flat, Carbon Steel No.5	1	(650023-03)	(650023-03)	(650023-03)	(650023-03)	(650023-03)
CR6	Diode, Switching	1	650037-01	650037-01	650037-01	650037-01	650037-01
CR7	Diode, Switching	1	650037-01	-	650037-01	-	650037-01
CR8	Diode, Switching	1	-	650037-01	650037-01	-	-
CR9	Diode, Switching	1	-	-	-	650037-01	650037-01
CR11-18	Diode, Switching	8	650037-01	650037-01	650037-01	650037-01	650037-01
VR1	Diode, Zener, 500mW, 5.6V	1	(650038-71)	(650038-71)	(650038-71)	(650038-71)	(650038-71)
C7, C15	Capacitor, Electrol, Axial 47uF, 10V	2	(650044-03)	(650044-03)	(650044-03)	(650044-03)	(650044-03)
BAT	Battery Snap 9V	1	650075	650075	650075	650075	650075
CR1-5 CR19	Diode, Gen Purpose, 1Amp	6	650077-02	650077-02	650077-02	650077-02	650077-02
R23, 85	Resistor, Carbon Film, 1/4W, 10Ohm	2	(650079-25)	(650079-25)	(650079-25)	(650079-25)	(650079-25)
R24, 32, R98, R49-56	Resistor, Carbon Film, 1/4W, 150Ohms	11	(650079-53)	(650079-53)	(650079-53)	(650079-53)	(650079-53)
R57-60	Resistor, Carbon Film, 1/4W, 150Ohms	4	(650079-53)	(650079-53)	(650079-53)	(650079-53)	(650079-53)
R61-64	Resistor, Carbon Film, 1/4W, 150Ohms	4	-	(650079-53)	(650079-53)	(650079-53)	(650079-53)
R65-72	Resistor, Carbon Film, 1/4W, 150Ohms	8	-	-	(650079-53)	(650079-53)	(650079-53)
R33-40	Resistor, Carbon Film, 1/4W, 150Ohms	8	-	-	-	(650079-53)	(650079-53)
R41-48	Resistor, Carbon Film, 1/4W, 150Ohms	8	-	-	-	-	(650079-53)
R25-31	Resistor, Carbon Film, 1/4W, 470Ohms	7	(650079-65)	(650079-65)	(650079-65)	(650079-65)	(650079-65)
R17, 95	Resistor, Carbon Film, 1/4W, 1KOhm	2	(650079-73)	(650079-73)	(650079-73)	(650079-73)	(650079-73)
R76	Resistor, Carbon Film, 1/4W, 2KOhms	1	(650079-80)	(650079-80)	(650079-80)	(650079-80)	(650079-80)
R2	Resistor, Carbon Film, 1/4W, 3.3KOhm	1	(650079-85)	(650079-85)	(650079-85)	(650079-85)	(650079-85)
R20-22, R84, R87-90	Resistor, Carbon Film, 1/4W, 4.7KOhm	8	650079-89	650079-89	650079-89	650079-89	650079-89
R92	Resistor, Carbon Film, 1/4W, 8.2KOhm	1	(650079-95)	(650079-95)	(650079-95)	(650079-95)	(650079-95)
R19, 91	Resistor, Carbon Film, 1/4W, 10KOhm	2	(650079-97)	(650079-97)	(650079-97)	(650079-97)	(650079-97)
R18, 80 R83, 86 R4-16, R73, 81, R82, 93, R94	Resistor, Carbon Film, 1/4W, 47KOhm	4	(650080-14)	(650080-14)	(650080-14)	(650080-14)	(650080-14)
R3, 74, R75, 96, R97	Resistor, Carbon Film, 1/4W, 100KOh	18	(650080-22)	(650080-22)	(650080-22)	(650080-22)	(650080-22)
C3, 8-10, C14, 16, C17, 20, C24	Capacitor, Ceramic Axial .1uF, 50V	9	(650085-55)	(650085-55)	(650085-55)	(650085-55)	(650085-55)

Note: Part Numbers enclosed in brackets ( ) are not available individually, but may be sold in assemblies or kits.

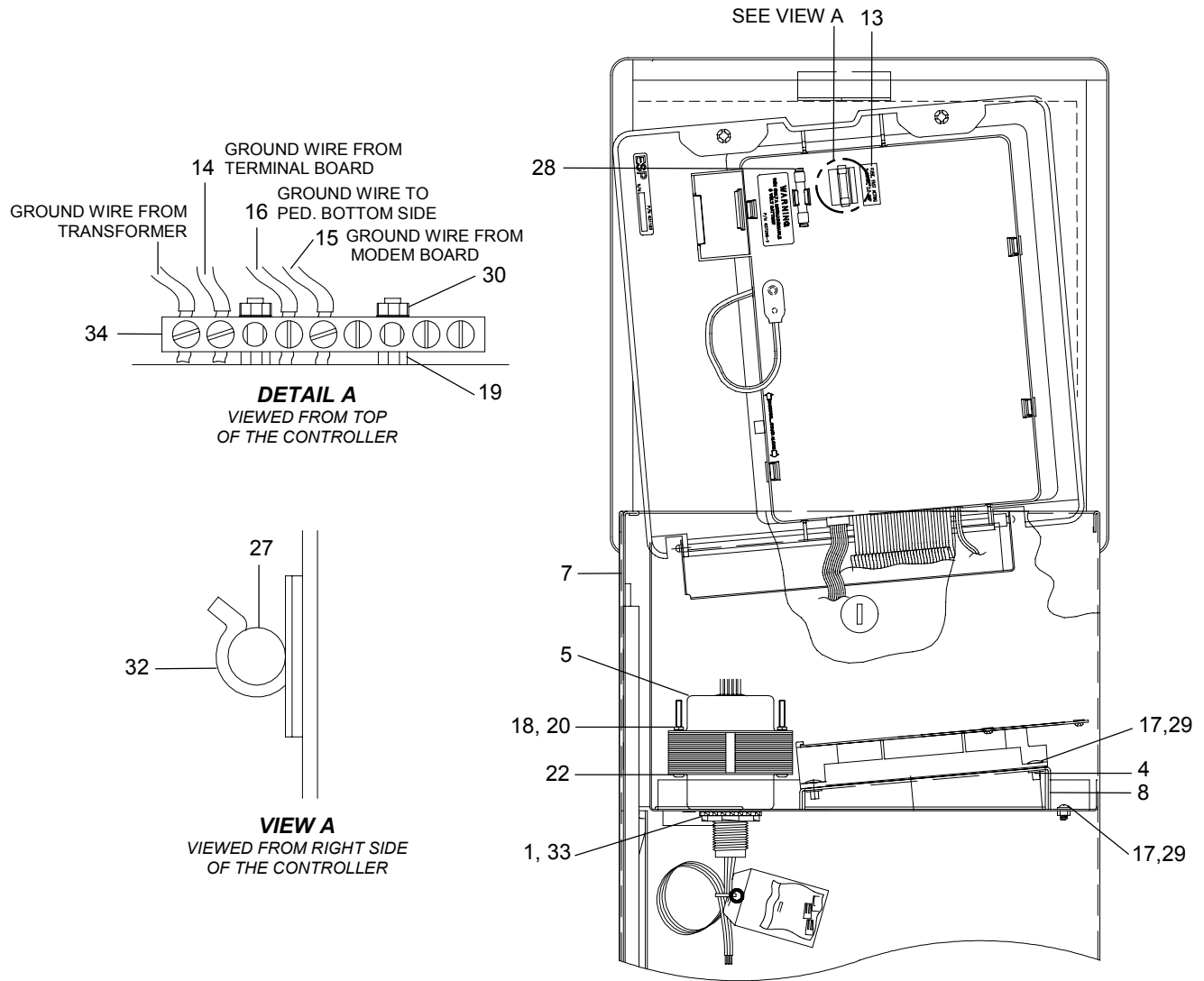
ESP12SITEP/ESP16SITEP/ESP24SITEP/ESP32SITEP/ESP40SITEP  
(PLASTIC WALL MOUNT, 120 VOLT, 60 Hz)

Ref.	Description	Qty.	12	16	24	32	40
<b>PWB ASSY ESP-MC ESC-1 CONTROLLER, CONT.</b>							
C21	Capacitor,Ceramic Axial .1uF,50V	1	(650085-55)	(650085-55)	(650085-55)	(650085-55)	(650085-55)
C22	Capacitor,Ceramic Axial .1uF,50V	1	-	-	(650085-55)	(650085-55)	(650085-55)
C18	Capacitor,Ceramic Axial .1uF,50V	1	-	-	-	(650085-55)	(650085-55)
C19	Capacitor,Ceramic Axial .1uF,50V	1	-	-	-	-	(650085-55)
U2	Rivet,Blind Dome HD .125 Dia	1	(650139-05)	(650139-05)	(650139-05)	(650139-05)	(650139-05)
R78,79	Resistor,Carbon Film,1/2W,1KOhm	2	(650202-73)	(650202-73)	(650202-73)	(650202-73)	(650202-73)
L1-7	Inductor, Ferrite Bead	7	650300-05	650300-05	650300-05	650300-05	650300-05
U3	I.C. Quad OP Amp	1	650358	650358	650358	650358	650358
Q3,4	Transistor, NPN, 625mW	2	650367	650367	650367	650367	650367
Q1,2	Transistor, PNP	2	650369	650369	650369	650369	650369
Y2	Crystal, Quartz 32.768KHz	1	(650484)	(650484)	(650484)	(650484)	(650484)
-	Lubricant,Switch	.001	(650588)	(650588)	(650588)	(650588)	(650588)
TS1	Transient Suppressor Bidirection 6.8V	1	(650595-01)	(650595-01)	(650595-01)	(650595-01)	(650595-01)
C5	Capacitor,Electrol,Axial 330uF,25V	1	(650624)	(650624)	(650624)	(650624)	(650624)
U4	3-8Line Decoder	1	650699	650699	650699	650699	650699
S2-6	Switch,Pushbutton	5	(650748)	(650748)	(650748)	(650748)	(650748)
C1,2,11, C23,25	Capacitor,Ceramic Axial .01uF,100V	5	(650882-01)	(650882-01)	(650882-01)	(650882-01)	(650882-01)
C6	Capacitor,NPO,Axial 100pF,100V	1	(650883-13)	(650883-13)	(650883-13)	(650883-13)	(650883-13)
C26	Capacitor,NPO,Axial 220pF,100V	1	(650883-17)	(650883-17)	(650883-17)	(650883-17)	(650883-17)
U5,8	8Bit Adressable Latch	2	650889	650889	650889	650889	650889
U9	8Bit Adressable Latch	1	650889	650889	650889	650889	650889
U10	8Bit Adressable Latch	1	-	-	650889	650889	650889
U6	8Bit Adressable Latch	1	-	-	-	650889	650889
U7	8Bit Adressable Latch	1	-	-	-	-	650889
DS1-8	Led,Red,.200Ctrs.	8	650910	650910	650910	650910	650910
U2	Regulator,Low Dropout	1	(650962)	(650962)	(650962)	(650962)	(650962)
J2	Eyelet,Spring	1	(650985)	(650985)	(650985)	(650985)	(650985)
J1	Header,Right Angle 100Ctrs 6Pins	1	(651005-06)	(651005-06)	(651005-06)	(651005-06)	(651005-06)
B1	Battery, Lithium	1	(651009)	(651009)	(651009)	(651009)	(651009)
B1	Holder, Battery Coin	1	(651010)	(651010)	(651010)	(651010)	(651010)
U11	I.C.,Real Time Clock	1	(651011)	(651011)	(651011)	(651011)	(651011)
U12	I.C., EEPROM-4K Byte,Serial	1	(651012)	(651012)	(651012)	(651012)	(651012)
Y1	Resonator,Ceramic,8.0MHz	1	(651013)	(651013)	(651013)	(651013)	(651013)
U13	I.C., 8 Bit Input Mux	1	(651014)	(651014)	(651014)	(651014)	(651014)
C4	Capacitor,Electrol,Axial 1000uF,25V	1	(651054-12)	(651054-12)	(651054-12)	(651054-12)	(651054-12)
RPF1	Polyswitch, RXE 60V, .65A	1	(651055-08)	(651055-08)	(651055-08)	(651055-08)	(651055-08)
S9	Switch, Slide	1	(651292)	(651292)	(651292)	(651292)	(651292)

Note: Part Numbers enclosed in brackets ( ) are not available individually, but may be sold in assemblies or kits.

ESP12SITES/ ESP16SITES/ ESP24SITES/ ESP32SITES/ ESP40SITES  
 (STAINLESS STEEL PEDESTAL, 120 VOLT, 60 Hz)

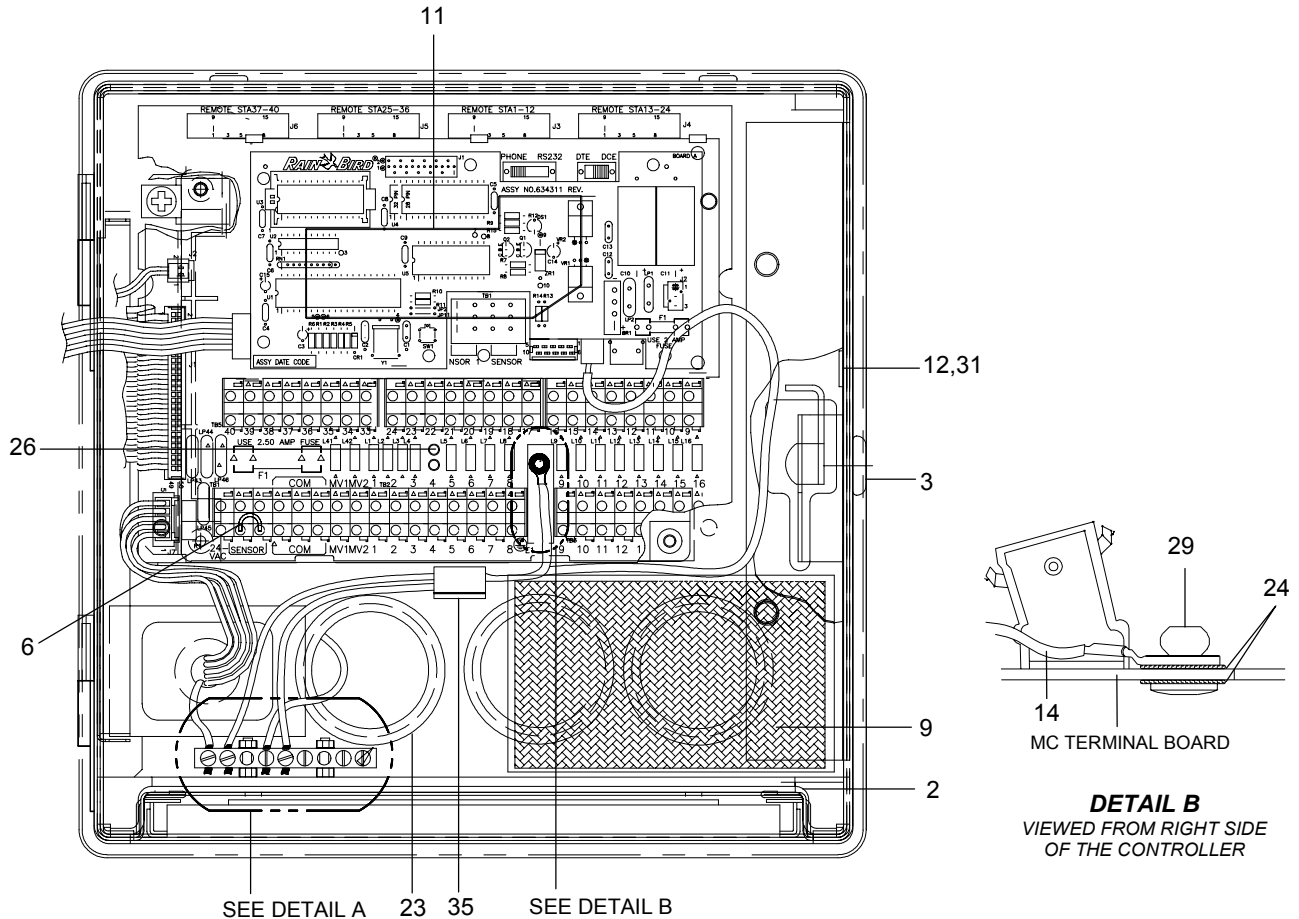
**CONTROLLER ASSEMBLY**



Ref.	Description	Qty.	12	16	24	32	40
<b>CONTROLLER ASSEMBLY</b>			(634409-02)	(634409-03)	(634409-04)	(634409-05)	(634409-06)
1	Locknut Conduit	1	(628013)	(628013)	(628013)	(628013)	(628013)
2	Panel Access Ped Top Opening	1	629466	629466	629466	629466	629466
3	Lock, Bent Cam	1	630336-02	630336-02	630336-02	630336-02	630336-02
4	Spacer, Terminal Board-Esp C	1	(631919)	(631919)	(631919)	(631919)	(631919)
-	Cable Assy, 2Wire/Link Intfc-MC	1	(633132)	(633132)	(633132)	(633132)	(633132)
5	Xfmr Assy, Link, 120V-Esp-Mc	1	633165-01	633165-01	633165-01	633165-01	633165-01
6	Sensor Jumper Wire-Esp-Lx+	1	(633442)	(633442)	(633442)	(633442)	(633442)
7	Ped, Ss, Top Opening-Esp-Sat	1	(633477)	(633477)	(633477)	(633477)	(633477)
8	Bracket, Term Mntng-Esp-Sat-SS	1	(633485)	(633485)	(633485)	(633485)	(633485)

Note: Part Numbers enclosed in brackets ( ) are not available individually, but may be sold in assemblies or kits.

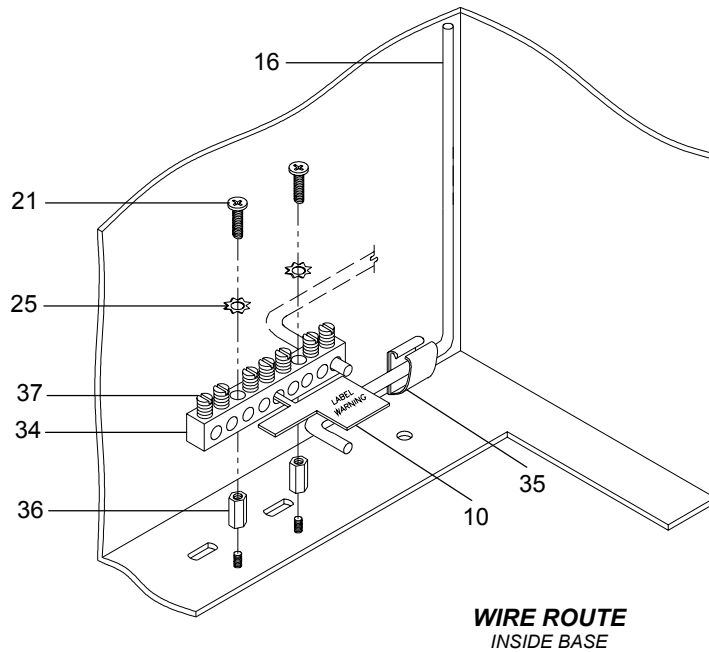
ESP12SITES/ ESP16SITES/ ESP24SITES/ ESP32SITES/ ESP40SITES  
(STAINLESS STEEL PEDESTAL, 120 VOLT, 60 Hz)



Ref.	Description	Qty.	12	16	24	32	40
<b>CONTROLLER ASSEMBLY, CONT.</b>							
9	Box Parts SS Ped-Esp-Sat	1	(633740)	(633740)	(633740)	(633740)	(633740)
-	Foam,Door Wedge,SS Ped	1	(633743)	(633743)	(633743)	(633743)	(633743)
10	Label Warning Grounding Esp-Mc	1	(634502)	(634502)	(634502)	(634502)	(634502)
11	PWB Foam Esp-Site	1	(634532)	(634532)	(634532)	(634532)	(634532)
12	Label, Warning Corrosion Inhibitor	1	(634558)	(634558)	(634558)	(634558)	(634558)
13	Label, Fuse 2.0 Amp.	1	(634616)	(634616)	(634616)	(634616)	(634616)
14	Ground Wire Assy 12 Awg (11)	1	(634943-11)	(634943-11)	(634943-11)	(634943-11)	(634943-11)
15	Ground Wire Assy 12 Awg (19)	1	(634943-19)	(634943-19)	(634943-19)	(634943-19)	(634943-19)
16	Ground Wire Assy 12 Awg (48)	1	(634943-48)	(634943-48)	(634943-48)	(634943-48)	(634943-48)
-	Washer, Flat #8 .032	4	(650023-10)	(650023-10)	(650023-10)	(650023-10)	(650023-10)
17	Washer, Flat #11 .032	8	(650023-13)	(650023-13)	(650023-13)	(650023-13)	(650023-13)
18	Washer, Ksdr, #8 .040, Cres	2	(650029-04)	(650029-04)	(650029-04)	(650029-04)	(650029-04)
19	Nut, Pl,Hex, #8-32,Cres,Psvtd	2	(650033-04)	(650033-04)	(650033-04)	(650033-04)	(650033-04)

Note: Part Numbers enclosed in brackets ( ) are not available individually, but may be sold in assemblies or kits.

ESP12SITES/ ESP16SITES/ ESP24SITES/ ESP32SITES/ ESP40SITES  
 (STAINLESS STEEL PEDESTAL, 120 VOLT, 60 Hz)



**WIRE ROUTE**  
INSIDE BASE

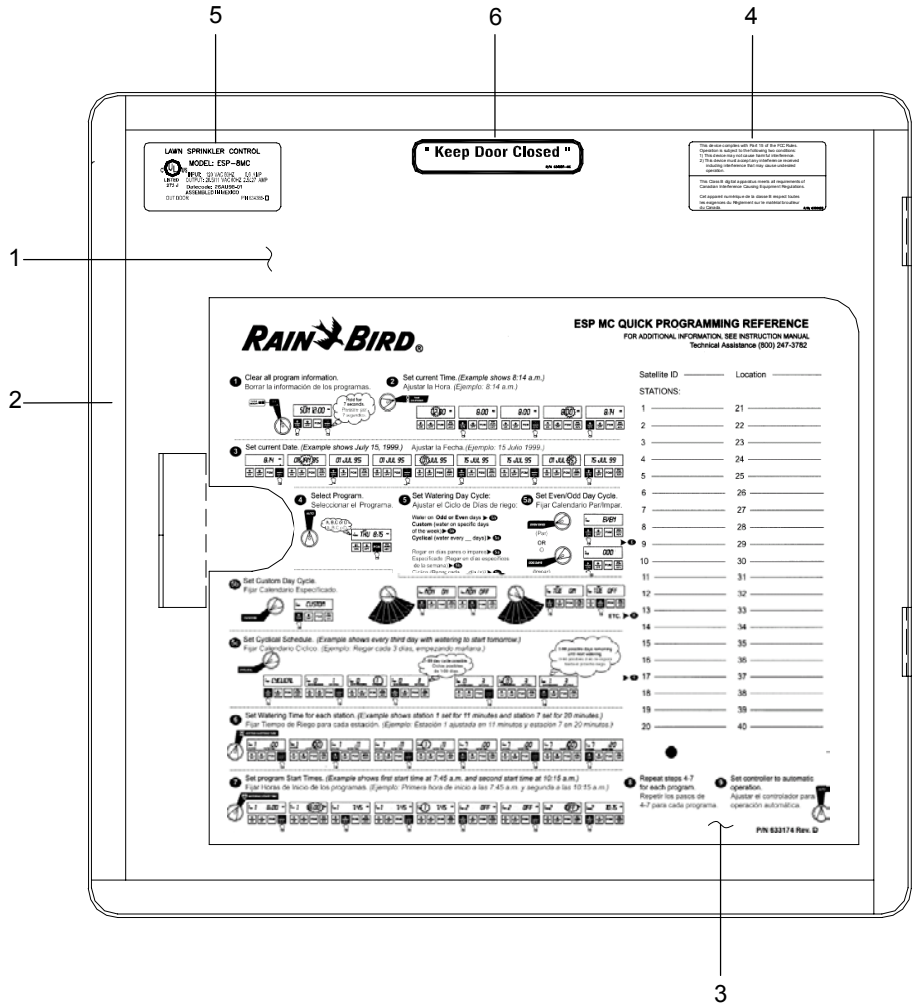
Ref.	Description	Qty.	12	16	24	32	40
<b>CONTROLLER ASSEMBLY, CONT.</b>							
20	Nut, Hex #8	2	(650034-04)	(650034-04)	(650034-04)	(650034-04)	(650034-04)
21	Screw 8-32 .750 Pn Hd	2	(650106-47)	(650106-47)	(650106-47)	(650106-47)	(650106-47)
22	Screw 8-32 x 3 Pn Hd	2	(650106-57)	(650106-57)	(650106-57)	(650106-57)	(650106-57)
-	Cable Tie, Nylon 7/8 Bundle	1	650131	650131	650131	650131	650131
23	Bushing Snap Nylon	3	(650152-53)	(650152-53)	(650152-53)	(650152-53)	(650152-53)
24	Washer Lock, #10, Ext-tooth, Z-Pltd	4	(650162-04)	(650162-04)	(650162-04)	(650162-04)	(650162-04)
25	Washer #8 32 x 5/16	2	(650163-03)	(650163-03)	(650163-03)	(650163-03)	(650163-03)
26	Screw Phillips Pnh Hi-Lo 7-19x1/2	3	(650183-63)	(650183-63)	(650183-63)	(650183-63)	(650183-63)
27	Fuse 5x20Mm 2Amps	1	(650307-03)	(650307-03)	(650307-03)	(650307-03)	(650307-03)
28	Fuse, Slowblow, 250V, 2-1/2 Amp	1	(650431-28)	(650431-28)	(650431-28)	(650431-28)	(650431-28)
29	Rivet, Blind 0.19	10	(650434-13)	(650434-13)	(650434-13)	(650434-13)	(650434-13)
-	Plug, Hole .250, Nylon	1	(650485-03)	(650485-03)	(650485-03)	(650485-03)	(650485-03)
-	Plug, Hole .375, Nylon	1	(650485-07)	(650485-07)	(650485-07)	(650485-07)	(650485-07)
-	Locknut Conduit	2	(650498)	(650498)	(650498)	(650498)	(650498)
30	Nut, #8-32 Hex W/Star Washer	2	(650634-04)	(650634-04)	(650634-04)	(650634-04)	(650634-04)
-	Spacer, Circuit Board, Edge Hold.	6	(650912-05)	(650912-05)	(650912-05)	(650912-05)	(650912-05)
-	Spacer, Circuit Board, Edge Hold	6	(650912-10)	(650912-10)	(650912-10)	(650912-10)	(650912-10)
31	Impregnated Foam Corrosion Inhib	1	(651331)	(651331)	(651331)	(651331)	(651331)
32	Holder Fuse	1	(651384)	(651384)	(651384)	(651384)	(651384)
33	Lock Washer, External Tooth	1	(651389)	(651389)	(651389)	(651389)	(651389)
34	Bar Bus Grounding	2	(651440)	(651440)	(651440)	(651440)	(651440)
35	Wire Clip With Adhesive	6	(651446-02)	(651446-02)	(651446-02)	(651446-02)	(651446-02)
36	Aluminum Hex Standoff	2	(651500-09)	(651500-09)	(651500-09)	(651500-09)	(651500-09)
37	Slotted Set Screw 1/4-28x.500	7	(651510)	(651510)	(651510)	(651510)	(651510)

Note: Part Numbers enclosed in brackets ( ) are not available individually, but may be sold in assemblies or kits.



ESP12SITES/ ESP16SITES/ ESP24SITES/ ESP32SITES/ ESP40SITES  
(STAINLESS STEEL PEDESTAL, 120 VOLT, 60 Hz)

DOOR ASSEMBLY

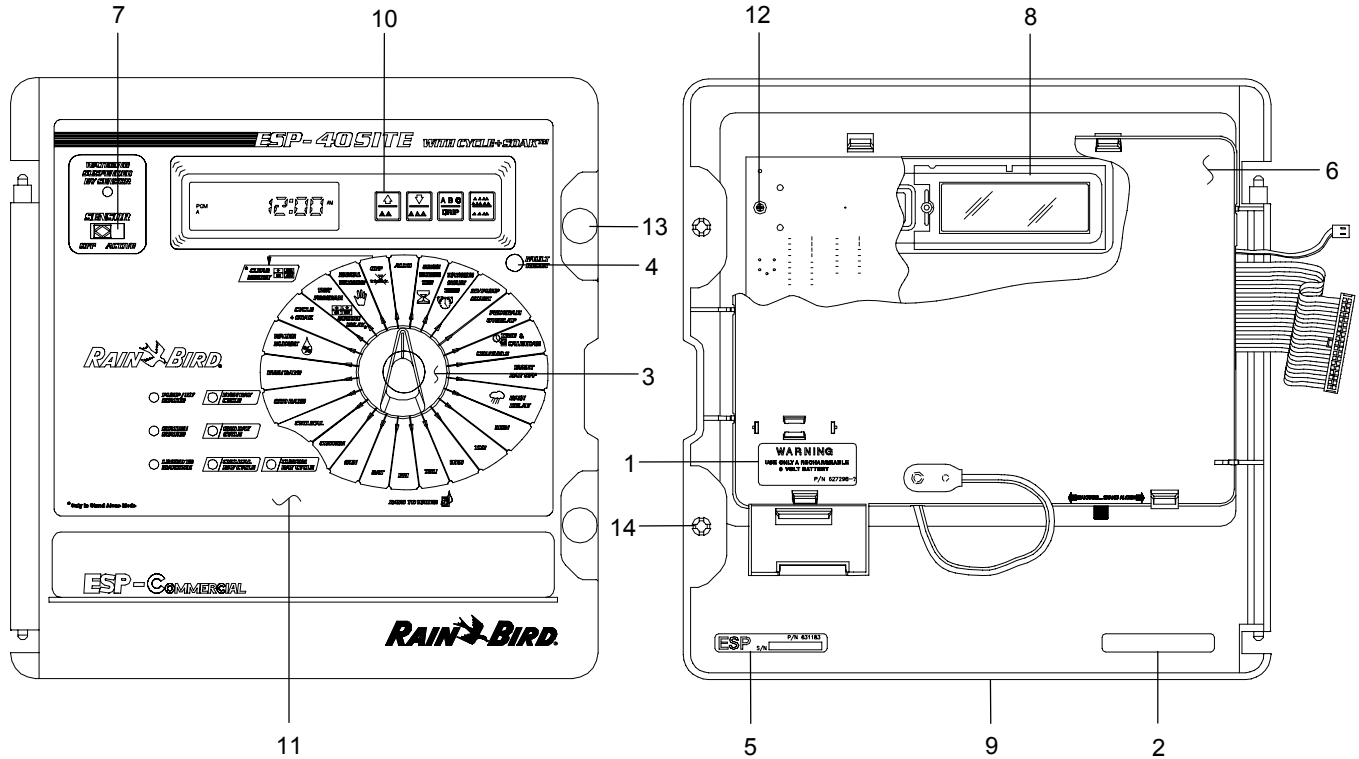


Ref.	Description	Qty.	12	16	24	32	40
<b>DOOR ASSEMBLY</b>			(634429-01)	(634429-01)	(634429-01)	(634429-01)	(634429-01)
-	Door Assy Pedestal	1	(629463)	(629463)	(629463)	(629463)	(629463)
1	Door Pedestal	1	(639465)	(639465)	(639465)	(639465)	(639465)
2	Gasket Foam S/S Ped 4 Per	4	(629499)	(629499)	(629499)	(629499)	(629499)
3	Label/Envelope-Esp-Mc	1	(633174)	(633174)	(633174)	(633174)	(633174)
4	Label, Fcc Compliance, E-Class	1	(633662)	(633662)	(633662)	(633662)	(633662)
5	Label, Rating	1	(634385-13)	(634385-13)	(634385-13)	(634385-13)	(634385-13)
6	Label, Keep Door Closed Esp-Mc	1	(634501)	(634501)	(634501)	(634501)	(634501)

Note: Part Numbers enclosed in brackets ( ) are not available individually, but may be sold in assemblies or kits.

ESP12SITES/ ESP16SITES/ ESP24SITES/ ESP32SITES/ ESP40SITES  
 (STAINLESS STEEL PEDESTAL, 120 VOLT, 60 Hz)

FRONT PANEL ASSEMBLY

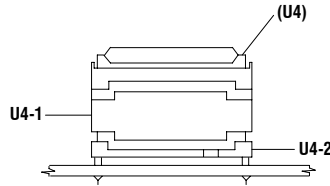
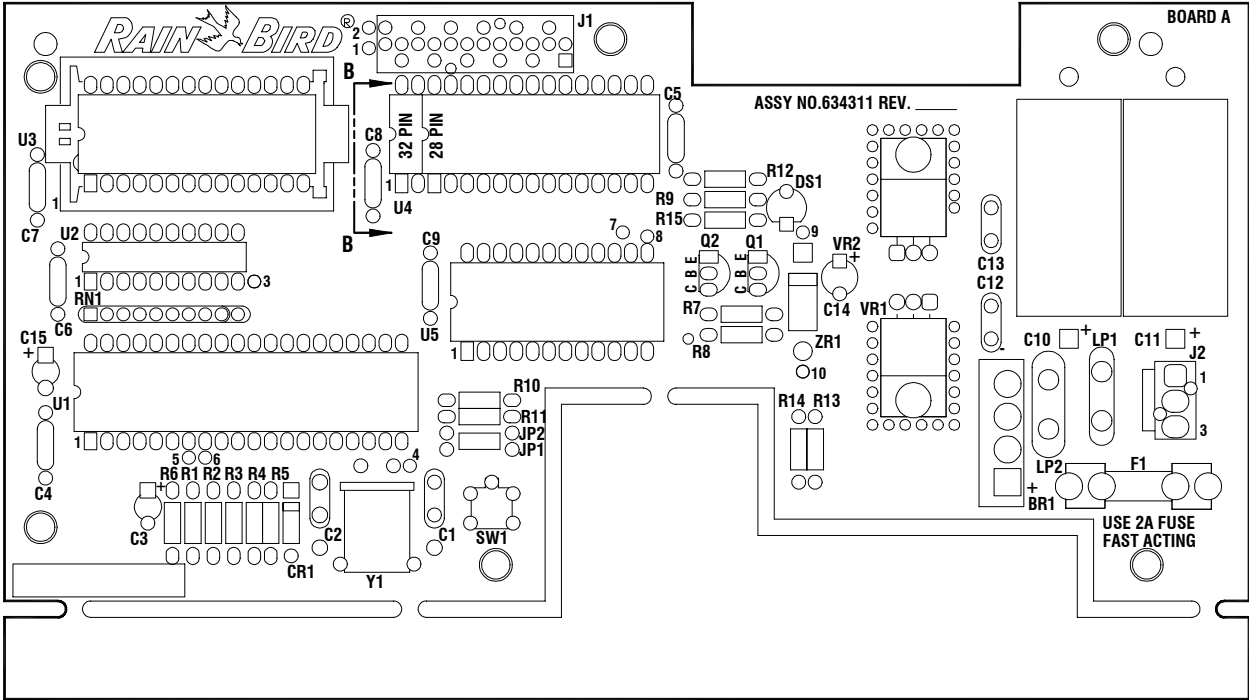


Ref.	Description	Qty.	12	16	24	32	40
<b>FRONT PANEL ASSEMBLY</b>			(634402-02)	(634402-03)	(634402-04)	(634402-05)	(634402-06)
1	Label Warning Cic 8/12	1	(627298)	(627298)	(627298)	(627298)	(627298)
2	Label Date Code	1	(627867)	(627867)	(627867)	(627867)	(627867)
3	Funct Select Knob Assy, Gray	1	630946	630946	630946	630946	630946
-	Esp Function Selec Knob, Gray	1	(630947)	(630947)	(630947)	(630947)	(630947)
-	Ring Compression	1	(650505-06)	(650505-06)	(650505-06)	(650505-06)	(650505-06)
4	Button, Tm Pb Switch	1	(631136)	(631136)	(631136)	(631136)	(631136)
5	Label, Serial, Esp	1	(631183)	(631183)	(631183)	(631183)	(631183)
6	Cover, Pwb	1	(631920)	(631920)	(631920)	(631920)	(631920)
7	Switch, Actuator-Paragon	1	(632510)	(632510)	(632510)	(632510)	(632510)
8	Lens, LCD	1	632700	632700	632700	632700	632700
9	Fp/shield Assy-	1	(632906)	(632906)	(632906)	(632906)	(632906)
-	Front Panel Esp-Mc	1	(631918)	(631918)	(631918)	(631918)	(631918)
-	Shield, Front Panel-Esp-C	1	(632897)	(632897)	(632897)	(632897)	(632897)
10	Keypad, Silicone	1	(632908)	(632908)	(632908)	(632908)	(632908)
11	Overlay Front Panel Esp-Site	1	(634401-02)	(634401-03)	(634401-04)	(634401-05)	(634401-06)
12	Screw, 4-24 X 5/16 Hi-Lo W/Wshr	5	(650563-23)	(650563-23)	(650563-23)	(650563-23)	(650563-23)
13	Lock, Plunger	2	(650927-02)	(650927-02)	(650927-02)	(650927-02)	(650927-02)
14	Lock, Grommet	2	(650928-02)	(650928-02)	(650928-02)	(650928-02)	(650928-02)

Note: Part Numbers enclosed in brackets ( ) are not available individually, but may be sold in assemblies or kits.

ESP12SITES/ ESP16SITES/ ESP24SITES/ ESP32SITES/ ESP40SITES  
 (STAINLESS STEEL PEDESTAL, 120 VOLT, 60 Hz)

PWB ASSY ESP-SITE CONTROL UNIT



SECTION B-B

Ref.	Description	Qty.	12	16	24	32	40
	<b>PWB ASSY ESP-SITE CONTROL UNIT</b>		(634311)	(634311)	(634311)	(634311)	(634311)
-	Label, Bar Code 39	1	(631356-01)	(631356-01)	(631356-01)	(631356-01)	(631356-01)
U4	IC, SRAM, 128K x 8, CMOS	1	632150	632150	632150	632150	632150
U4-1	IC, Clock/Battery Socket	1	632151	632151	632151	632151	632151
U3	IC, Prom Assy	1	(633614-57)	(633614-57)	(633614-57)	(633614-57)	(633614-57)
-	Printed Wiring Board	1	(634312)	(634312)	(634312)	(634312)	(634312)
C1,2	Capacitor, Ceramic, Disc 30pF, 50V	2	(650012-15)	(650012-15)	(650012-15)	(650012-15)	(650012-15)
C12,13	Capacitor, ceramic, Disc 0.1uF, 500V	2	650013-45	650013-45	650013-45	650013-45	650013-45
LP1,2	Mov 33V, 500A	2	650015	650015	650015	650015	650015

Note: Part Numbers enclosed in brackets ( ) are not available individually, but may be sold in assemblies or kits.

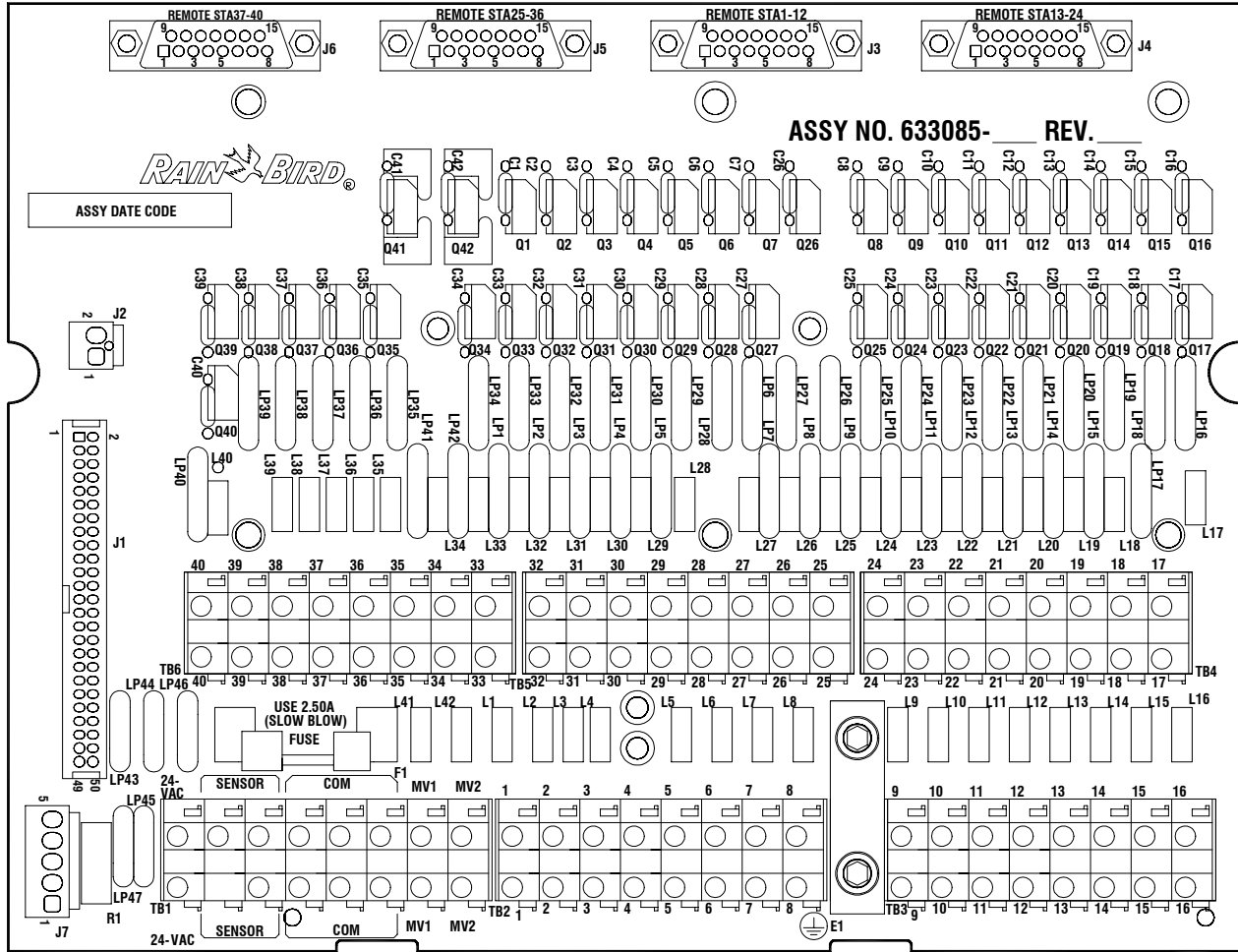
ESP12SITES/ ESP16SITES/ ESP24SITES/ ESP32SITES/ ESP40SITES  
(STAINLESS STEEL PEDESTAL, 120 VOLT, 60 Hz)

Ref.	Description	Qty.	12	16	24	32	40
<b>PWB ASSY ESP-SITE CONTROL UNIT, CONT.</b>							
CR1	Diode	1	650037-01	650037-01	650037-01	650037-01	650037-01
R9	Resistor, Carbon Film, 1/4W, 1K Ohms	1	(650079-73)	(650079-73)	(650079-73)	(650079-73)	(650079-73)
R1-4, 6-8, 10, 11, 15	Resistor, carbon Film, 1/4W, 10K Ohms	10	(650079-97)	(650079-97)	(650079-97)	(650079-97)	(650079-97)
R5, 12, R13, 14	Resistor, carbon Film, 1/4W, 100K Ohms	4	(650080-22)	(650080-22)	(650080-22)	(650080-22)	(650080-22)
Q1, 2	Transistor, NPN	2	650084	650084	650084	650084	650084
C4-9	Capacitor, ceramic, Axial 0.1uF, 50V	6	(650085-55)	(650085-55)	(650085-55)	(650085-55)	(650085-55)
-	Grease	.01	(650101)	(650101)	(650101)	(650101)	(650101)
-	Rivet, Blind, Dome-Head .125Dia	2	(650139-05)	(650139-05)	(650139-05)	(650139-05)	(650139-05)
F1	Fuse, Mini, .197 Dia	1	(650307-03)	(650307-03)	(650307-03)	(650307-03)	(650307-03)
F1	Minifuse, Clips, .197Dia	2	(650308)	(650308)	(650308)	(650308)	(650308)
VR2	Voltage Regulator, 7805, +5V	1	650332	650332	650332	650332	650332
Y1	Crystal, Quartz 3.600Mhz	1	650334	650334	650334	650334	650334
U3	Socket, PROM Carrier	1	650518-02	650518-02	650518-02	650518-02	650518-02
BR1	Bridge, Rectifier 4A, 200V	1	650581-03	650581-03	650581-03	650581-03	650581-03
C3, 15	Capacitor, Tantalum, Radial 10uF, 25V	2	(650583-07)	(650583-07)	(650583-07)	(650583-07)	(650583-07)
C14	Capacitor Tantalum, Radial	1	650583-09	650583-09	650583-09	650583-09	650583-09
U2	IC, Octal D-Type Latch	1	650611	650611	650611	650611	650611
U4-2	Socket, Dip, Low-Profile 32Pins	1	(650622-11)	(650622-11)	(650622-11)	(650622-11)	(650622-11)
Y1	Wire, 22awg, Auto-Inserted .450Lead	2	(650625-03)	(650625-03)	(650625-03)	(650625-03)	(650625-03)
ZR1	Transient Suppressor	1	650658-01	650658-01	650658-01	650658-01	650658-01
J2	Header, St. Sq., Pin, 3Pos	1	(650893-03)	(650893-03)	(650893-03)	(650893-03)	(650893-03)
DS1	Led, Clear red, Superbright	1	650910	650910	650910	650910	650910
C10, 11	Capacitor, Electrl, Axial, 3300uF, 25V	2	(650954)	(650954)	(650954)	(650954)	(650954)
U1	IC, Microcontroller	1	651031	651031	651031	651031	651031
SW1	Switch, Tact Push	1	(651109)	(651109)	(651109)	(651109)	(651109)
U5	IC, I/O Expander	1	(651294)	(651294)	(651294)	(651294)	(651294)
J1	Box Connector Strip 12Pos	1	(651309-11)	(651309-11)	(651309-11)	(651309-11)	(651309-11)
RN1	Resistor, Network, 9Pins 10K Ohms	1	(651310)	(651310)	(651310)	(651310)	(651310)
VR1	Voltage Regulator, 7812 +12V, 1A	1	(651352)	(651352)	(651352)	(651352)	(651352)

Note: Part Numbers enclosed in brackets ( ) are not available individually, but may be sold in assemblies or kits.

ESP12SITES/ ESP16SITES/ ESP24SITES/ ESP32SITES/ ESP40SITES  
(STAINLESS STEEL PEDESTAL, 120 VOLT, 60 Hz)

PWB ASSY TERMINAL



Ref.	Description	Qty.	12	16	24	32	40
<b>PWB ASSY TERMINAL</b>							
LP45,47	Mov 56V, 1000A	2	624624	624624	624624	624624	624624
LP46	Mov 56V, 1000A	1	624624	624624	624624	624624	624624
-	Label bar code 39	1	(631356-01)	(631356-01)	(631356-01)	(631356-01)	(631356-01)
-	Printed Wiring Board	1	(633086)	(633086)	(633086)	(633086)	(633086)
-	Fuse clip	2	(650098)	(650098)	(650098)	(650098)	(650098)
-	Solder	.01	(650160)	(650160)	(650160)	(650160)	(650160)
L41,42 L1-8	Inductor Ferrite Bead	10	650300-05	650300-05	650300-05	650300-05	650300-05
L9-12	Inductor Ferrite Bead	4	650300-05	650300-05	650300-05	650300-05	650300-05
L13-16	Inductor Ferrite Bead	4	-	650300-05	650300-05	650300-05	650300-05
L9-12	Inductor Ferrite Bead	4	650300-05	650300-05	650300-05	650300-05	650300-05

Note: Part Numbers enclosed in brackets ( ) are not available individually, but may be sold in assemblies or kits.

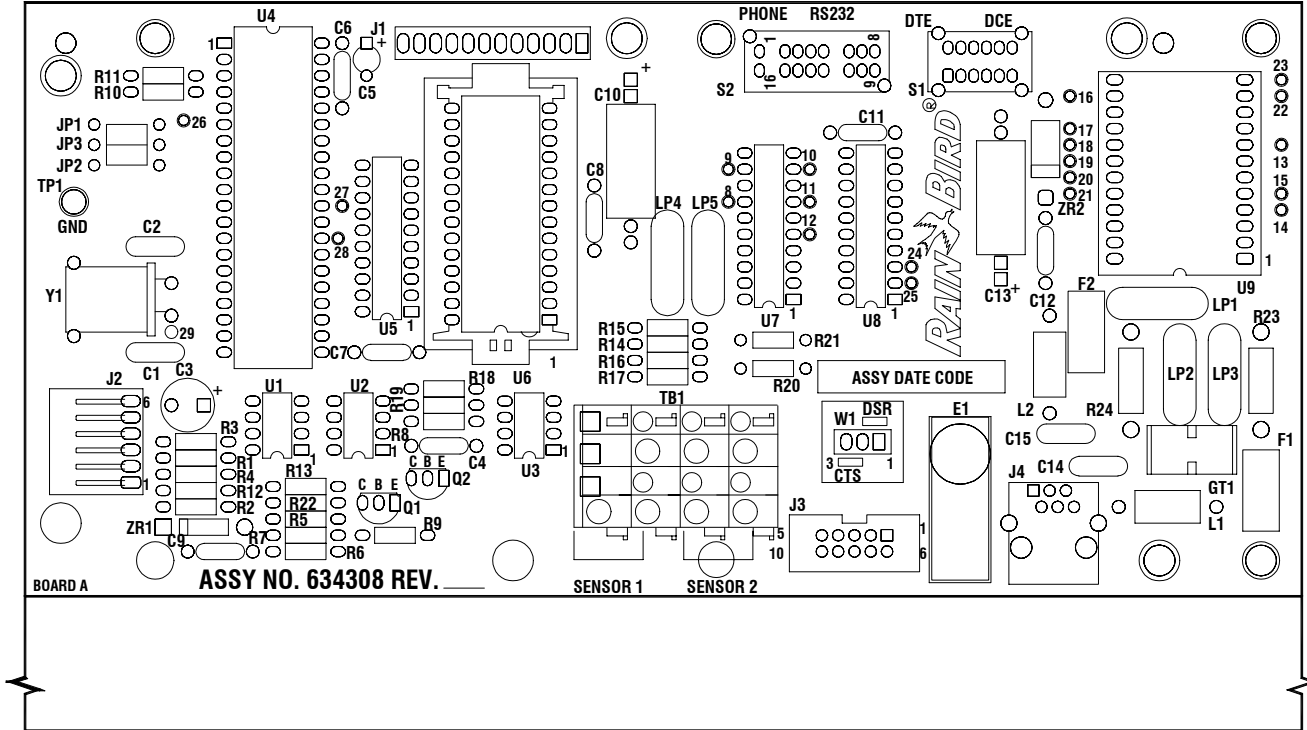
ESP12SITES/ ESP16SITES/ ESP24SITES/ ESP32SITES/ ESP40SITES  
(STAINLESS STEEL PEDESTAL, 120 VOLT, 60 Hz)

Ref.	Description	Qty.	12	16	24	32	40
<b>PWB ASSY TERMINAL, CONT.</b>							
L13-16	Inductor Ferrite Bead	4	-	650300-05	650300-05	650300-05	650300-05
L17-24	Inductor Ferrite Bead	8	-	-	650300-05	650300-05	650300-05
L25-32	Inductor Ferrite Bead	8	-	-	-	650300-05	650300-05
L33-40	Inductor Ferrite Bead	8	-	-	-	-	650300-05
-	Fuse 2.5Amp	1	(650431-28)	(650431-28)	(650431-28)	(650431-28)	(650431-28)
J3	Connector, DB15S 15 Pins	1	(650610-06)	(650610-06)	(650610-06)	(650610-06)	(650610-06)
J4	Connector, DB15S 15 Pins	1	-	(650610-06)	(650610-06)	(650610-06)	(650610-06)
J5	Connector, DB15S 15 Pins	1	-	-	-	(650610-06)	(650610-06)
J6	Connector, DB15S 15 Pins	1	-	-	-	-	(650610-06)
J3	Jack Socket Kit	1	(650620)	(650620)	(650620)	(650620)	(650620)
J4	Jack Socket Kit	1	-	(650620)	(650620)	(650620)	(650620)
J5	Jack Socket Kit	1	-	-	-	(650620)	(650620)
J6	Jack Socket Kit	1	-	-	-	-	(650620)
R1	Resistor, 2% 2W 0.1Ohms	1	(650766-01)	(650766-01)	(650766-01)	(650766-01)	(650766-01)
LP1-8							
LP41,42	Mov 20MM 47V, 2000A	10	650796	650796	650796	650796	650796
LP9-12	Mov 20MM 47V, 2000A	4	650796	650796	650796	650796	650796
LP13-16	Mov 20MM 47V, 2000A	4	-	650796	650796	650796	650796
LP17-24	Mov 20MM 47V, 2000A	8	-	-	650796	650796	650796
LP25-32	Mov 20MM 47V, 2000A	8	-	-	-	650796	650796
LP33-40	Mov 20MM 47V, 2000A	8	-	-	-	-	650796
J1	Header,Polzd., .100Ctrs. 50Pins	1	(650872-50)	(650872-50)	(650872-50)	(650872-50)	(650872-50)
LP44	Mov 47V. 1000A	1	650875	650875	650875	650875	650875
C1-8 C41,42	Capacitor, Ceramic Axial .01uF,100V	10	(650882-01)	(650882-01)	(650882-01)	(650882-01)	(650882-01)
C9-12	Capacitor, Ceramic Axial .01uF,100V	4	(650882-01)	(650882-01)	(650882-01)	(650882-01)	(650882-01)
C13-16	Capacitor, Ceramic Axial .01uF,100V	4	-	(650882-01)	(650882-01)	(650882-01)	(650882-01)
C17-24	Capacitor, Ceramic Axial .01uF,100V	8	-	-	(650882-01)	(650882-01)	(650882-01)
C25-32	Capacitor, Ceramic Axial .01uF,100V	8	-	-	-	(650882-01)	(650882-01)
C33-40	Capacitor, Ceramic Axial .01uF,100V	8	-	-	-	-	(650882-01)
J2	Header,Polzd.,.156Ctrs. 2Pins	1	(650893-02)	(650893-02)	(650893-02)	(650893-02)	(650893-02)
J7	Header,Polzd.,.156Ctrs. 5Pins	1	(650893-05)	(650893-05)	(650893-05)	(650893-05)	(650893-05)
TB1,2	Terminal Blk. .300SPC 1Pos	16	(651000-01)	(651000-01)	(651000-01)	(651000-01)	(651000-01)
TB3	Terminal Blk. .300SPC 1Pos	8	(651000-01)	(651000-01)	(651000-01)	(651000-01)	(651000-01)
TB4	Terminal Blk. .300SPC 1Pos	8	-	-	(651000-01)	(651000-01)	(651000-01)
TB5	Terminal Blk. .300SPC 1Pos	8	-	-	-	(651000-01)	(651000-01)
TB6	Terminal Blk. .300SPC 1Pos	8	-	-	-	-	(651000-01)
Q1-8 Q41,42	Triac, 6Amps	10	651138	651138	651138	651138	651138
Q9-12	Triac, 6Amps	4	651138	651138	651138	651138	651138
Q13-16	Triac, 6Amps	4	-	651138	651138	651138	651138
Q17-24	Triac, 6Amps	8	-	-	651138	651138	651138
Q25-32	Triac, 6Amps	8	-	-	-	651138	651138
Q33-40	Triac, 6Amps	8	-	-	-	-	651138
LP43	Mov 50V, 2500A	1	(651272)	(651272)	(651272)	(651272)	(651272)

Note: Part Numbers enclosed in brackets ( ) are not available individually, but may be sold in assemblies or kits.

ESP12SITES/ ESP16SITES/ ESP24SITES/ ESP32SITES/ ESP40SITES  
 (STAINLESS STEEL PEDESTAL, 120 VOLT, 60 Hz)

**PWB ASSY ESP-SITE INTERFACE & MODEM**



Ref.	Description	Qty.	12	16	24	32	40
<b>PWB ASSY ESP-SITE INTERFACE &amp; MODEM</b>			(634308)	(634308)	(634308)	(634308)	(634308)
LP1-3	Mov 230Vac,4500A	3	(630386)	(630386)	(630386)	(630386)	(630386)
-	Label. Bar Code 39	1	(631356-01)	(631356-01)	(631356-01)	(631356-01)	(631356-01)
U6	PROM Carrier Assy	1	633323-03	633323-03	633323-03	633323-03	633323-03
-	Printed Wiring board Fabrication	1	(634309)	(634309)	(634309)	(634309)	(634309)
C1,2	Capacitor Ceramic,Disc,30pF,50V	2	(650012-15)	(650012-15)	(650012-15)	(650012-15)	(650012-15)
LP4,5	Mov 33V,500A	2	650015	650015	650015	650015	650015
ZR1	Diode Zener, 5.1V	1	(650038-70)	(650038-70)	(650038-70)	(650038-70)	(650038-70)
C13	Capacitor, Electrl,Axial 100uF,10V	1	(650044-05)	(650044-05)	(650044-05)	(650044-05)	(650044-05)
R1	Resistor,Carbon Film,1/4W 100Ohms	1	650079-49	650079-49	650079-49	650079-49	650079-49
R3,13	Resistor,Carbon Film,1/4W 270Ohms	2	(650079-59)	(650079-59)	(650079-59)	(650079-59)	(650079-59)
R14-17	Resistor,Carbon Film,1/4W 1KOhm	4	(650079-73)	(650079-73)	(650079-73)	(650079-73)	(650079-73)
R2	Resistor,Carbon Film,1/4W 1.5KOhms	1	(650079-77)	(650079-77)	(650079-77)	(650079-77)	(650079-77)
R4,20, R21	Resistor,Carbon Film,1/4W 2KOhms	3	(650079-80)	(650079-80)	(650079-80)	(650079-80)	(650079-80)
R6,8,9, 18,19,22	Resistor,Carbon Film, 1/4W 4.7KOhms	6	650079-89	650079-89	650079-89	650079-89	650079-89

Note: Part Numbers enclosed in brackets ( ) are not available individually, but may be sold in assemblies or kits.

ESP12SITES/ ESP16SITES/ ESP24SITES/ ESP32SITES/ ESP40SITES  
(STAINLESS STEEL PEDESTAL, 120 VOLT, 60 Hz)

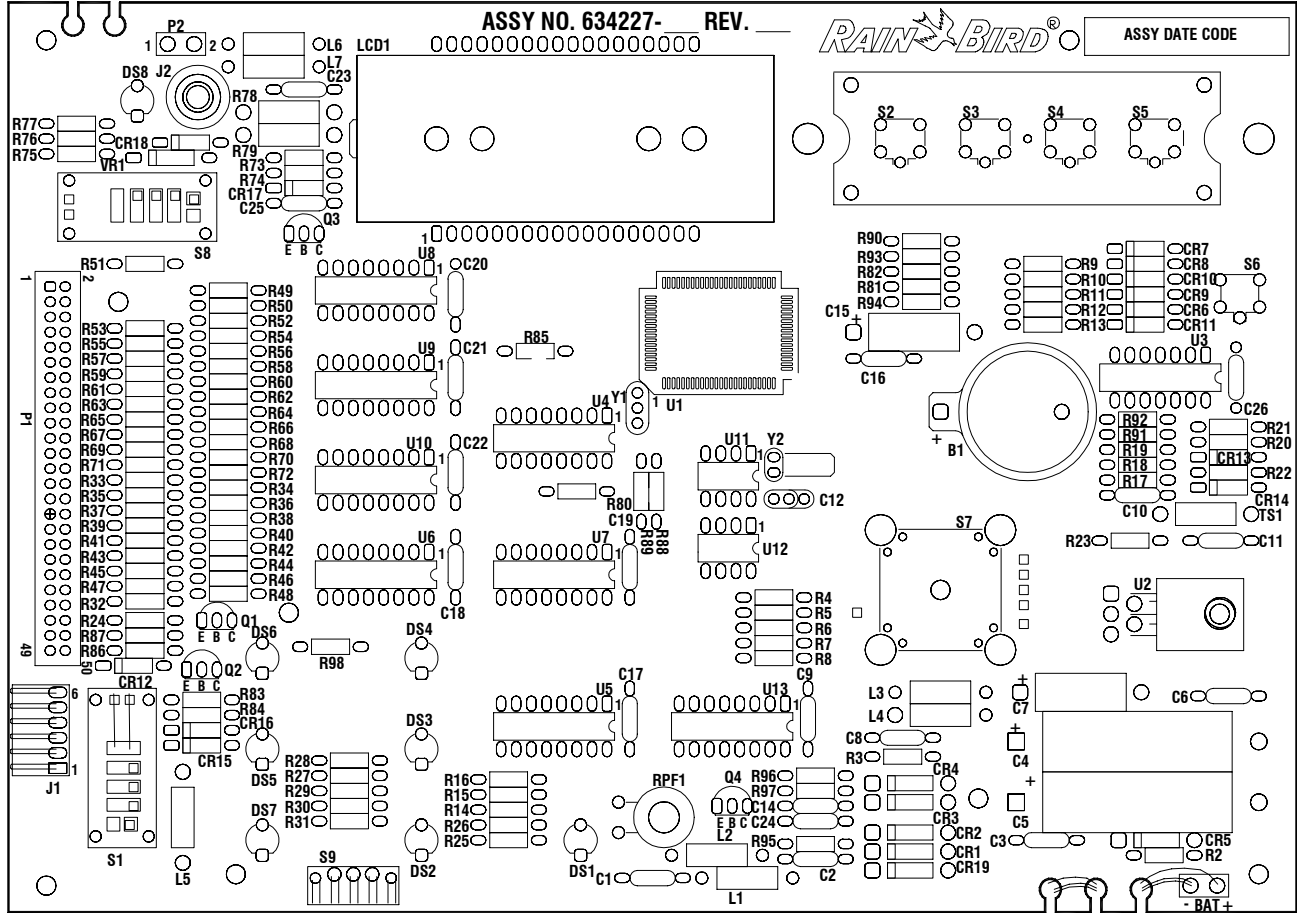
Ref.	Description	Qty.	12	16	24	32	40
<b>PWB ASSY ESP-SITE INTERFACE &amp; MODEM, CONT.</b>							
R12	Resistor, Carbon Film, 1/4W 10K Ohms	1	(650079-97)	(650079-97)	(650079-97)	(650079-97)	(650079-97)
R5,7,10,R11	Resistor, Carbon Film, 1/4W 47K Ohms	4	(650080-14)	(650080-14)	(650080-14)	(650080-14)	(650080-14)
C10	Capacitor, Electrl, Axial 10uF, 16V	1	(650083-01)	(650083-01)	(650083-01)	(650083-01)	(650083-01)
C4,12	Capacitor, Ceramic, Axial .01uF, 50V	2	650085-31	650085-31	650085-31	650085-31	650085-31
C6-9,11	Capacitor, Ceramic Axial 0.1uF, 50V	5	(650085-55)	(650085-55)	(650085-55)	(650085-55)	(650085-55)
TP1	Test Point, PC Mount	1	(650336-01)	(650336-01)	(650336-01)	(650336-01)	(650336-01)
Q1,2	Transistorm PNP	2	650369	650369	650369	650369	650369
W1	Plug, Shorting	1	(650417)	(650417)	(650417)	(650417)	(650417)
U1,2,3	IC, Opto-Coupler	3	650445	650445	650445	650445	650445
W1	Header, .100Ctrs 3Pins	1	(650454-03)	(650454-03)	(650454-03)	(650454-03)	(650454-03)
L1,2	Inductor Ferrite Bead Lead	2	(650509)	(650509)	(650509)	(650509)	(650509)
C14,15	Capacitor, Ceramic, Radial .005uF, 1KV	2	(650516)	(650516)	(650516)	(650516)	(650516)
U6	Socket, PROM Carrier	1	650518-02	650518-02	650518-02	650518-02	650518-02
U8	IC, RS-232 Driver/Receiver	1	650559	650559	650559	650559	650559
C5	Capacitor, Tantalum, Radial 2.2uF, 25V	1	650583-03	650583-03	650583-03	650583-03	650583-03
C3	Capacitor, Tantalum, Radial 22uF, 25V	1	650583-09	650583-09	650583-09	650583-09	650583-09
S1	Switch, Slide, 4PDT	1	650609	650609	650609	650609	650609
U5	IC, Octal D-Type Latch	1	650611	650611	650611	650611	650611
Y1	Wire, 22Awg, Auto-Inserted .450Lead SP	.55	(650625-03)	(650625-03)	(650625-03)	(650625-03)	(650625-03)
ZR2	Transient Supresor	1	650658-01	650658-01	650658-01	650658-01	650658-01
Y1	Crystal, Quartz 11.059 MHz	1	650721	650721	650721	650721	650721
J3	Header, Low Profile 1- Pos	1	(650872-10)	(650872-10)	(650872-10)	(650872-10)	(650872-10)
TB1	Terminal Block, .300LD SP	4	(651000-01)	(651000-01)	(651000-01)	(651000-01)	(651000-01)
U7	IC, Noninverting Buffer	1	(651001)	(651001)	(651001)	(651001)	(651001)
U9	IC, Modem Module	1	(651002)	(651002)	(651002)	(651002)	(651002)
S2	Switch, Slide, 4P3T	1	(651003)	(651003)	(651003)	(651003)	(651003)
J2	Header, Polzd, Right Angle .098Ctrs	1	(651005-06)	(651005-06)	(651005-06)	(651005-06)	(651005-06)
U4	IC, Microcontroller	1	651031	651031	651031	651031	651031
J1	Board Spacerm .025" Sq.	1	(651308-11)	(651308-11)	(651308-11)	(651308-11)	(651308-11)
J4	Connector, Modular Jask, Low Prof.	1	(651317)	(651317)	(651317)	(651317)	(651317)
F1,2	Polyswitch, Series TR600	2	(651318)	(651318)	(651318)	(651318)	(651318)
R23,24	Resistor, Power metal Film	2	(651322)	(651322)	(651322)	(651322)	(651322)
GT1	Protector, Surge, Spark Gap	1	(651427)	(651427)	(651427)	(651427)	(651427)

Note: Part Numbers enclosed in brackets ( ) are not available individually, but may be sold in assemblies or kits.



ESP12SITES/ ESP16SITES/ ESP24SITES/ ESP32SITES/ ESP40SITES  
 (STAINLESS STEEL PEDESTAL, 120 VOLT, 60 Hz)

PWB ASSY ESP-MC ESC-1 CONTROLLER



Ref.	Description	Qty.	12	16	24	32	40
<b>PWB ASSY ESP-MC ESC-1 CONTROLLER</b>							
S7	Switch Rotary	1	(630609)	(630609)	(630609)	(630609)	(630609)
S8	Switch, Slide	1	(630651)	(630651)	(630651)	(630651)	(630651)
-	Label, Bar Code 39	1	(631356-01)	(631356-01)	(631356-01)	(631356-01)	(631356-01)
LCD1	Spacer, LCD	1	(632046)	(632046)	(632046)	(632046)	(632046)
P2	Sensor Cable	1	(632048-01)	(632048-01)	(632048-01)	(632048-01)	(632048-01)
J2	Spring, Shield .70 Long	1	(632898-01)	(632898-01)	(632898-01)	(632898-01)	(632898-01)
LCD1	Liquid, Crystal Display	1	(633087)	(633087)	(633087)	(633087)	(633087)
U1	Microcomp., Toshiba, OTP	1	(633088)	(633088)	(633088)	(633088)	(633088)
P1	Ribbon Cable Assy 50Ckts	1	(633090)	(633090)	(633090)	(633090)	(633090)
-	Printed Wiring Board	1	(634228)	(634228)	(634228)	(634228)	(634228)
C12	Capacitor, ceramic radial 6pF, 50V	1	(650012-04)	(650012-04)	(650012-04)	(650012-04)	(650012-04)
U2	Washer, Flat, carbon Steel	1	(650023-03)	(650023-03)	(650023-03)	(650023-03)	(650023-03)

Note: Part Numbers enclosed in brackets ( ) are not available individually, but may be sold in assemblies or kits.

ESP12SITES/ ESP16SITES/ ESP24SITES/ ESP32SITES/ ESP40SITES  
(STAINLESS STEEL PEDESTAL, 120 VOLT, 60 Hz)

Ref.	Description	Qty.	12	16	24	32	40
<b>PWB ASSY ESP-MC ESC-1 CONTROLLER, CONT.</b>							
CR6	Diode, Switching	1	650037-01	650037-01	650037-01	650037-01	650037-01
CR7	Diode, Switching	1	650037-01	-	650037-01	-	650037-01
CR8	Diode, Switching	1	-	650037-01	650037-01	-	-
CR9	Diode, Switching	1	-	-	-	650037-01	650037-01
CR11-18	Diode, Switching	8	650037-01	650037-01	650037-01	650037-01	650037-01
VR1	Diode, Zener, 500mW, 5.6V	1	(650038-71)	(650038-71)	(650038-71)	(650038-71)	(650038-71)
C7, 15	Capacitor, Electrolytic, Axial 47uF, 10V	2	(650044-03)	(650044-03)	(650044-03)	(650044-03)	(650044-03)
BAT	Battery Snap 9V	1	650075	650075	650075	650075	650075
CR1-5 C19	Diode, Gen Purpose, 1Amp	6	650077-02	650077-02	650077-02	650077-02	650077-02
R23, 85 R98	Resistor, Carbon Film, 1/4W, 10Ohms	2	(650079-25)	(650079-25)	(650079-25)	(650079-25)	(650079-25)
R49-56 R24, 32,	Resistor, Carbon Film 1/4W, 150Ohms	11	(650079-53)	(650079-53)	(650079-53)	(650079-53)	(650079-53)
R57-60	Resistor, Carbon Film 1/4W, 150Ohms	4	(650079-53)	(650079-53)	(650079-53)	(650079-53)	(650079-53)
R61-64	Resistor, Carbon Film 1/4W, 150Ohms	4	-	(650079-53)	(650079-53)	(650079-53)	(650079-53)
R65-72	Resistor, Carbon Film 1/4W, 150Ohms	8	-	-	(650079-53)	(650079-53)	(650079-53)
R33-40	Resistor, Carbon Film 1/4W, 150Ohms	8	-	-	-	(650079-53)	(650079-53)
R41-48	Resistor, Carbon Film 1/4W, 150Ohms	8	-	-	-	-	(650079-53)
R25-31	Resistor, Carbon Film 1/4W 470Ohms	7	(650079-65)	(650079-65)	(650079-65)	(650079-65)	(650079-65)
R17, 95	Resistor, Carbon Film, 1/4W, 1KOhm	2	(650079-73)	(650079-73)	(650079-73)	(650079-73)	(650079-73)
R76	Resistor, Carbon Film, 1/4W, 2KOhms	1	(650079-80)	(650079-80)	(650079-80)	(650079-80)	(650079-80)
R2	Resistor, Carbon Film, 1/4W 3.3KOhms	1	(650079-85)	(650079-85)	(650079-85)	(650079-85)	(650079-85)
R88-90 R84, 87 R20-22	Resistor, Carbon Film, 1/4W, 4.7KOhms	8	650079-89	650079-89	650079-89	650079-89	650079-89
R92	Resistor, Carbon Film, 1/4W, 8.2KOhms	1	(650079-95)	(650079-95)	(650079-95)	(650079-95)	(650079-95)
R19, 91	Resistor, Carbon Film, 1/4W, 10Kohms	2	(650079-97)	(650079-97)	(650079-97)	(650079-97)	(650079-97)
R83, 86 R18, 80	Resistor, Carbon Film, 1/4W, 47KOhms	4	(650080-14)	(650080-14)	(650080-14)	(650080-14)	(650080-14)
R94 R82, 93, R43, 81 R4-16	Resistor, Carbon Film, 1/4W 100Kohms	18	(650080-22)	(650080-22)	(650080-22)	(650080-22)	(650080-22)
R96, 97 R74, 75 R3	Resistor, Carbon Film, 1/4W, 220KOhms	5	(650080-30)	(650080-30)	(650080-30)	(650080-30)	(650080-30)
C20, 24 C16, 17 C10, 14 C3, 8, 9	Capacitor, Ceramic Axial .1uF, 50V	9	(650085-55)	(650085-55)	(650085-55)	(650085-55)	(650085-55)

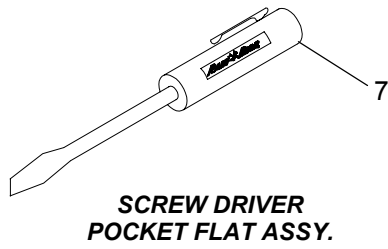
Note: Part Numbers enclosed in brackets ( ) are not available individually, but may be sold in assemblies or kits.

ESP12SITES/ ESP16SITES/ ESP24SITES/ ESP32SITES/ ESP40SITES  
(STAINLESS STEEL PEDESTAL, 120 VOLT, 60 Hz)

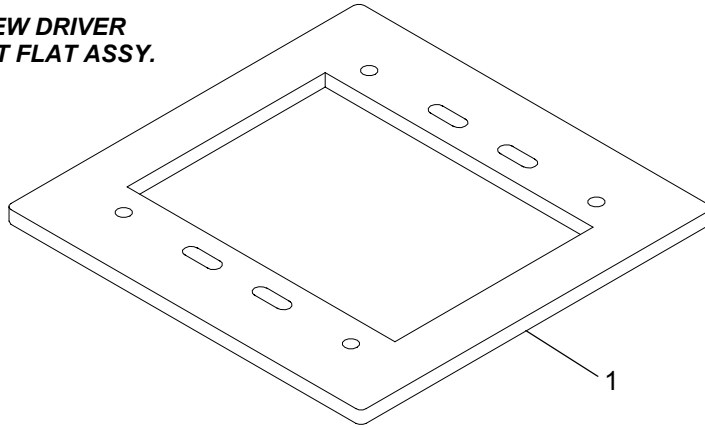
Ref.	Description	Qty.	12	16	24	32	40
<b>PWB ASSY ESP-MC ESC-1 CONTROLLER, CONT.</b>							
C21	Capacitor,Ceramic Axial .1uF,50V	1	(650085-55)	(650085-55)	(650085-55)	(650085-55)	(650085-55)
C22	Capacitor,Ceramic Axial .1uF,50V	1	-	-	(650085-55)	(650085-55)	(650085-55)
C18	Capacitor,Ceramic Axial .1uF,50V	1	-	-	-	(650085-55)	(650085-55)
C19	Capacitor,Ceramic Axial .1uF,50V	1	-	-	-	-	(650085-55)
U2	Rivet,Blind Dome HD. .125Dia	1	(650139-05)	(650139-05)	(650139-05)	(650139-05)	(650139-05)
R78,79	Resistor,Carbon Film,1/2W,1KOhms	2	(650202-73)	(650202-73)	(650202-73)	(650202-73)	(650202-73)
L1-7	Inductor,Ferrite Bead	7	650300-05	650300-05	650300-05	650300-05	650300-05
U3	IC Quad OP Amp	1	650358	650358	650358	650358	650358
Q3,4	Transistor,NPN, 624mW	2	650367	650367	650367	650367	650367
Q1,2	Transistor,PNP	2	650369	650369	650369	650369	650369
Y2	Crystal,Quartz 32.768KHz	1	(650484)	(650484)	(650484)	(650484)	(650484)
TS1	Transient Suppressor 6.8V	1	(650595-01)	(650595-01)	(650595-01)	(650595-01)	(650595-01)
C5	Capacitor,Electrolyt,Axial 330uF,25V	1	(650624)	(650624)	(650624)	(650624)	(650624)
U4	3-8 Line Decoder	1	650699	650699	650699	650699	650699
S2,3,4 S5,6	Switch, Pushbutton	5	(650748)	(650748)	(650748)	(650748)	(650748)
C23,25 C1,2,11	Capacitor,ceramic Axial .01uF,100V	5	(650882-01)	(650882-01)	(650882-01)	(650882-01)	(650882-01)
C6	Capacitor,NPO,Axial 10pF,100V	1	(650883-13)	(650883-13)	(650883-13)	(650883-13)	(650883-13)
C26	Capacitor,NPO,Axial 220pF,100V	1	(650883-17)	(650883-17)	(650883-17)	(650883-17)	(650883-17)
U5,8	8Bit Addressable Latch	2	650889	650889	650889	650889	650889
U9	8Bit Addressable Latch	1	650889	650889	650889	650889	650889
U10	8Bit Addressable Latch	1	-	-	650889	650889	650889
U6	8Bit Addressable Latch	1	-	-	-	650889	650889
U7	8Bit Addressable Latch	1	-	-	-	-	650889
DS1-8	Led,red,.200Ctrs.	8	650910	650910	650910	650910	650910
U2	Regulator,Low Dropout	1	(650962)	(650962)	(650962)	(650962)	(650962)
J2	Eyelet, Spring	1	(650985)	(650985)	(650985)	(650985)	(650985)
J1	Header,Polzd.Radial,.100Ctrs 6Pins	1	(651005-06)	(651005-06)	(651005-06)	(651005-06)	(651005-06)
B1	Battery, Lithium	1	(651009)	(651009)	(651009)	(651009)	(651009)
B1	Holder,Battery Coin	1	(651010)	(651010)	(651010)	(651010)	(651010)
U11	IC,Real Time Clock	1	(651011)	(651011)	(651011)	(651011)	(651011)
U12	IC,EEPROM-4K Byte, Serial	1	(651012)	(651012)	(651012)	(651012)	(651012)
Y1	Resonator,ceramic 8.00MHz	1	(651013)	(651013)	(651013)	(651013)	(651013)
U13	IC,8Bit Input Mux	1	(651014)	(651014)	(651014)	(651014)	(651014)
C4	Capacitor,Electrolyt,Axial 1000uF,25V	1	(651054-12)	(651054-12)	(651054-12)	(651054-12)	(651054-12)
RPF1	Polyswitch,RXE,60V,.65A	1	(651055-08)	(651055-08)	(651055-08)	(651055-08)	(651055-08)
S9	Switch Slide	1	(651292)	(651292)	(651292)	(651292)	(651292)

Note: Part Numbers enclosed in brackets ( ) are not available individually, but may be sold in assemblies or kits.

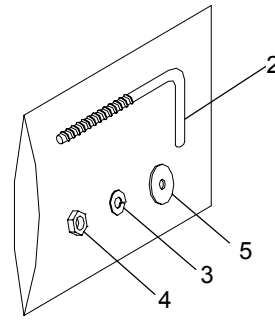
ESP12SITES/ ESP16SITES/ ESP24SITES/ ESP32SITES/ ESP40SITES  
 (STAINLESS STEEL PEDESTAL, 120 VOLT, 60 Hz)



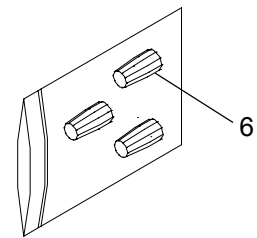
**SCREW DRIVER  
POCKET FLAT ASSY.**



**TEMPLATE MOUNTING**



**MOUNTING  
HARDWARE**



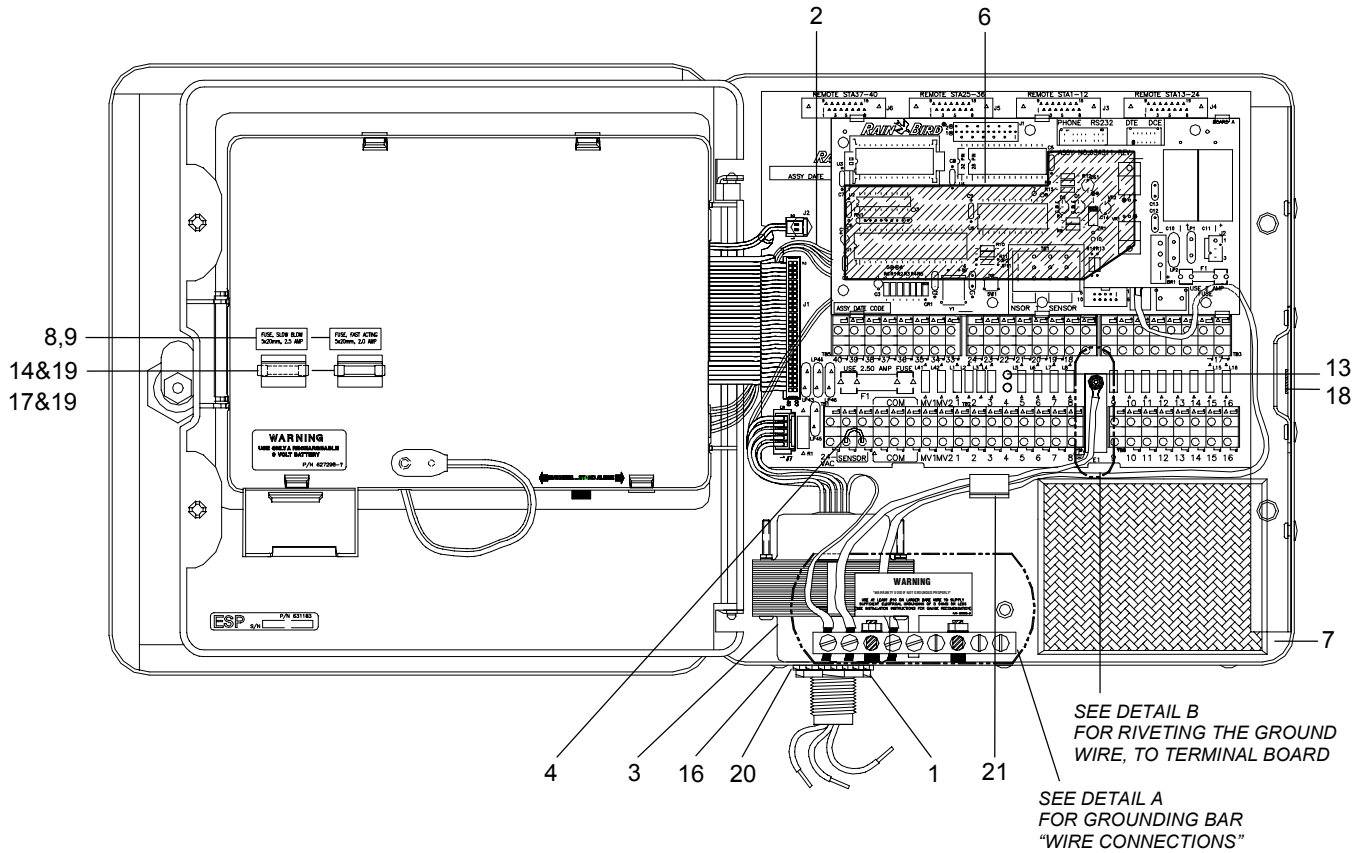
**WIRE NUTS KIT**

Ref.	Description	Qty.	12	16	24	32	40
<b>ACCESORIES</b>							
-	Bag, Poly 6x8	2	(601846)	(601846)	(601846)	(601846)	(601846)
	Template Mounting Plastic	1	629602	629602	629602	629602	629602
	Card, Customer Registration-Tm	1	(632354)	(632354)	(632354)	(632354)	(632354)
-	Mounting Hardware						
2	Bolt Anchor	4	629557	629557	629557	629557	629557
3	Washer 5/16 Lock-Spring	4	(650029-07)	(650029-07)	(650029-07)	(650029-07)	(650029-07)
4	Nut, Hex 5/16	4	(650033-07)	(650033-07)	(650033-07)	(650033-07)	(650033-07)
5	Washer Flat 5/6 Type B	4	(650441)	(650441)	(650441)	(650441)	(650441)
-	Instructions, Installation & Oper	1	633686	633686	633686	633686	633686
-	Instruction, Installation & Oper Spanis	1	(633696)	(633696)	(633696)	(633696)	(633696)
-	Guide, Operations Addendum	1	(633942)	(633942)	(633942)	(633942)	(633942)
-	Cable Assy., Modem-Site	1	(634356)	(634356)	(634356)	(634356)	(634356)
-	Manual Addendum, Esp-Site	1	(634482)	(634482)	(634482)	(634482)	(634482)
-	Wire Nuts, Kit	1	(634613)	(634613)	(634613)	(634613)	(634613)
-	Label Warning Hang Tag-Local	1	(634503)	(634503)	(634503)	(634503)	(634503)
-	Bag, Zip Lock	1	(650924-01)	(650924-01)	(650924-01)	(650924-01)	(650924-01)
6	Wire Nut 22-14,	3	(651351)	(651351)	(651351)	(651351)	(651351)
-	Manual Addendum, Spanish	1	(634618)	(634618)	(634618)	(634618)	(634618)
-	Grounding Int. Addendum Ss Cont	1	(635009)	(635009)	(635009)	(635009)	(635009)
7	Assy, Screw Driver Pocket Flat	1	(650810)	(650810)	(650810)	(650810)	(650810)
-	Label, Screw Driver	1	(635095)	(635095)	(635095)	(635095)	(635095)
-	Screw Driver Pocket Flat Blade	1	(651475)	(651475)	(651475)	(651475)	(651475)
-	Bag, Zip Lock, Plastic 2.5x3	2	(650924-01)	(650924-01)	(650924-01)	(650924-01)	(650924-01)
-	Battery, Nicad 7.2V	1	650929	650929	650929	650929	650929

Note: Part Numbers enclosed in brackets ( ) are not available individually, but may be sold in assemblies or kits.

IESP12SITEW/ IESP16SITEW/ IESP24SITEW/ IESP32SITEW/ IESP40SITEW  
 (METAL WALL MOUNT, INTERNATIONAL, 240 VOLT, 50 Hz)

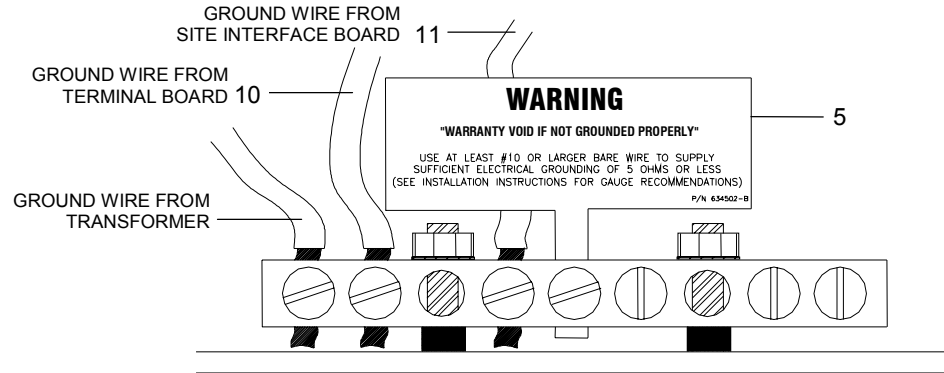
CONTROLLER ASSEMBLY



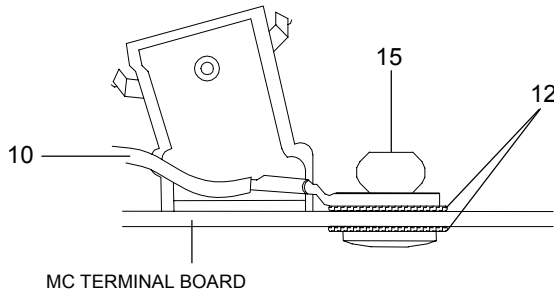
Ref.	Description	Qty.	12	16	24	32	40
<b>CONTROLLER ASSEMBLY</b>			(634407-08)	(634407-09)	(634407-10)	(634407-11)	(634407-12)
1	Locknut Conduit	1	(628013)	(628013)	(628013)	(628013)	(628013)
2	Cable Assy, 2 Wire/Link Intfc-Mc	1	(633132)	(633132)	(633132)	(633132)	(633132)
3	XFMR Assy, Link, 230V-Esp-Mc	1	(633165-02)	(633165-02)	(633165-02)	(633165-02)	(633165-02)
4	Sensor Jumper Wire-EspLx+	1	(633442)	(633442)	(633442)	(633442)	(633442)
-	Label, Caution	1	(633657)	(633657)	(633657)	(633657)	(633657)
5	Label, Warning Grounding Esp-Mc	1	(634502)	(634502)	(634502)	(634502)	(634502)
6	PWB Foam Esp-Site	1	(634532)	(634532)	(634532)	(634532)	(634532)
-	Label, Warning Corrosion Inhib	1	(634558)	(634558)	(634558)	(634558)	(634558)
7	Parts Box WM Cabines	1	(634612)	(634612)	(634612)	(634612)	(634612)
8	Label, Fuse 2.5 Amp	1	(634615)	(634615)	(634615)	(634615)	(634615)
9	Label, Fuse 2.0 Amp	1	(634616)	(634616)	(634616)	(634616)	(634616)
10	Ground Wire Assy 12 Awg (11)	1	(634943-11)	(634943-11)	(634943-11)	(634943-11)	(634943-11)
11	Ground Wire Assy 12 Awg (19)	1	(634943-19)	(634943-19)	(634943-19)	(634943-19)	(634943-19)

Note: Part Numbers enclosed in brackets ( ) are not available individually, but may be sold in assemblies or kits.

IESP12SITEW/ IESP16SITEW/ IESP24SITEW/ IESP32SITEW/ IESP40SITEW  
 (METAL WALL MOUNT, INTERNATIONAL, 240 VOLT, 50 Hz)



**DETAIL A**  
 VIEWED FROM OUTSIDE  
 OF THE CONTROLLER



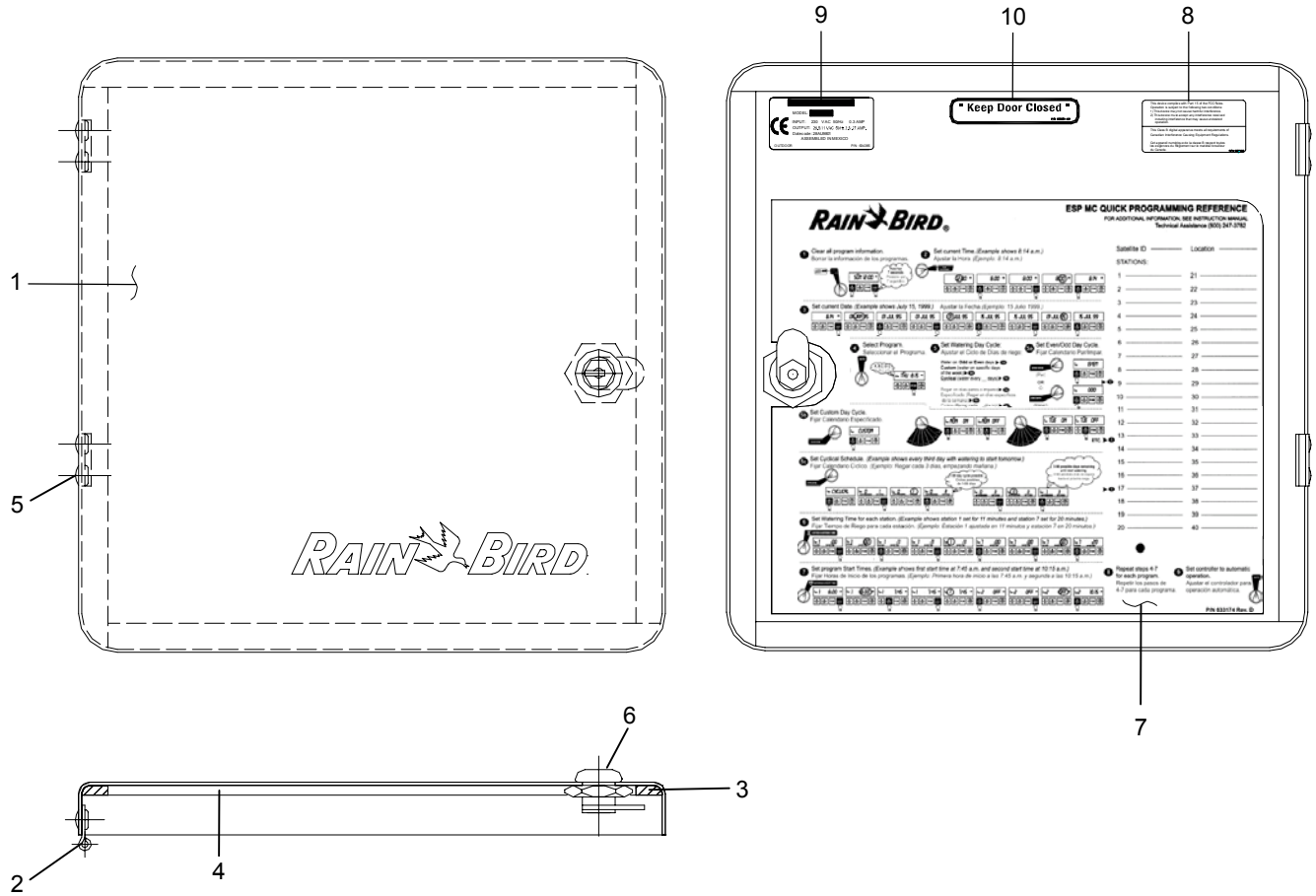
**DETAIL B**  
 VIEWED FROM RIGHT SIDE  
 OF THE CONTROLLER

Ref.	Description	Qty.	12	16	24	32	40
<b>CONTROLLER ASSEMBLY, CONT.</b>							
-	Label, Keyhole.	2	(635011)	(635011)	(635011)	(635011)	(635011)
12	Washer Lock, #10, Ext-Tooth, Z-Pltd	4	(650162-04)	(650162-04)	(650162-04)	(650162-04)	(650162-04)
13	Screw Phil Hi-Lo 7-19x1/2	3	(650183-63)	(650183-63)	(650183-63)	(650183-63)	(650183-63)
14	Fuse 5x20Mm Amp	1	(650307-03)	(650307-03)	(650307-03)	(650307-03)	(650307-03)
15	Rivet, Blind 0.19	2	(650434-13)	(650434-13)	(650434-13)	(650434-13)	(650434-13)
16	Plug, Hole .250, Nyl, White	5	(650485-04)	(650485-04)	(650485-04)	(650485-04)	(650485-04)
-	Spacer circuit Brd. Edge Hold	6	(650912-05)	(650912-05)	(650912-05)	(650912-05)	(650912-05)
-	Spacer circuit Brd. Edge Hold	6	(650912-10)	(650912-10)	(650912-10)	(650912-10)	(650912-10)
17	Fuse, 5x20, Slow Blow 2 1/2 Amp	1	650966-14	650966-14	650966-14	650966-14	650966-14
18	Impregnated Foam Corrosion Inh	1	(651331)	(651331)	(651331)	(651331)	(651331)
19	Holder Fuse	2	(651384)	(651384)	(651384)	(651384)	(651384)
20	Lock Washer, External Tooth	1	(651389)	(651389)	(651389)	(651389)	(651389)
21	Wire Clip W/Adhesive	1	(651446-02)	(651446-02)	(651446-02)	(651446-02)	(651446-02)

Note: Part Numbers enclosed in brackets ( ) are not available individually, but may be sold in assemblies or kits.

IESP12SITEW/ IESP16SITEW/ IESP24SITEW/ IESP32SITEW/ IESP40SITEW  
(METAL WALL MOUNT, INTERNATIONAL, 240 VOLT, 50 Hz)

DOOR ASSEMBLY

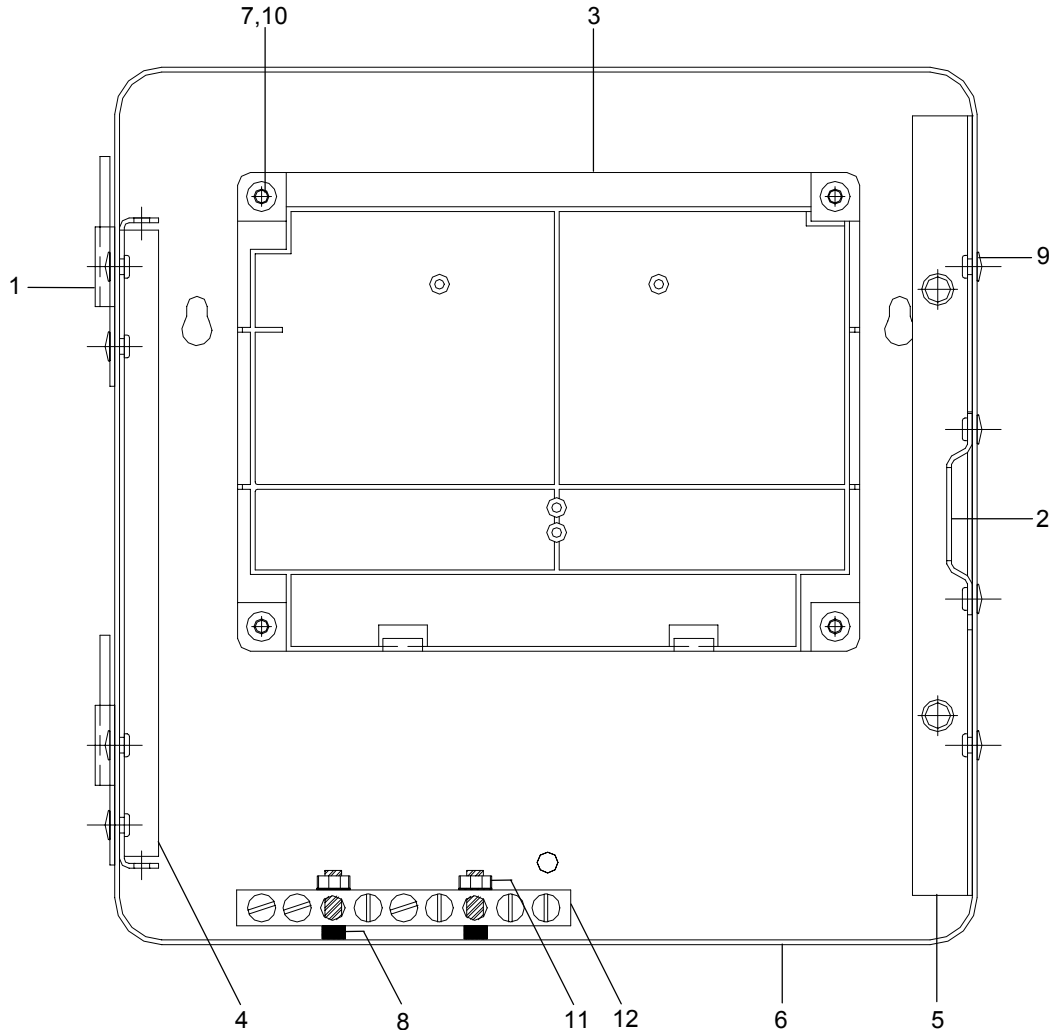


Ref.	Description	Qty.	12	16	24	32	40
<b>DOOR ASSEMBLY</b>			(634428-02)	(634428-02)	(634428-02)	(634428-02)	(634428-02)
-	Door Assy, Gray Dep Draw	1	629321-03	629321-03	629321-03	629321-03	629321-03
1	Door, Painted Gray	1	(629113-03)	(629113-03)	(629113-03)	(629113-03)	(629113-03)
2	Hinge Slip Joint F	2	(629227-02)	(629227-02)	(629227-02)	(629227-02)	(629227-02)
3	Gasket Foam 10.63	2	(629620-01)	(629620-01)	(629620-01)	(629620-01)	(629620-01)
4	Gasket Foam 10.43	2	(629620-02)	(629620-02)	(629620-02)	(629620-02)	(629620-02)
5	Rivet Semi Tubular Oval A	4	(650401)	(650401)	(650401)	(650401)	(650401)
6	Lock, Cam	1	650755	650755	650755	650755	650755
7	Label/Envelope-Esp-Mc	1	(633174)	(633174)	(633174)	(633174)	(633174)
8	Label, Fcc Compliance, E Class	1	(633662)	(633662)	(633662)	(633662)	(633662)
9	Label, Rating	1	(634385-14)	(634385-14)	(634385-14)	(634385-14)	(634385-14)
10	Label, Keep Door Closed Esp-Mc	1	(634501)	(634501)	(634501)	(634501)	(634501)

Note: Part Numbers enclosed in brackets ( ) are not available individually, but may be sold in assemblies or kits.

IESP12SITEW/ IESP16SITEW/ IESP24SITEW/ IESP32SITEW/ IESP40SITEW]  
 (METAL WALL MOUNT, INTERNATIONAL, 240 VOLT, 50 Hz)

CABINET ASSEMBLY



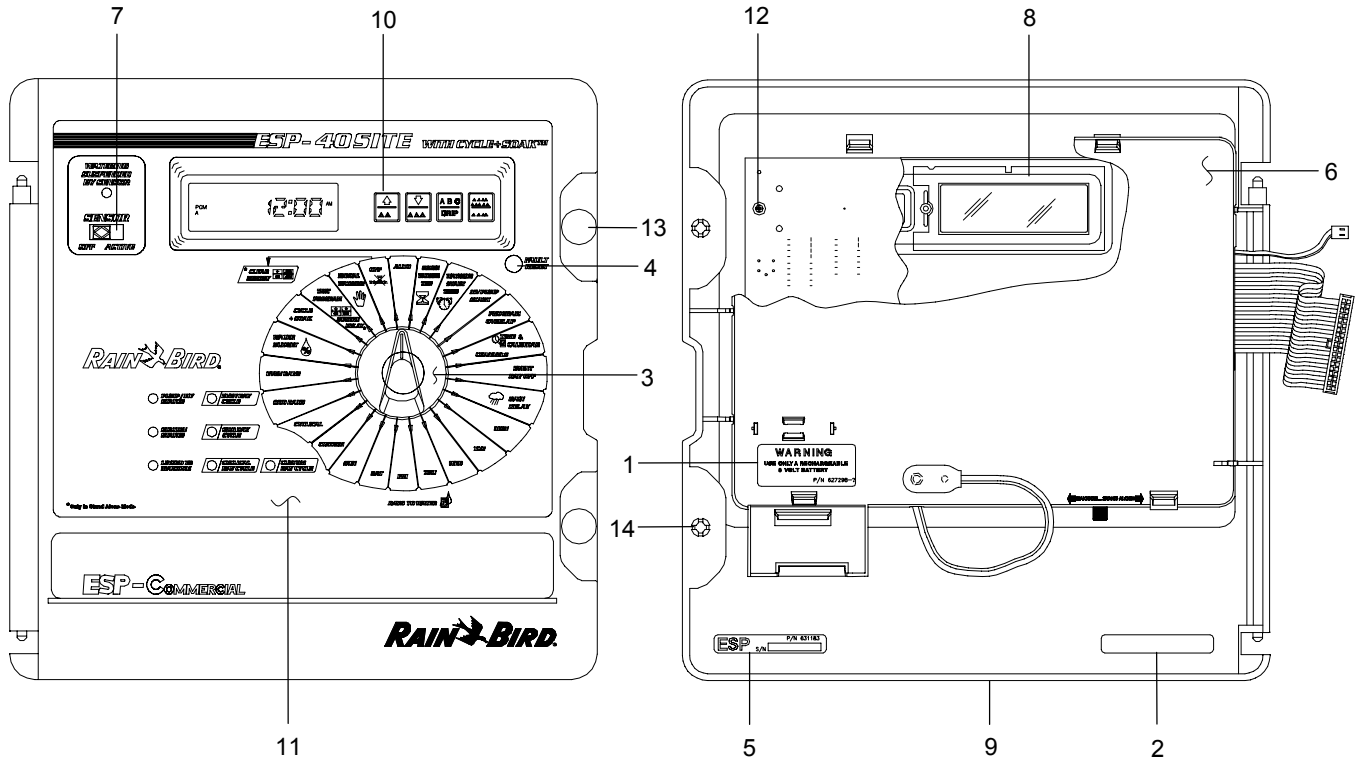
Ref.	Description	Qty.	12	16	24	32	40
<b>CABINET ASSY</b>			(633166-01)	(633166-01)	(633166-01)	(633166-01)	(633166-01)
1	Hinge Slip Joint M	2	(629227-01)	(629227-01)	(629227-01)	(629227-01)	(629227-01)
2	Strike Lock	1	(629234)	(629234)	(629234)	(629234)	(629234)
3	Spacer, Terminal Board	1	(631919)	(631919)	(631919)	(631919)	(631919)
4	Rail, Hinge	1	(631921)	(631921)	(631921)	(631921)	(631921)
5	Rail, Mounting Paragon	1	(631922)	(631922)	(631922)	(631922)	(631922)
6	Cabinet Draw Formed	1	(634126-03)	(634126-03)	(634126-03)	(634126-03)	(634126-03)
7	Washer, Flat #10 .032	4	(650023-13)	(650023-13)	(650023-13)	(650023-13)	(650023-13)
8	Nut, Pl, Hex, #8-32, Cres, Psvtd	2	(650033-04)	(650033-04)	(650033-04)	(650033-04)	(650033-04)
9	Rivet Semi Tubular Oval A	8	(650401)	(650401)	(650401)	(650401)	(650401)
10	Rivet, Blid 0.19	4	(650434-13)	(650434-13)	(650434-13)	(650434-13)	(650434-13)
11	Nut, #8-32 Hex W/Star Washer	2	(650634-04)	(650634-04)	(650634-04)	(650634-04)	(650634-04)
12	Bar Bus Grounding	1	(651440)	(651440)	(651440)	(651440)	(651440)

Note: Part Numbers enclosed in brackets ( ) are not available individually, but may be sold in assemblies or kits.



IESP12SITEW/ IESP16SITEW/ IESP24SITEW/ IESP32SITEW/ IESP40SITEW  
 (METAL WALL MOUNT, INTERNATIONAL, 240 VOLT, 50 Hz)

FRONT PANEL ASSEMBLY

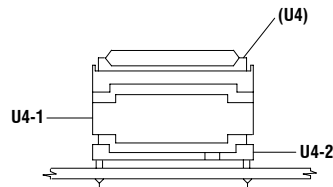
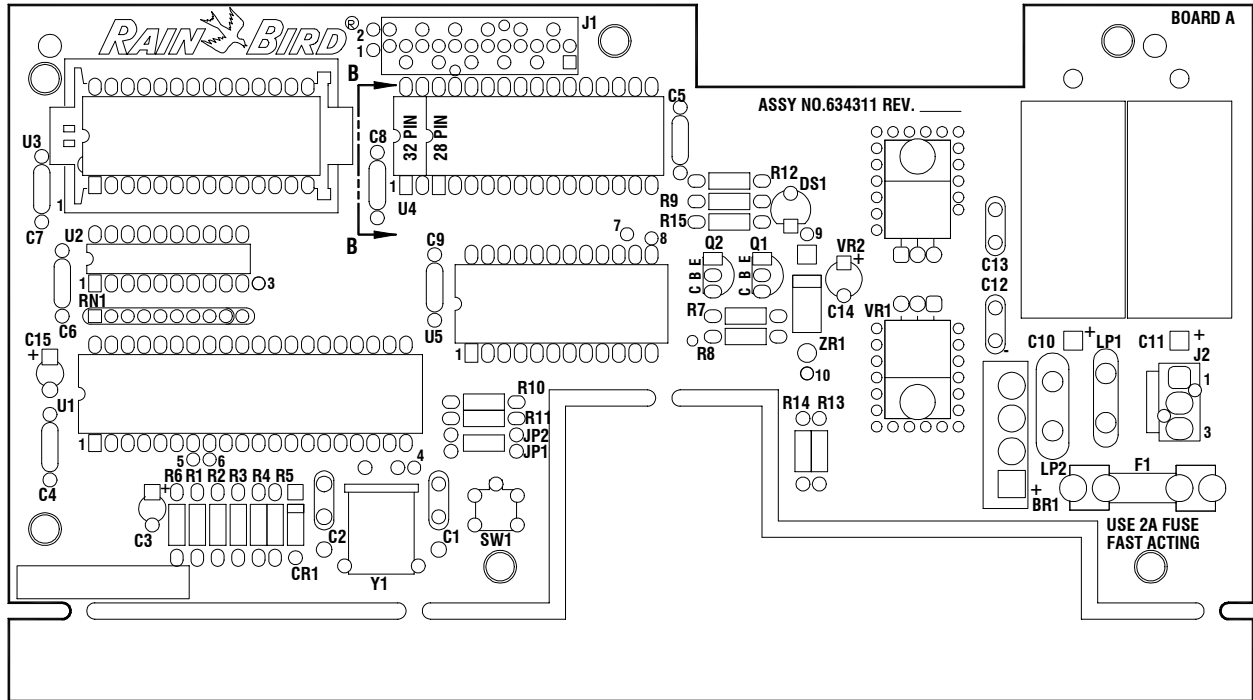


Ref.	Description	Qty.	12	16	24	32	40
<b>FRONT PANEL ASSEMBLY</b>							
			(634402-02)	(634402-03)	(634402-04)	(634402-05)	(634402-06)
1	Label Warning Cic 8/12	1	(627298)	(627298)	(627298)	(627298)	(627298)
2	Label Date Code	1	(627867)	(627867)	(627867)	(627867)	(627867)
3	Funct Select Knob Assy, Gray	1	630946	630946	630946	630946	630946
-	Esp Function Selec Knob, Gray	1	(630947)	(630947)	(630947)	(630947)	(630947)
-	Ring Compression	1	(650505-06)	(650505-06)	(650505-06)	(650505-06)	(650505-06)
4	Button, Tm Pb Switch	1	(631136)	(631136)	(631136)	(631136)	(631136)
5	Label, Serial, Esp	1	(631183)	(631183)	(631183)	(631183)	(631183)
6	Cover, Pwb	1	(631920)	(631920)	(631920)	(631920)	(631920)
7	Switch, Actuator-Paragon	1	(632510)	(632510)	(632510)	(632510)	(632510)
8	Lens, LCD	1	632700	632700	632700	632700	632700
9	Fp/shield Assy-	1	(632906)	(632906)	(632906)	(632906)	(632906)
-	Front Panel Esp-Mc	1	(631918)	(631918)	(631918)	(631918)	(631918)
-	Shield, Front Panel-Esp-C	1	(632897)	(632897)	(632897)	(632897)	(632897)
10	Keypad, Silicone	1	(632908)	(632908)	(632908)	(632908)	(632908)
11	Overlay Front Panel Esp-Site	1	(634401-02)	(634401-03)	(634401-04)	(634401-05)	(634401-06)
12	Screw, 4-24 X 5/16 Hi-Lo W/Wshr	5	(650563-23)	(650563-23)	(650563-23)	(650563-23)	(650563-23)
13	Lock, Plunger	2	(650927-02)	(650927-02)	(650927-02)	(650927-02)	(650927-02)
14	Lock, Grommet	2	(650928-02)	(650928-02)	(650928-02)	(650928-02)	(650928-02)

Note: Part Numbers enclosed in brackets ( ) are not available individually, but may be sold in assemblies or kits.

IESP12SITEW/ IESP16SITEW/ IESP24SITEW/ IESP32SITEW/ IESP40SITEW  
 (METAL WALL MOUNT, INTERNATIONAL, 240 VOLT, 50 Hz)

PWB ASSY ESP-SITE CONTROL UNIT



SECTION B-B

Ref.	Description	Qty.	12	16	24	32	40
<b>PWB ASSY ESP-SITE CONTROL UNIT</b>			(634311)	(634311)	(634311)	(634311)	(634311)
-	Label, Bar Code 39	1	(631356-01)	(631356-01)	(631356-01)	(631356-01)	(631356-01)
U4	IC, SRAM, 128K x 8, CMOS	1	632150	632150	632150	632150	632150
U4-1	IC, Clock/Battery Socket	1	632151	632151	632151	632151	632151
U3	IC, Prom Assy	1	(633614-57)	(633614-57)	(633614-57)	(633614-57)	(633614-57)
-	Printed Wiring Board	1	(634312)	(634312)	(634312)	(634312)	(634312)
C1,2	Capacitor, Ceramic, Disc 30pF, 50V	2	(650012-15)	(650012-15)	(650012-15)	(650012-15)	(650012-15)
C12,13	Capacitor, ceramic, Disc 0.1uF, 500V	2	650013-45	650013-45	650013-45	650013-45	650013-45
LP1,2	Mov 33V, 500A	2	650015	650015	650015	650015	650015

Note: Part Numbers enclosed in brackets ( ) are not available individually, but may be sold in assemblies or kits.

IESP12SITEW/ IESP16SITEW/ IESP24SITEW/ IESP32SITEW/ IESP40SITEW  
(METAL WALL MOUNT, INTERNATIONAL, 240 VOLT, 50 Hz)

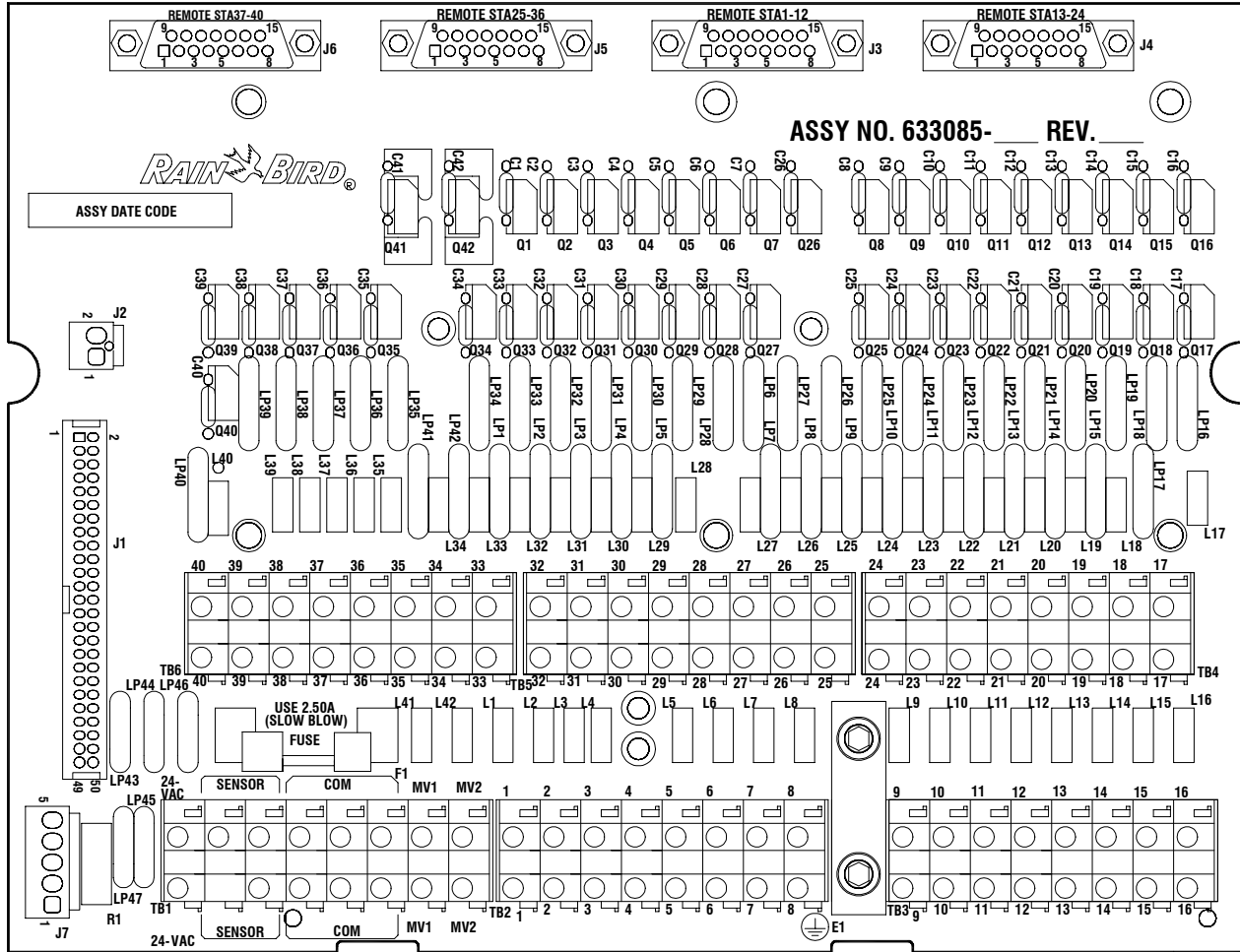
Ref.	Description	Qty.	12	16	24	32	40
<b>PWB ASSY ESP-SITE CONTROL UNIT, CONT.</b>							
CR1	Diode	1	650037-01	650037-01	650037-01	650037-01	650037-01
R9	Resistor, Carbon Film, 1/4W, 1K Ohms	1	(650079-73)	(650079-73)	(650079-73)	(650079-73)	(650079-73)
R1-4, 6-8, 10, 11, 15	Resistor, carbon Film, 1/4W, 10K Ohms	10	(650079-97)	(650079-97)	(650079-97)	(650079-97)	(650079-97)
R5, 12, R13, 14	Resistor, carbon Film, 1/4W, 100K Ohms	4	(650080-22)	(650080-22)	(650080-22)	(650080-22)	(650080-22)
Q1, 2	Transistor, NPN	2	650084	650084	650084	650084	650084
C4-9	Capacitor, ceramic, Axial 0.1uF, 50V	6	(650085-55)	(650085-55)	(650085-55)	(650085-55)	(650085-55)
-	Grease	.01	(650101)	(650101)	(650101)	(650101)	(650101)
-	Rivet, Blind, Dome-Head .125Dia	2	(650139-05)	(650139-05)	(650139-05)	(650139-05)	(650139-05)
F1	Fuse, Mini, .197 Dia	1	(650307-03)	(650307-03)	(650307-03)	(650307-03)	(650307-03)
F1	Minifuse, Clips, .197Dia	2	(650308)	(650308)	(650308)	(650308)	(650308)
VR2	Voltage Regulator, 7805, +5V	1	650332	650332	650332	650332	650332
Y1	Crystal, Quartz 3.600Mhz	1	650334	650334	650334	650334	650334
U3	Socket, PROM Carrier	1	650518-02	650518-02	650518-02	650518-02	650518-02
BR1	Bridge, Rectifier 4A, 200V	1	650581-03	650581-03	650581-03	650581-03	650581-03
C3, 15	Capacitor, Tantalum, Radial 10uF, 25V	2	(650583-07)	(650583-07)	(650583-07)	(650583-07)	(650583-07)
C14	Capacitor Tantalum, Radial	1	650583-09	650583-09	650583-09	650583-09	650583-09
U2	IC, Octal D-Type Latch	1	650611	650611	650611	650611	650611
U4-2	Socket, Dip, Low-Profile 32Pins	1	(650622-11)	(650622-11)	(650622-11)	(650622-11)	(650622-11)
Y1	Wire, 22awg, Auto-Inserted .450Lead	2	(650625-03)	(650625-03)	(650625-03)	(650625-03)	(650625-03)
ZR1	Transient Suppressor	1	650658-01	650658-01	650658-01	650658-01	650658-01
J2	Header, St. Sq., Pin, 3Pos	1	(650893-03)	(650893-03)	(650893-03)	(650893-03)	(650893-03)
DS1	Led, Clear red, Superbright	1	650910	650910	650910	650910	650910
C10, 11	Capacitor, Electrl, Axial, 3300uF, 25V	2	(650954)	(650954)	(650954)	(650954)	(650954)
U1	IC, Microcontroller	1	651031	651031	651031	651031	651031
SW1	Switch, Tact Push	1	(651109)	(651109)	(651109)	(651109)	(651109)
U5	IC, I/O Expander	1	(651294)	(651294)	(651294)	(651294)	(651294)
J1	Box Connector Strip 12Pos	1	(651309-11)	(651309-11)	(651309-11)	(651309-11)	(651309-11)
RN1	Resistor, Network, 9Pins 10K Ohms	1	(651310)	(651310)	(651310)	(651310)	(651310)
VR1	Voltage Regulator, 7812 +12V, 1A	1	(651352)	(651352)	(651352)	(651352)	(651352)

Note: Part Numbers enclosed in brackets ( ) are not available individually, but may be sold in assemblies or kits.



IESP12SITEW/ IESP16SITEW/ IESP24SITEW/ IESP32SITEW/ IESP40SITEW  
(METAL WALL MOUNT, INTERNATIONAL, 240 VOLT, 50 Hz)

PWB ASSY TERMINAL



Ref.	Description	Qty.	12	16	24	32	40
<b>PWB ASSY TERMINAL</b>							
			(633085-08)	(633085-09)	(633085-10)	(633085-11)	(633085-12)
LP45,47	Mov 56V,1000A	2	624624	624624	624624	624624	624624
LP46	Mov 56V,1000A	1	624624	624624	624624	624624	624624
-	Label, Bar Code 39	1	(631356-01)	(631356-01)	(631356-01)	(631356-01)	(631356-01)
-	Printed Wiring Board	1	(633086)	(633086)	(633086)	(633086)	(633086)
-	Solder	.001	(650160)	(650160)	(650160)	(650160)	(650160)
L1-8, L41,L42	Inductor, Ferrite Bead	10	650300-05	650300-05	650300-05	650300-05	650300-05
L9-12	Inductor, Ferrite Bead	4	650300-05	650300-05	650300-05	650300-05	650300-05
L13-16	Inductor, Ferrite Bead	4	-	650300-05	650300-05	650300-05	650300-05
L17-24	Inductor, Ferrite Bead	8	-	-	650300-05	650300-05	650300-05
L25-32	Inductor, Ferrite Bead	8	-	-	-	650300-05	650300-05

Note: Part Numbers enclosed in brackets ( ) are not available individually, but may be sold in assemblies or kits.

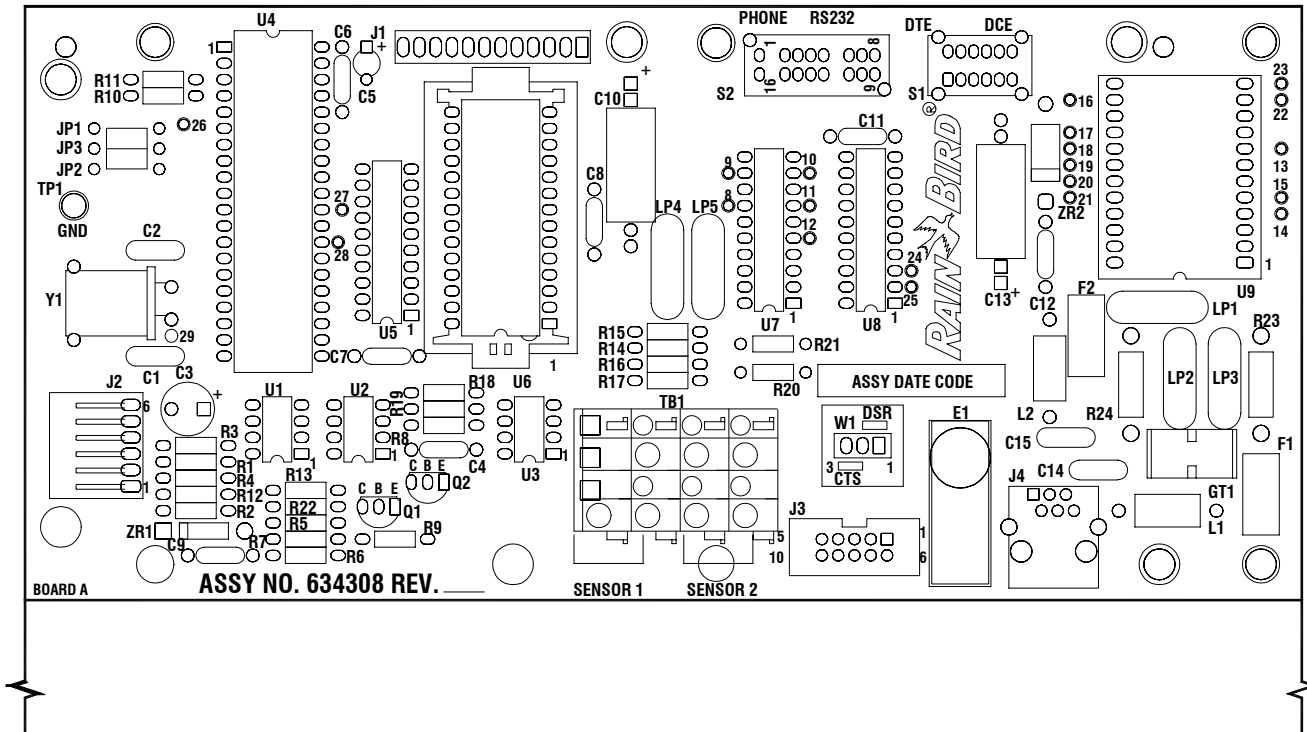
IESP12SITEW/ IESP16SITEW/ IESP24SITEW/ IESP32SITEW/ IESP40SITEW  
(METAL WALL MOUNT, INTERNATIONAL, 240 VOLT, 50 Hz)

Ref.	Description	Qty.	12	16	24	32	40
<b>PWB ASSY TERMINAL, CONT.</b>							
L33-40	Inductor, Ferrite Bead	8	-	-	-	-	650300-05
-	Mini Fuse Clips .197 Dia	2	(650308)	(650308)	(650308)	(650308)	(650308)
J3	Connector, DB15S 15Pins	1	(650610-06)	(650610-06)	(650610-06)	(650610-06)	(650610-06)
J4	Connector, DB15S 15Pins	1	-	(650610-06)	(650610-06)	(650610-06)	(650610-06)
J5	Connector, DB15S 15Pins	1	-	-	-	(650610-06)	(650610-06)
J6	Connector, DB15S 15Pins	1	-	-	-	-	(650610-06)
J3	Jack Socket Kit	1	(650620)	(650620)	(650620)	(650620)	(650620)
J4	Jack Socket Kit	1	-	(650620)	(650620)	(650620)	(650620)
J5	Jack Socket Kit	1	-	-	-	(650620)	(650620)
J6	Jack Socket Kit	1	-	-	-	-	(650620)
R1	Resistor,2%,2W,.1Ohm	1	(650766-01)	(650766-01)	(650766-01)	(650766-01)	(650766-01)
LP1-8 LP41,42	Mov 20MM 47V,2000A	10	650796	650796	650796	650796	650796
LP9-12	Mov 20MM 47V,2000A	4	650796	650796	650796	650796	650796
LP13-16	Mov 20MM 47V,2000A	4	-	650796	650796	650796	650796
LP17-24	Mov 20MM 47V,2000A	8	-	-	650796	650796	650796
LP25-32	Mov 20MM 47V,2000A	8	-	-	-	650796	650796
LP33-40	Mov 20MM 47V,2000A	8	-	-	-	-	650796
J1	Header,Polzd.,.100Ctrs. 50Pins.	1	(650872-50)	(650872-50)	(650872-50)	(650872-50)	(650872-50)
LP44	Mov 47V,1000A	1	650875	650875	650875	650875	650875
C1-8 C41,42	Capacitor Ceramic Axial .01uF,100V	10	(650882-01)	(650882-01)	(650882-01)	(650882-01)	(650882-01)
C9-12	Capacitor Ceramic Axial .01uF,100V	4	(650882-01)	(650882-01)	(650882-01)	(650882-01)	(650882-01)
C13-16	Capacitor Ceramic Axial .01uF,100V	4	-	(650882-01)	(650882-01)	(650882-01)	(650882-01)
C17-24	Capacitor Ceramic Axial .01uF,100V	8	-	-	(650882-01)	(650882-01)	(650882-01)
C25-32	Capacitor Ceramic Axial .01uF,100V	8	-	-	-	(650882-01)	(650882-01)
C33-40	Capacitor Ceramic Axial .01uF,100V	8	-	-	-	-	(650882-01)
-	Mini Fuse .197Dia 2.5 Amp	1	650966-14	650966-14	650966-14	650966-14	650966-14
TB1,2	Terminal Block .300spc 1Pos	16	(651000-01)	(651000-01)	(651000-01)	(651000-01)	(651000-01)
TB3	Terminal Block .300spc 1Pos	8	(651000-01)	(651000-01)	(651000-01)	(651000-01)	(651000-01)
TB4	Terminal Block .300spc 1Pos	8	-	-	(651000-01)	(651000-01)	(651000-01)
TB5	Terminal Block .300spc 1Pos	8	-	-	-	(651000-01)	(651000-01)
TB6	Terminal Block .300spc 1Pos	8	-	-	-	-	(651000-01)
Q1-8 Q41,42	Triac, 6Amps	10	651138	651138	651138	651138	651138
Q9-12	Triac, 6Amps	4	651138	651138	651138	651138	651138
Q13-16	Triac, 6Amps	4	-	651138	651138	651138	651138
Q17-24	Triac, 6Amps	8	-	-	651138	651138	651138
Q25-32	Triac, 6Amps	8	-	-	-	651138	651138
Q33-40	Triac, 6Amps	8	-	-	-	-	651138
LP43	Mov 50V,2500A	1	(651272)	(651272)	(651272)	(651272)	(651272)

Note: Part Numbers enclosed in brackets ( ) are not available individually, but may be sold in assemblies or kits.

IESP12SITEW/ IESP16SITEW/ IESP24SITEW/ IESP32SITEW/ IESP40SITEW  
 (METAL WALL MOUNT, INTERNATIONAL, 240 VOLT, 50 Hz)

PWB ASSY ESP-SITE INTERFACE & MODEM



Ref.	Description	Qty.	12	16	24	32	40
<b>PWB ASSY ESP-SITE INTERFACE &amp; MODEM</b>			(634308)	(634308)	(634308)	(634308)	(634308)
LP1-3	Mov 230Vac,4500A	3	(630386)	(630386)	(630386)	(630386)	(630386)
-	Label. Bar Code 39	1	(631356-01)	(631356-01)	(631356-01)	(631356-01)	(631356-01)
U6	PROM Carrier Assy	1	633323-03	633323-03	633323-03	633323-03	633323-03
-	Printed Wiring board Fabrication	1	(634309)	(634309)	(634309)	(634309)	(634309)
C1,2	Capacitor Ceramic,Disc,30pF,50V	2	(650012-15)	(650012-15)	(650012-15)	(650012-15)	(650012-15)
LP4,5	Mov 33V,500A	2	650015	650015	650015	650015	650015
ZR1	Diode Zener, 5.1V	1	(650038-70)	(650038-70)	(650038-70)	(650038-70)	(650038-70)
C13	Capacitor, Electr1,Axial 100uF,10V	1	(650044-05)	(650044-05)	(650044-05)	(650044-05)	(650044-05)
R1	Resistor,Carbon Film,1/4W 100Ohms	1	650079-49	650079-49	650079-49	650079-49	650079-49
R3,13	Resistor,Carbon Film,1/4W 270Ohms	2	(650079-59)	(650079-59)	(650079-59)	(650079-59)	(650079-59)
R14-17	Resistor,Carbon Film,1/4W 1KOhm	4	(650079-73)	(650079-73)	(650079-73)	(650079-73)	(650079-73)
R2	Resistor,Carbon Film,1/4W 1.5KOhms	1	(650079-77)	(650079-77)	(650079-77)	(650079-77)	(650079-77)
R4,20, R21	Resistor,Carbon Film,1/4W 2KOhms	3	(650079-80)	(650079-80)	(650079-80)	(650079-80)	(650079-80)
R6,8,9, 18,19,22	Resistor,Carbon Film, 1/4W 4.7KOhms	6	650079-89	650079-89	650079-89	650079-89	650079-89

Note: Part Numbers enclosed in brackets ( ) are not available individually, but may be sold in assemblies or kits.

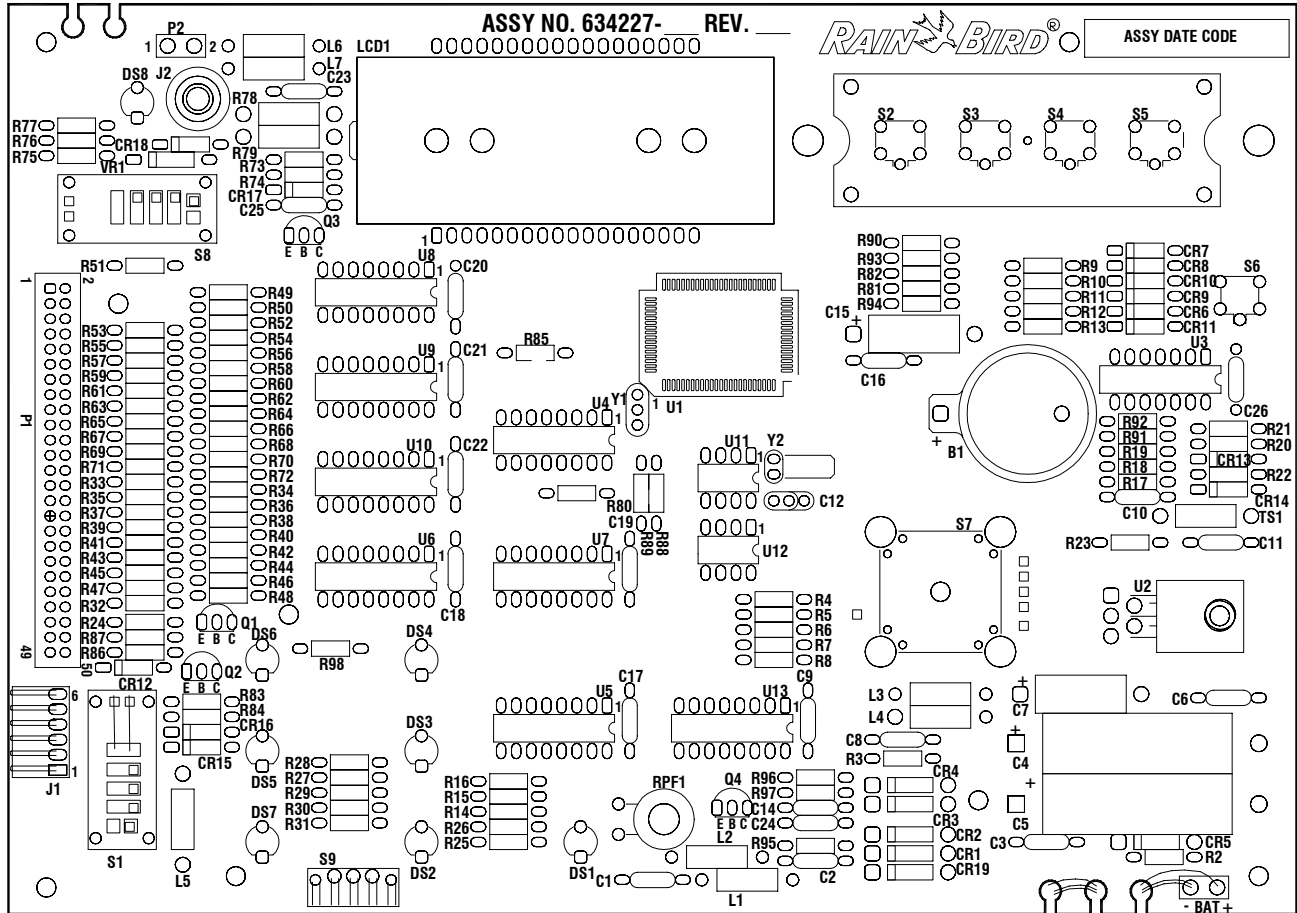
IESP12SITEW/ IESP16SITEW/ IESP24SITEW/ IESP32SITEW/ IESP40SITEW  
(METAL WALL MOUNT, INTERNATIONAL, 240 VOLT, 50 Hz)

Ref.	Description	Qty.	12	16	24	32	40
<b>PWB ASSY ESP-SITE INTERFACE &amp; MODEM, CONT.</b>							
R12	Resistor, Carbon Film, 1/4W 10KOhms	1	(650079-97)	(650079-97)	(650079-97)	(650079-97)	(650079-97)
R5,7,10,R11	Resistor, Carbon Film, 1/4W 47K Ohms	4	(650080-14)	(650080-14)	(650080-14)	(650080-14)	(650080-14)
C10	Capacitor, Electrl, Axial 10uF, 16V	1	(650083-01)	(650083-01)	(650083-01)	(650083-01)	(650083-01)
C4,12	Capacitor, Ceramic, Axial .01uF, 50V	2	650085-31	650085-31	650085-31	650085-31	650085-31
C6-9,11	Capacitor, Ceramic Axial 0.1uF, 50V	5	(650085-55)	(650085-55)	(650085-55)	(650085-55)	(650085-55)
TP1	Test Point, PC Mount	1	(650336-01)	(650336-01)	(650336-01)	(650336-01)	(650336-01)
Q1,2	Transistorm PNP	2	650369	650369	650369	650369	650369
W1	Plug, Shorting	1	(650417)	(650417)	(650417)	(650417)	(650417)
U1,2,3	IC, Opto-Coupler	3	650445	650445	650445	650445	650445
W1	Header, .100Ctrs 3Pins	1	(650454-03)	(650454-03)	(650454-03)	(650454-03)	(650454-03)
L1,2	Inductor Ferrite Bead Lead	2	(650509)	(650509)	(650509)	(650509)	(650509)
C14,15	Capacitor, Ceramic, Radial .005uF, 1KV	2	(650516)	(650516)	(650516)	(650516)	(650516)
U6	Socket, PROM Carrier	1	650518-02	650518-02	650518-02	650518-02	650518-02
U8	IC, RS-232 Driver/Receiver	1	650559	650559	650559	650559	650559
C5	Capacitor, Tantalum, Radial 2.2uF, 25V	1	650583-03	650583-03	650583-03	650583-03	650583-03
C3	Capacitor, Tantalum, Radial 22uF, 25V	1	650583-09	650583-09	650583-09	650583-09	650583-09
S1	Switch, Slide, 4PDT	1	650609	650609	650609	650609	650609
U5	IC, Octal D-Type Latch	1	650611	650611	650611	650611	650611
Y1	Wire, 22Awg, Auto-Inserted .450Lead SP	.55	(650625-03)	(650625-03)	(650625-03)	(650625-03)	(650625-03)
ZR2	Transient Supresor	1	650658-01	650658-01	650658-01	650658-01	650658-01
Y1	Crystal, Quartz 11.059 MHz	1	650721	650721	650721	650721	650721
J3	Header, Low Profile 1- Pos	1	(650872-10)	(650872-10)	(650872-10)	(650872-10)	(650872-10)
TB1	Terminal Block, .300LD SP	4	(651000-01)	(651000-01)	(651000-01)	(651000-01)	(651000-01)
U7	IC, Noninverting Buffer	1	(651001)	(651001)	(651001)	(651001)	(651001)
U9	IC, Modem Module	1	(651002)	(651002)	(651002)	(651002)	(651002)
S2	Switch, Slide, 4P3T	1	(651003)	(651003)	(651003)	(651003)	(651003)
J2	Header, Polzd, Right Angle .098Ctrs	1	(651005-06)	(651005-06)	(651005-06)	(651005-06)	(651005-06)
U4	IC, Microcontroller	1	651031	651031	651031	651031	651031
J1	Board Spacerm .025"Sq.	1	(651308-11)	(651308-11)	(651308-11)	(651308-11)	(651308-11)
J4	Connector, Modular Jask, Low Prof.	1	(651317)	(651317)	(651317)	(651317)	(651317)
F1,2	Polyswitch, Series TR600	2	(651318)	(651318)	(651318)	(651318)	(651318)
R23,24	Resistor, Power metal Film	2	(651322)	(651322)	(651322)	(651322)	(651322)
GT1	Protector, Surge, Spark Gap	1	(651427)	(651427)	(651427)	(651427)	(651427)

Note: Part Numbers enclosed in brackets ( ) are not available individually, but may be sold in assemblies or kits.

IESP12SITEW/ IESP16SITEW/ IESP24SITEW/ IESP32SITEW/ IESP40SITEW  
(METAL WALL MOUNT, INTERNATIONAL, 240 VOLT, 50 Hz)

PWB ASSY ESP-MC ESC-1 CONTROLLER



Ref.	Description	Qty.	12	16	24	32	40
<b>PWB ASSY ESP-MC ESC-1 CONTROLLER</b>							
S7	Switch Rotary	1	(630609)	(630609)	(630609)	(630609)	(630609)
S8	Switch, Slide	1	(630651)	(630651)	(630651)	(630651)	(630651)
-	Label, Bar Code 39	1	(631356-01)	(631356-01)	(631356-01)	(631356-01)	(631356-01)
LCD1	Spacer, LCD	1	(632046)	(632046)	(632046)	(632046)	(632046)
P2	Sensor Cable	1	(632048-01)	(632048-01)	(632048-01)	(632048-01)	(632048-01)
J2	Spring, Shield .70 Long	1	(632898-01)	(632898-01)	(632898-01)	(632898-01)	(632898-01)
LCD1	Liquid, Crystal Display	1	(633087)	(633087)	(633087)	(633087)	(633087)
U1	Microcomp., Toshiba, OTP	1	(633088)	(633088)	(633088)	(633088)	(633088)
P1	Ribbon Cable Assy 50Ckts	1	(633090)	(633090)	(633090)	(633090)	(633090)
-	Printed Wiring Board	1	(634228)	(634228)	(634228)	(634228)	(634228)
C12	Capacitor, ceramic radial 6pF, 50V	1	(650012-04)	(650012-04)	(650012-04)	(650012-04)	(650012-04)
U2	Washer, Flat, carbon Steel	1	(650023-03)	(650023-03)	(650023-03)	(650023-03)	(650023-03)

Note: Part Numbers enclosed in brackets ( ) are not available individually, but may be sold in assemblies or kits.





IESP12SITEW/ IESP16SITEW/ IESP24SITEW/ IESP32SITEW/ IESP40SITEW  
 (METAL WALL MOUNT, INTERNATIONAL, 240 VOLT, 50 Hz)

Ref.	Description	Qty.	12	16	24	32	40
<b>PWB ASSY ESP-MC ESC-1 CONTROLLER, CONT.</b>							
CR6	Diode, Switching	1	650037-01	650037-01	650037-01	650037-01	650037-01
CR7	Diode, Switching	1	650037-01	-	650037-01	-	650037-01
CR8	Diode, Switching	1	-	650037-01	650037-01	-	-
CR9	Diode, Switching	1	-	-	-	650037-01	650037-01
CR11-18	Diode, Switching	8	650037-01	650037-01	650037-01	650037-01	650037-01
VR1	Diode, Zener, 500mW, 5.6V	1	(650038-71)	(650038-71)	(650038-71)	(650038-71)	(650038-71)
C7, 15	Capacitor, Electrolytic, Axial 47uF, 10V	2	(650044-03)	(650044-03)	(650044-03)	(650044-03)	(650044-03)
BAT	Battery Snap 9V	1	650075	650075	650075	650075	650075
CR1-5 C19	Diode, Gen Purpose, 1Amp	6	650077-02	650077-02	650077-02	650077-02	650077-02
R23, 85 R98	Resistor, Carbon Film, 1/4W, 10Ohms	2	(650079-25)	(650079-25)	(650079-25)	(650079-25)	(650079-25)
R49-56 R24, 32,	Resistor, Carbon Film 1/4W, 150Ohms	11	(650079-53)	(650079-53)	(650079-53)	(650079-53)	(650079-53)
R57-60	Resistor, Carbon Film 1/4W, 150Ohms	4	(650079-53)	(650079-53)	(650079-53)	(650079-53)	(650079-53)
R61-64	Resistor, Carbon Film 1/4W, 150Ohms	4	-	(650079-53)	(650079-53)	(650079-53)	(650079-53)
R65-72	Resistor, Carbon Film 1/4W, 150Ohms	8	-	-	(650079-53)	(650079-53)	(650079-53)
R33-40	Resistor, Carbon Film 1/4W, 150Ohms	8	-	-	-	(650079-53)	(650079-53)
R41-48	Resistor, Carbon Film 1/4W, 150Ohms	8	-	-	-	-	(650079-53)
R25-31	Resistor, Carbon Film 1/4W 470Ohms	7	(650079-65)	(650079-65)	(650079-65)	(650079-65)	(650079-65)
R17, 95	Resistor, Carbon Film, 1/4W, 1KOhm	2	(650079-73)	(650079-73)	(650079-73)	(650079-73)	(650079-73)
R76	Resistor, Carbon Film, 1/4W, 2KOhms	1	(650079-80)	(650079-80)	(650079-80)	(650079-80)	(650079-80)
R2	Resistor, Carbon Film, 1/4W 3.3KOhms	1	(650079-85)	(650079-85)	(650079-85)	(650079-85)	(650079-85)
R88-90 R84, 87 R20-22	Resistor, Carbon Film, 1/4W, 4.7KOhms	8	650079-89	650079-89	650079-89	650079-89	650079-89
R92	Resistor, Carbon Film, 1/4W, 8.2KOhms	1	(650079-95)	(650079-95)	(650079-95)	(650079-95)	(650079-95)
R19, 91	Resistor, Carbon Film, 1/4W, 10Kohms	2	(650079-97)	(650079-97)	(650079-97)	(650079-97)	(650079-97)
R83, 86 R18, 80	Resistor, Carbon Film, 1/4W, 47KOhms	4	(650080-14)	(650080-14)	(650080-14)	(650080-14)	(650080-14)
R94 R82, 93, R43, 81 R4-16	Resistor, Carbon Film, 1/4W 100Kohms	18	(650080-22)	(650080-22)	(650080-22)	(650080-22)	(650080-22)
R96, 97 R74, 75 R3	Resistor, Carbon Film, 1/4W, 220KOhms	5	(650080-30)	(650080-30)	(650080-30)	(650080-30)	(650080-30)
C20, 24 C16, 17 C10, 14 C3, 8, 9	Capacitor, Ceramic Axial .1uF, 50V	9	(650085-55)	(650085-55)	(650085-55)	(650085-55)	(650085-55)

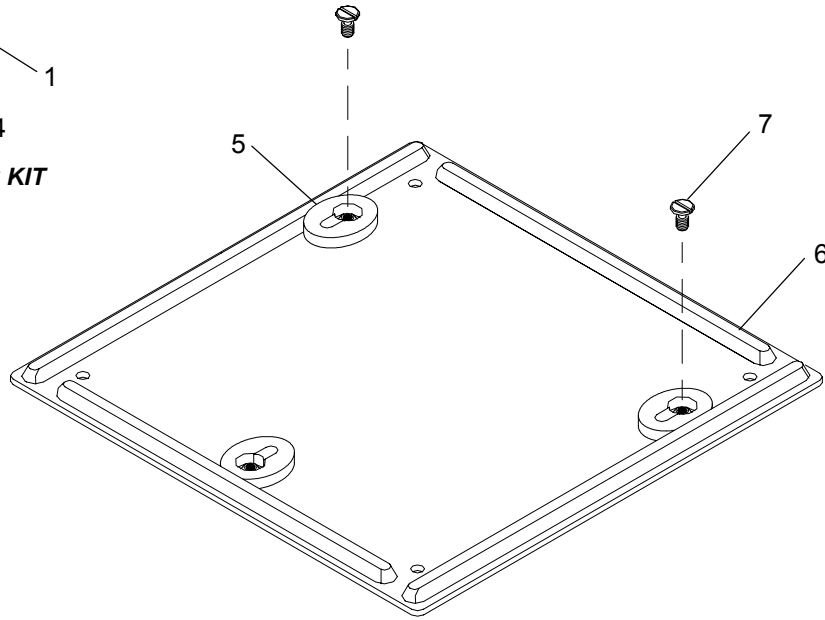
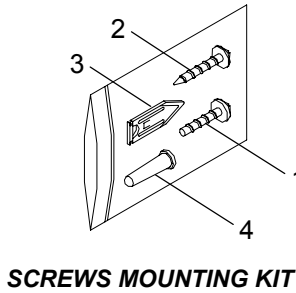
Note: Part Numbers enclosed in brackets ( ) are not available individually, but may be sold in assemblies or kits.

IESP12SITEW/ IESP16SITEW/ IESP24SITEW/ IESP32SITEW/ IESP40SITEW  
(METAL WALL MOUNT, INTERNATIONAL, 240 VOLT, 50 Hz)

Ref.	Description	Qty.	12	16	24	32	40
<b>PWB ASSY ESP-MC ESC-1 CONTROLLER, CONT.</b>							
C21	Capacitor,Ceramic Axial .1uF,50V	1	(650085-55)	(650085-55)	(650085-55)	(650085-55)	(650085-55)
C22	Capacitor,Ceramic Axial .1uF,50V	1	-	-	(650085-55)	(650085-55)	(650085-55)
C18	Capacitor,Ceramic Axial .1uF,50V	1	-	-	-	(650085-55)	(650085-55)
C19	Capacitor,Ceramic Axial .1uF,50V	1	-	-	-	-	(650085-55)
U2	Rivet,Blind Dome HD. .125Dia	1	(650139-05)	(650139-05)	(650139-05)	(650139-05)	(650139-05)
R78,79	Resistor,Carbon Film,1/2W,1KOhms	2	(650202-73)	(650202-73)	(650202-73)	(650202-73)	(650202-73)
L1-7	Inductor,Ferrite Bead	7	650300-05	650300-05	650300-05	650300-05	650300-05
U3	IC Quad OP Amp	1	650358	650358	650358	650358	650358
Q3,4	Transistor,NPN, 624mW	2	650367	650367	650367	650367	650367
Q1,2	Transistor,PNP	2	650369	650369	650369	650369	650369
Y2	Crystal,Quartz 32.768KHz	1	(650484)	(650484)	(650484)	(650484)	(650484)
TS1	Transient Suppressor 6.8V	1	(650595-01)	(650595-01)	(650595-01)	(650595-01)	(650595-01)
C5	Capacitor,Electrolyt,Axial 330uF,25V	1	(650624)	(650624)	(650624)	(650624)	(650624)
U4	3-8 Line Decoder	1	650699	650699	650699	650699	650699
S2,3,4 S5,6	Switch, Pushbutton	5	(650748)	(650748)	(650748)	(650748)	(650748)
C23,25 C1,2,11	Capacitor,ceramic Axial .01uF,100V	5	(650882-01)	(650882-01)	(650882-01)	(650882-01)	(650882-01)
C6	Capacitor,NPO,Axial 10pF,100V	1	(650883-13)	(650883-13)	(650883-13)	(650883-13)	(650883-13)
C26	Capacitor,NPO,Axial 220pF,100V	1	(650883-17)	(650883-17)	(650883-17)	(650883-17)	(650883-17)
U5,8	8Bit Addressable Latch	2	650889	650889	650889	650889	650889
U9	8Bit Addressable Latch	1	650889	650889	650889	650889	650889
U10	8Bit Addressable Latch	1	-	-	650889	650889	650889
U6	8Bit Addressable Latch	1	-	-	-	650889	650889
U7	8Bit Addressable Latch	1	-	-	-	-	650889
DS1-8	Led,red,.200Ctrs.	8	650910	650910	650910	650910	650910
U2	Regulator,Low Dropout	1	(650962)	(650962)	(650962)	(650962)	(650962)
J2	Eyelet, Spring	1	(650985)	(650985)	(650985)	(650985)	(650985)
J1	Header,Polzd.Radial,.100Ctrs 6Pins	1	(651005-06)	(651005-06)	(651005-06)	(651005-06)	(651005-06)
B1	Battery, Lithium	1	(651009)	(651009)	(651009)	(651009)	(651009)
B1	Holder,Battery Coin	1	(651010)	(651010)	(651010)	(651010)	(651010)
U11	IC,Real Time Clock	1	(651011)	(651011)	(651011)	(651011)	(651011)
U12	IC,EEPROM-4K Byte, Serial	1	(651012)	(651012)	(651012)	(651012)	(651012)
Y1	Resonator,ceramic 8.00MHz	1	(651013)	(651013)	(651013)	(651013)	(651013)
U13	IC,8Bit Input Mux	1	(651014)	(651014)	(651014)	(651014)	(651014)
C4	Capacitor,Electrolyt,Axial 1000uF,25V	1	(651054-12)	(651054-12)	(651054-12)	(651054-12)	(651054-12)
RPF1	Polyswitch,RXE,60V,.65A	1	(651055-08)	(651055-08)	(651055-08)	(651055-08)	(651055-08)
S9	Switch Slide	1	(651292)	(651292)	(651292)	(651292)	(651292)

Note: Part Numbers enclosed in brackets ( ) are not available individually, but may be sold in assemblies or kits.

IESP12SITEW/ IESP16SITEW/ IESP24SITEW/ IESP32SITEW/ IESP40SITEW  
 (METAL WALL MOUNT, INTERNATIONAL, 240 VOLT, 50 Hz)

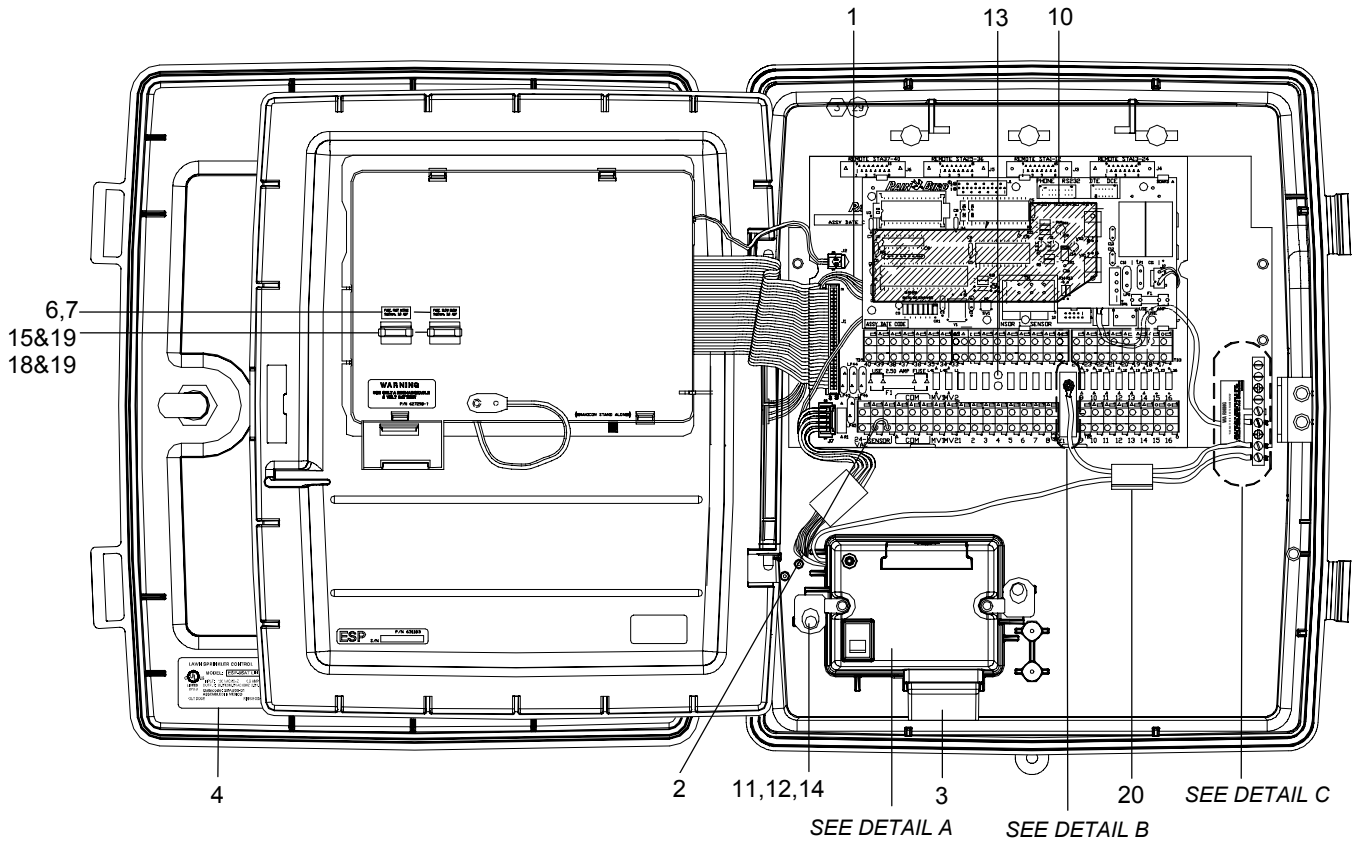


Ref.	Description	Qty.	12	16	24	32	40
<b>ACCESSORIES</b>							
-	Screws, Mounting, Kit	1	(633182)	(633182)	(633182)	(633182)	(633182)
1	Screw Pan HD, #10 X 1/4"	2	(650754-55)	(650754-55)	(650754-55)	(650754-55)	(650754-55)
-	Bag, Zip Lock 3x4	1	(650924-03)	(650924-03)	(650924-03)	(650924-03)	(650924-03)
2	Screw, Trhd Phil, Type A, 1 1/4"	4	(651021-16)	(651021-16)	(651021-16)	(651021-16)	(651021-16)
3	Anchor, Wall, Hammer Drive	4	(651022)	(651022)	(651022)	(651022)	(651022)
4	Plastic Anchor 10-12 x 1"	4	(651393-03)	(651393-03)	(651393-03)	(651393-03)	(651393-03)
-	Instruction, Installation & Oper	1	633686	633686	633686	633686	633686
-	Guide, Operations addendum	1	633942	633942	633942	633942	633942
-	Cable Assy., Modem-Site	1	(634356)	(634356)	(634356)	(634356)	(634356)
-	Manual Addendum, Esp-Site	1	634482	634482	634482	634482	634482
-	Poster, Installation Instructions	1	634529	634529	634529	634529	634529
-	Mounting Plate Assy, WM Cabinet	1	(635005-02)	(635005-02)	(635005-02)	(635005-02)	(635005-02)
5	Washer, Epdm, Flat	3	(633274)	(633274)	(633274)	(633274)	(633274)
-	Mount Bracket Assy	1	(634594-02)	(634594-02)	(634594-02)	(634594-02)	(634594-02)
6	Mount Bracket	1	(634484)	(634484)	(634484)	(634484)	(634484)
7	Stand-Off Screw S.S.	2	(634538-02)	(634538-02)	(634538-02)	(634538-02)	(634538-02)
-	Bag, Zip Lock 2.5x3	2	(650924-01)	(650924-01)	(650924-01)	(650924-01)	(650924-01)
-	Battery, Micad 7.2V	1	650929	650929	650929	650929	650929
-	Cable Tie, Nylon 7/8 Bundle	1	650131	650131	650131	650131	650131

Note: Part Numbers enclosed in brackets ( ) are not available individually, but may be sold in assemblies or kits.

IESP12SITEP/ IESP16SITEP/ IESP24SITEP/ IESP32SITEP/ IESP40SITEP  
 (PLASTIC WALL MOUNT, INTERNATIONAL, 240 VOLT, 50 Hz)

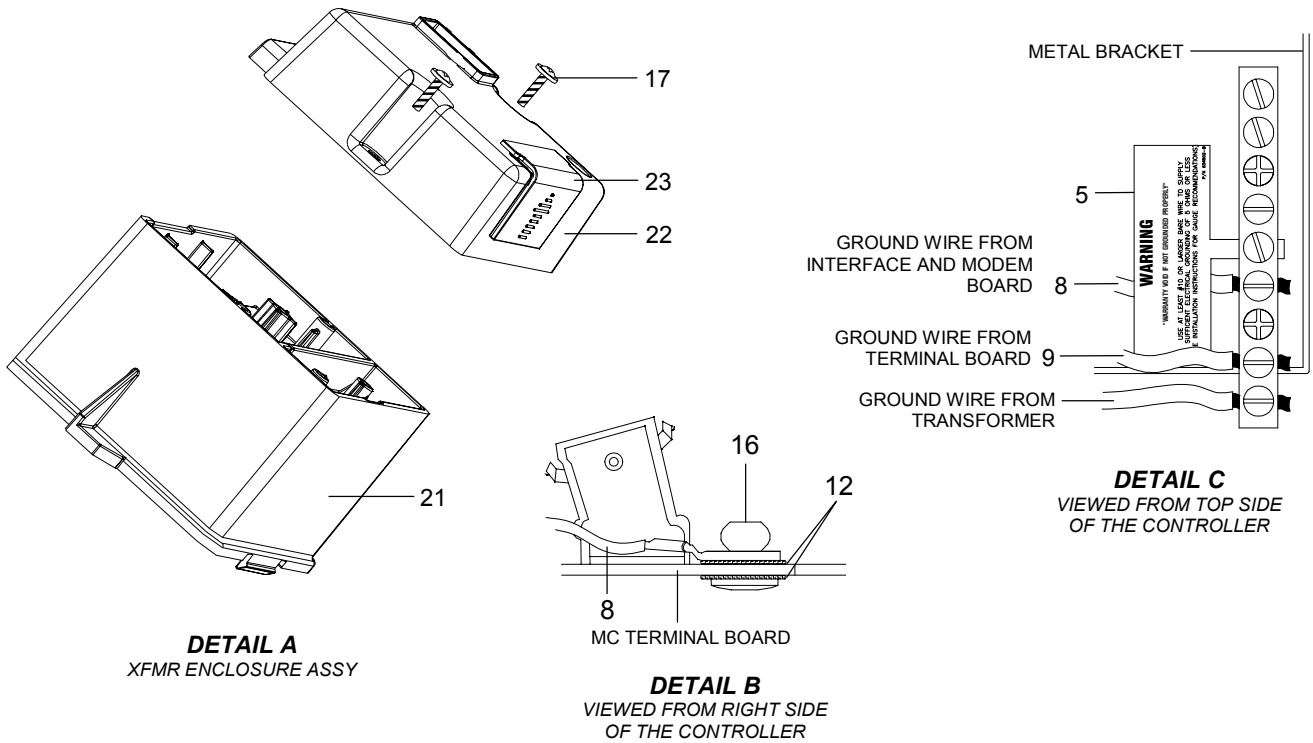
CONTROLLER ASSEMBLY



Ref.	Description	Qty.	12	16	24	32	40
<b>CONTROLLER ASSEMBLY</b>			(635067-08)	(635067-09)	(635067-10)	(635067-11)	(635067-12)
-	Card, Costumer Registration-Tm	1	(632354)	(632354)	(632354)	(632354)	(632354)
1	Cable Assy, 2Wire/Link Intfc-mc	1	(633132)	(633132)	(633132)	(633132)	(633132)
2	Sensor Jumper Wire-Esplx+	1	(633442)	(633442)	(633442)	(633442)	(633442)
-	Label, Caution	1	(633657)	(633657)	(633657)	(633657)	(633657)
3	Cover, Ac Mains	1	(633821)	(633821)	(633821)	(633821)	(633821)
-	Hinge, Piano Wire	1	(633826)	(633826)	(633826)	(633826)	(633826)
4	Label, Rating	1	(634385-26)	(634385-26)	(634385-26)	(634385-26)	(634385-26)
5	Label Warning Grounding Esp-Mc	1	(634502)	(634502)	(634502)	(634502)	(634502)
-	Label, Warning Corrosion Ihhibitor	1	(634558)	(634558)	(634558)	(634558)	(634558)
6	Label, Fuse 2.5 Amp	1	(634615)	(634615)	(634615)	(634615)	(634615)
7	Label, Fuse 2.0 Amp.	1	(634616)	(634616)	(634616)	(634616)	(634616)
8	Ground Wire Assy 12 Awg (8)	1	(634943-08)	(634943-08)	(634943-08)	(634943-08)	(634943-08)
9	Ground Wire Assy 12 Awg (11)	1	(634943-11)	(634943-11)	(634943-11)	(634943-11)	(634943-11)
10	Pwb Foam, Esp Site-P	1	(635101)	(635101)	(635101)	(635101)	(635101)
11	Bracket, Xfmr Enclosure	2	(635112)	(635112)	(635112)	(635112)	(635112)
12	Washer Lock, #10, Ext-Tooth, Z-Pltd	6	(650162-04)	(650162-04)	(650162-04)	(650162-04)	(650162-04)
13	Screw Phillipsl Pnh Hi-Lo 7-19x 1/2	3	(650183-63)	(650183-63)	(650183-63)	(650183-63)	(650183-63)
14	Screw, Pnh, Hi-Lo, Cs	2	(650249-16)	(650249-16)	(650249-16)	(650249-16)	(650249-16)

Note: Part Numbers enclosed in brackets ( ) are not available individually, but may be sold in assemblies or kits.

IESP12SITEP/ IESP16SITEP/ IESP24SITEP/ IESP32SITEP/ IESP40SITEP  
 (PLASTIC WALL MOUNT, INTERNATIONAL, 240 VOLT, 50 Hz)

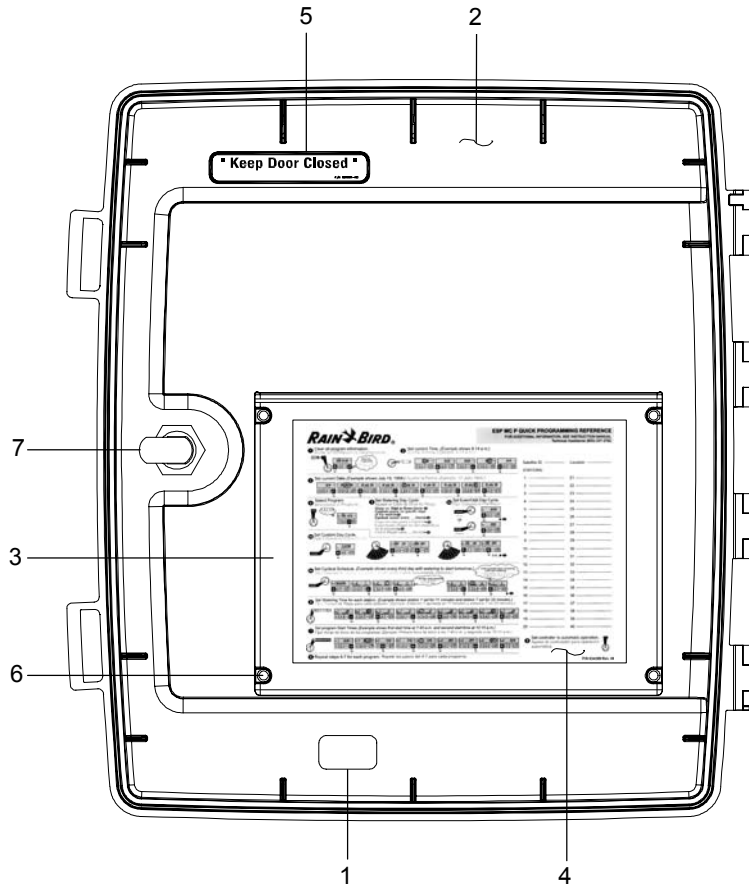


Ref.	Description	Qty.	12	16	24	32	40
<b>CONTROLLER ASSEMBLY, CONT.</b>							
15	Fuse 5x20Mm 2Amps	1	(650307-03)	(650307-03)	(650307-03)	(650307-03)	(650307-03)
16	Rivet, Blid 0.19	2	(650434-13)	(650434-13)	(650434-13)	(650434-13)	(650434-13)
17	Screw, 6-19 x 7/16 Hi-Lo W/Wshr	2	(650563-47)	(650563-47)	(650563-47)	(650563-47)	(650563-47)
-	Spacer, Circuit Board, Edge Hold.	6	(650912-05)	(650912-05)	(650912-05)	(650912-05)	(650912-05)
-	Spacer, Circuit Board, Edge Hold	6	(650912-10)	(650912-10)	(650912-10)	(650912-10)	(650912-10)
18	Fuse, 5x20Mm, Slow Blow 2 1/2Amp	1	650966-14	650966-14	650966-14	650966-14	650966-14
-	Impregnated Foam Corrosion Inhibito	1	(651331)	(651331)	(651331)	(651331)	(651331)
19	Holder Fuse	2	(651384)	(651384)	(651384)	(651384)	(651384)
20	Wire Clip With Adhesive	1	(651446-02)	(651446-02)	(651446-02)	(651446-02)	(651446-02)
<b>XFMR ENCLOSURE ASSY</b>			634383-02	634383-02	634383-02	634383-02	634383-02
21	Enclosure, Transformer Top Im	1	(633777)	(633777)	(633777)	(633777)	(633777)
22	Cover, High Voltage Board	1	(633778)	(633778)	(633778)	(633778)	(633778)
23	Cover, Fuse Pcb, Im	1	(633779)	(633779)	(633779)	(633779)	(633779)
-	Enclosure, Transformer Bottom	1	(633822)	(633822)	(633822)	(633822)	(633822)
-	Xfmr Power 120.230 Vac	1	(634238)	(634238)	(634238)	(634238)	(634238)
-	Screw 6-20 625L Slf Tpg	2	(650104-24)	(650104-24)	(650104-24)	(650104-24)	(650104-24)
-	Closed End, Splice	1	(650828)	(650828)	(650828)	(650828)	(650828)
-	Terminal Block	1	(651382)	(651382)	(651382)	(651382)	(651382)
<b>ACCESORIES</b>							
-	Instructions, Installation & Opert	1	633686	633686	633686	633686	633686
-	Guide, Operations Addendum	1	(633942)	(633942)	(633942)	(633942)	(633942)
-	Manual Addendum	1	(634482)	(634482)	(634482)	(634482)	(634482)
-	Poster, Installation Inst. Mc-P	1	(634728)	(634728)	(634728)	(634728)	(634728)

Note: Part Numbers enclosed in brackets ( ) are not available individually, but may be sold in assemblies or kits.

IESP12SITEP/ IESP16SITEP/ IESP24SITEP/ IESP32SITEP/ IESP40SITEP  
 (PLASTIC WALL MOUNT, INTERNATIONAL, 240 VOLT, 50 Hz)

**DOOR ASSEMBLY**

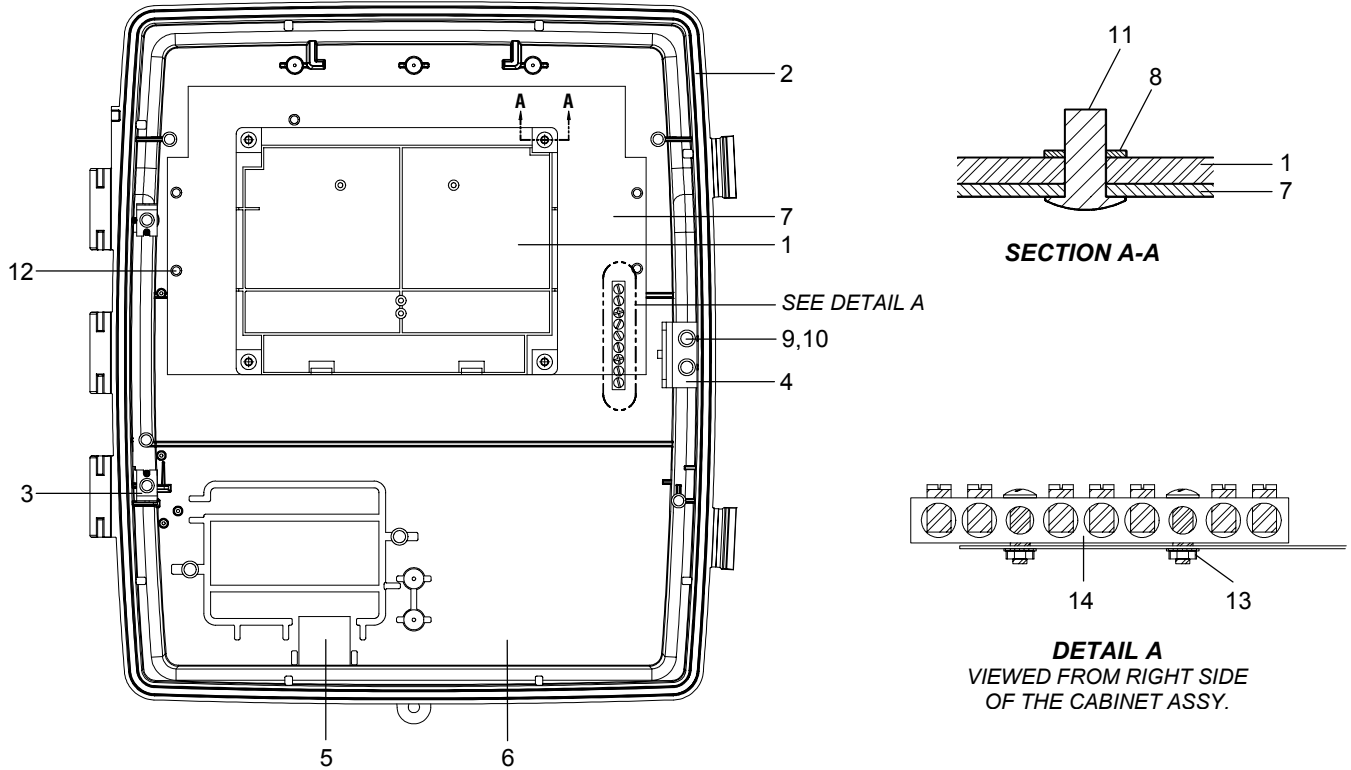


Ref.	Description	Qty.	12	16	24	32	40
<b>DOOR ASSEMBLY</b>			(634384)	(634384)	(634384)	(634384)	(634384)
1	Label Fcc Compliance	1	(629941)	(629941)	(629941)	(629941)	(629941)
2	Enclosure Cabinet Top	1	(633781-01)	(633781-01)	(633781-01)	(633781-01)	(633781-01)
3	Pocket, Cabinet Top	1	(633783-01)	(633783-01)	(633783-01)	(633783-01)	(633783-01)
4	Quick Prog. Guide	1	634389	634389	634389	634389	634389
5	Label, Keep Door Closed	1	(634501)	(634501)	(634501)	(634501)	(634501)
6	Screw, 6-19 x 7/16 Hi-lo W/Wshr	4	(650563-47)	(650563-47)	(650563-47)	(650563-47)	(650563-47)
7	Lock, Cam	1	650755	650755	650755	650755	650755

Note: Part Numbers enclosed in brackets ( ) are not available individually, but may be sold in assemblies or kits.

IESP12SITEP/ IESP16SITEP/ IESP24SITEP/ IESP32SITEP/ IESP40SITEP  
 (PLASTIC WALL MOUNT, INTERNATIONAL, 240 VOLT, 50 Hz)

CABINET ASSEMBLY

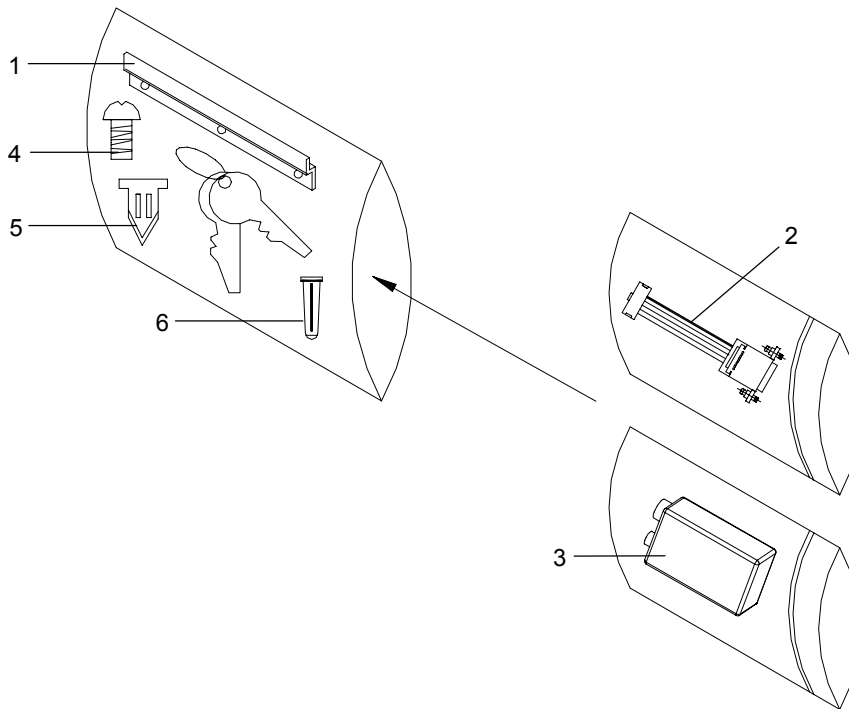


Ref.	Description	Qty.	12	16	24	32	40
<b>CABINET ASSEMBLY</b>			(634381)	(634381)	(634381)	(634381)	(634381)
1	Spacer, Terminal Board	1	(631919)	(631919)	(631919)	(631919)	(631919)
2	Gasket, Foam	1	(633402)	(633402)	(633402)	(633402)	(633402)
3	Hinge, Stamping	2	(633403)	(633403)	(633403)	(633403)	(633403)
4	Hasp Door Lock	1	(633405)	(633405)	(633405)	(633405)	(633405)
-	Bracket, Wall Mount	1	(633406)	(633406)	(633406)	(633406)	(633406)
5	Wiring Insulator Compartment	1	(633407)	(633407)	(633407)	(633407)	(633407)
6	Enclosure, Cabinet Bottom	1	(633780-01)	(633780-01)	(633780-01)	(633780-01)	(633780-01)
7	Bracket	1	(634291)	(634291)	(634291)	(634291)	(634291)
8	Washer, Flat #10 .032	4	(650023-13)	(650023-13)	(650023-13)	(650023-13)	(650023-13)
9	Washer Lk, #8, Ext-tooth, Z-Pltd	4	(650162-03)	(650162-03)	(650162-03)	(650162-03)	(650162-03)
10	Screw Phl Pnh Hi-Lo 4-24x1/4	4	(650183-78)	(650183-78)	(650183-78)	(650183-78)	(650183-78)
-	Screw, Pnh, Hi-Lo. Cs	3	(650249-71)	(650249-71)	(650249-71)	(650249-71)	(650249-71)
11	Rivet, Blind 0.19	4	(650434-13)	(650434-13)	(650434-13)	(650434-13)	(650434-13)
12	Screw, 5-20 x 3/8 Hi-Lo W/Wshr	5	(650563-36)	(650563-36)	(650563-36)	(650563-36)	(650563-36)
13	Nut, #8-32 Hex W/Star Washer	2	(650634-04)	(650634-04)	(650634-04)	(650634-04)	(650634-04)
14	Bar Bus Grounding	2	(651440)	(651440)	(651440)	(651440)	(651440)

Note: Part Numbers enclosed in brackets ( ) are not available individually, but may be sold in assemblies or kits.

IESP12SITEP/ IESP16SITEP/ IESP24SITEP/ IESP32SITEP/ IESP40SITEP  
 (PLASTIC WALL MOUNT, INTERNATIONAL, 240 VOLT, 50 Hz)

**COLLATERAL PACKAGE**



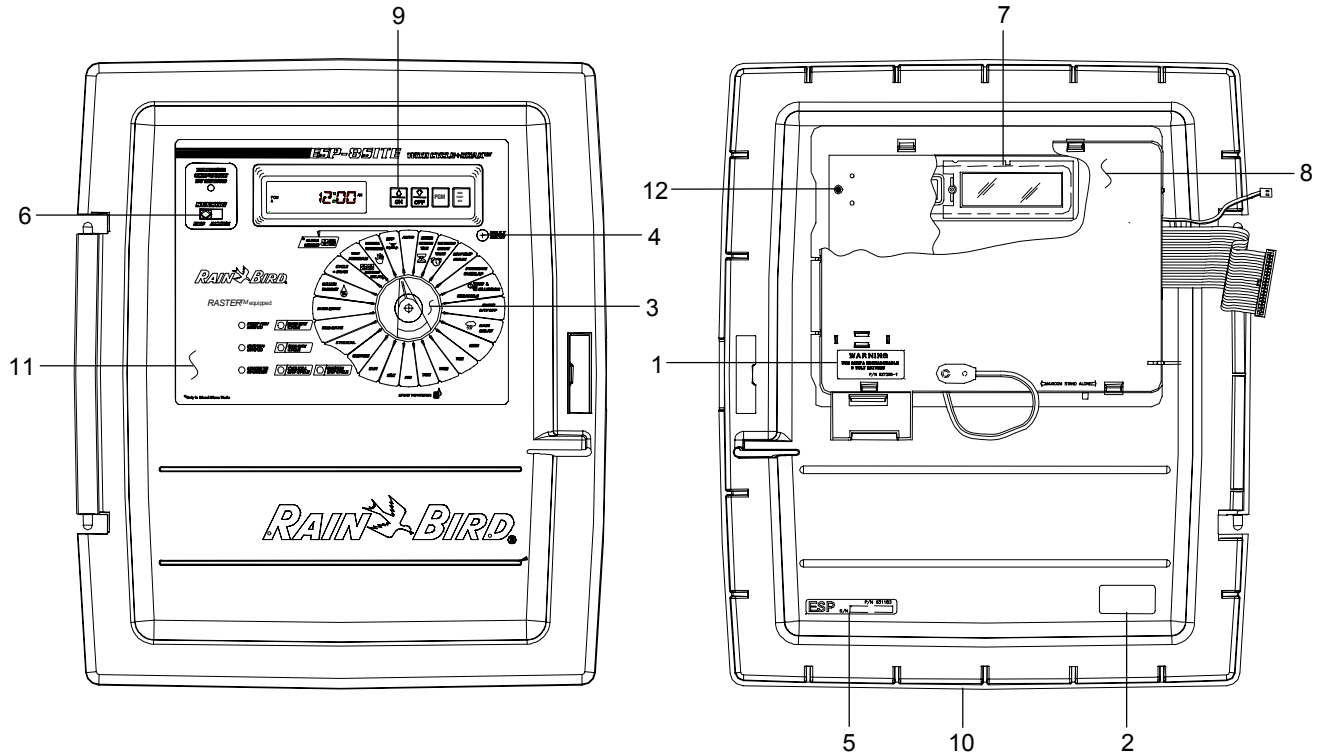
Ref.	Description	Qty.	12	16	24	32	40
<b>COLLATERAL PACKAGE</b>			(634379-02)	(634379-02)	(634379-02)	(634379-02)	(634379-02)
-	Bag, Poly	1	(628282-17)	(628282-17)	(628282-17)	(628282-17)	(628282-17)
1	Bracket, Wall Mount	1	(633406)	(633406)	(633406)	(633406)	(633406)
2	Cable Assy, Modem-Site	1	(634356)	(634356)	(634356)	(634356)	(634356)
-	Bag, Zip Lock. 2.5x3	2	(650924-01)	(650924-01)	(650924-01)	(650924-01)	(650924-01)
3	Battery, Nicad 7.2V	1	650929	650929	650929	650929	650929
4	Screw, Trhd Phil, Type A, 1 1/4	4	(651021-16)	(651021-16)	(651021-16)	(651021-16)	(651021-16)
5	Anchor, Wall, Hammer Drive	4	(651022)	(651022)	(651022)	(651022)	(651022)
6	Plastic Anchor 10-12 x 1"	4	(651393-03)	(651393-03)	(651393-03)	(651393-03)	(651393-03)

Note: Part Numbers enclosed in brackets ( ) are not available individually, but may be sold in assemblies or kits.



IESP12SITEP/ IESP16SITEP/ IESP24SITEP/ IESP32SITEP/ IESP40SITEP  
 (PLASTIC WALL MOUNT, INTERNATIONAL, 240 VOLT, 50 Hz)

**FRONT PANEL ASSEMBLY**

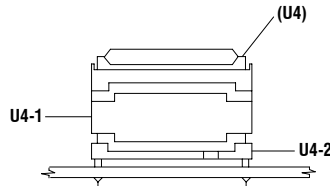
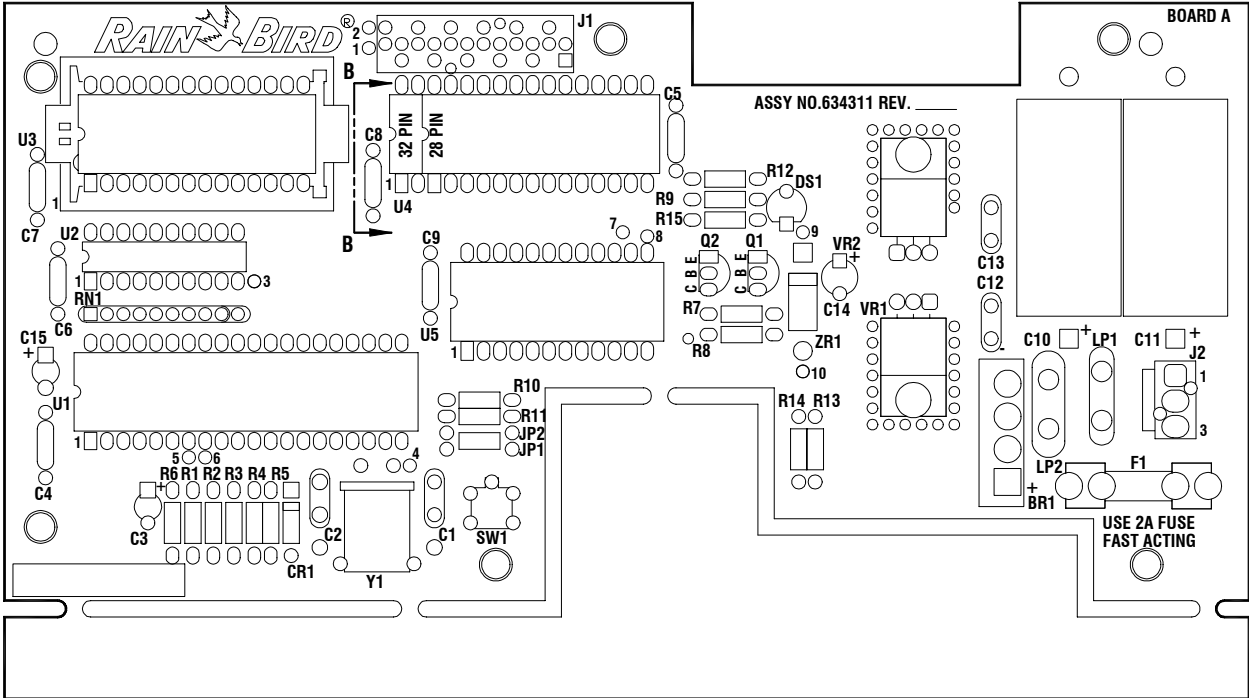


Ref.	Description	Qty.	12	16	24	32	40
<b>FRONT PANEL ASSEMBLY</b>			(635066-02)	(635066-03)	(635066-04)	(635066-05)	(635066-06)
1	Label Warning Cic 8/12	1	(627298)	(627298)	(627298)	(627298)	(627298)
2	Label Date Code	1	(627867)	(627867)	(627867)	(627867)	(627867)
3	Function Select Knob Assy, Gray	1	630946	630946	630946	630946	630946
-	Esp Funct Select Knob, Gray	1	(630947)	(630947)	(630947)	(630947)	(630947)
-	Ring Compression	1	(650505-06)	(650505-06)	(650505-06)	(650505-06)	(650505-06)
4	Button, Tm Pb Switch	1	(631136)	(631136)	(631136)	(631136)	(631136)
5	Label, Serial, Esp	1	(631183)	(631183)	(631183)	(631183)	(631183)
6	Switch, Actuator-Paragon	1	(632510)	(632510)	(632510)	(632510)	(632510)
7	Lens, LCD-Esp-C/Lx	1	632700	632700	632700	632700	632700
8	Assy, Cover Foil	1	(632905)	(632905)	(632905)	(632905)	(632905)
-	Cover, Pwb	1	(631920)	(631920)	(631920)	(631920)	(631920)
-	Shield Foil	1	(632904)	(632904)	(632904)	(632904)	(632904)
9	Keypad, Silicone	1	(632908)	(632908)	(632908)	(632908)	(632908)
10	Assy, Front Panel/Shield	1	(634392)	(634392)	(634392)	(634392)	(634392)
-	Shield, Front Panel	1	(632897)	(632897)	(632897)	(632897)	(632897)
-	Esp-Mc-P Front Panel	1	(634209)	(634209)	(634209)	(634209)	(634209)
11	Overlay Front Panel	1	(634401-02)	(634401-03)	(634401-04)	(634401-05)	(634401-06)
12	Screw, 4-24 x 5/16 Hi-Lo W/Washer	5	(650563-23)	(650563-23)	(650563-23)	(650563-23)	(650563-23)

Note: Part Numbers enclosed in brackets ( ) are not available individually, but may be sold in assemblies or kits.

IESP12SITEP/ IESP16SITEP/ IESP24SITEP/ IESP32SITEP/ IESP40SITEP  
 (PLASTIC WALL MOUNT, INTERNATIONAL, 240 VOLT, 50 Hz)

**PWB ASSY ESP-SITE CONTROL UNIT**



**SECTION B-B**

Ref.	Description	Qty.	12	16	24	32	40
<b>PWB ASSY ESP-SITE CONTROL UNIT</b>			(634311)	(634311)	(634311)	(634311)	(634311)
-	Label, Bar Code 39	1	(631356-01)	(631356-01)	(631356-01)	(631356-01)	(631356-01)
U4	IC, SRAM, 128K x 8, CMOS	1	632150	632150	632150	632150	632150
U4-1	IC, Clock/Battery Socket	1	632151	632151	632151	632151	632151
U3	IC, Prom Assy	1	(633614-57)	(633614-57)	(633614-57)	(633614-57)	(633614-57)
-	Printed Wiring Board	1	(634312)	(634312)	(634312)	(634312)	(634312)
C1,2	Capacitor, Ceramic, Disc 30pF, 50V	2	(650012-15)	(650012-15)	(650012-15)	(650012-15)	(650012-15)
C12,13	Capacitor, ceramic, Disc 0.1uF, 500V	2	650013-45	650013-45	650013-45	650013-45	650013-45
LP1,2	Mov 33V, 500A	2	650015	650015	650015	650015	650015

Note: Part Numbers enclosed in brackets ( ) are not available individually, but may be sold in assemblies or kits.



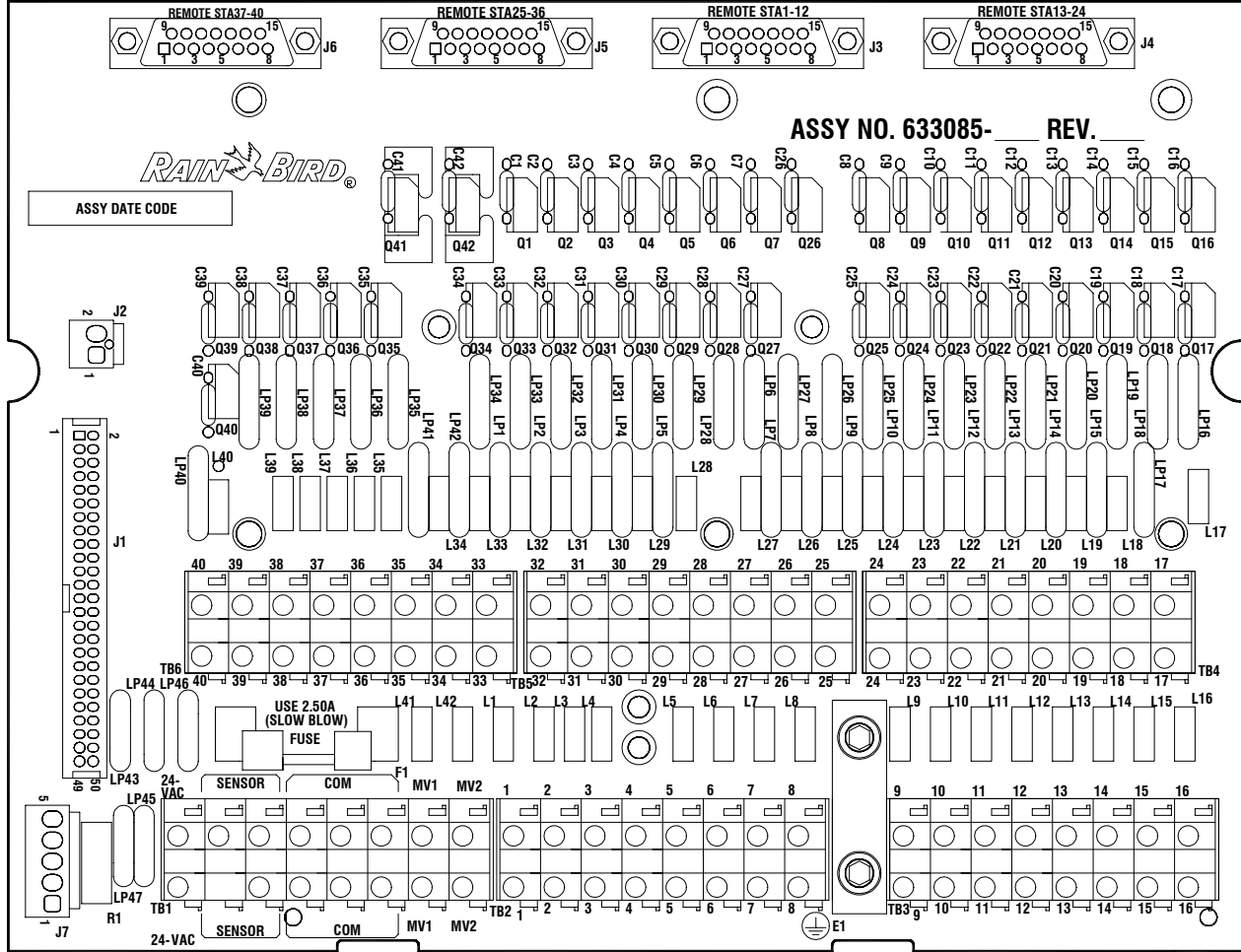
IESP12SITEP/ IESP16SITEP/ IESP24SITEP/ IESP32SITEP/ IESP40SITEP  
 (PLASTIC WALL MOUNT, INTERNATIONAL, 240 VOLT, 50 Hz)

Ref.	Description	Qty.	12	16	24	32	40
<b>PWB ASSYESP-SITE CONTROL UNIT, CONT.</b>							
CR1	Diode	1	650037-01	650037-01	650037-01	650037-01	650037-01
R9	Resistor, Carbon Film, 1/4W, 1K Ohms	1	(650079-73)	(650079-73)	(650079-73)	(650079-73)	(650079-73)
R1-4, 6-8, 10, 11, 15	Resistor, carbon Film, 1/4W, 10K Ohms	10	(650079-97)	(650079-97)	(650079-97)	(650079-97)	(650079-97)
R5, 12, R13, 14	Resistor, carbon Film, 1/4W, 100K Ohms	4	(650080-22)	(650080-22)	(650080-22)	(650080-22)	(650080-22)
Q1, 2	Transistor, NPN	2	650084	650084	650084	650084	650084
C4-9	Capacitor, ceramic, Axial 0.1uF, 50V	6	(650085-55)	(650085-55)	(650085-55)	(650085-55)	(650085-55)
-	Grease	.01	(650101)	(650101)	(650101)	(650101)	(650101)
-	Rivet, Blind, Dome-Head .125Dia	2	(650139-05)	(650139-05)	(650139-05)	(650139-05)	(650139-05)
F1	Fuse, Mini., .197 Dia	1	(650307-03)	(650307-03)	(650307-03)	(650307-03)	(650307-03)
F1	Minifuse, Clips., .197Dia	2	(650308)	(650308)	(650308)	(650308)	(650308)
VR2	Voltage Regulator, 7805, +5V	1	650332	650332	650332	650332	650332
Y1	Crystal, Quartz 3.600Mhz	1	650334	650334	650334	650334	650334
U3	Socket, PROM Carrier	1	650518-02	650518-02	650518-02	650518-02	650518-02
BR1	Bridge, Rectifier 4A, 200V	1	650581-03	650581-03	650581-03	650581-03	650581-03
C3, 15	Capacitor, Tantalum, Radial 10uF, 25V	2	(650583-07)	(650583-07)	(650583-07)	(650583-07)	(650583-07)
C14	Capacitor Tantalum, Radial	1	650583-09	650583-09	650583-09	650583-09	650583-09
U2	IC, Octal D-Type Latch	1	650611	650611	650611	650611	650611
U4-2	Socket, Dip, Low-Profile 32Pins	1	(650622-11)	(650622-11)	(650622-11)	(650622-11)	(650622-11)
Y1	Wire, 22awg, Auto-Inserted .450Lead	2	(650625-03)	(650625-03)	(650625-03)	(650625-03)	(650625-03)
ZR1	Transient Suppressor	1	650658-01	650658-01	650658-01	650658-01	650658-01
J2	Header, St. Sq., Pin, 3Pos	1	(650893-03)	(650893-03)	(650893-03)	(650893-03)	(650893-03)
DS1	Led, Clear red, Superbright	1	650910	650910	650910	650910	650910
C10, 11	Capacitor, Electrl, Axial, 3300uF, 25V	2	(650954)	(650954)	(650954)	(650954)	(650954)
U1	IC, Microcontroller	1	651031	651031	651031	651031	651031
SW1	Switch, Tact Push	1	(651109)	(651109)	(651109)	(651109)	(651109)
U5	IC, I/O Expander	1	(651294)	(651294)	(651294)	(651294)	(651294)
J1	Box Connector Strip 12Pos	1	(651309-11)	(651309-11)	(651309-11)	(651309-11)	(651309-11)
RN1	Resistor, Network, 9Pins 10K Ohms	1	(651310)	(651310)	(651310)	(651310)	(651310)
VR1	Voltage Regulator, 7812 +12V, 1A	1	(651352)	(651352)	(651352)	(651352)	(651352)

Note: Part Numbers enclosed in brackets ( ) are not available individually, but may be sold in assemblies or kits.

IESP12SITEP/ IESP16SITEP/ IESP24SITEP/ IESP32SITEP/ IESP40SITEP  
(PLASTIC WALL MOUNT, INTERNATIONAL, 240 VOLT, 50 Hz)

PWB ASSY TERMINAL



Ref.	Description	Qty.	12	16	24	32	40
<b>PWB ASSY TERMINAL</b>							
LP45,47	Mov 56V,1000A	2	(633085-08)	(633085-09)	(633085-10)	(633085-11)	(633085-12)
LP46	Mov 56V,1000A	1	624624	624624	624624	624624	624624
-	Label, Bar Code 39	1	(631356-01)	(631356-01)	(631356-01)	(631356-01)	(631356-01)
-	Printed Wiring Board	1	(633086)	(633086)	(633086)	(633086)	(633086)
-	Solder	.001	(650160)	(650160)	(650160)	(650160)	(650160)
L1-8, L41,L42	Inductor, Ferrite Bead	10	650300-05	650300-05	650300-05	650300-05	650300-05
L9-12	Inductor, Ferrite Bead	4	650300-05	650300-05	650300-05	650300-05	650300-05
L13-16	Inductor, Ferrite Bead	4	-	650300-05	650300-05	650300-05	650300-05
L17-24	Inductor, Ferrite Bead	8	-	-	650300-05	650300-05	650300-05
L25-32	Inductor, Ferrite Bead	8	-	-	-	650300-05	650300-05

Note: Part Numbers enclosed in brackets ( ) are not available individually, but may be sold in assemblies or kits.

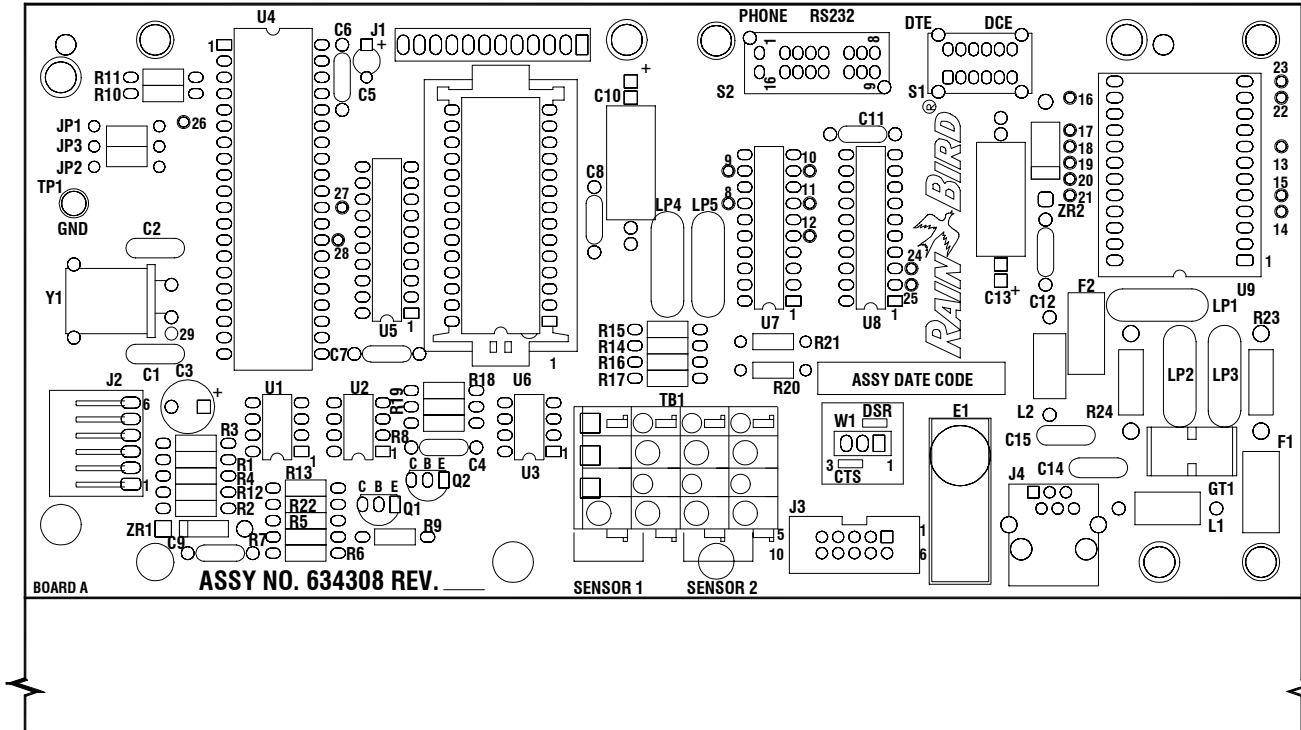
IESP12SITEP/ IESP16SITEP/ IESP24SITEP/ IESP32SITEP/ IESP40SITEP  
(PLASTIC WALL MOUNT, INTERNATIONAL, 240 VOLT, 50 Hz)

Ref.	Description	Qty.	12	16	24	32	40
<b>PWB ASSY TERMINAL, CONT.</b>							
L33-40	Inductor, Ferrite Bead	8	-	-	-	-	650300-05
-	Mini Fuse Clips .197 Dia	2	(650308)	(650308)	(650308)	(650308)	(650308)
J3	Connector, DB15S 15Pins	1	(650610-06)	(650610-06)	(650610-06)	(650610-06)	(650610-06)
J4	Connector, DB15S 15Pins	1	-	(650610-06)	(650610-06)	(650610-06)	(650610-06)
J5	Connector, DB15S 15Pins	1	-	-	-	(650610-06)	(650610-06)
J6	Connector, DB15S 15Pins	1	-	-	-	-	(650610-06)
J3	Jack Socket Kit	1	(650620)	(650620)	(650620)	(650620)	(650620)
J4	Jack Socket Kit	1	-	(650620)	(650620)	(650620)	(650620)
J5	Jack Socket Kit	1	-	-	-	(650620)	(650620)
J6	Jack Socket Kit	1	-	-	-	-	(650620)
R1	Resistor, 2%, 2W, .1Ohm	1	(650766-01)	(650766-01)	(650766-01)	(650766-01)	(650766-01)
LP1-8	Mov 20MM 47V, 2000A	10	650796	650796	650796	650796	650796
LP41,42							
LP9-12	Mov 20MM 47V, 2000A	4	650796	650796	650796	650796	650796
LP13-16	Mov 20MM 47V, 2000A	4	-	650796	650796	650796	650796
LP17-24	Mov 20MM 47V, 2000A	8	-	-	650796	650796	650796
LP25-32	Mov 20MM 47V, 2000A	8	-	-	-	650796	650796
LP33-40	Mov 20MM 47V, 2000A	8	-	-	-	-	650796
J1	Header, Polzd., .100Ctrs. 50Pins.	1	(650872-50)	(650872-50)	(650872-50)	(650872-50)	(650872-50)
LP44	Mov 47V, 1000A	1	650875	650875	650875	650875	650875
C1-8	Capacitor Ceramic Axial .01uF, 100V	10	(650882-01)	(650882-01)	(650882-01)	(650882-01)	(650882-01)
C41,42							
C9-12	Capacitor Ceramic Axial .01uF, 100V	4	(650882-01)	(650882-01)	(650882-01)	(650882-01)	(650882-01)
C13-16	Capacitor Ceramic Axial .01uF, 100V	4	-	(650882-01)	(650882-01)	(650882-01)	(650882-01)
C17-24	Capacitor Ceramic Axial .01uF, 100V	8	-	-	(650882-01)	(650882-01)	(650882-01)
C25-32	Capacitor Ceramic Axial .01uF, 100V	8	-	-	-	(650882-01)	(650882-01)
C33-40	Capacitor Ceramic Axial .01uF, 100V	8	-	-	-	-	(650882-01)
-	Mini Fuse .197Dia 2.5 Amp	1	650966-14	650966-14	650966-14	650966-14	650966-14
TB1,2	Terminal Block .300spc 1Pos	16	(651000-01)	(651000-01)	(651000-01)	(651000-01)	(651000-01)
TB3	Terminal Block .300spc 1Pos	8	(651000-01)	(651000-01)	(651000-01)	(651000-01)	(651000-01)
TB4	Terminal Block .300spc 1Pos	8	-	-	(651000-01)	(651000-01)	(651000-01)
TB5	Terminal Block .300spc 1Pos	8	-	-	-	(651000-01)	(651000-01)
TB6	Terminal Block .300spc 1Pos	8	-	-	-	-	(651000-01)
Q1-8	Triac, 6Amps	10	651138	651138	651138	651138	651138
Q41,42							
Q9-12	Triac, 6Amps	4	651138	651138	651138	651138	651138
Q13-16	Triac, 6Amps	4	-	651138	651138	651138	651138
Q17-24	Triac, 6Amps	8	-	-	651138	651138	651138
Q25-32	Triac, 6Amps	8	-	-	-	651138	651138
Q33-40	Triac, 6Amps	8	-	-	-	-	651138
LP43	Mov 50V, 2500A	1	(651272)	(651272)	(651272)	(651272)	(651272)

Note: Part Numbers enclosed in brackets ( ) are not available individually, but may be sold in assemblies or kits.

IESP12SITEP/ IESP16SITEP/ IESP24SITEP/ IESP32SITEP/ IESP40SITEP  
 (PLASTIC WALL MOUNT, INTERNATIONAL, 240 VOLT, 50 Hz)

**PWB ASSY ESP-SITE INTERFACE & MODEM**



Ref.	Description	Qty.	12	16	24	32	40
<b>PWB ASSY ESP-SITE INTERFACE &amp; MODEM</b>			(634308)	(634308)	(634308)	(634308)	(634308)
LP1-3	Mov 230Vac,4500A	3	(630386)	(630386)	(630386)	(630386)	(630386)
-	Label. Bar Code 39	1	(631356-01)	(631356-01)	(631356-01)	(631356-01)	(631356-01)
U6	PROM Carrier Assy	1	633323-03	633323-03	633323-03	633323-03	633323-03
-	Printed Wiring board Fabrication	1	(634309)	(634309)	(634309)	(634309)	(634309)
C1,2	Capacitor Ceramic,Disc,30pF,50V	2	(650012-15)	(650012-15)	(650012-15)	(650012-15)	(650012-15)
LP4,5	Mov 33V,500A	2	650015	650015	650015	650015	650015
ZR1	Diode Zener, 5.1V	1	(650038-70)	(650038-70)	(650038-70)	(650038-70)	(650038-70)
C13	Capacitor, Electrl,Axial 100uF,10V	1	(650044-05)	(650044-05)	(650044-05)	(650044-05)	(650044-05)
R1	Resistor,Carbon Film,1/4W 100Ohms	1	650079-49	650079-49	650079-49	650079-49	650079-49
R3,13	Resistor,Carbon Film,1/4W 270Ohms	2	(650079-59)	(650079-59)	(650079-59)	(650079-59)	(650079-59)
R14-17	Resistor,Carbon Film,1/4W 1KOhm	4	(650079-73)	(650079-73)	(650079-73)	(650079-73)	(650079-73)
R2	Resistor,Carbon Film,1/4W 1.5KOhms	1	(650079-77)	(650079-77)	(650079-77)	(650079-77)	(650079-77)
R4,20, R21	Resistor,Carbon Film,1/4W 2KOhms	3	(650079-80)	(650079-80)	(650079-80)	(650079-80)	(650079-80)
R6,8,9, 18,19,22	Resistor,Carbon Film, 1/4W 4.7KOhms	6	650079-89	650079-89	650079-89	650079-89	650079-89

Note: Part Numbers enclosed in brackets ( ) are not available individually, but may be sold in assemblies or kits.

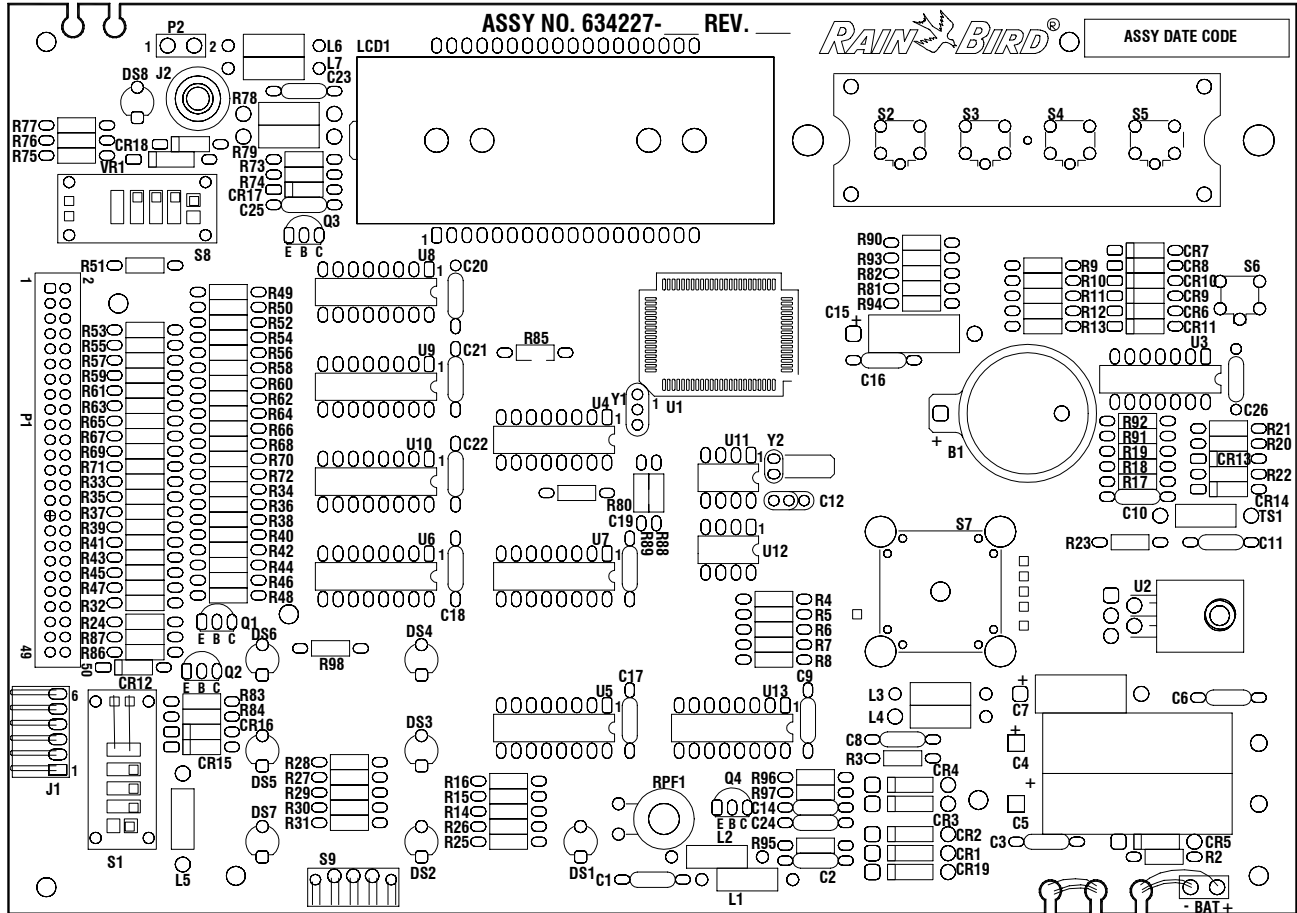
IESP12SITEP/ IESP16SITEP/ IESP24SITEP/ IESP32SITEP/ IESP40SITEP  
(PLASTIC WALL MOUNT, INTERNATIONAL, 240 VOLT, 50 Hz)

Ref.	Description	Qty.	12	16	24	32	40
<b>PWB ASSY ESP-SITE INTERFACE &amp; MODEM, CONT.</b>							
R12	Resistor, Carbon Film, 1/4W 10KOhms	1	(650079-97)	(650079-97)	(650079-97)	(650079-97)	(650079-97)
R5,7,10,R11	Resistor, Carbon Film, 1/4W 47K Ohms	4	(650080-14)	(650080-14)	(650080-14)	(650080-14)	(650080-14)
C10	Capacitor, Electrl, Axial 10uF, 16V	1	(650083-01)	(650083-01)	(650083-01)	(650083-01)	(650083-01)
C4, 12	Capacitor, Ceramic, Axial .01uF, 50V	2	650085-31	650085-31	650085-31	650085-31	650085-31
C6-9, 11	Capacitor, Ceramic Axial 0.1uF, 50V	5	(650085-55)	(650085-55)	(650085-55)	(650085-55)	(650085-55)
TP1	Test Point, PC Mount	1	(650336-01)	(650336-01)	(650336-01)	(650336-01)	(650336-01)
Q1,2	TransistormPNP	2	650369	650369	650369	650369	650369
W1	Plug, Shorting	1	(650417)	(650417)	(650417)	(650417)	(650417)
U1,2,3	IC, Opto-Coupler	3	650445	650445	650445	650445	650445
W1	Header, .100Ctrs 3Pins	1	(650454-03)	(650454-03)	(650454-03)	(650454-03)	(650454-03)
L1,2	Inductor Ferrite Bead Lead	2	(650509)	(650509)	(650509)	(650509)	(650509)
C14, 15	Capacitor, Ceramic, Radial .005uF, 1KV	2	(650516)	(650516)	(650516)	(650516)	(650516)
U6	Socket, PROM Carrier	1	650518-02	650518-02	650518-02	650518-02	650518-02
U8	IC, RS-232 Driver/Receiver	1	650559	650559	650559	650559	650559
C5	Capacitor, Tantalum, Radial 2.2uF, 25V	1	650583-03	650583-03	650583-03	650583-03	650583-03
C3	Capacitor, Tantalum, Radial 22uF, 25V	1	650583-09	650583-09	650583-09	650583-09	650583-09
S1	Switch, Slide, 4PDT	1	650609	650609	650609	650609	650609
U5	IC, Octal D-Type Latch	1	650611	650611	650611	650611	650611
Y1	Wire, 22Awg, Auto-Inserted .450Lead SP	.55	(650625-03)	(650625-03)	(650625-03)	(650625-03)	(650625-03)
ZR2	Transient Supresor	1	650658-01	650658-01	650658-01	650658-01	650658-01
Y1	Crystal, Quartz 11.059 MHz	1	650721	650721	650721	650721	650721
J3	Header, Low Profile 1- Pos	1	(650872-10)	(650872-10)	(650872-10)	(650872-10)	(650872-10)
TB1	Terminal Block, .300LD SP	4	(651000-01)	(651000-01)	(651000-01)	(651000-01)	(651000-01)
U7	IC, Noninverting Buffer	1	(651001)	(651001)	(651001)	(651001)	(651001)
U9	IC, Modem Module	1	(651002)	(651002)	(651002)	(651002)	(651002)
S2	Switch, Slide, 4P3T	1	(651003)	(651003)	(651003)	(651003)	(651003)
J2	Header, Polzd, Right Angle .098Ctrs	1	(651005-06)	(651005-06)	(651005-06)	(651005-06)	(651005-06)
U4	IC, Microcontroller	1	651031	651031	651031	651031	651031
J1	Board Spacerm .025" Sq.	1	(651308-11)	(651308-11)	(651308-11)	(651308-11)	(651308-11)
J4	Connector, Modular Jask, Low Prof.	1	(651317)	(651317)	(651317)	(651317)	(651317)
F1,2	Polyswitch, Series TR600	2	(651318)	(651318)	(651318)	(651318)	(651318)
R23, 24	Resistor, Power metal Film	2	(651322)	(651322)	(651322)	(651322)	(651322)
GT1	Protector, Surge, Spark Gap	1	(651427)	(651427)	(651427)	(651427)	(651427)

Note: Part Numbers enclosed in brackets ( ) are not available individually, but may be sold in assemblies or kits.

IESP12SITEP/ IESP16SITEP/ IESP24SITEP/ IESP32SITEP/ IESP40SITEP  
 (PLASTIC WALL MOUNT, INTERNATIONAL, 240 VOLT, 50 Hz)

PWB ASSY ESP-MC ESC-1 CONTROLLER



Ref.	Description	Qty.	12	16	24	32	40
<b>PWB ASSY ESP-MC ESC-1 CONTROLLER</b>			(634227-08)	(634227-09)	(634227-10)	(634227-11)	(634227-12)
S7	Switch, Rotary	1	(630609)	(630609)	(630609)	(630609)	(630609)
S8	Switch, Slide	1	(630651)	(630651)	(630651)	(630651)	(630651)
-	Label, Bar Code 39	1	(631356-01)	(631356-01)	(631356-01)	(631356-01)	(631356-01)
LCD1	Spacer, LCD	1	(632046)	(632046)	(632046)	(632046)	(632046)
P2	Sensor Cable	1	(632048-01)	(632048-01)	(632048-01)	(632048-01)	(632048-01)
J2	Spring, Shield .70Long	1	(632898-01)	(632898-01)	(632898-01)	(632898-01)	(632898-01)
-	Spring Shield .44Long	1	(632898-02)	(632898-02)	(632898-02)	(632898-02)	(632898-02)
LCD1	Liquid Crystal Display	1	(633087)	(633087)	(633087)	(633087)	(633087)
U1	Microcomp., Toshiba,OTP	1	(633088)	(633088)	(633088)	(633088)	(633088)
P1	Ribbon Cable Assy.	1	(633090)	(633090)	(633090)	(633090)	(633090)
-	Printed Wiring Board	1	(634228)	(634228)	(634228)	(634228)	(634228)
C12	Capacitor, Ceramic radial 6pF, 50V	1	(650012-04)	(650012-04)	(650012-04)	(650012-04)	(650012-04)

Note: Part Numbers enclosed in brackets ( ) are not available individually, but may be sold in assemblies or kits.





IESP12SITEP/ IESP16SITEP/ IESP24SITEP/ IESP32SITEP/ IESP40SITEP  
 (PLASTIC WALL MOUNT, INTERNATIONAL, 240 VOLT, 50 Hz)

Ref.	Description	Qty.	12	16	24	32	40
<b>PWB ASSY ESP-MC ESC-1 CONTROLLER, CONT.</b>							
U2	Washer, Flat, Carbon Steel No.5	1	(650023-03)	(650023-03)	(650023-03)	(650023-03)	(650023-03)
CR6	Diode, Switching	1	650037-01	650037-01	650037-01	650037-01	650037-01
CR7	Diode, Switching	1	650037-01	-	650037-01	-	650037-01
CR8	Diode, Switching	1	-	650037-01	650037-01	-	-
CR9	Diode, Switching	1	-	-	-	650037-01	650037-01
CR11-18	Diode, Switching	8	650037-01	650037-01	650037-01	650037-01	650037-01
VR1	Diode, Zener, 500mW, 5.6V	1	(650038-71)	(650038-71)	(650038-71)	(650038-71)	(650038-71)
C7, C15	Capacitor, Electrol, Axial 47uF, 10V	2	(650044-03)	(650044-03)	(650044-03)	(650044-03)	(650044-03)
BAT	Battery Snap 9V	1	650075	650075	650075	650075	650075
CR1-5 CR19	Diode, Gen Purpose, 1Amp	6	650077-02	650077-02	650077-02	650077-02	650077-02
R23, 85	Resistor, Carbon Film, 1/4W, 10Ohm	2	(650079-25)	(650079-25)	(650079-25)	(650079-25)	(650079-25)
R24, 32, R98, R49-56	Resistor, Carbon Film, 1/4W, 150Ohms	11	(650079-53)	(650079-53)	(650079-53)	(650079-53)	(650079-53)
R57-60	Resistor, Carbon Film, 1/4W, 150Ohms	4	(650079-53)	(650079-53)	(650079-53)	(650079-53)	(650079-53)
R61-64	Resistor, Carbon Film, 1/4W, 150Ohms	4	-	(650079-53)	(650079-53)	(650079-53)	(650079-53)
R65-72	Resistor, Carbon Film, 1/4W, 150Ohms	8	-	-	(650079-53)	(650079-53)	(650079-53)
R33-40	Resistor, Carbon Film, 1/4W, 150Ohms	8	-	-	-	(650079-53)	(650079-53)
R41-48	Resistor, Carbon Film, 1/4W, 150Ohms	8	-	-	-	-	(650079-53)
R25-31	Resistor, Carbon Film, 1/4W, 470Ohms	7	(650079-65)	(650079-65)	(650079-65)	(650079-65)	(650079-65)
R17, 95	Resistor, Carbon Film, 1/4W, 1KOhm	2	(650079-73)	(650079-73)	(650079-73)	(650079-73)	(650079-73)
R76	Resistor, Carbon Film, 1/4W, 2KOhms	1	(650079-80)	(650079-80)	(650079-80)	(650079-80)	(650079-80)
R2	Resistor, Carbon Film, 1/4W, 3.3KOhm	1	(650079-85)	(650079-85)	(650079-85)	(650079-85)	(650079-85)
R20-22, R84, R87-90	Resistor, Carbon Film, 1/4W, 4.7KOhm	8	650079-89	650079-89	650079-89	650079-89	650079-89
R92	Resistor, Carbon Film, 1/4W, 8.2KOhm	1	(650079-95)	(650079-95)	(650079-95)	(650079-95)	(650079-95)
R19, 91	Resistor, Carbon Film, 1/4W, 10KOhm	2	(650079-97)	(650079-97)	(650079-97)	(650079-97)	(650079-97)
R18, 80 R83, 86	Resistor, Carbon Film, 1/4W, 47KOhm	4	(650080-14)	(650080-14)	(650080-14)	(650080-14)	(650080-14)
R4-16, R73, 81, R82, 93, R94	Resistor, Carbon Film, 1/4W, 100KOh	18	(650080-22)	(650080-22)	(650080-22)	(650080-22)	(650080-22)
R3, 74, R75, 96, R97	Resistor, Carbon Film, 1/4W, 220KOh	5	(650080-30)	(650080-30)	(650080-30)	(650080-30)	(650080-30)
C3, 8-10, C14, 16, C17, 20, C24	Capacitor, Ceramic Axial .1uF, 50V	9	(650085-55)	(650085-55)	(650085-55)	(650085-55)	(650085-55)

Note: Part Numbers enclosed in brackets ( ) are not available individually, but may be sold in assemblies or kits.

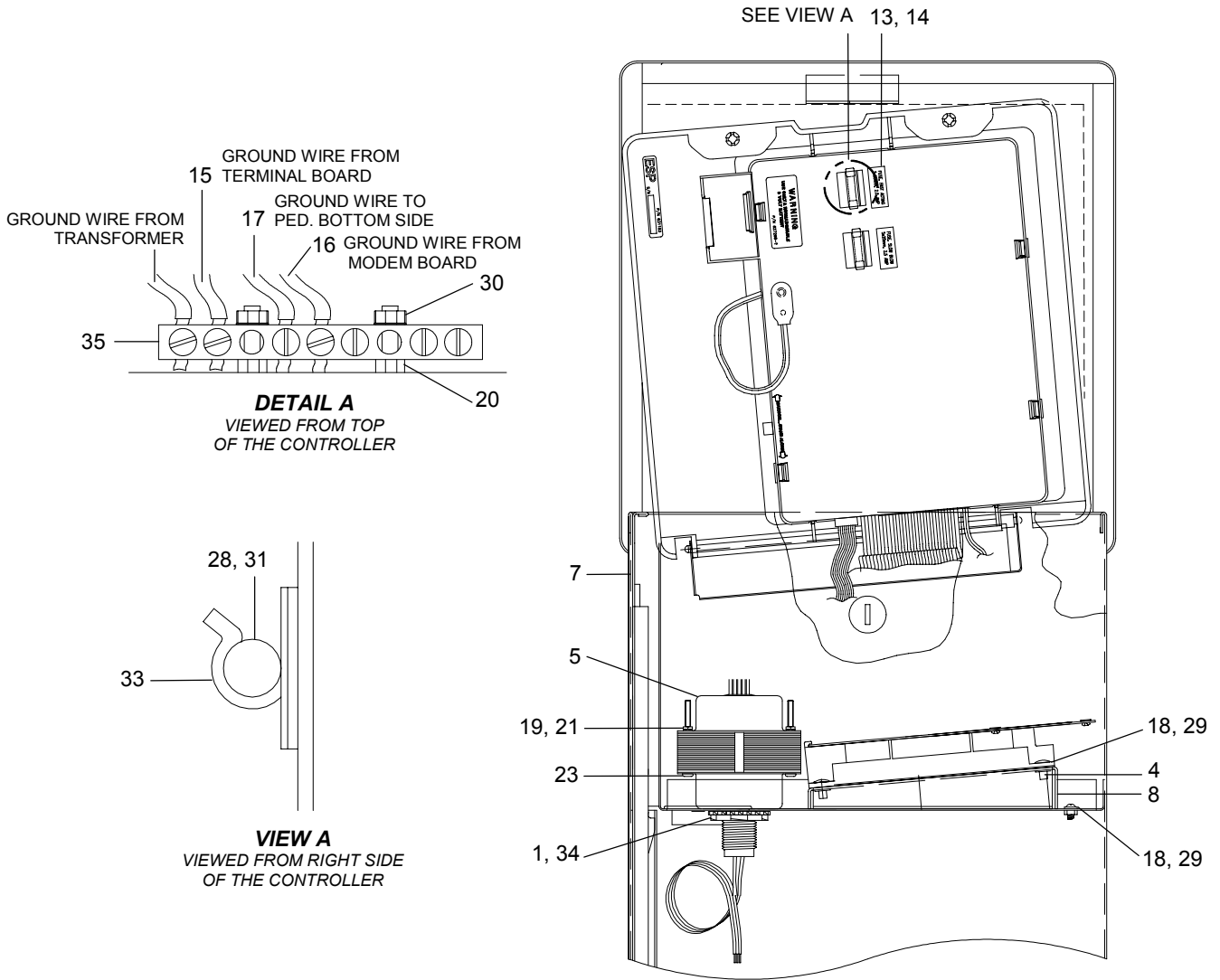
IESP12SITEP/ IESP16SITEP/ IESP24SITEP/ IESP32SITEP/ IESP40SITEP  
(PLASTIC WALL MOUNT, INTERNATIONAL, 240 VOLT, 50 Hz)

Ref.	Description	Qty.	12	16	24	32	40
<b>PWB ASSY ESP-MC ESC-1 CONTROLLER, CONT.</b>							
C21	Capacitor, Ceramic Axial .1uF, 50V	1	(650085-55)	(650085-55)	(650085-55)	(650085-55)	(650085-55)
C22	Capacitor, Ceramic Axial .1uF, 50V	1	-	-	(650085-55)	(650085-55)	(650085-55)
C18	Capacitor, Ceramic Axial .1uF, 50V	1	-	-	-	(650085-55)	(650085-55)
C19	Capacitor, Ceramic Axial .1uF, 50V	1	-	-	-	-	(650085-55)
U2	Rivet, Blind Dome HD .125 Dia	1	(650139-05)	(650139-05)	(650139-05)	(650139-05)	(650139-05)
R78,79	Resistor, Carbon Film, 1/2W, 1KOhm	2	(650202-73)	(650202-73)	(650202-73)	(650202-73)	(650202-73)
L1-7	Inductor, Ferrite Bead	7	650300-05	650300-05	650300-05	650300-05	650300-05
U3	I.C. Quad OP Amp	1	650358	650358	650358	650358	650358
Q3,4	Transistor, NPN, 625mW	2	650367	650367	650367	650367	650367
Q1,2	Transistor, PNP	2	650369	650369	650369	650369	650369
Y2	Crystal, Quartz 32.768KHz	1	(650484)	(650484)	(650484)	(650484)	(650484)
-	Lubricant, Switch	.001	(650588)	(650588)	(650588)	(650588)	(650588)
TS1	Transient Suppressor Bidirection 6.8V	1	(650595-01)	(650595-01)	(650595-01)	(650595-01)	(650595-01)
C5	Capacitor, Electro, Axial 330uF, 25V	1	(650624)	(650624)	(650624)	(650624)	(650624)
U4	3-8Line Decoder	1	650699	650699	650699	650699	650699
S2-6	Switch, Pushbutton	5	(650748)	(650748)	(650748)	(650748)	(650748)
C1,2,11, C23,25	Capacitor, Ceramic Axial .01uF, 100V	5	(650882-01)	(650882-01)	(650882-01)	(650882-01)	(650882-01)
C6	Capacitor, NPO, Axial 100pF, 100V	1	(650883-13)	(650883-13)	(650883-13)	(650883-13)	(650883-13)
C26	Capacitor, NPO, Axial 220pF, 100V	1	(650883-17)	(650883-17)	(650883-17)	(650883-17)	(650883-17)
U5,8	8Bit Adressable Latch	2	650889	650889	650889	650889	650889
U9	8Bit Adressable Latch	1	650889	650889	650889	650889	650889
U10	8Bit Adressable Latch	1	-	-	650889	650889	650889
U6	8Bit Adressable Latch	1	-	-	-	650889	650889
U7	8Bit Adressable Latch	1	-	-	-	-	650889
DS1-8	Led, Red, .200Ctrs.	8	650910	650910	650910	650910	650910
U2	Regulator, Low Dropout	1	(650962)	(650962)	(650962)	(650962)	(650962)
J2	Eyelet, Spring	1	(650985)	(650985)	(650985)	(650985)	(650985)
J1	Header, Right Angle 100Ctrs 6Pins	1	(651005-06)	(651005-06)	(651005-06)	(651005-06)	(651005-06)
B1	Battery, Lithium	1	(651009)	(651009)	(651009)	(651009)	(651009)
B1	Holder, Battery Coin	1	(651010)	(651010)	(651010)	(651010)	(651010)
U11	I.C., Real Time Clock	1	(651011)	(651011)	(651011)	(651011)	(651011)
U12	I.C., EEPROM-4K Byte, Serial	1	(651012)	(651012)	(651012)	(651012)	(651012)
Y1	Resonator, Ceramic, 8.0MHz	1	(651013)	(651013)	(651013)	(651013)	(651013)
U13	I.C., 8 Bit Input Mux	1	(651014)	(651014)	(651014)	(651014)	(651014)
C4	Capacitor, Electro, Axial 1000uF, 25V	1	(651054-12)	(651054-12)	(651054-12)	(651054-12)	(651054-12)
RPF1	Polyswitch, RXE 60V, .65A	1	(651055-08)	(651055-08)	(651055-08)	(651055-08)	(651055-08)
S9	Switch, Slide	1	(651292)	(651292)	(651292)	(651292)	(651292)

Note: Part Numbers enclosed in brackets ( ) are not available individually, but may be sold in assemblies or kits.

IESP12SITES/ IESP16SITES/ IESP24SITES/ IESP32SITES/ IESP40SITES  
 (STAINLESS STEEL PEDESTAL, INTERNATIONAL, 240 VOLT, 50 Hz)

**CONTROLLER ASSEMBLY**

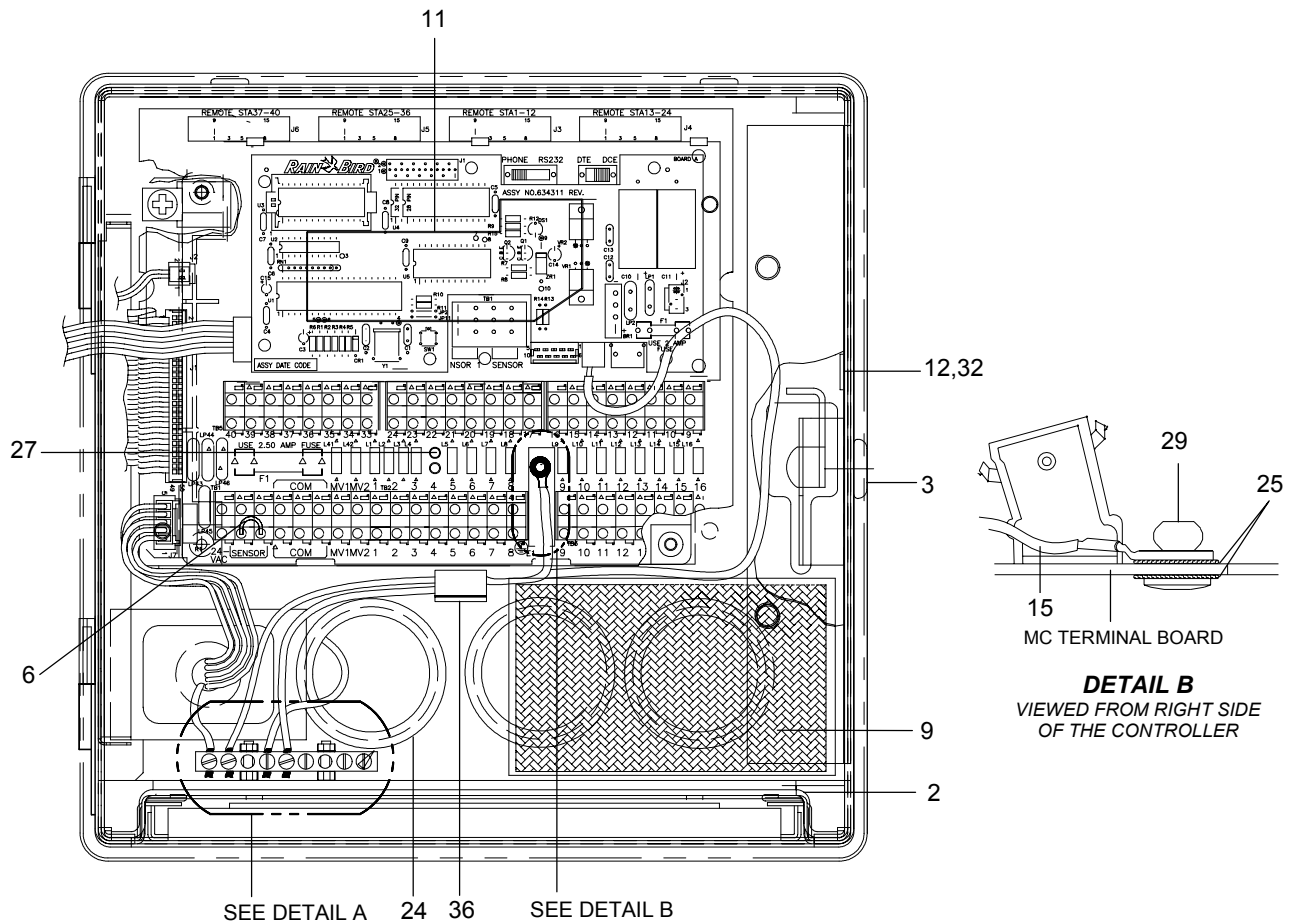


Ref.	Description	Qty.	12	16	24	32	40
<b>CONTROLLER ASSEMBLY</b>			(634409-08)	(634409-09)	(634409-10)	(634409-11)	(634409-12)
1	Locknut Conduit	1	(628013)	(628013)	(628013)	(628013)	(628013)
2	Panel Access Ped Top Opening	1	629466	629466	629466	629466	629466
3	Lock, Bent Cam	1	630336-02	630336-02	630336-02	630336-02	630336-02
4	Spacer, Terminal Board	1	(631919)	(631919)	(631919)	(631919)	(631919)
-	Cable Assy, 2Wire/Link Intfc-Mc	1	(633132)	(633132)	(633132)	(633132)	(633132)
5	Xfmr Assy, Link, 230V-Esp-Mc	1	(633165-02)	(633165-02)	(633165-02)	(633165-02)	(633165-02)
6	Sensor Jumper Wire	1	(633442)	(633442)	(633442)	(633442)	(633442)
7	Ped, Ss, Top Opening-Esp-Sat	1	(633477)	(633477)	(633477)	(633477)	(633477)
8	Bracket, Term Mnting-Esp-Sat-Ss	1	(633485)	(633485)	(633485)	(633485)	(633485)

Note: Part Numbers enclosed in brackets ( ) are not available individually, but may be sold in assemblies or kits.



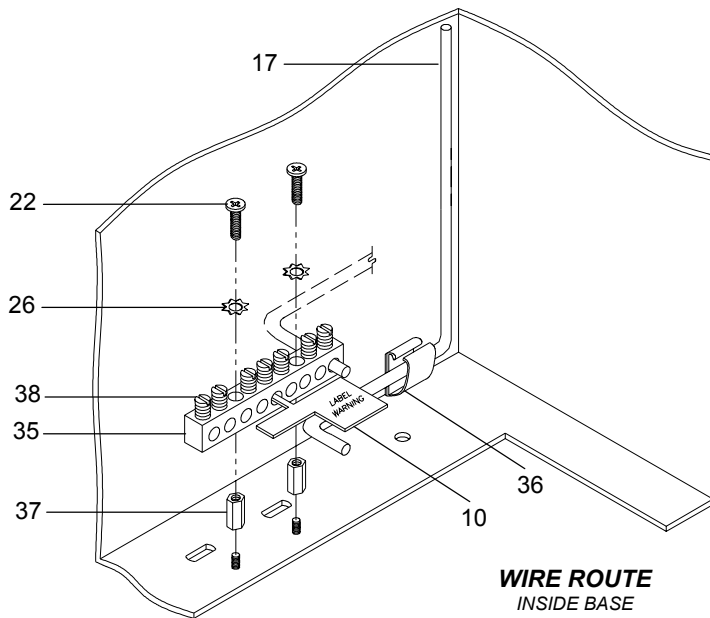
IESP12SITES/ IESP16SITES/ IESP24SITES/ IESP32SITES/ IESP40SITES  
(STAINLESS STEEL PEDESTAL, INTERNATIONAL, 240 VOLT, 50 Hz)



Ref.	Description	Qty.	12	16	24	32	40
<b>CONTROLLER ASSEMBLY, CONT.</b>							
-	Label, Caution	1	(633657)	(633657)	(633657)	(633657)	(633657)
9	Box, Parts, Ss Ped-Esp-Sat	1	(633740)	(633740)	(633740)	(633740)	(633740)
-	Foam, Door Wedge, Ss Ped, Esp-Sat	1	(633743)	(633743)	(633743)	(633743)	(633743)
10	Label Warning Grounding Esp-Mc	1	(634502)	(634502)	(634502)	(634502)	(634502)
11	Pwb Foam Esp-Site	1	(634532)	(634532)	(634532)	(634532)	(634532)
12	Label, Warning Corrosion Inhib	1	(634558)	(634558)	(634558)	(634558)	(634558)
13	Label, Fuse 2.5 Amp	1	(634615)	(634615)	(634615)	(634615)	(634615)
14	Label, Fuse 2.0 amp.	1	(634616)	(634616)	(634616)	(634616)	(634616)
15	Ground Wire Assy 12 awg (11)	1	(634943-11)	(634943-11)	(634943-11)	(634943-11)	(634943-11)
16	Ground Wire Assy 12 awg (19)	1	(634943-19)	(634943-19)	(634943-19)	(634943-19)	(634943-19)
17	Ground Wire Assy 12 awg (48)	1	(634943-48)	(634943-48)	(634943-48)	(634943-48)	(634943-48)
-	Washer, Flat #8 .032	4	(650023-10)	(650023-10)	(650023-10)	(650023-10)	(650023-10)
18	Washer, Flat #10 .032	8	(650023-13)	(650023-13)	(650023-13)	(650023-13)	(650023-13)
19	Washer, Ksdr, #8 .040, Cres	2	(650029-04)	(650029-04)	(650029-04)	(650029-04)	(650029-04)
-	Washer 5/16 Lock-Spring	4	(650029-07)	(650029-07)	(650029-07)	(650029-07)	(650029-07)

Note: Part Numbers enclosed in brackets ( ) are not available individually, but may be sold in assemblies or kits.

IESP12SITES/ IESP16SITES/ IESP24SITES/ IESP32SITES/ IESP40SITES  
 (STAINLESS STEEL PEDESTAL, INTERNATIONAL, 240 VOLT, 50 Hz)

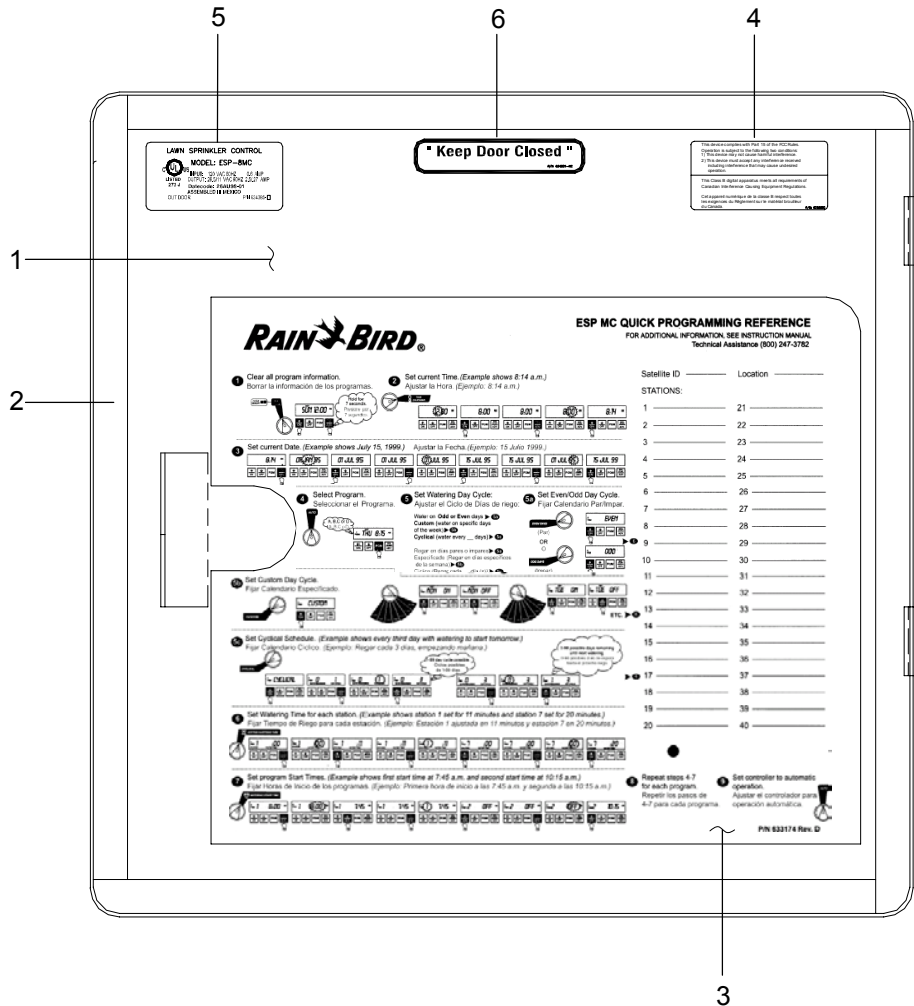


Ref.	Description	Qty.	12	16	24	32	40
<b>CONTROLLER ASSEMBLY, CONT.</b>							
20	Nut, Pl, Hex, #8-32, Cres, Psvtd	2	(650033-04)	(650033-04)	(650033-04)	(650033-04)	(650033-04)
21	Nut, Hex #8	2	(650034-04)	(650034-04)	(650034-04)	(650034-04)	(650034-04)
22	Screw 8-32 .750 Pn Hd	2	(650106-47)	(650106-47)	(650106-47)	(650106-47)	(650106-47)
23	Screw 8-32 x 3 Pn Hd	2	(650106-57)	(650106-57)	(650106-57)	(650106-57)	(650106-57)
24	Bushing Snap Nylon	3	(650152-53)	(650152-53)	(650152-53)	(650152-53)	(650152-53)
25	Wshr Lk, #10, Ext-Tooth, Z-Pltd	4	(650162-04)	(650162-04)	(650162-04)	(650162-04)	(650162-04)
26	Washer #8 32 x 5/16	2	(650163-03)	(650163-03)	(650163-03)	(650163-03)	(650163-03)
27	Screw Phl Pnh Hi-Lo 7-19x1/2	3	(650183-63)	(650183-63)	(650183-63)	(650183-63)	(650183-63)
28	Fuse 5x20 Mm 2Amps	1	(650307-03)	(650307-03)	(650307-03)	(650307-03)	(650307-03)
29	Rivet, Blind 0.19	10	(650434-13)	(650434-13)	(650434-13)	(650434-13)	(650434-13)
-	Plug, Hole .250 Nyl, Black	1	(650485-03)	(650485-03)	(650485-03)	(650485-03)	(650485-03)
-	Plug, Hole .375, Nyl, Black	1	(650485-07)	(650485-07)	(650485-07)	(650485-07)	(650485-07)
-	Locknut Conduit	2	(650498)	(650498)	(650498)	(650498)	(650498)
30	Nut, #8-32 Hex W/Star Washer	2	(650634-04)	(650634-04)	(650634-04)	(650634-04)	(650634-04)
-	Spacer Circuit Brd. Edge Hold	6	(650912-05)	(650912-05)	(650912-05)	(650912-05)	(650912-05)
-	Spacer, Circuit Board, Edge Hold	6	(650912-10)	(650912-10)	(650912-10)	(650912-10)	(650912-10)
31	Fuse, 5x20 Mm, Slow Blow 21/2Amp	1	650966-14	650966-14	650966-14	650966-14	650966-14
32	Impreganted Foam Corrosion Inh	1	(651331)	(651331)	(651331)	(651331)	(651331)
33	Holder Fuse	2	(651384)	(651384)	(651384)	(651384)	(651384)
34	Lock Washer, External Tooth	1	(651389)	(651389)	(651389)	(651389)	(651389)
35	Bar Bus Grounding	2	(651440)	(651440)	(651440)	(651440)	(651440)
36	Wire Clip With Adhesive	6	(651446-02)	(651446-02)	(651446-02)	(651446-02)	(651446-02)
37	Aluminum Hex Standoff	2	(651500-09)	(651500-09)	(651500-09)	(651500-09)	(651500-09)
38	Slotted ser Screw ¼-28x.500	7	(651510)	(651510)	(651510)	(651510)	(651510)

Note: Part Numbers enclosed in brackets ( ) are not available individually, but may be sold in assemblies or kits.

IESP12SITES/ IESP16SITES/ IESP24SITES/ IESP32SITES/ IESP40SITES  
(STAINLESS STEEL PEDESTAL, INTERNATIONAL, 240 VOLT, 50 Hz)

DOOR ASSEMBLY

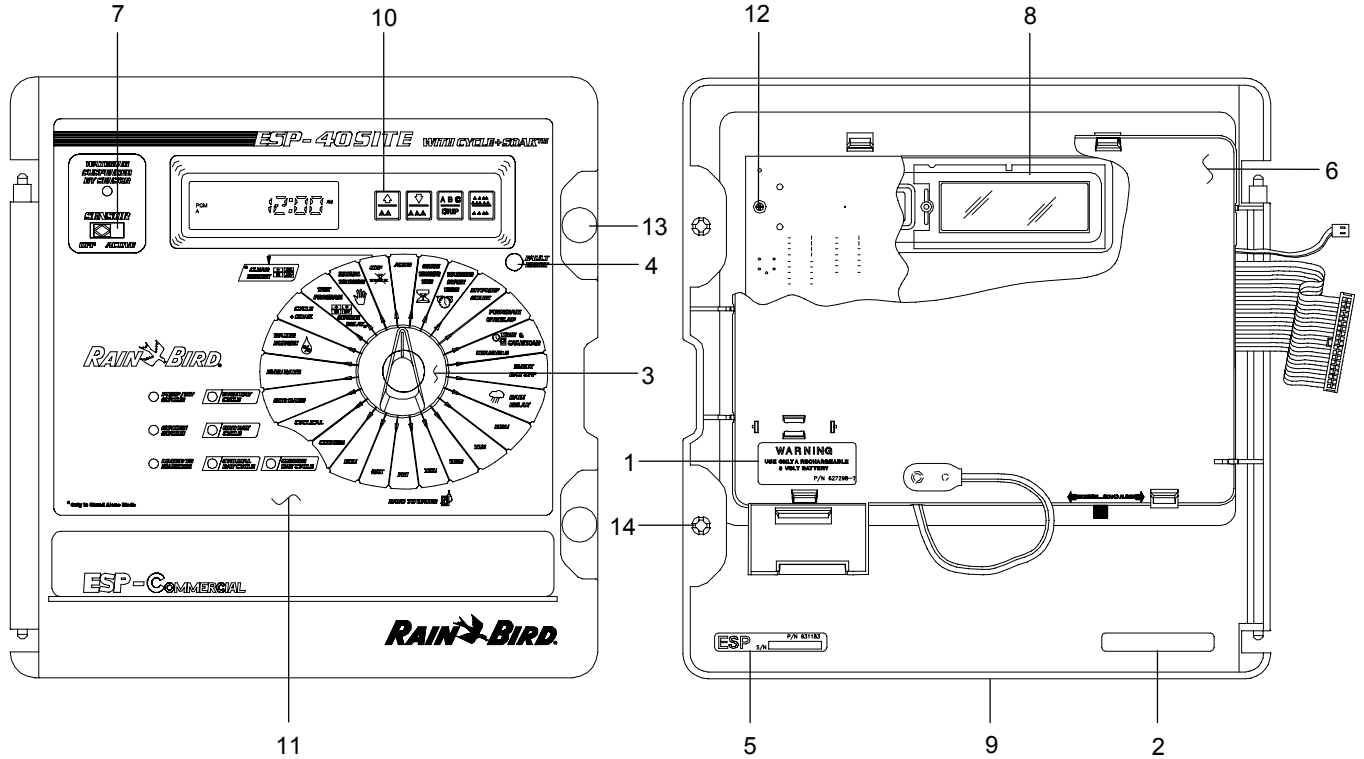


Ref.	Description	Qty.	12	16	24	32	40
<b>DOOR ASSEMBLY</b>			(634429-02)	(634429-02)	(634429-02)	(634429-02)	(634429-02)
-	Door Assy Pedestal	1	(629463)	(629463)	(629463)	(629463)	(629463)
1	Door Pedestal	1	(639465)	(639465)	(639465)	(639465)	(639465)
2	Gasket Foam S/S Ped 4 Per	4	(629499)	(629499)	(629499)	(629499)	(629499)
3	Label/Envelope-Esp-Mc	1	(633174)	(633174)	(633174)	(633174)	(633174)
4	Label, Fcc Compliance, E-Class	1	(633662)	(633662)	(633662)	(633662)	(633662)
5	Label, Rating	1	(634385-14)	(634385-14)	(634385-14)	(634385-14)	(634385-14)
6	Label, Keep Door Closed Esp-Mc	1	(634501)	(634501)	(634501)	(634501)	(634501)

Note: Part Numbers enclosed in brackets ( ) are not available individually, but may be sold in assemblies or kits.

IESP12SITES/ IESP16SITES/ IESP24SITES/ IESP32SITES/ IESP40SITES  
 (STAINLESS STEEL PEDESTAL, INTERNATIONAL, 240 VOLT, 50 Hz)

**FRONT PANEL ASSEMBLY**

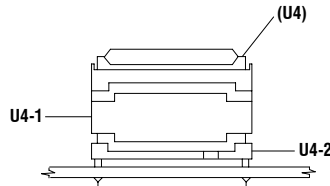
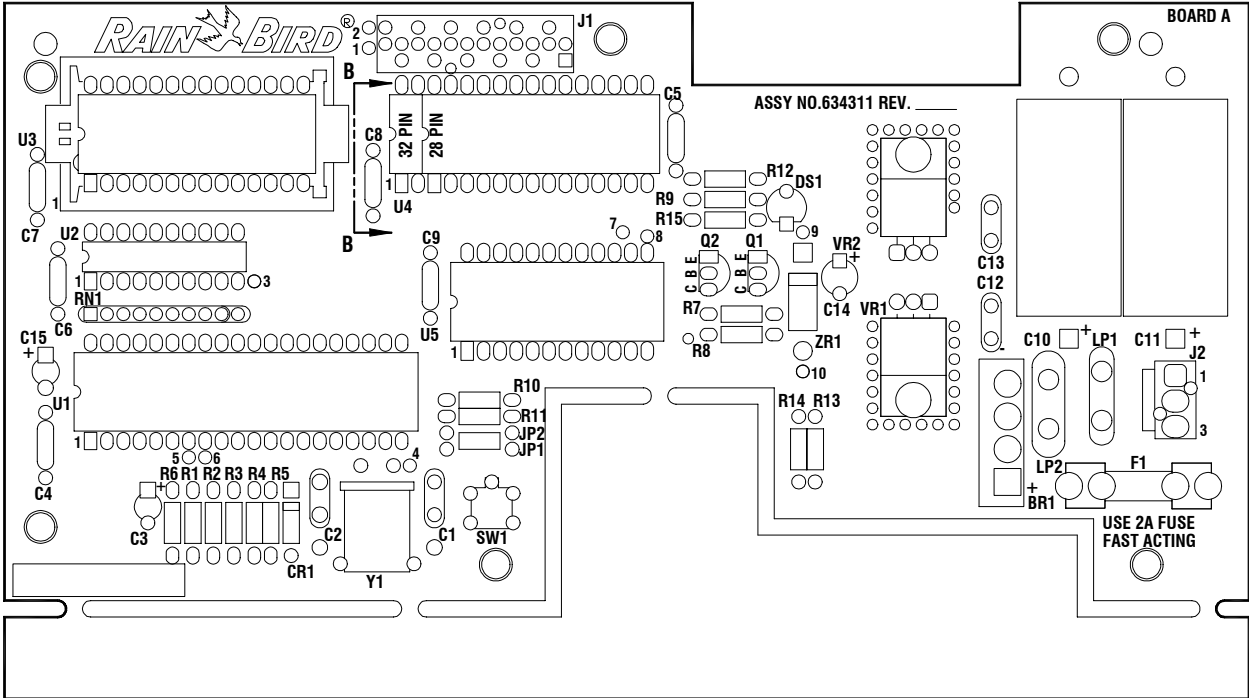


Ref.	Description	Qty.	12	16	24	32	40
<b>FRONT PANEL ASSEMBLY</b>			(634402-02)	(634402-03)	(634402-04)	(634402-05)	(634402-06)
1	Label Warning Cic 8/12	1	(627298)	(627298)	(627298)	(627298)	(627298)
2	Label Date Code	1	(627867)	(627867)	(627867)	(627867)	(627867)
3	Funct Select Knob Assy, Gray	1	630946	630946	630946	630946	630946
-	Esp Function Selec Knob, Gray	1	(630947)	(630947)	(630947)	(630947)	(630947)
-	Ring Compression	1	(650505-06)	(650505-06)	(650505-06)	(650505-06)	(650505-06)
4	Button, Tm Pb Switch	1	(631136)	(631136)	(631136)	(631136)	(631136)
5	Label, Serial, Esp	1	(631183)	(631183)	(631183)	(631183)	(631183)
6	Cover, Pwb	1	(631920)	(631920)	(631920)	(631920)	(631920)
7	Switch, Actuator-Paragon	1	(632510)	(632510)	(632510)	(632510)	(632510)
8	Lens, LCD	1	632700	632700	632700	632700	632700
9	Fp/shield Assy-	1	(632906)	(632906)	(632906)	(632906)	(632906)
-	Front Panel Esp-Mc	1	(631918)	(631918)	(631918)	(631918)	(631918)
-	Shield, Front Panel-Esp-C	1	(632897)	(632897)	(632897)	(632897)	(632897)
10	Keypad, Silicone	1	(632908)	(632908)	(632908)	(632908)	(632908)
11	Overlay Front Panel Esp-Site	1	(634401-02)	(634401-03)	(634401-04)	(634401-05)	(634401-06)
12	Screw, 4-24 X 5/16 Hi-Lo W/Wshr	5	(650563-23)	(650563-23)	(650563-23)	(650563-23)	(650563-23)
13	Lock, Plunger	2	(650927-02)	(650927-02)	(650927-02)	(650927-02)	(650927-02)
14	Lock, Grommet	2	(650928-02)	(650928-02)	(650928-02)	(650928-02)	(650928-02)

Note: Part Numbers enclosed in brackets ( ) are not available individually, but may be sold in assemblies or kits.

IESP12SITES/ IESP16SITES/ IESP24SITES/ IESP32SITES/ IESP40SITES  
 (STAINLESS STEEL PEDESTAL, INTERNATIONAL, 240 VOLT, 50 Hz)

**PWB ASSY ESP-SITE CONTROL UNIT**



**SECTION B-B**

Ref.	Description	Qty.	12	16	24	32	40
	<b>PWB ASSY ESP-SITE CONTROL UNIT</b>		(634311)	(634311)	(634311)	(634311)	(634311)
-	Label, Bar Code 39	1	(631356-01)	(631356-01)	(631356-01)	(631356-01)	(631356-01)
U4	IC, SRAM, 128K x 8, CMOS	1	632150	632150	632150	632150	632150
U4-1	IC, Clock/Battery Socket	1	632151	632151	632151	632151	632151
U3	IC, Prom Assy	1	(633614-57)	(633614-57)	(633614-57)	(633614-57)	(633614-57)
-	Printed Wiring Board	1	(634312)	(634312)	(634312)	(634312)	(634312)
C1,2	Capacitor, Ceramic, Disc 30pF, 50V	2	(650012-15)	(650012-15)	(650012-15)	(650012-15)	(650012-15)
C12,13	Capacitor, ceramic, Disc 0.1uF, 500V	2	650013-45	650013-45	650013-45	650013-45	650013-45
LP1,2	Mov 33V, 500A	2	650015	650015	650015	650015	650015

Note: Part Numbers enclosed in brackets ( ) are not available individually, but may be sold in assemblies or kits.



IESP12SITES/ IESP16SITES/ IESP24SITES/ IESP32SITES/ IESP40SITES  
(STAINLESS STEEL PEDESTAL, INTERNATIONAL, 240 VOLT, 50 Hz)

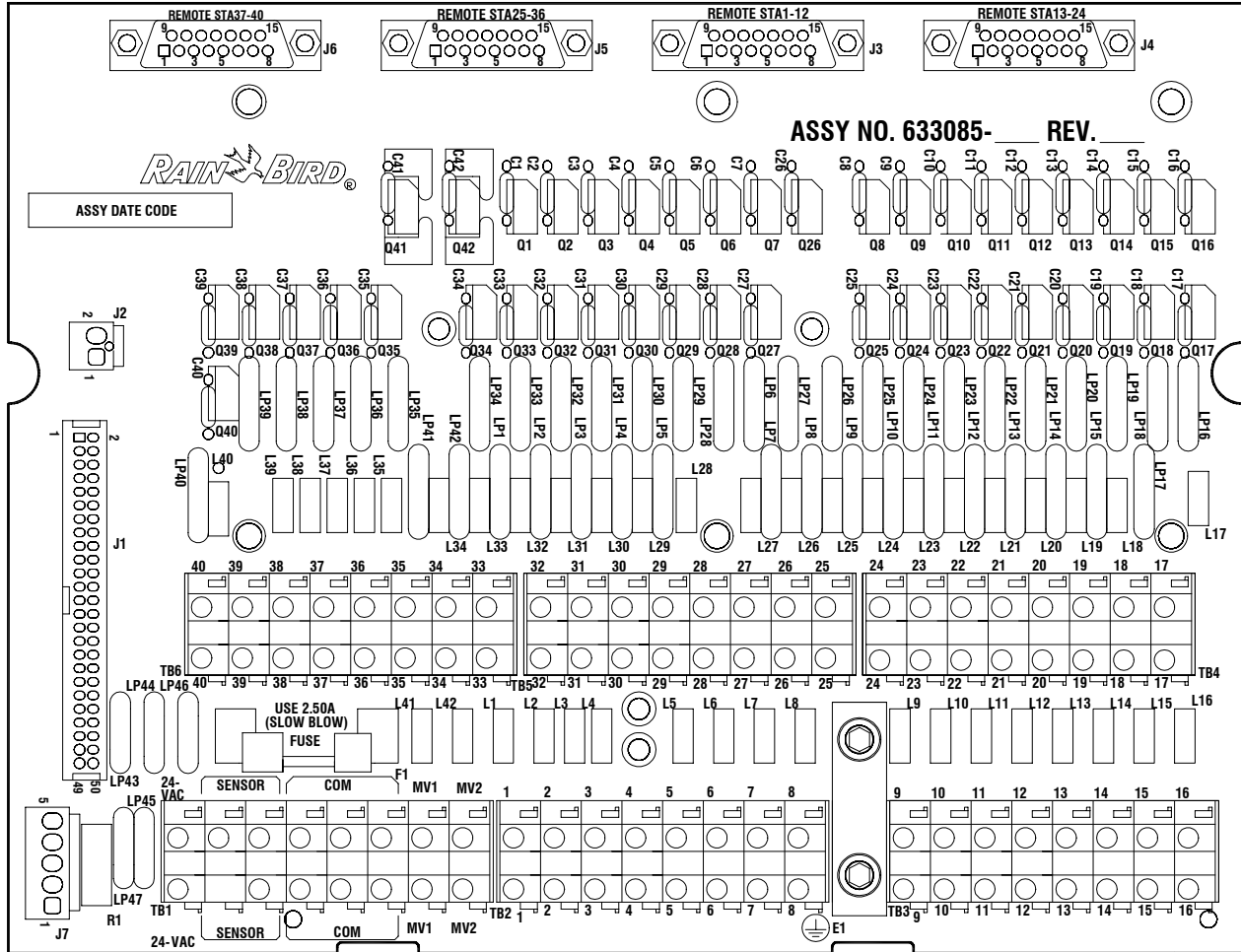
Ref.	Description	Qty.	12	16	24	32	40
<b>PWB ASSY ESP-SITE CONTROL UNIT, CONT.</b>							
CR1	Diode	1	650037-01	650037-01	650037-01	650037-01	650037-01
R9	Resistor, Carbon Film, 1/4W, 1K Ohms	1	(650079-73)	(650079-73)	(650079-73)	(650079-73)	(650079-73)
R1-4, 6-8, 10, 11, 15	Resistor, carbon Film, 1/4W, 10K Ohms	10	(650079-97)	(650079-97)	(650079-97)	(650079-97)	(650079-97)
R5, 12, R13, 14	Resistor, carbon Film, 1/4W, 100K Ohms	4	(650080-22)	(650080-22)	(650080-22)	(650080-22)	(650080-22)
Q1, 2	Transistor, NPN	2	650084	650084	650084	650084	650084
C4-9	Capacitor, ceramic, Axial 0.1uF, 50V	6	(650085-55)	(650085-55)	(650085-55)	(650085-55)	(650085-55)
-	Grease	.01	(650101)	(650101)	(650101)	(650101)	(650101)
-	Rivet, Blind, Dome-Head .125Dia	2	(650139-05)	(650139-05)	(650139-05)	(650139-05)	(650139-05)
F1	Fuse, Mini., .197 Dia	1	(650307-03)	(650307-03)	(650307-03)	(650307-03)	(650307-03)
F1	Minifuse, Clips., .197Dia	2	(650308)	(650308)	(650308)	(650308)	(650308)
VR2	Voltage Regulator, 7805, +5V	1	650332	650332	650332	650332	650332
Y1	Crystal, Quartz 3.600Mhz	1	650334	650334	650334	650334	650334
U3	Socket, PROM Carrier	1	650518-02	650518-02	650518-02	650518-02	650518-02
BR1	Bridge, Rectifier 4A, 200V	1	650581-03	650581-03	650581-03	650581-03	650581-03
C3, 15	Capacitor, Tantalum, Radial 10uF, 25V	2	(650583-07)	(650583-07)	(650583-07)	(650583-07)	(650583-07)
C14	Capacitor Tantalum, Radial	1	650583-09	650583-09	650583-09	650583-09	650583-09
U2	IC, Octal D-Type Latch	1	650611	650611	650611	650611	650611
U4-2	Socket, Dip, Low-Profile 32Pins	1	(650622-11)	(650622-11)	(650622-11)	(650622-11)	(650622-11)
Y1	Wire, 22awg, Auto-Inserted .450Lead	2	(650625-03)	(650625-03)	(650625-03)	(650625-03)	(650625-03)
ZR1	Transient Suppressor	1	650658-01	650658-01	650658-01	650658-01	650658-01
J2	Header, St. Sq., Pin, 3Pos	1	(650893-03)	(650893-03)	(650893-03)	(650893-03)	(650893-03)
DS1	Led, Clear red, Superbright	1	650910	650910	650910	650910	650910
C10, 11	Capacitor, Electr, Axial, 3300uF, 25V	2	(650954)	(650954)	(650954)	(650954)	(650954)
U1	IC, Microcontroller	1	651031	651031	651031	651031	651031
SW1	Switch, Tact Push	1	(651109)	(651109)	(651109)	(651109)	(651109)
U5	IC, I/O Expander	1	(651294)	(651294)	(651294)	(651294)	(651294)
J1	Box Connector Strip 12Pos	1	(651309-11)	(651309-11)	(651309-11)	(651309-11)	(651309-11)
RN1	Resistor, Network, 9Pins 10K Ohms	1	(651310)	(651310)	(651310)	(651310)	(651310)
VR1	Voltage Regulator, 7812 +12V, 1A	1	(651352)	(651352)	(651352)	(651352)	(651352)

Note: Part Numbers enclosed in brackets ( ) are not available individually, but may be sold in assemblies or kits.



IESP12SITES/ IESP16SITES/ IESP24SITES/ IESP32SITES/ IESP40SITES  
(STAINLESS STEEL PEDESTAL, INTERNATIONAL, 240 VOLT, 50 Hz)

PWB ASSY TERMINAL



Ref.	Description	Qty.	12	16	24	32	40
<b>PWB ASSY TERMINAL</b>			(633085-08)	(633085-09)	(633085-10)	(633085-11)	(633085-12)
LP45,47	Mov 56V,1000A	2	624624	624624	624624	624624	624624
LP46	Mov 56V,1000A	1	624624	624624	624624	624624	624624
-	Label, Bar Code 39	1	(631356-01)	(631356-01)	(631356-01)	(631356-01)	(631356-01)
-	Printed Wiring Board	1	(633086)	(633086)	(633086)	(633086)	(633086)
-	Solder	.001	(650160)	(650160)	(650160)	(650160)	(650160)
L1-8, L41,L42	Inductor, Ferrite Bead	10	650300-05	650300-05	650300-05	650300-05	650300-05
L9-12	Inductor, Ferrite Bead	4	650300-05	650300-05	650300-05	650300-05	650300-05
L13-16	Inductor, Ferrite Bead	4	-	650300-05	650300-05	650300-05	650300-05
L17-24	Inductor, Ferrite Bead	8	-	-	650300-05	650300-05	650300-05
L25-32	Inductor, Ferrite Bead	8	-	-	-	650300-05	650300-05

Note: Part Numbers enclosed in brackets ( ) are not available individually, but may be sold in assemblies or kits.

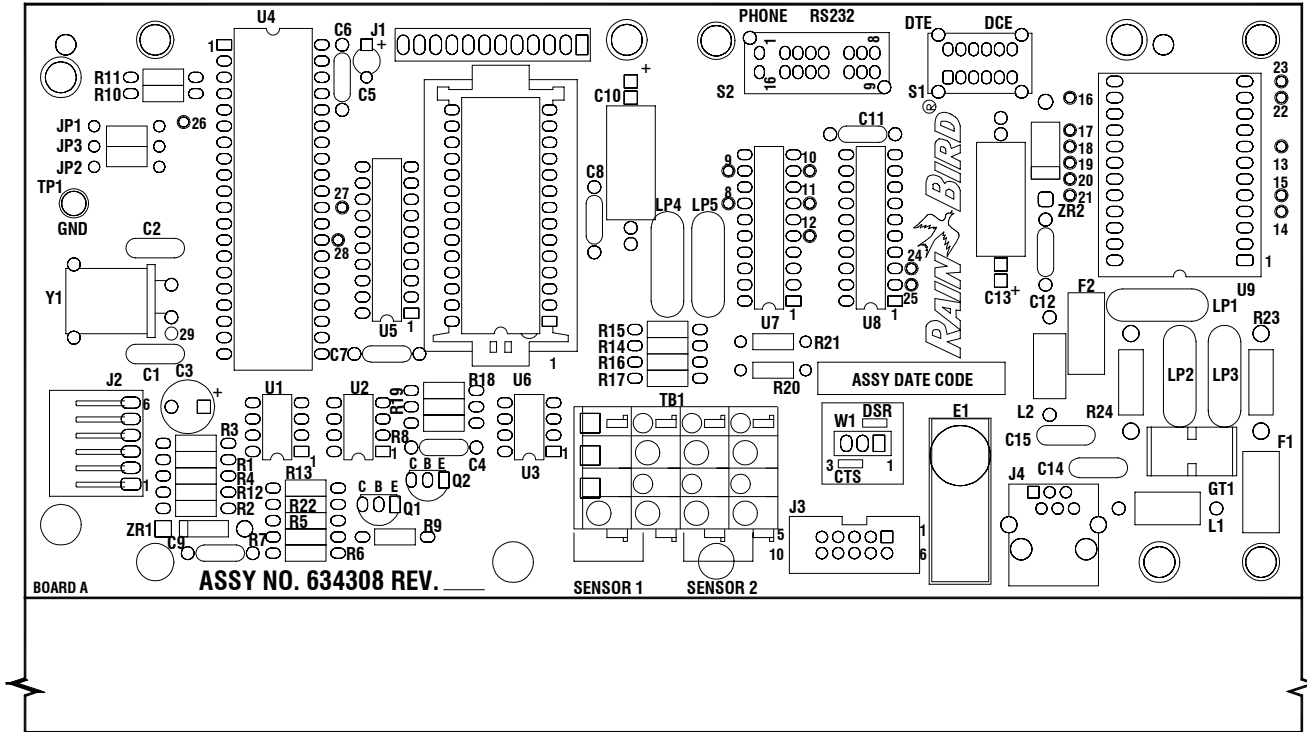
IESP12SITES/ IESP16SITES/ IESP24SITES/ IESP32SITES/ IESP40SITES  
(STAINLESS STEEL PEDESTAL, INTERNATIONAL, 240 VOLT, 50 Hz)

Ref.	Description	Qty.	12	16	24	32	40
<b>PWB ASSY TERMINAL, CONT.</b>							
L33-40	Inductor, Ferrite Bead	8	-	-	-	-	650300-05
-	Mini Fuse Clips .197 Dia	2	(650308)	(650308)	(650308)	(650308)	(650308)
J3	Connector, DB15S 15Pins	1	(650610-06)	(650610-06)	(650610-06)	(650610-06)	(650610-06)
J4	Connector, DB15S 15Pins	1	-	(650610-06)	(650610-06)	(650610-06)	(650610-06)
J5	Connector, DB15S 15Pins	1	-	-	-	(650610-06)	(650610-06)
J6	Connector, DB15S 15Pins	1	-	-	-	-	(650610-06)
J3	Jack Socket Kit	1	(650620)	(650620)	(650620)	(650620)	(650620)
J4	Jack Socket Kit	1	-	(650620)	(650620)	(650620)	(650620)
J5	Jack Socket Kit	1	-	-	-	(650620)	(650620)
J6	Jack Socket Kit	1	-	-	-	-	(650620)
R1	Resistor, 2%, 2W, .1Ohm	1	(650766-01)	(650766-01)	(650766-01)	(650766-01)	(650766-01)
LP1-8	Mov 20MM 47V, 2000A	10	650796	650796	650796	650796	650796
LP41,42							
LP9-12	Mov 20MM 47V, 2000A	4	650796	650796	650796	650796	650796
LP13-16	Mov 20MM 47V, 2000A	4	-	650796	650796	650796	650796
LP17-24	Mov 20MM 47V, 2000A	8	-	-	650796	650796	650796
LP25-32	Mov 20MM 47V, 2000A	8	-	-	-	650796	650796
LP33-40	Mov 20MM 47V, 2000A	8	-	-	-	-	650796
J1	Header, Polzd., .100Ctrs. 50Pins.	1	(650872-50)	(650872-50)	(650872-50)	(650872-50)	(650872-50)
LP44	Mov 47V, 1000A	1	650875	650875	650875	650875	650875
C1-8	Capacitor Ceramic Axial .01uF, 100V	10	(650882-01)	(650882-01)	(650882-01)	(650882-01)	(650882-01)
C41,42							
C9-12	Capacitor Ceramic Axial .01uF, 100V	4	(650882-01)	(650882-01)	(650882-01)	(650882-01)	(650882-01)
C13-16	Capacitor Ceramic Axial .01uF, 100V	4	-	(650882-01)	(650882-01)	(650882-01)	(650882-01)
C17-24	Capacitor Ceramic Axial .01uF, 100V	8	-	-	(650882-01)	(650882-01)	(650882-01)
C25-32	Capacitor Ceramic Axial .01uF, 100V	8	-	-	-	(650882-01)	(650882-01)
C33-40	Capacitor Ceramic Axial .01uF, 100V	8	-	-	-	-	(650882-01)
-	Mini Fuse .197Dia 2.5 Amp	1	650966-14	650966-14	650966-14	650966-14	650966-14
TB1,2	Terminal Block .300spc 1Pos	16	(651000-01)	(651000-01)	(651000-01)	(651000-01)	(651000-01)
TB3	Terminal Block .300spc 1Pos	8	(651000-01)	(651000-01)	(651000-01)	(651000-01)	(651000-01)
TB4	Terminal Block .300spc 1Pos	8	-	-	(651000-01)	(651000-01)	(651000-01)
TB5	Terminal Block .300spc 1Pos	8	-	-	-	(651000-01)	(651000-01)
TB6	Terminal Block .300spc 1Pos	8	-	-	-	-	(651000-01)
Q1-8	Triac, 6Amps	10	651138	651138	651138	651138	651138
Q41,42							
Q9-12	Triac, 6Amps	4	651138	651138	651138	651138	651138
Q13-16	Triac, 6Amps	4	-	651138	651138	651138	651138
Q17-24	Triac, 6Amps	8	-	-	651138	651138	651138
Q25-32	Triac, 6Amps	8	-	-	-	651138	651138
Q33-40	Triac, 6Amps	8	-	-	-	-	651138
LP43	Mov 50V, 2500A	1	(651272)	(651272)	(651272)	(651272)	(651272)

Note: Part Numbers enclosed in brackets ( ) are not available individually, but may be sold in assemblies or kits.

IESP12SITES/ IESP16SITES/ IESP24SITES/ IESP32SITES/ IESP40SITES  
 (STAINLESS STEEL PEDESTAL, INTERNATIONAL, 240 VOLT, 50 Hz)

**PWB ASSY ESP-SITE INTERFACE & MODEM**



Ref.	Description	Qty.	12	16	24	32	40
<b>PWB ASSY ESP-SITE INTERFACE &amp; MODEM</b>			(634308)	(634308)	(634308)	(634308)	(634308)
LP1-3	Mov 230Vac,4500A	3	(630386)	(630386)	(630386)	(630386)	(630386)
-	Label. Bar Code 39	1	(631356-01)	(631356-01)	(631356-01)	(631356-01)	(631356-01)
U6	PROM Carrier Assy	1	633323-03	633323-03	633323-03	633323-03	633323-03
-	Printed Wiring board Fabrication	1	(634309)	(634309)	(634309)	(634309)	(634309)
C1,2	Capacitor Ceramic,Disc,30pF,50V	2	(650012-15)	(650012-15)	(650012-15)	(650012-15)	(650012-15)
LP4,5	Mov 33V,500A	2	650015	650015	650015	650015	650015
ZR1	Diode Zener, 5.1V	1	(650038-70)	(650038-70)	(650038-70)	(650038-70)	(650038-70)
C13	Capacitor, Electrl,Axial 100uF,10V	1	(650044-05)	(650044-05)	(650044-05)	(650044-05)	(650044-05)
R1	Resistor,Carbon Film,1/4W 100Ohms	1	650079-49	650079-49	650079-49	650079-49	650079-49
R3,13	Resistor,Carbon Film,1/4W 270Ohms	2	(650079-59)	(650079-59)	(650079-59)	(650079-59)	(650079-59)
R14-17	Resistor,Carbon Film,1/4W 1KOhm	4	(650079-73)	(650079-73)	(650079-73)	(650079-73)	(650079-73)
R2	Resistor,Carbon Film,1/4W 1.5KOhms	1	(650079-77)	(650079-77)	(650079-77)	(650079-77)	(650079-77)
R4,20, R21	Resistor,Carbon Film,1/4W 2KOhms	3	(650079-80)	(650079-80)	(650079-80)	(650079-80)	(650079-80)
R6,8,9, 18,19,22	Resistor,Carbon Film, 1/4W 4.7KOhms	6	650079-89	650079-89	650079-89	650079-89	650079-89

Note: Part Numbers enclosed in brackets ( ) are not available individually, but may be sold in assemblies or kits.

IESP12SITES/ IESP16SITES/ IESP24SITES/ IESP32SITES/ IESP40SITES  
(STAINLESS STEEL PEDESTAL, INTERNATIONAL, 240 VOLT, 50 Hz)

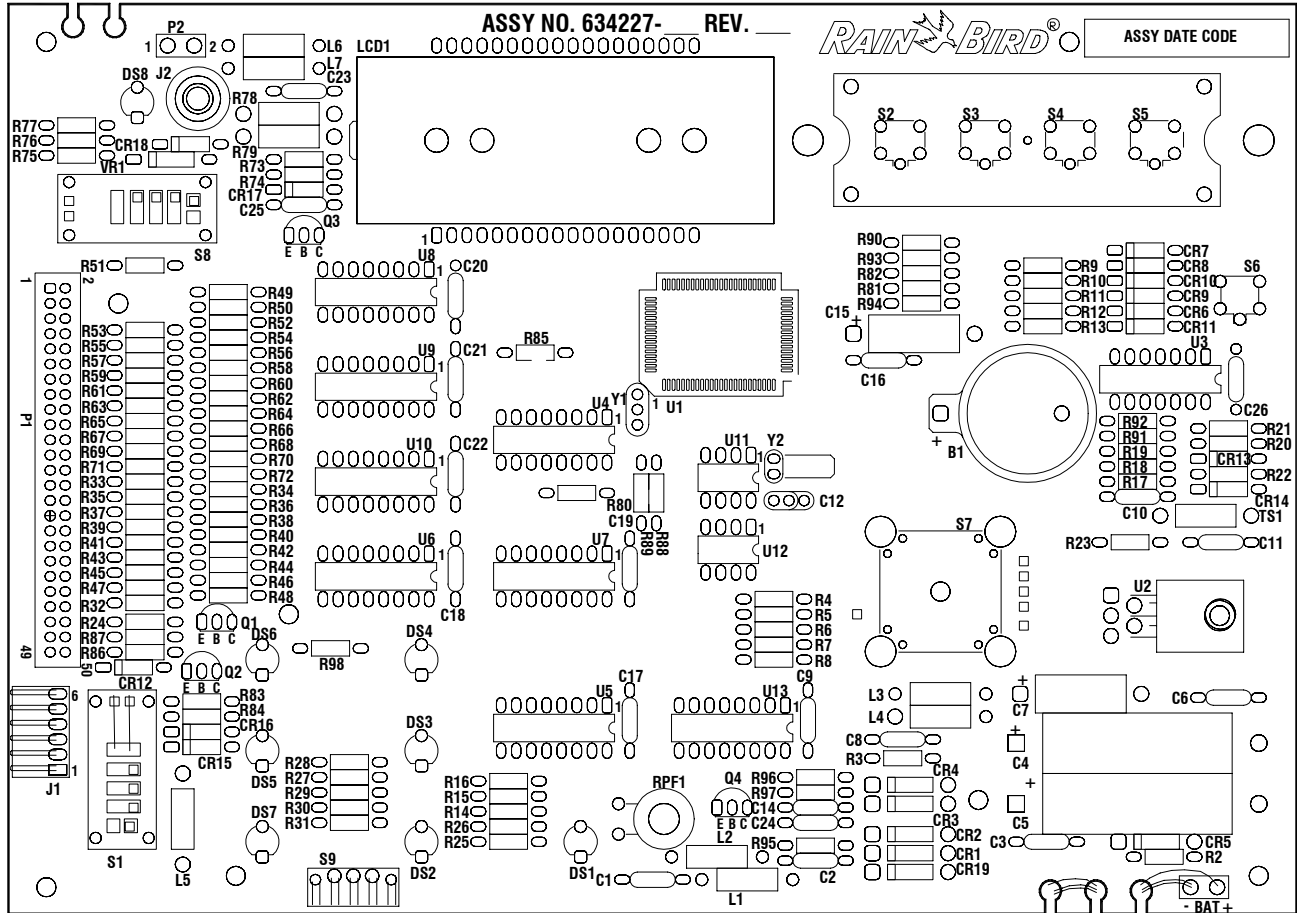
Ref.	Description	Qty.	12	16	24	32	40
<b>PWB ASSY ESP-SITE INTERFACE &amp; MODEM, CONT.</b>							
R12	Resistor, Carbon Film, 1/4W 10KOhms	1	(650079-97)	(650079-97)	(650079-97)	(650079-97)	(650079-97)
R5,7,10,R11	Resistor, Carbon Film, 1/4W 47K Ohms	4	(650080-14)	(650080-14)	(650080-14)	(650080-14)	(650080-14)
C10	Capacitor, Electrl, Axial 10uF, 16V	1	(650083-01)	(650083-01)	(650083-01)	(650083-01)	(650083-01)
C4,12	Capacitor, Ceramic, Axial .01uF, 50V	2	650085-31	650085-31	650085-31	650085-31	650085-31
C6-9,11	Capacitor, Ceramic Axial 0.1uF, 50V	5	(650085-55)	(650085-55)	(650085-55)	(650085-55)	(650085-55)
TP1	Test Point, PC Mount	1	(650336-01)	(650336-01)	(650336-01)	(650336-01)	(650336-01)
Q1,2	TransistormPNP	2	650369	650369	650369	650369	650369
W1	Plug, Shorting	1	(650417)	(650417)	(650417)	(650417)	(650417)
U1,2,3	IC, Opto-Coupler	3	650445	650445	650445	650445	650445
W1	Header, .100Ctrs 3Pins	1	(650454-03)	(650454-03)	(650454-03)	(650454-03)	(650454-03)
L1,2	Inductor Ferrite Bead Lead	2	(650509)	(650509)	(650509)	(650509)	(650509)
C14,15	Capacitor, Ceramic, Radial .005uF, 1KV	2	(650516)	(650516)	(650516)	(650516)	(650516)
U6	Socket, PROM Carrier	1	650518-02	650518-02	650518-02	650518-02	650518-02
U8	IC, RS-232 Driver/Receiver	1	650559	650559	650559	650559	650559
C5	Capacitor, Tantalum, Radial 2.2uF, 25V	1	650583-03	650583-03	650583-03	650583-03	650583-03
C3	Capacitor, Tantalum, Radial 22uF, 25V	1	650583-09	650583-09	650583-09	650583-09	650583-09
S1	Switch, Slide, 4PDT	1	650609	650609	650609	650609	650609
U5	IC, Octal D-Type Latch	1	650611	650611	650611	650611	650611
Y1	Wire, 22Awg, Auto-Inserted .450Lead SP	.55	(650625-03)	(650625-03)	(650625-03)	(650625-03)	(650625-03)
ZR2	Transient Supresor	1	650658-01	650658-01	650658-01	650658-01	650658-01
Y1	Crystal, Quartz 11.059 MHz	1	650721	650721	650721	650721	650721
J3	Header, Low Profile 1- Pos	1	(650872-10)	(650872-10)	(650872-10)	(650872-10)	(650872-10)
TB1	Terminal Block, .300LD SP	4	(651000-01)	(651000-01)	(651000-01)	(651000-01)	(651000-01)
U7	IC, Noninverting Buffer	1	(651001)	(651001)	(651001)	(651001)	(651001)
U9	IC, Modem Module	1	(651002)	(651002)	(651002)	(651002)	(651002)
S2	Switch, Slide, 4P3T	1	(651003)	(651003)	(651003)	(651003)	(651003)
J2	Header, Polzd, Right Angle .098Ctrs	1	(651005-06)	(651005-06)	(651005-06)	(651005-06)	(651005-06)
U4	IC, Microcontroller	1	651031	651031	651031	651031	651031
J1	Board Spacerm .025" Sq.	1	(651308-11)	(651308-11)	(651308-11)	(651308-11)	(651308-11)
J4	Connector, Modular Jask, Low Prof.	1	(651317)	(651317)	(651317)	(651317)	(651317)
F1,2	Polyswitch, Series TR600	2	(651318)	(651318)	(651318)	(651318)	(651318)
R23,24	Resistor, Power metal Film	2	(651322)	(651322)	(651322)	(651322)	(651322)
GT1	Protector, Surge, Spark Gap	1	(651427)	(651427)	(651427)	(651427)	(651427)

Note: Part Numbers enclosed in brackets ( ) are not available individually, but may be sold in assemblies or kits.



IESP12SITES/ IESP16SITES/ IESP24SITES/ IESP32SITES/ IESP40SITES  
(STAINLESS STEEL PEDESTAL, INTERNATIONAL, 240 VOLT, 50 Hz)

PWB ASSY ESP-MC ESC-1 CONTROLLER



Ref.	Description	Qty.	12	16	24	32	40
<b>PWB ASSY ESP-MC ESC-1 CONTROLLER</b>			(634227-02)	(634227-03)	(634227-04)	(634227-05)	(634227-06)
S7	Switch Rotary	1	(630609)	(630609)	(630609)	(630609)	(630609)
S8	Switch, Slide	1	(630651)	(630651)	(630651)	(630651)	(630651)
-	Label, Bar Code 39	1	(631356-01)	(631356-01)	(631356-01)	(631356-01)	(631356-01)
LCD1	Spacer, LCD	1	(632046)	(632046)	(632046)	(632046)	(632046)
P2	Sensor Cable	1	(632048-01)	(632048-01)	(632048-01)	(632048-01)	(632048-01)
J2	Spring, Shield .70 Long	1	(632898-01)	(632898-01)	(632898-01)	(632898-01)	(632898-01)
LCD1	Liquid, Crystal Display	1	(633087)	(633087)	(633087)	(633087)	(633087)
U1	Microcomp., Toshiba, OTP	1	(633088)	(633088)	(633088)	(633088)	(633088)
P1	Ribbon Cable Assy 50Ckts	1	(633090)	(633090)	(633090)	(633090)	(633090)
-	Printed Wiring Board	1	(634228)	(634228)	(634228)	(634228)	(634228)
C12	Capacitor, ceramic radial 6pF, 50V	1	(650012-04)	(650012-04)	(650012-04)	(650012-04)	(650012-04)
U2	Washer, Flat, carbon Steel	1	(650023-03)	(650023-03)	(650023-03)	(650023-03)	(650023-03)

Note: Part Numbers enclosed in brackets ( ) are not available individually, but may be sold in assemblies or kits.



IESP12SITES/ IESP16SITES/ IESP24SITES/ IESP32SITES/ IESP40SITES  
 (STAINLESS STEEL PEDESTAL, INTERNATIONAL, 240 VOLT, 50 Hz)

Ref.	Description	Qty.	12	16	24	32	40
<b>PWB ASSY ESP-MC ESC-1 CONTROLLER, CONT.</b>							
CR6	Diode, Switching	1	650037-01	650037-01	650037-01	650037-01	650037-01
CR7	Diode, Switching	1	650037-01	-	650037-01	-	650037-01
CR8	Diode, Switching	1	-	650037-01	650037-01	-	-
CR9	Diode, Switching	1	-	-	-	650037-01	650037-01
CR11-18	Diode, Switching	8	650037-01	650037-01	650037-01	650037-01	650037-01
VR1	Diode, Zener, 500mW, 5.6V	1	(650038-71)	(650038-71)	(650038-71)	(650038-71)	(650038-71)
C7, 15	Capacitor, Electrolytic, Axial 47uF, 10V	2	(650044-03)	(650044-03)	(650044-03)	(650044-03)	(650044-03)
BAT	Battery Snap 9V	1	650075	650075	650075	650075	650075
CR1-5 C19	Diode, Gen Purpose, 1Amp	6	650077-02	650077-02	650077-02	650077-02	650077-02
R23, 85 R98	Resistor, Carbon Film, 1/4W, 10Ohms	2	(650079-25)	(650079-25)	(650079-25)	(650079-25)	(650079-25)
R49-56 R24, 32,	Resistor, Carbon Film 1/4W, 150Ohms	11	(650079-53)	(650079-53)	(650079-53)	(650079-53)	(650079-53)
R57-60	Resistor, Carbon Film 1/4W, 150Ohms	4	(650079-53)	(650079-53)	(650079-53)	(650079-53)	(650079-53)
R61-64	Resistor, Carbon Film 1/4W, 150Ohms	4	-	(650079-53)	(650079-53)	(650079-53)	(650079-53)
R65-72	Resistor, Carbon Film 1/4W, 150Ohms	8	-	-	(650079-53)	(650079-53)	(650079-53)
R33-40	Resistor, Carbon Film 1/4W, 150Ohms	8	-	-	-	(650079-53)	(650079-53)
R41-48	Resistor, Carbon Film 1/4W, 150Ohms	8	-	-	-	-	(650079-53)
R25-31	Resistor, Carbon Film 1/4W 470Ohms	7	(650079-65)	(650079-65)	(650079-65)	(650079-65)	(650079-65)
R17, 95	Resistor, Carbon Film, 1/4W, 1KOhm	2	(650079-73)	(650079-73)	(650079-73)	(650079-73)	(650079-73)
R76	Resistor, Carbon Film, 1/4W, 2KOhms	1	(650079-80)	(650079-80)	(650079-80)	(650079-80)	(650079-80)
R2 R88-90	Resistor, Carbon Film, 1/4W 3.3KOhms	1	(650079-85)	(650079-85)	(650079-85)	(650079-85)	(650079-85)
R84, 87 R20-22	Resistor, Carbon Film, 1/4W, 4.7KOhms	8	650079-89	650079-89	650079-89	650079-89	650079-89
R92	Resistor, Carbon Film, 1/4W, 8.2KOhms	1	(650079-95)	(650079-95)	(650079-95)	(650079-95)	(650079-95)
R19, 91	Resistor, Carbon Film, 1/4W, 10Kohms	2	(650079-97)	(650079-97)	(650079-97)	(650079-97)	(650079-97)
R83, 86 R18, 80	Resistor, Carbon Film, 1/4W, 47KOhms	4	(650080-14)	(650080-14)	(650080-14)	(650080-14)	(650080-14)
R94 R82, 93, R43, 81 R4-16	Resistor, Carbon Film, 1/4W 100Kohms	18	(650080-22)	(650080-22)	(650080-22)	(650080-22)	(650080-22)
R96, 97 R74, 75 R3	Resistor, Carbon Film, 1/4W, 220KOhms	5	(650080-30)	(650080-30)	(650080-30)	(650080-30)	(650080-30)
C20, 24 C16, 17 C10, 14 C3, 8, 9	Capacitor, Ceramic Axial .1uF, 50V	9	(650085-55)	(650085-55)	(650085-55)	(650085-55)	(650085-55)

Note: Part Numbers enclosed in brackets ( ) are not available individually, but may be sold in assemblies or kits.

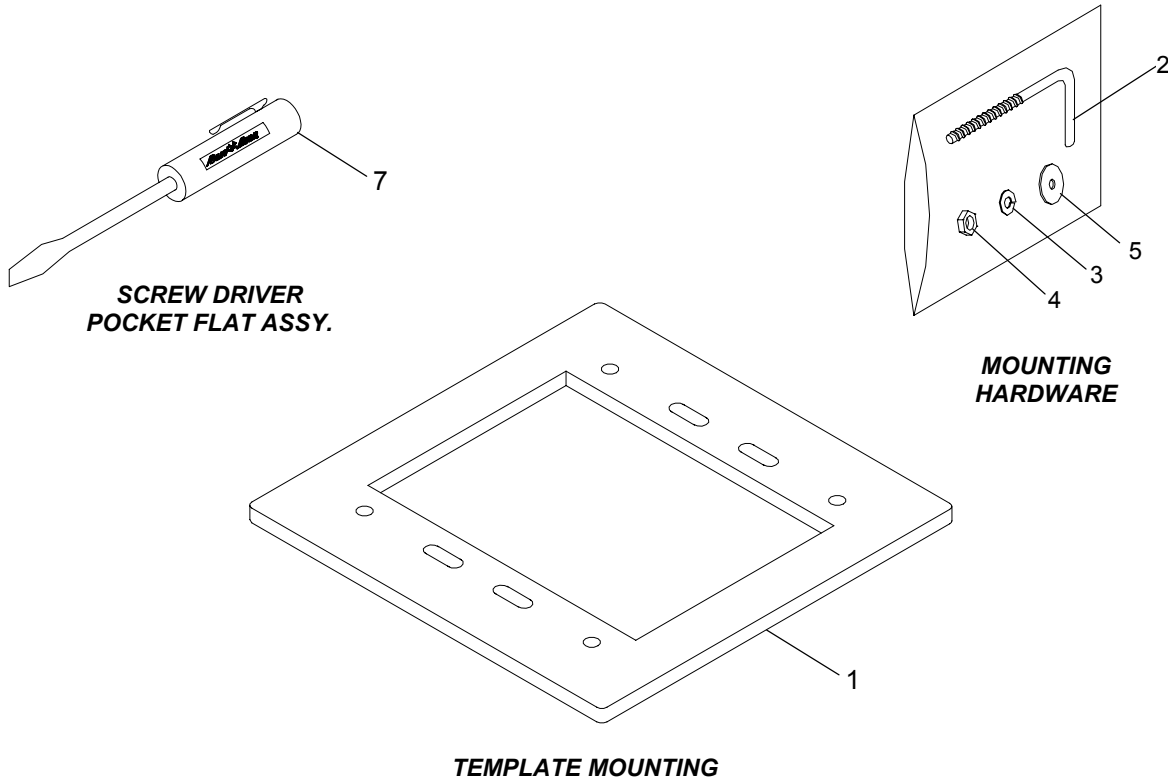
IESP12SITES/ IESP16SITES/ IESP24SITES/ IESP32SITES/ IESP40SITES  
(STAINLESS STEEL PEDESTAL, INTERNATIONAL, 240 VOLT, 50 Hz)

Ref.	Description	Qty.	12	16	24	32	40
<b>PWB ASSY ESP-MC ESC-1 CONTROLLER, CONT.</b>							
C21	Capacitor, Ceramic Axial .1uF, 50V	1	(650085-55)	(650085-55)	(650085-55)	(650085-55)	(650085-55)
C22	Capacitor, Ceramic Axial .1uF, 50V	1	-	-	(650085-55)	(650085-55)	(650085-55)
C18	Capacitor, Ceramic Axial .1uF, 50V	1	-	-	-	(650085-55)	(650085-55)
C19	Capacitor, Ceramic Axial .1uF, 50V	1	-	-	-	-	(650085-55)
U2	Rivet, Blind Dome HD. .125Dia	1	(650139-05)	(650139-05)	(650139-05)	(650139-05)	(650139-05)
R78,79	Resistor, Carbon Film, 1/2W, 1KOhms	2	(650202-73)	(650202-73)	(650202-73)	(650202-73)	(650202-73)
L1-7	Inductor, Ferrite Bead	7	650300-05	650300-05	650300-05	650300-05	650300-05
U3	IC Quad OP Amp	1	650358	650358	650358	650358	650358
Q3,4	Transistor, NPN, 624mW	2	650367	650367	650367	650367	650367
Q1,2	Transistor, PNP	2	650369	650369	650369	650369	650369
Y2	Crystal, Quartz 32.768KHz	1	(650484)	(650484)	(650484)	(650484)	(650484)
TS1	Transient Suppressor 6.8V	1	(650595-01)	(650595-01)	(650595-01)	(650595-01)	(650595-01)
C5	Capacitor, Electrolytic, Axial 330uF, 25V	1	(650624)	(650624)	(650624)	(650624)	(650624)
U4	3-8 Line Decoder	1	650699	650699	650699	650699	650699
S2,3,4 S5,6	Switch, Pushbutton	5	(650748)	(650748)	(650748)	(650748)	(650748)
C23,25 C1,2,11	Capacitor, ceramic Axial .01uF, 100V	5	(650882-01)	(650882-01)	(650882-01)	(650882-01)	(650882-01)
C6	Capacitor, NPO, Axial 10pF, 100V	1	(650883-13)	(650883-13)	(650883-13)	(650883-13)	(650883-13)
C26	Capacitor, NPO, Axial 220pF, 100V	1	(650883-17)	(650883-17)	(650883-17)	(650883-17)	(650883-17)
U5,8	8Bit Addressable Latch	2	650889	650889	650889	650889	650889
U9	8Bit Addressable Latch	1	650889	650889	650889	650889	650889
U10	8Bit Addressable Latch	1	-	-	650889	650889	650889
U6	8Bit Addressable Latch	1	-	-	-	650889	650889
U7	8Bit Addressable Latch	1	-	-	-	-	650889
DS1-8	Led, red, .200Ctrs.	8	650910	650910	650910	650910	650910
U2	Regulator, Low Dropout	1	(650962)	(650962)	(650962)	(650962)	(650962)
J2	Eyelet, Spring	1	(650985)	(650985)	(650985)	(650985)	(650985)
J1	Header, Polzd. Radial, .100Ctrs 6Pins	1	(651005-06)	(651005-06)	(651005-06)	(651005-06)	(651005-06)
B1	Battery, Lithium	1	(651009)	(651009)	(651009)	(651009)	(651009)
B1	Holder, Battery Coin	1	(651010)	(651010)	(651010)	(651010)	(651010)
U11	IC, Real Time Clock	1	(651011)	(651011)	(651011)	(651011)	(651011)
U12	IC, EEPROM-4K Byte, Serial	1	(651012)	(651012)	(651012)	(651012)	(651012)
Y1	Resonator, ceramic 8.00MHz	1	(651013)	(651013)	(651013)	(651013)	(651013)
U13	IC, 8Bit Input Mux	1	(651014)	(651014)	(651014)	(651014)	(651014)
C4	Capacitor, Electrolytic, Axial 1000uF, 25V	1	(651054-12)	(651054-12)	(651054-12)	(651054-12)	(651054-12)
RPF1	Polyswitch, RXE, 60V, .65A	1	(651055-08)	(651055-08)	(651055-08)	(651055-08)	(651055-08)
S9	Switch Slide	1	(651292)	(651292)	(651292)	(651292)	(651292)

Note: Part Numbers enclosed in brackets ( ) are not available individually, but may be sold in assemblies or kits.



IESP12SITES/ IESP16SITES/ IESP24SITES/ IESP32SITES/ IESP40SITES  
 (STAINLESS STEEL PEDESTAL, INTERNATIONAL, 240 VOLT, 50 Hz)



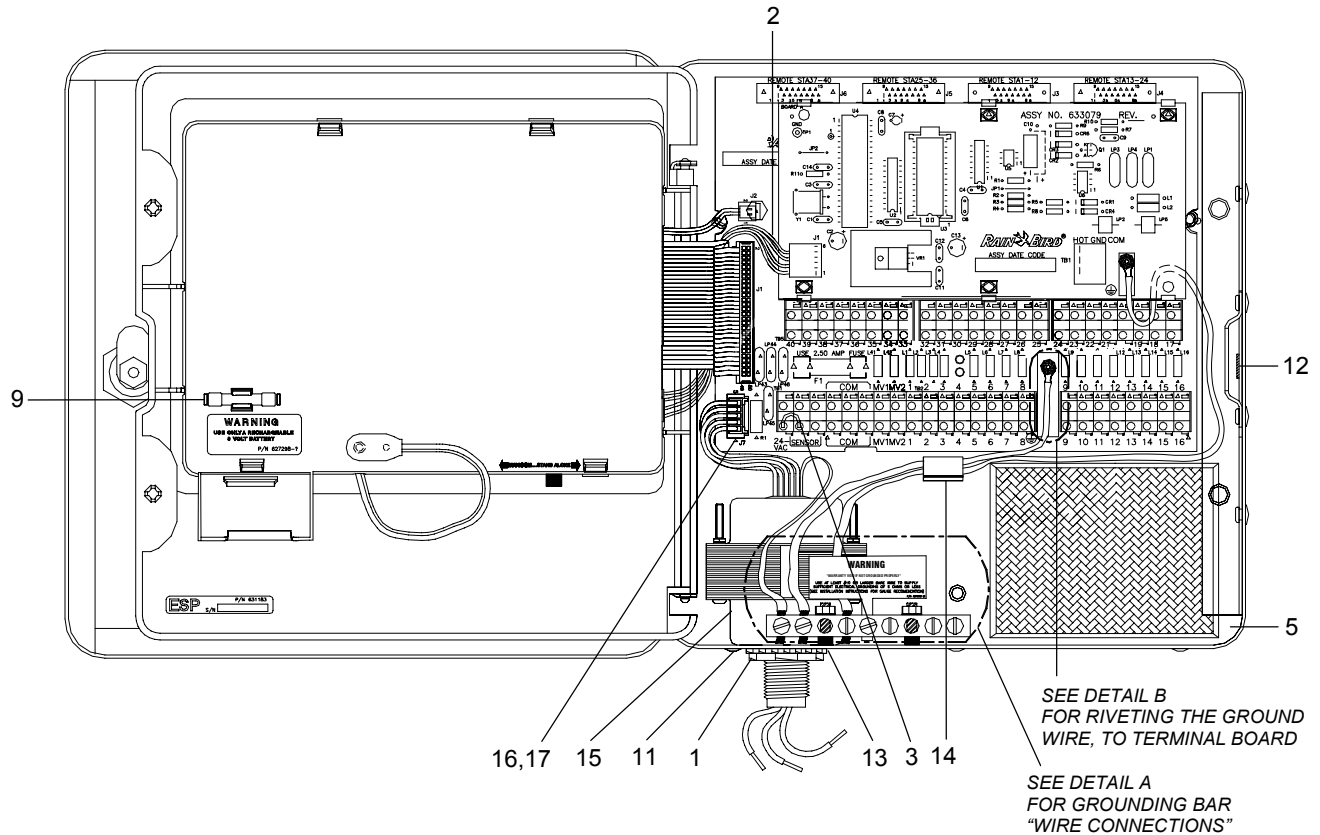
**TEMPLATE MOUNTING**

Ref.	Description	Qty.	12	16	24	32	40
<b>ACCESSORIES</b>							
-	Bag, Poly 6x8	2	(601846)	(601846)	(601846)	(601846)	(601846)
1	Template Mounting Plastic	1	629602	629602	629602	629602	629602
-	Mounting Hardware						
2	Bolt Anchor	4	629557	629557	629557	629557	629557
3	Washer 5/16 Lock-Spring	4	(650029-07)	(650029-07)	(650029-07)	(650029-07)	(650029-07)
4	Nut, Hex 5/16	4	(650033-07)	(650033-07)	(650033-07)	(650033-07)	(650033-07)
5	Washer Flat 5/6 Type B	4	(650441)	(650441)	(650441)	(650441)	(650441)
-	Instructions, Installation & Oper	1	633686	633686	633686	633686	633686
-	Guide, Operations Addendum	1	(633942)	(633942)	(633942)	(633942)	(633942)
-	Cable Assy., Modem-Site	1	(634356)	(634356)	(634356)	(634356)	(634356)
-	Manual Addendum, Esp-Site	1	(634482)	(634482)	(634482)	(634482)	(634482)
-	Grounding Int. Addendum Ss Cont	1	(635009)	(635009)	(635009)	(635009)	(635009)
6	Assy, Screw Driver Pocket Flat	1	(650810)	(650810)	(650810)	(650810)	(650810)
-	Label, Screw Driver	1	(635095)	(635095)	(635095)	(635095)	(635095)
-	Screw Driver Pocket Flat Blade	1	(651475)	(651475)	(651475)	(651475)	(651475)
-	Bag, Zip Lock, Plastic 2.5x3	2	(650924-01)	(650924-01)	(650924-01)	(650924-01)	(650924-01)
-	Battery, Nicad 7.2V	1	650929	650929	650929	650929	650929

Note: Part Numbers enclosed in brackets ( ) are not available individually, but may be sold in assemblies or kits.

ESP12SAT2W/ ESP16SAT2W/ ESP24SAT2W/ ESP32SAT2W/ ESP40SAT2W  
 (TWO-WIRE COMMUNICATION, METAL WALL MOUNT, 120 VOLT, 60 Hz)

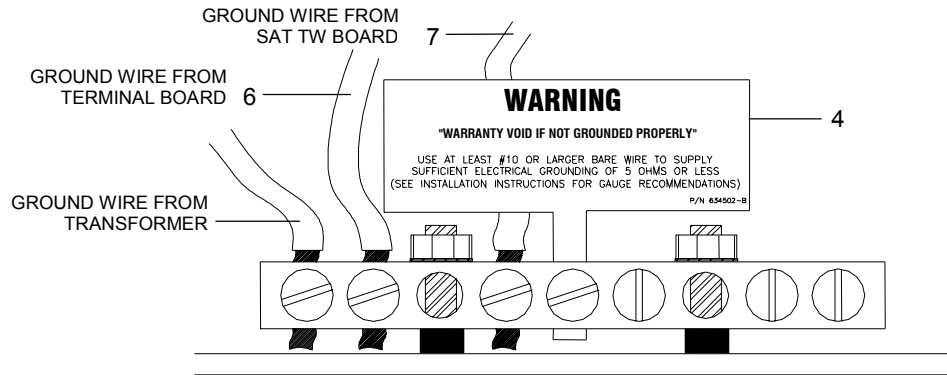
CONTROLLER ASSEMBLY



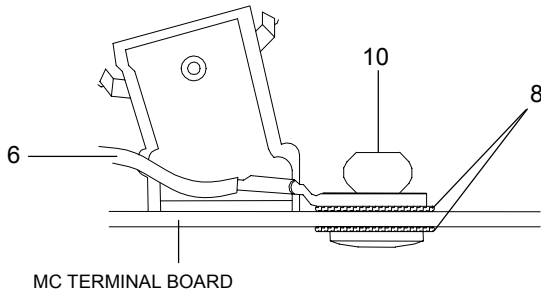
Ref.	Description	Qty.	12	16	24	32	40
<b>CONTROLLER ASSEMBLY</b>			(633460-02)	(633460-03)	(633460-04)	(633460-05)	(633460-06)
1	Locknut Conduit	1	(628013)	(628013)	(628013)	(628013)	(628013)
2	Cable Assy, 2Wire/Link Intfc-Mc	1	(633132)	(633132)	(633132)	(633132)	(633132)
3	Sensor Jumper Wire	1	(633442)	(633442)	(633442)	(633442)	(633442)
4	Label Warning Grounding	1	(634502)	(634502)	(634502)	(634502)	(634502)
-	Label, Warning Corrosion Inhibitor	1	(634558)	(634558)	(634558)	(634558)	(634558)
5	Parts Box Wm Cabinets	1	(634612)	(634612)	(634612)	(634612)	(634612)
6	Ground Wire Assy 12 Awg (11)	1	(634943-11)	(634943-11)	(634943-11)	(634943-11)	(634943-11)
7	Ground Wire Assy 12 Awg (19)	1	(634943-19)	(634943-19)	(634943-19)	(634943-19)	(634943-19)

Note: Part Numbers enclosed in brackets ( ) are not available individually, but may be sold in assemblies or kits.

ESP12SAT2W/ ESP16SAT2W/ ESP24SAT2W/ ESP32SAT2W/ ESP40SAT2W  
 (TWO-WIRE COMMUNICATION, METAL WALL MOUNT, 120 VOLT, 60 Hz)



**DETAIL A**  
 VIEWED FROM OUTSIDE  
 OF THE CONTROLLER



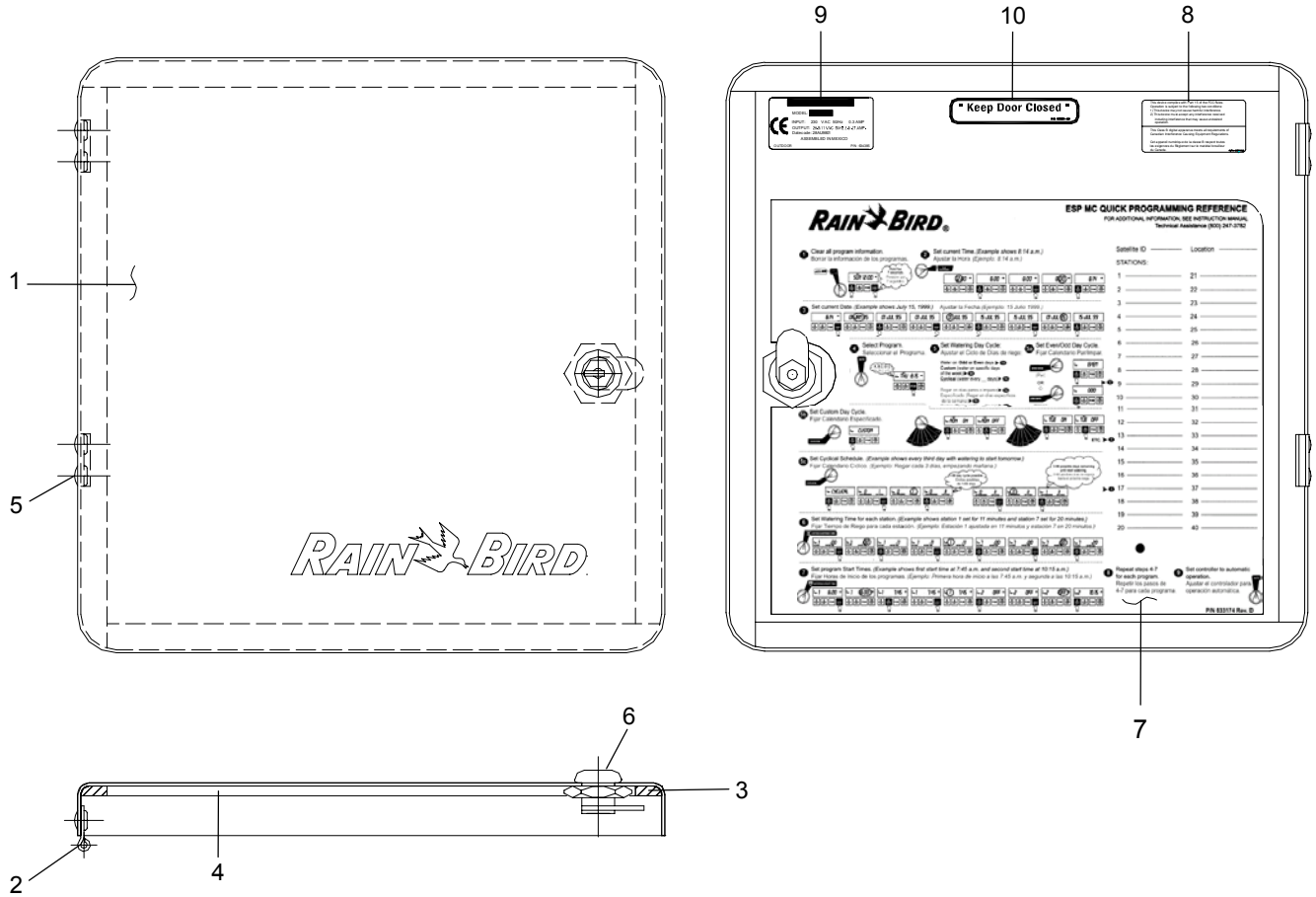
**DETAIL B**  
 VIEWED FROM RIGHT SIDE  
 OF THE CONTROLLER

Ref.	Description	Qty.	12	16	24	32	40
<b>CONTROLLER ASSEMBLY, CONT.</b>							
-	Label, KeyHole	2	(635011)	(635011)	(635011)	(635011)	(635011)
8	Washer Lock, #10, Ext-Tooth, Z-Pltd	4	(650162-04)	(650162-04)	(650162-04)	(650162-04)	(650162-04)
-	Screw Phl Pnh Hi-Lo 7-19x1/2	3	(650183-63)	(650183-63)	(650183-63)	(650183-63)	(650183-63)
9	Fuse, slowblow, 250V, 2-1/2 Amp	1	(650431-28)	(650431-28)	(650431-28)	(650431-28)	(650431-28)
10	Rivet, Blind 0.19	2	(650434-13)	(650434-13)	(650434-13)	(650434-13)	(650434-13)
11	Plug, Hole .250, Nyl, White	5	(650485-04)	(650485-04)	(650485-04)	(650485-04)	(650485-04)
-	Spacer, Circuit Board, Edge Hold	6	(650912-10)	(650912-10)	(650912-10)	(650912-10)	(650912-10)
12	Impregnated Foam Corrosion Inh	1	(651331)	(651331)	(651331)	(651331)	(651331)
13	Lock Washer, External Tooth	1	(651389)	(651389)	(651389)	(651389)	(651389)
14	Wire Clip With Adhesive	1	(651446-02)	(651446-02)	(651446-02)	(651446-02)	(651446-02)
<b>XFMR ASSY.</b>			633148-01	633148-01	633148-01	633148-01	633148-01
15	Xfmr, Power-26.5 Vac/ 60Hz	1	(633146)	(633146)	(633146)	(633146)	(633146)
-	Cable Tie, Nylon 7/8 Bundle	1	650131	650131	650131	650131	650131
16	Terminal Crimp Molex	5	(650323)	(650323)	(650323)	(650323)	(650323)
17	Housing Crimp Terminal 5 Circ	1	(650873-05)	(650873-05)	(650873-05)	(650873-05)	(650873-05)

Note: Part Numbers enclosed in brackets ( ) are not available individually, but may be sold in assemblies or kits.

ESP12SAT2W/ ESP16SAT2W/ ESP24SAT2W/ ESP32SAT2W/ ESP40SAT2W  
(TWO-WIRE COMMUNICATION, METAL WALL MOUNT, 120 VOLT, 60 Hz)

DOOR ASSEMBLY

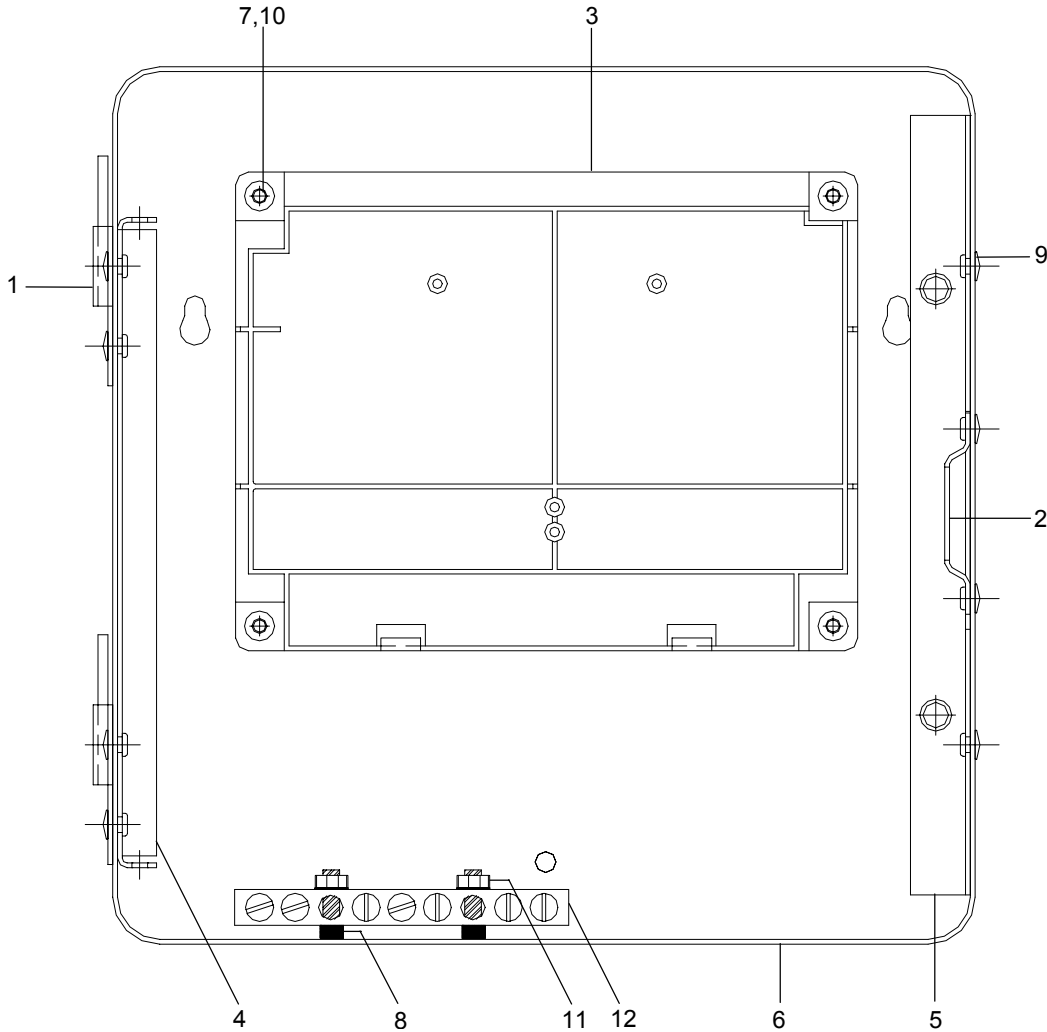


Ref.	Description	Qty.	12	16	24	32	40
<b>DOOR ASSEMBLY</b>			(633173-03)	(633173-03)	(633173-03)	(633173-03)	(633173-03)
-	Door Assy, Gray Dep Draw	1	629321-03	629321-03	629321-03	629321-03	629321-03
1	Door, Painted Gray	1	(629113-03)	(629113-03)	(629113-03)	(629113-03)	(629113-03)
2	Hinge Slip Joint F	2	(629227-02)	(629227-02)	(629227-02)	(629227-02)	(629227-02)
3	Gasket Foam 10.63	2	(629620-01)	(629620-01)	(629620-01)	(629620-01)	(629620-01)
4	Gasket Foam 10.43	2	(629620-02)	(629620-02)	(629620-02)	(629620-02)	(629620-02)
5	Rivet Semi Tubular Oval A	4	(650401)	(650401)	(650401)	(650401)	(650401)
6	Lock, Cam	1	650755	650755	650755	650755	650755
7	Label/Envelope	1	(633174)	(633174)	(633174)	(633174)	(633174)
8	Label, Fcc Compliance, E-Class	1	(633662)	(633662)	(633662)	(633662)	(633662)
9	Label, Rating	1	(634385-05)	(634385-05)	(634385-05)	(634385-05)	(634385-05)
10	Label, Keep Door Closed	1	(634501)	(634501)	(634501)	(634501)	(634501)

Note: Part Numbers enclosed in brackets ( ) are not available individually, but may be sold in assemblies or kits.

ESP12SAT2W/ ESP16SAT2W/ ESP24SAT2W/ ESP32SAT2W/ ESP40SAT2W  
 (TWO-WIRE COMMUNICATION, METAL WALL MOUNT, 120 VOLT, 60 Hz)

CABINET ASSEMBLY

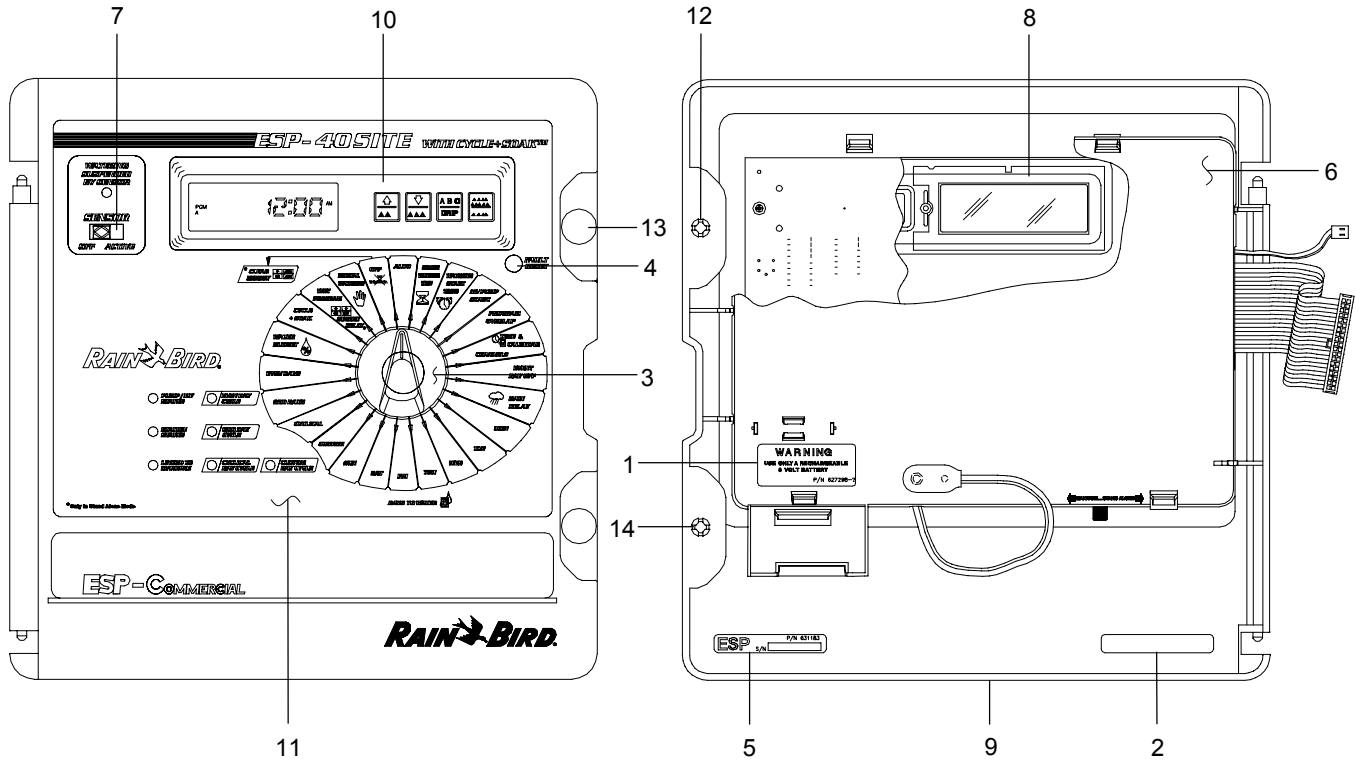


Ref.	Description	Qty.	12	16	24	32	40
<b>CABINET ASSEMBLY</b>			(633166-01)	(633166-01)	(633166-01)	(633166-01)	(633166-01)
1	Hinge Slip Joint M	2	(629227-01)	(629227-01)	(629227-01)	(629227-01)	(629227-01)
2	Strike Lock	1	(629234)	(629234)	(629234)	(629234)	(629234)
3	Spacer, Terminal Board	1	(631919)	(631919)	(631919)	(631919)	(631919)
4	Rail, Hinge	1	(631921)	(631921)	(631921)	(631921)	(631921)
5	Rail, Mounting Paragon	1	(631922)	(631922)	(631922)	(631922)	(631922)
6	Cabinet Draw Formed	1	(634126-03)	(634126-03)	(634126-03)	(634126-03)	(634126-03)
7	Washer, Flat #10 .032	4	(650023-13)	(650023-13)	(650023-13)	(650023-13)	(650023-13)
8	Nut, Pl, Hex, #8-32, Cres, Psvtd	2	(650033-04)	(650033-04)	(650033-04)	(650033-04)	(650033-04)
9	Rivet Semi Tubular Oval A	8	(650401)	(650401)	(650401)	(650401)	(650401)
10	Rivet, Blid 0.19	4	(650434-13)	(650434-13)	(650434-13)	(650434-13)	(650434-13)
11	Nut, #8-32 Hex W/Star Washer	2	(650634-04)	(650634-04)	(650634-04)	(650634-04)	(650634-04)
12	Bar Bus Grounding	1	(651440)	(651440)	(651440)	(651440)	(651440)

Note: Part Numbers enclosed in brackets ( ) are not available individually, but may be sold in assemblies or kits.

ESP12SAT2W/ ESP16SAT2W/ ESP24SAT2W/ ESP32SAT2W/ ESP40SAT2W  
 (TWO-WIRE COMMUNICATION, METAL WALL MOUNT, 120 VOLT, 60 Hz)

FRONT PANEL ASSEMBLY

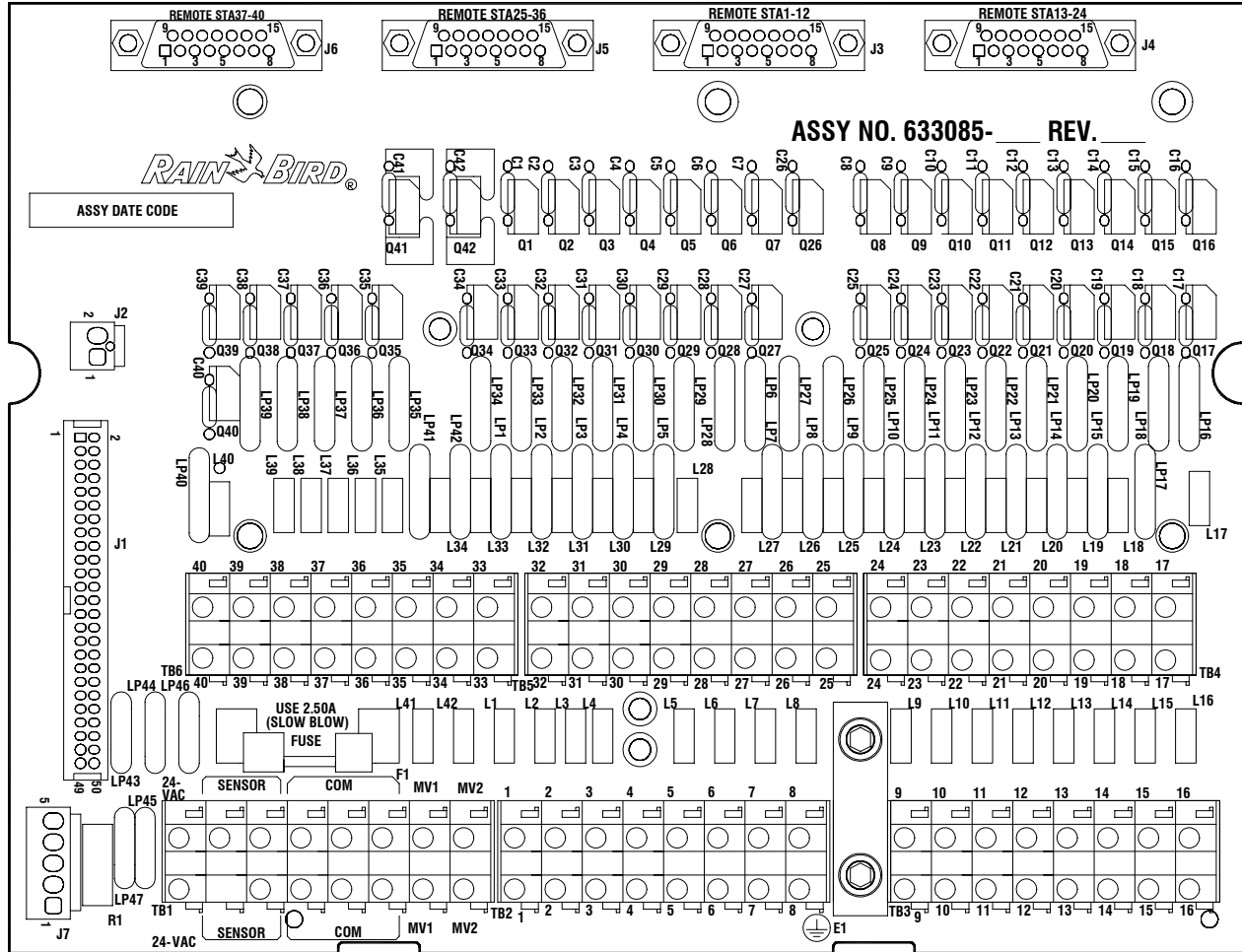


Ref.	Description	Qty.	12	16	24	32	40
<b>FRONT PANEL ASSEMBLY</b>			(633461-02)	(633461-03)	(633461-04)	(633461-05)	(633461-06)
1	Label Warning Cic 8/12	1	(627298)	(627298)	(627298)	(627298)	(627298)
2	Label Date Code	1	(627867)	(627867)	(627867)	(627867)	(627867)
3	Funct Select Knob Assy, Gray	1	630946	630946	630946	630946	630946
-	Esp Funct Select Knob, Gray	1	(630947)	(630947)	(630947)	(630947)	(630947)
-	Ring Compression	1	(650505-06)	(650505-06)	(650505-06)	(650505-06)	(650505-06)
4	Button, Tm Pb Switch	1	(631136)	(631136)	(631136)	(631136)	(631136)
5	Label, Serial	1	(631183)	(631183)	(631183)	(631183)	(631183)
6	Cover, Pwb	1	(631920)	(631920)	(631920)	(631920)	(631920)
7	Switch, Actuator- Paragon	1	(632510)	(632510)	(632510)	(632510)	(632510)
8	Lens, Lcd-Esp-C-Lx	1	632700	632700	632700	632700	632700
9	Fp/Shield Assy-Esp-C	1	(632906)	(632906)	(632906)	(632906)	(632906)
-	Front Panel Esp-Mc	1	(631918)	(631918)	(631918)	(631918)	(631918)
-	Shield, Front Panel-Esp-C	1	(632897)	(632897)	(632897)	(632897)	(632897)
10	Keypad, Silicone	1	(632908)	(632908)	(632908)	(632908)	(632908)
11	Overlay, Fr Panel	1	(633324-02)	(633324-03)	(633324-04)	(633324-05)	(633324-06)
12	Screw, 4-24 x 5/16 Hi-Lo W/Wshr	5	(650563-23)	(650563-23)	(650563-23)	(650563-23)	(650563-23)
13	Lock, Plunger	2	(650927-02)	(650927-02)	(650927-02)	(650927-02)	(650927-02)
14	Lock, Grommet	2	(650928-02)	(650928-02)	(650928-02)	(650928-02)	(650928-02)

Note: Part Numbers enclosed in brackets ( ) are not available individually, but may be sold in assemblies or kits.

ESP12SAT2W/ ESP16SAT2W/ ESP24SAT2W/ ESP32SAT2W/ ESP40SAT2W  
(TWO-WIRE COMMUNICATION, METAL WALL MOUNT, 120 VOLT, 60 Hz)

PWB ASSY TERMINAL



Ref.	Description	Qty.	12	16	24	32	40
<b>PWB ASSY TERMINAL</b>							
			(633085-02)	(633085-03)	(633085-04)	(633085-05)	(633085-06)
LP45,47	Mov 56V, 1000A	2	624624	624624	624624	624624	624624
LP46	Mov 56V, 1000A	1	624624	624624	624624	624624	624624
-	Label bar code 39	1	(631356-01)	(631356-01)	(631356-01)	(631356-01)	(631356-01)
-	Printed Wiring Board	1	(633086)	(633086)	(633086)	(633086)	(633086)
-	Fuse clip	2	(650098)	(650098)	(650098)	(650098)	(650098)
-	Solder	.01	(650160)	(650160)	(650160)	(650160)	(650160)
L41,42 L1-8	Inductor Ferrite Bead	10	650300-05	650300-05	650300-05	650300-05	650300-05
L9-12	Inductor Ferrite Bead	4	650300-05	650300-05	650300-05	650300-05	650300-05
L13-16	Inductor Ferrite Bead	4	-	650300-05	650300-05	650300-05	650300-05
L9-12	Inductor Ferrite Bead	4	650300-05	650300-05	650300-05	650300-05	650300-05

Note: Part Numbers enclosed in brackets ( ) are not available individually, but may be sold in assemblies or kits.

ESP12SAT2W/ ESP16SAT2W/ ESP24SAT2W/ ESP32SAT2W/ ESP40SAT2W  
(TWO-WIRE COMMUNICATION, METAL WALL MOUNT, 120 VOLT, 60 Hz)

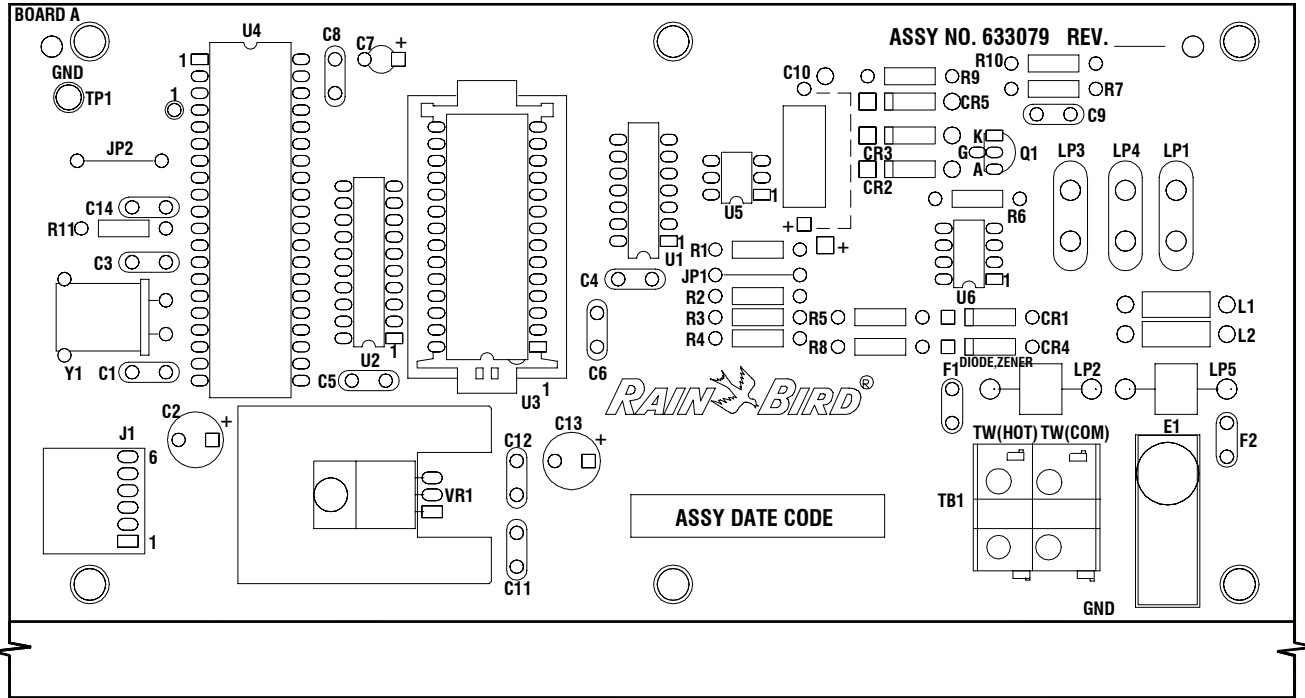
Ref.	Description	Qty.	12	16	24	32	40
<b>PWB ASSY TERMINAL, CONT.</b>							
L13-16	Inductor Ferrite Bead	4	-	650300-05	650300-05	650300-05	650300-05
L17-24	Inductor Ferrite Bead	8	-	-	650300-05	650300-05	650300-05
L25-32	Inductor Ferrite Bead	8	-	-	-	650300-05	650300-05
L33-40	Inductor Ferrite Bead	8	-	-	-	-	650300-05
-	Fuse 2.5Amp	1	(650431-28)	(650431-28)	(650431-28)	(650431-28)	(650431-28)
J3	Connector, DB15S 15 Pins	1	(650610-06)	(650610-06)	(650610-06)	(650610-06)	(650610-06)
J4	Connector, DB15S 15 Pins	1	-	(650610-06)	(650610-06)	(650610-06)	(650610-06)
J5	Connector, DB15S 15 Pins	1	-	-	-	(650610-06)	(650610-06)
J6	Connector, DB15S 15 Pins	1	-	-	-	-	(650610-06)
J3	Jack Socket Kit	1	(650620)	(650620)	(650620)	(650620)	(650620)
J4	Jack Socket Kit	1	-	(650620)	(650620)	(650620)	(650620)
J5	Jack Socket Kit	1	-	-	-	(650620)	(650620)
J6	Jack Socket Kit	1	-	-	-	-	(650620)
R1	Resistor, 2% 2W 0.1Ohms	1	(650766-01)	(650766-01)	(650766-01)	(650766-01)	(650766-01)
LP1-8							
LP41,42	Mov 20MM 47V, 2000A	10	650796	650796	650796	650796	650796
LP9-12	Mov 20MM 47V, 2000A	4	650796	650796	650796	650796	650796
LP13-16	Mov 20MM 47V, 2000A	4	-	650796	650796	650796	650796
LP17-24	Mov 20MM 47V, 2000A	8	-	-	650796	650796	650796
LP25-32	Mov 20MM 47V, 2000A	8	-	-	-	650796	650796
LP33-40	Mov 20MM 47V, 2000A	8	-	-	-	-	650796
J1	Header, Polzd., .100Ctrs. 50Pins	1	(650872-50)	(650872-50)	(650872-50)	(650872-50)	(650872-50)
LP44	Mov 47V. 1000A	1	650875	650875	650875	650875	650875
C1-8 C41,42	Capacitor, Ceramic Axial .01uF,100V	10	(650882-01)	(650882-01)	(650882-01)	(650882-01)	(650882-01)
C9-12	Capacitor, Ceramic Axial .01uF,100V	4	(650882-01)	(650882-01)	(650882-01)	(650882-01)	(650882-01)
C13-16	Capacitor, Ceramic Axial .01uF,100V	4	-	(650882-01)	(650882-01)	(650882-01)	(650882-01)
C17-24	Capacitor, Ceramic Axial .01uF,100V	8	-	-	(650882-01)	(650882-01)	(650882-01)
C25-32	Capacitor, Ceramic Axial .01uF,100V	8	-	-	-	(650882-01)	(650882-01)
C33-40	Capacitor, Ceramic Axial .01uF,100V	8	-	-	-	-	(650882-01)
J2	Header, Polzd., .156Ctrs. 2Pins	1	(650893-02)	(650893-02)	(650893-02)	(650893-02)	(650893-02)
J7	Header, Polzd., .156Ctrs. 5Pins	1	(650893-05)	(650893-05)	(650893-05)	(650893-05)	(650893-05)
TB1,2	Terminal Blk. .300SPC 1Pos	16	(651000-01)	(651000-01)	(651000-01)	(651000-01)	(651000-01)
TB3	Terminal Blk. .300SPC 1Pos	8	(651000-01)	(651000-01)	(651000-01)	(651000-01)	(651000-01)
TB4	Terminal Blk. .300SPC 1Pos	8	-	-	(651000-01)	(651000-01)	(651000-01)
TB5	Terminal Blk. .300SPC 1Pos	8	-	-	-	(651000-01)	(651000-01)
TB6	Terminal Blk. .300SPC 1Pos	8	-	-	-	-	(651000-01)
Q1-8 Q41,42	Triac, 6Amps	10	651138	651138	651138	651138	651138
Q9-12	Triac, 6Amps	4	651138	651138	651138	651138	651138
Q13-16	Triac, 6Amps	4	-	651138	651138	651138	651138
Q17-24	Triac, 6Amps	8	-	-	651138	651138	651138
Q25-32	Triac, 6Amps	8	-	-	-	651138	651138
Q33-40	Triac, 6Amps	8	-	-	-	-	651138
LP43	Mov 50V, 2500A	1	(651272)	(651272)	(651272)	(651272)	(651272)

Note: Part Numbers enclosed in brackets ( ) are not available individually, but may be sold in assemblies or kits.



ESP12SAT2W/ ESP16SAT2W/ ESP24SAT2W/ ESP32SAT2W/ ESP40SAT2W  
(TWO-WIRE COMMUNICATION, METAL WALL MOUNT, 120 VOLT, 60 Hz)

PWB ASSY ESP-MC TWO WIRE



Ref.	Description	Qty.	12	16	24	32	40
<b>PWB ASSY ESP-MC TWO WIRE</b>							
LP2,5	Spark Gap	2	(633079-01)	(633079-01)	(633079-01)	(633079-01)	(633079-01)
-	Label, Bar Code 39	1	(631356-01)	(631356-01)	(631356-01)	(631356-01)	(631356-01)
-	Printed Wiring Board	1	(633080)	(633080)	(633080)	(633080)	(633080)
U3	Prom Carrier Assy	1	633321-04	633321-04	633321-04	633321-04	633321-04
C1,3	Capacitor, Ceramic Disc 30pF,50V	2	(650012-15)	(650012-15)	(650012-15)	(650012-15)	(650012-15)
C4-6, C8,11, C12,14	Capacitor, Ceramic Disc 0.1uF,50V	7	650013-45	650013-45	650013-45	650013-45	650013-45
LP1,3,4	Mov 68V,500A	3	650016	650016	650016	650016	650016
CR1,4	Diode,Zener,500mW,8.2V	2	650038-12	650038-12	650038-12	650038-12	650038-12
C9	Capacitor,Ceramic Disc .001uF,100V	1	(650040-57)	(650040-57)	(650040-57)	(650040-57)	(650040-57)
C10	Capacitor,Electrl Axial 47uF,50V	1	(650046-13)	(650046-13)	(650046-13)	(650046-13)	(650046-13)
U5	IC,Opto—Isolator, Triac MOC3011	1	650070-01	650070-01	650070-01	650070-01	650070-01
CR2,3	Diode,Gen Purpose,1Amp	2	650077-02	650077-02	650077-02	650077-02	650077-02
CR5	Diode,Gen Purpose,1Amp	1	650077-02	650077-02	650077-02	650077-02	650077-02
R1	Resistor,Carbon Film,1/4W 270Ohms	1	(650079-59)	(650079-59)	(650079-59)	(650079-59)	(650079-59)

Note: Part Numbers enclosed in brackets ( ) are not available individually, but may be sold in assemblies or kits.

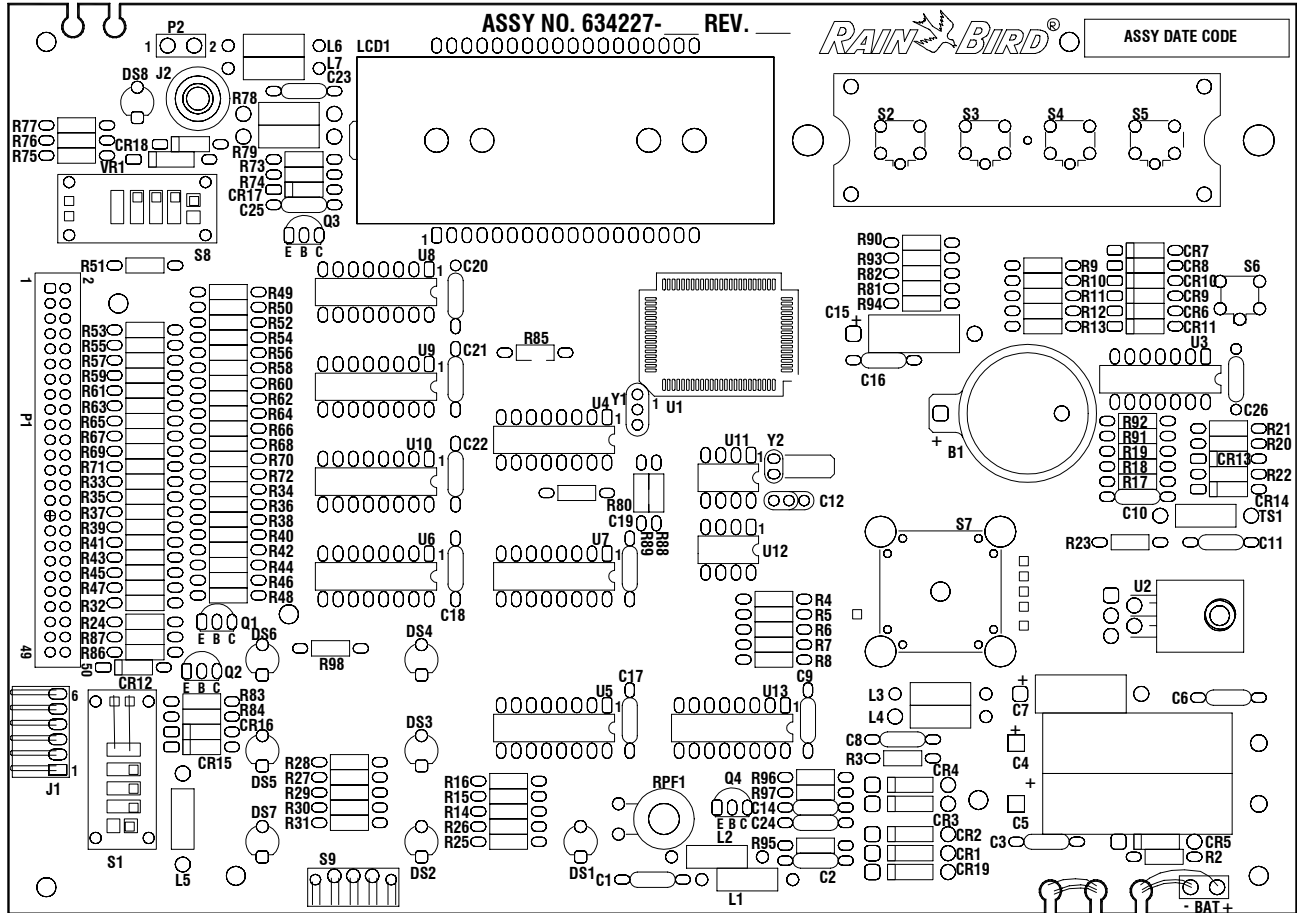
ESP12SAT2W/ ESP16SAT2W/ ESP24SAT2W/ ESP32SAT2W/ ESP40SAT2W  
(TWO-WIRE COMMUNICATION, METAL WALL MOUNT, 120 VOLT, 60 Hz)

Ref.	Description	Qty.	12	16	24	32	40
<b>PWB ASSY ESP-MC TWO WIRE, CONT.</b>							
R7,10	Resistor,Carbon Fil,1/4W 1K	2	(650079-73)	(650079-73)	(650079-73)	(650079-73)	(650079-73)
R6	Resistor,carbon Film 1/4W 1.3K	1	(650079-76)	(650079-76)	(650079-76)	(650079-76)	(650079-76)
R9,11	Resistor,Carbon Film,1/4 4.7K	2	650079-89	650079-89	650079-89	650079-89	650079-89
R2,3							
R5,8	Resistor,Carbon Film,1/4W 47K	4	(650080-14)	(650080-14)	(650080-14)	(650080-14)	(650080-14)
R4	Resistor,Carbon Film, 1/4W 100K	1	(650080-22)	(650080-22)	(650080-22)	(650080-22)	(650080-22)
VR1	Heatsink, Grease	.01	(650101)	(650101)	(650101)	(650101)	(650101)
VR1	Rivet,Blind,Domehead .125Dia	1	(650139-05)	(650139-05)	(650139-05)	(650139-05)	(650139-05)
-	Solder	.01	(650160)	(650160)	(650160)	(650160)	(650160)
L1,2	Inductor,Ferrite Bead	2	650300-05	650300-05	650300-05	650300-05	650300-05
VR1	Regulator, +5V	1	650332	650332	650332	650332	650332
VR1	Regulator,Heatsink, to 220	1	(650335)	(650335)	(650335)	(650335)	(650335)
TP1	Test Point, PC Mount	1	(650336-01)	(650336-01)	(650336-01)	(650336-01)	(650336-01)
Q1	SCR	1	650375	650375	650375	650375	650375
U6	Ic,Opto-Coupler, Dual, High Gain	1	650445	650445	650445	650445	650445
U3	Socket, Prom Carrier	1	650518-02	650518-02	650518-02	650518-02	650518-02
U1	Ic,Hex Schmitt Inverter	1	650540	650540	650540	650540	650540
C7	Capacitor,Tantalum,Radial 2.2uF25V	1	650583-03	650583-03	650583-03	650583-03	650583-03
C2,13	Capacitor,Tantalum,Radial 22uF25V	2	650583-09	650583-09	650583-09	650583-09	650583-09
U2	Ic, Octal D-Type Latch	1	650611	650611	650611	650611	650611
JP2	Wire,22Awg,Auto-Inserted .500Lead	1	(650625-03)	(650625-03)	(650625-03)	(650625-03)	(650625-03)
Y1	Wire,22Awg,Auto-Inserted .500Lead	.55	(650625-03)	(650625-03)	(650625-03)	(650625-03)	(650625-03)
Y1	Crystal,Quartz 11.059MHz	1	650721	650721	650721	650721	650721
TB1	Phnx. Terminal Block .300Ctrs. 1 Pos	2	(651000-01)	(651000-01)	(651000-01)	(651000-01)	(651000-01)
J1	Header,Right,Angle .100Ctrs 6 Pins	1	(651005-06)	(651005-06)	(651005-06)	(651005-06)	(651005-06)
U4	Ic, Microprocessor	1	651031	651031	651031	651031	651031
F1,2	Polyswitch, Rxe Series	2	(651055-08)	(651055-08)	(651055-08)	(651055-08)	(651055-08)

Note: Part Numbers enclosed in brackets ( ) are not available individually, but may be sold in assemblies or kits.

ESP12SAT2W/ ESP16SAT2W/ ESP24SAT2W/ ESP32SAT2W/ ESP40SAT2W  
(TWO-WIRE COMMUNICATION, METAL WALL MOUNT, 120 VOLT, 60 Hz)

PWB ASSY ESP-MC ESC-1 CONTROLLER



Ref.	Description	Qty.	12	16	24	32	40
<b>PWB ASSY ESP-MC ESC-1 CONTROLLER</b>			(634227-02)	(634227-03)	(634227-04)	(634227-05)	(634227-06)
S7	Switch Rotary	1	(630609)	(630609)	(630609)	(630609)	(630609)
S8	Switch, Slide	1	(630651)	(630651)	(630651)	(630651)	(630651)
-	Label, Bar Code 39	1	(631356-01)	(631356-01)	(631356-01)	(631356-01)	(631356-01)
LCD1	Spacer, LCD	1	(632046)	(632046)	(632046)	(632046)	(632046)
P2	Sensor Cable	1	(632048-01)	(632048-01)	(632048-01)	(632048-01)	(632048-01)
J2	Spring, Shield .70 Long	1	(632898-01)	(632898-01)	(632898-01)	(632898-01)	(632898-01)
LCD1	Liquid, Crystal Display	1	(633087)	(633087)	(633087)	(633087)	(633087)
U1	Microcomp., Toshiba, OTP	1	(633088)	(633088)	(633088)	(633088)	(633088)
P1	Ribbon Cable Assy 50Ckts	1	(633090)	(633090)	(633090)	(633090)	(633090)
-	Printed Wiring Board	1	(634228)	(634228)	(634228)	(634228)	(634228)
C12	Capacitor, ceramic radial 6pF, 50V	1	(650012-04)	(650012-04)	(650012-04)	(650012-04)	(650012-04)
U2	Washer, Flat, carbon Steel	1	(650023-03)	(650023-03)	(650023-03)	(650023-03)	(650023-03)

Note: Part Numbers enclosed in brackets ( ) are not available individually, but may be sold in assemblies or kits.

ESP12SAT2W/ ESP16SAT2W/ ESP24SAT2W/ ESP32SAT2W/ ESP40SAT2W  
(TWO-WIRE COMMUNICATION, METAL WALL MOUNT, 120 VOLT, 60 Hz)

Ref.	Description	Qty.	12	16	24	32	40
<b>PWB ASSY ESP-MC ESC-1 CONTROLLER, CONT.</b>							
CR6	Diode, Switching	1	650037-01	650037-01	650037-01	650037-01	650037-01
CR7	Diode, Switching	1	650037-01	-	650037-01	-	650037-01
CR8	Diode, Switching	1	-	650037-01	650037-01	-	-
CR9	Diode, Switching	1	-	-	-	650037-01	650037-01
CR11-18	Diode, Switching	8	650037-01	650037-01	650037-01	650037-01	650037-01
VR1	Diode, Zener, 500mW, 5.6V	1	(650038-71)	(650038-71)	(650038-71)	(650038-71)	(650038-71)
C7, 15	Capacitor, Electrolytic, Axial 47uF, 10V	2	(650044-03)	(650044-03)	(650044-03)	(650044-03)	(650044-03)
BAT	Battery Snap 9V	1	650075	650075	650075	650075	650075
CR1-5 C19	Diode, Gen Purpose, 1Amp	6	650077-02	650077-02	650077-02	650077-02	650077-02
R23, 85 R98	Resistor, Carbon Film, 1/4W, 10Ohms	2	(650079-25)	(650079-25)	(650079-25)	(650079-25)	(650079-25)
R49-56 R24, 32,	Resistor, Carbon Film 1/4W, 150Ohms	11	(650079-53)	(650079-53)	(650079-53)	(650079-53)	(650079-53)
R57-60	Resistor, Carbon Film 1/4W, 150Ohms	4	(650079-53)	(650079-53)	(650079-53)	(650079-53)	(650079-53)
R61-64	Resistor, Carbon Film 1/4W, 150Ohms	4	-	(650079-53)	(650079-53)	(650079-53)	(650079-53)
R65-72	Resistor, Carbon Film 1/4W, 150Ohms	8	-	-	(650079-53)	(650079-53)	(650079-53)
R33-40	Resistor, Carbon Film 1/4W, 150Ohms	8	-	-	-	(650079-53)	(650079-53)
R41-48	Resistor, Carbon Film 1/4W, 150Ohms	8	-	-	-	-	(650079-53)
R25-31	Resistor, Carbon Film 1/4W 470Ohms	7	(650079-65)	(650079-65)	(650079-65)	(650079-65)	(650079-65)
R17, 95	Resistor, Carbon Film, 1/4W, 1KOhm	2	(650079-73)	(650079-73)	(650079-73)	(650079-73)	(650079-73)
R76	Resistor, Carbon Film, 1/4W, 2KOhms	1	(650079-80)	(650079-80)	(650079-80)	(650079-80)	(650079-80)
R2	Resistor, Carbon Film, 1/4W 3.3KOhms	1	(650079-85)	(650079-85)	(650079-85)	(650079-85)	(650079-85)
R88-90 R84, 87 R20-22	Resistor, Carbon Film, 1/4W, 4.7KOhms	8	650079-89	650079-89	650079-89	650079-89	650079-89
R92	Resistor, Carbon Film, 1/4W, 8.2KOhms	1	(650079-95)	(650079-95)	(650079-95)	(650079-95)	(650079-95)
R19, 91	Resistor, Carbon Film, 1/4W, 10Kohms	2	(650079-97)	(650079-97)	(650079-97)	(650079-97)	(650079-97)
R83, 86 R18, 80	Resistor, Carbon Film, 1/4W, 47KOhms	4	(650080-14)	(650080-14)	(650080-14)	(650080-14)	(650080-14)
R94 R82, 93, R43, 81 R4-16	Resistor, Carbon Film, 1/4W 100Kohms	18	(650080-22)	(650080-22)	(650080-22)	(650080-22)	(650080-22)
R96, 97 R74, 75 R3	Resistor, Carbon Film, 1/4W, 220KOhms	5	(650080-30)	(650080-30)	(650080-30)	(650080-30)	(650080-30)
C20, 24 C16, 17 C10, 14 C3, 8, 9	Capacitor, Ceramic Axial .1uF, 50V	9	(650085-55)	(650085-55)	(650085-55)	(650085-55)	(650085-55)

Note: Part Numbers enclosed in brackets ( ) are not available individually, but may be sold in assemblies or kits.

ESP12SAT2W/ ESP16SAT2W/ ESP24SAT2W/ ESP32SAT2W/ ESP40SAT2W  
(TWO-WIRE COMMUNICATION, METAL WALL MOUNT, 120 VOLT, 60 Hz)

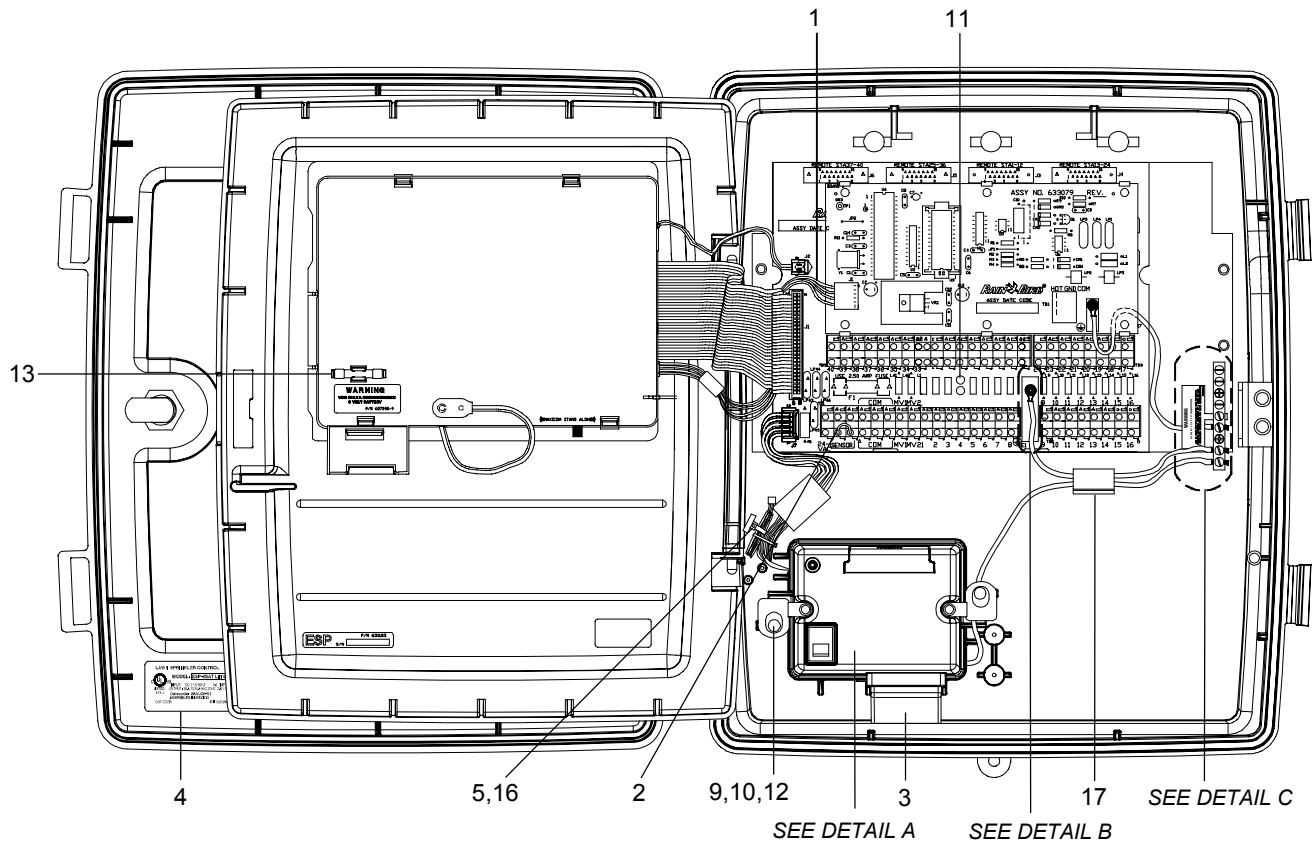
Ref.	Description	Qty.	12	16	24	32	40
<b>PWB ASSY ESP-MC ESC-1 CONTROLLER, CONT.</b>							
C21	Capacitor, Ceramic Axial .1uF, 50V	1	(650085-55)	(650085-55)	(650085-55)	(650085-55)	(650085-55)
C22	Capacitor, Ceramic Axial .1uF, 50V	1	-	-	(650085-55)	(650085-55)	(650085-55)
C18	Capacitor, Ceramic Axial .1uF, 50V	1	-	-	-	(650085-55)	(650085-55)
C19	Capacitor, Ceramic Axial .1uF, 50V	1	-	-	-	-	(650085-55)
U2	Rivet, Blind Dome HD. .125Dia	1	(650139-05)	(650139-05)	(650139-05)	(650139-05)	(650139-05)
R78,79	Resistor, Carbon Film, 1/2W, 1KOhms	2	(650202-73)	(650202-73)	(650202-73)	(650202-73)	(650202-73)
L1-7	Inductor, Ferrite Bead	7	650300-05	650300-05	650300-05	650300-05	650300-05
U3	IC Quad OP Amp	1	650358	650358	650358	650358	650358
Q3,4	Transistor, NPN, 624mW	2	650367	650367	650367	650367	650367
Q1,2	Transistor, PNP	2	650369	650369	650369	650369	650369
Y2	Crystal, Quartz 32.768KHz	1	(650484)	(650484)	(650484)	(650484)	(650484)
TS1	Transient Suppressor 6.8V	1	(650595-01)	(650595-01)	(650595-01)	(650595-01)	(650595-01)
C5	Capacitor, Electrol, Axial 330uF, 25V	1	(650624)	(650624)	(650624)	(650624)	(650624)
U4	3-8 Line Decoder	1	650699	650699	650699	650699	650699
S2,3,4 S5,6	Switch, Pushbutton	5	(650748)	(650748)	(650748)	(650748)	(650748)
C23,25 C1,2,11	Capacitor, ceramic Axial .01uF, 100V	5	(650882-01)	(650882-01)	(650882-01)	(650882-01)	(650882-01)
C6	Capacitor, NPO, Axial 10pF, 100V	1	(650883-13)	(650883-13)	(650883-13)	(650883-13)	(650883-13)
C26	Capacitor, NPO, Axial 220pF, 100V	1	(650883-17)	(650883-17)	(650883-17)	(650883-17)	(650883-17)
U5,8	8Bit Addressable Latch	2	650889	650889	650889	650889	650889
U9	8Bit Addressable Latch	1	650889	650889	650889	650889	650889
U10	8Bit Addressable Latch	1	-	-	650889	650889	650889
U6	8Bit Addressable Latch	1	-	-	-	650889	650889
U7	8Bit Addressable Latch	1	-	-	-	-	650889
DS1-8	Led, red, .200Ctrs.	8	650910	650910	650910	650910	650910
U2	Regulator, Low Dropout	1	(650962)	(650962)	(650962)	(650962)	(650962)
J2	Eyelet, Spring	1	(650985)	(650985)	(650985)	(650985)	(650985)
J1	Header, Polzd. Radial, .100Ctrs 6Pins	1	(651005-06)	(651005-06)	(651005-06)	(651005-06)	(651005-06)
B1	Battery, Lithium	1	(651009)	(651009)	(651009)	(651009)	(651009)
B1	Holder, Battery Coin	1	(651010)	(651010)	(651010)	(651010)	(651010)
U11	IC, Real Time Clock	1	(651011)	(651011)	(651011)	(651011)	(651011)
U12	IC, EEPROM-4K Byte, Serial	1	(651012)	(651012)	(651012)	(651012)	(651012)
Y1	Resonator, ceramic 8.00MHz	1	(651013)	(651013)	(651013)	(651013)	(651013)
U13	IC, 8Bit Input Mux	1	(651014)	(651014)	(651014)	(651014)	(651014)
C4	Capacitor, Electrol, Axial 1000uF, 25V	1	(651054-12)	(651054-12)	(651054-12)	(651054-12)	(651054-12)
RPF1	Polyswitch, RXE, 60V, .65A	1	(651055-08)	(651055-08)	(651055-08)	(651055-08)	(651055-08)
S9	Switch Slide	1	(651292)	(651292)	(651292)	(651292)	(651292)

Note: Part Numbers enclosed in brackets ( ) are not available individually, but may be sold in assemblies or kits.



ESP12SAT2P/ ESP16SAT2P/ ESP24SAT2P/ ESP32SAT2P/ ESP40SAT2P  
 (PLASTIC WALL MOUNT, 120 VOLT, 60 Hz)

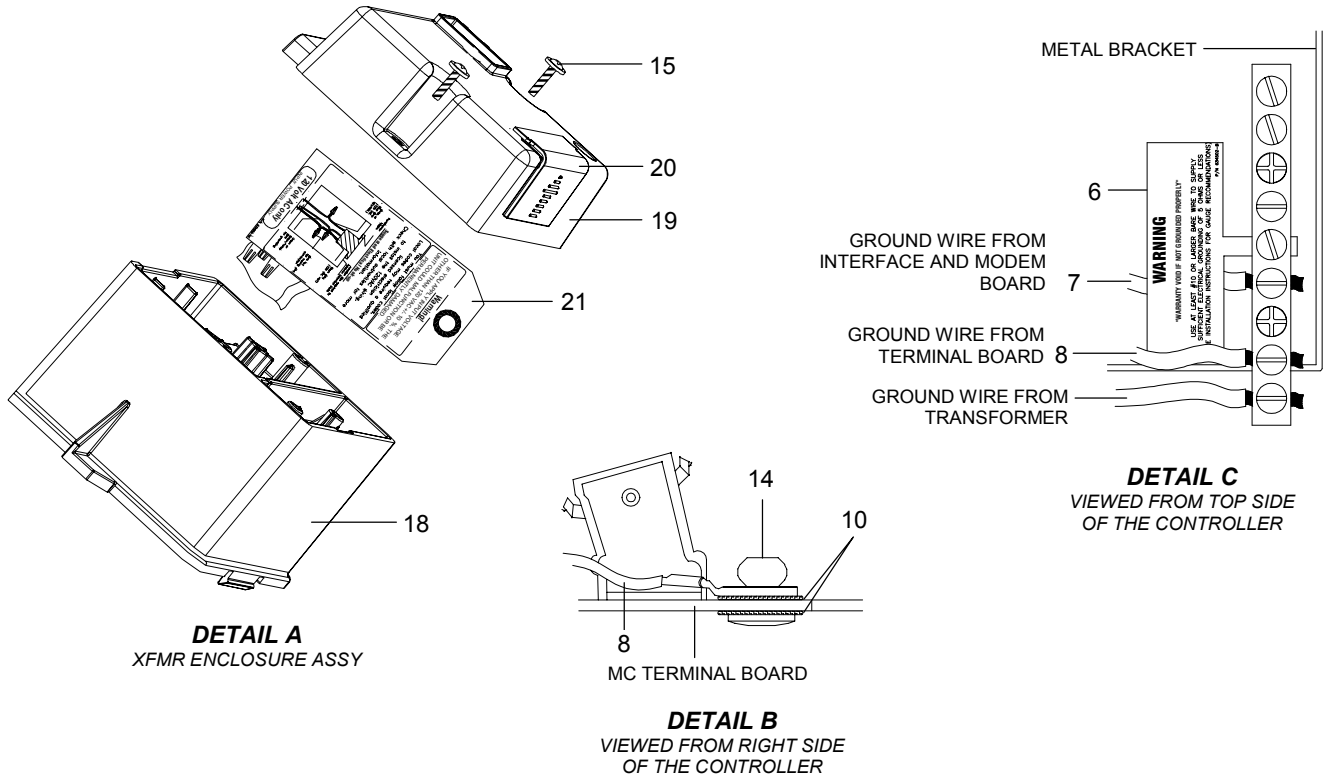
CONTROLLER ASSEMBLY



Ref.	Description	Qty.	12	16	24	32	40
<b>CONTROLLER ASSEMBLY</b>			(635064-02)	(635064-03)	(635064-04)	(635064-05)	(635064-06)
-	Card, Customer Registration-Tm	1	(632354)	(632354)	(632354)	(632354)	(632354)
1	Cable Assy, 2Wire/Link Intfc-Mc	1	(633132)	(633132)	(633132)	(633132)	(633132)
2	Sensor Jumper Wire-Esplx+1	1	(633442)	(633442)	(633442)	(633442)	(633442)
3	Cover, Ac Mains	1	(633821)	(633821)	(633821)	(633821)	(633821)
-	Hinge, Piano Wire	1	(633826)	(633826)	(633826)	(633826)	(633826)
4	Label, Rating	1	(634385-21)	(634385-21)	(634385-21)	(634385-21)	(634385-21)
5	Power Mib Link Label Mcp	1	(634391)	(634391)	(634391)	(634391)	(634391)
6	Label Warning Grounding	1	(634502)	(634502)	(634502)	(634502)	(634502)
-	Label, Warning Corrosion Inhib	1	(634558)	(634558)	(634558)	(634558)	(634558)
7	Ground Wire Assy 12 Awg (8)	1	(634943-08)	(634943-08)	(634943-08)	(634943-08)	(634943-08)
8	Ground Wire Assy 12 Awg (11)	1	(634943-11)	(634943-11)	(634943-11)	(634943-11)	(634943-11)
9	Bracket, Xfmr Enclosure	2	(635112)	(635112)	(635112)	(635112)	(635112)
-	Cable Tie Nylon 7/8 Bundle	1	650131	650131	650131	650131	650131
10	Washer Lock, #10, Ext-Tooth,Z-Pltd	6	(650162-04)	(650162-04)	(650162-04)	(650162-04)	(650162-04)
11	Screw Phl Pnh Hi-lo 7-19x1/2	3	(650183-63)	(650183-63)	(650183-63)	(650183-63)	(650183-63)
12	Screw, Pnh, Hi-lo, Cs	2	(650249-16)	(650249-16)	(650249-16)	(650249-16)	(650249-16)
13	Fuse, Slowblow,250V, 2 1/2 Amp	1	(650431-28)	(650431-28)	(650431-28)	(650431-28)	(650431-28)
14	Rivet, Blind 0.19	2	(650434-13)	(650434-13)	(650434-13)	(650434-13)	(650434-13)

Note: Part Numbers enclosed in brackets ( ) are not available individually, but may be sold in assemblies or kits.

ESP12SAT2P/ ESP16SAT2P/ ESP24SAT2P/ ESP32SAT2P/ ESP40SAT2P  
(PLASTIC WALL MOUNT, 120 VOLT, 60 Hz)



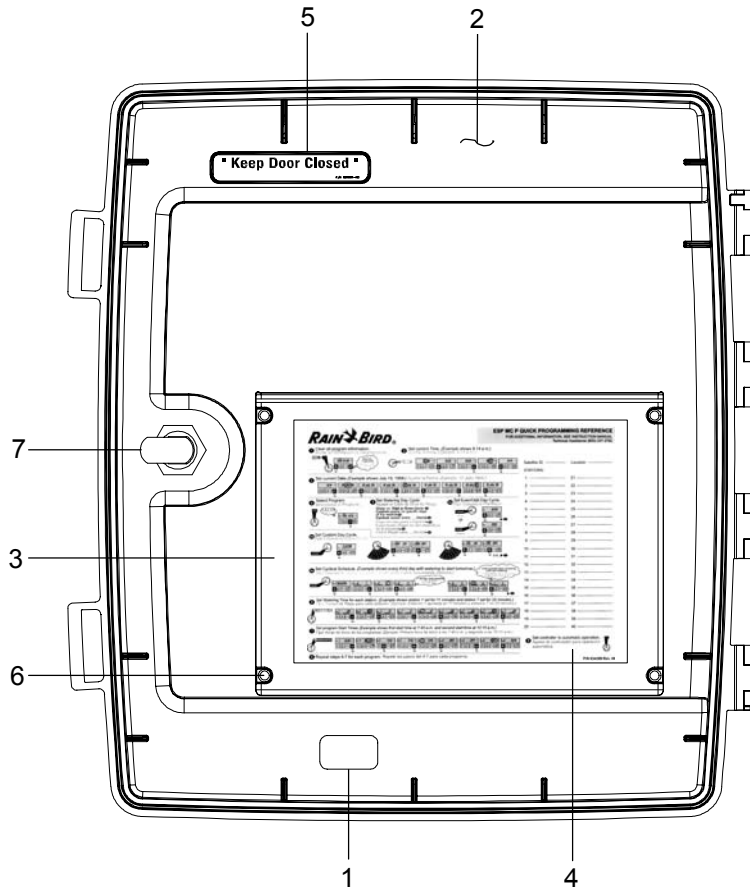
Ref.	Description	Qty.	12	16	24	32	40
<b>CONTROLLER ASSEMBLY, CONT.</b>							
15	Screw, 6-19 x 7/16 Hi-Lo W/Wshr	1	(650563-47)	(650563-47)	(650563-47)	(650563-47)	(650563-47)
-	Spacer Circuit Board, edge hold	6	(650912-10)	(650912-10)	(650912-10)	(650912-10)	(650912-10)
16	Tie, Marker	1	(651132)	(651132)	(651132)	(651132)	(651132)
-	Impregnated Foam Corrosion Inh	1	(651331)	(651331)	(651331)	(651331)	(651331)
17	Wire Clip with Adhesive	1	(651446-02)	(651446-02)	(651446-02)	(651446-02)	(651446-02)
<b>XFMR ENCLOSURE ASSY</b>			634383-01	634383-01	634383-01	634383-01	634383-01
18	Enclosure, Transformer Top Im	1	(633777)	(633777)	(633777)	(633777)	(633777)
19	Cover, Hingh Voltage Board	1	(633778)	(633778)	(633778)	(633778)	(633778)
20	Cover, Fuse Pcb	1	(633779)	(633779)	(633779)	(633779)	(633779)
-	Enclosure, Transformer Bottom	1	(633822)	(633822)	(633822)	(633822)	(633822)
-	Xfmr Power 120,230 Vac	1	(634238)	(634238)	(634238)	(634238)	(634238)
-	Cable Tie, Nylon 7/8 Bundle	1	650131	650131	650131	650131	650131
-	Closed End, Splice	1	(650828)	(650828)	(650828)	(650828)	(650828)
<b>ACCESSORIES</b>							
-	Instructions, Instl&oper-Espsat	1	633686	633686	633686	633686	633686
-	Instr,Instal & Oper, Span-Espsa	1	(633696)	(633696)	(633696)	(633696)	(633696)
-	Guide, Operations Adden	1	(633942)	(633942)	(633942)	(633942)	(633942)
21	Wire Nuts, Kit	1	(634613)	(634613)	(634613)	(634613)	(634613)
-	Label Warning Hang Tag-Local	1	(634503)	(634503)	(634503)	(634503)	(634503)
-	Bag, Zip Lock, Plastic, 2.5x3	1	(650924-01)	(650924-01)	(650924-01)	(650924-01)	(650924-01)
-	Wire Nut 22-14	3	(651351)	(651351)	(651351)	(651351)	(651351)
-	Poster, Intallation Inst.Mc-P	1	(634728)	(634728)	(634728)	(634728)	(634728)

Note: Part Numbers enclosed in brackets ( ) are not available individually, but may be sold in assemblies or kits.



ESP12SAT2P/ ESP16SAT2P/ ESP24SAT2P/ ESP32SAT2P/ ESP40SAT2P  
 (PLASTIC WALL MOUNT, 120 VOLT, 60 Hz)

DOOR ASSEMBLY

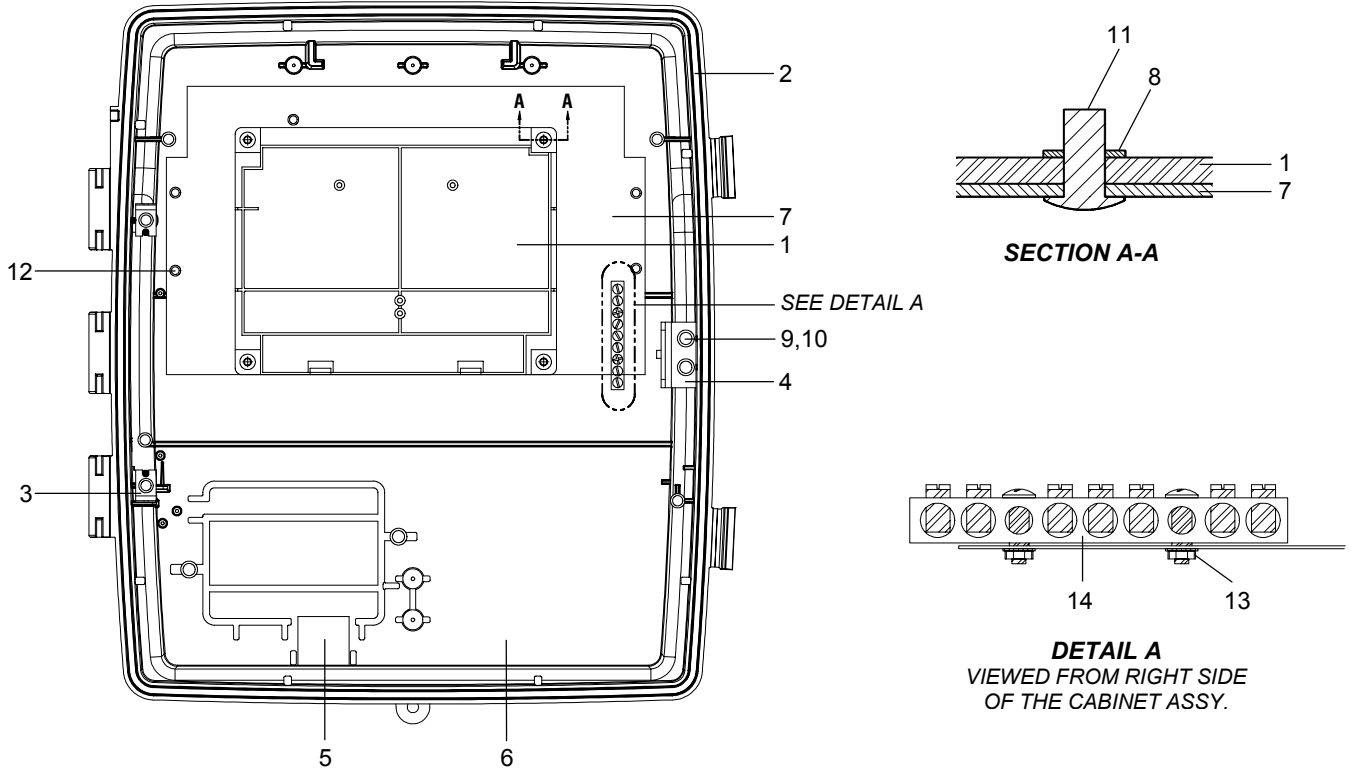


Ref.	Description	Qty.	12	16	24	32	40
<b>DOOR ASSEMBLY</b>			(634384)	(634384)	(634384)	(634384)	(634384)
1	Label Fcc Compliance	1	(629941)	(629941)	(629941)	(629941)	(629941)
2	Enclosure Cabinet Top	1	(633781-01)	(633781-01)	(633781-01)	(633781-01)	(633781-01)
3	Pocket, Cabinet Top	1	(633783-01)	(633783-01)	(633783-01)	(633783-01)	(633783-01)
4	Quick Prog. Guide	1	634389	634389	634389	634389	634389
5	Label, Keep Door Closed	1	(634501)	(634501)	(634501)	(634501)	(634501)
6	Screw, 6-19 x 7/16 Hi-lo W/Wshr	4	(650563-47)	(650563-47)	(650563-47)	(650563-47)	(650563-47)
7	Lock, Cam	1	650755	650755	650755	650755	650755

Note: Part Numbers enclosed in brackets ( ) are not available individually, but may be sold in assemblies or kits.

ESP12SAT2P/ ESP16SAT2P/ ESP24SAT2P/ ESP32SAT2P/ ESP40SAT2P  
 (PLASTIC WALL MOUNT, 120 VOLT, 60 Hz)

CABINET ASSEMBLY

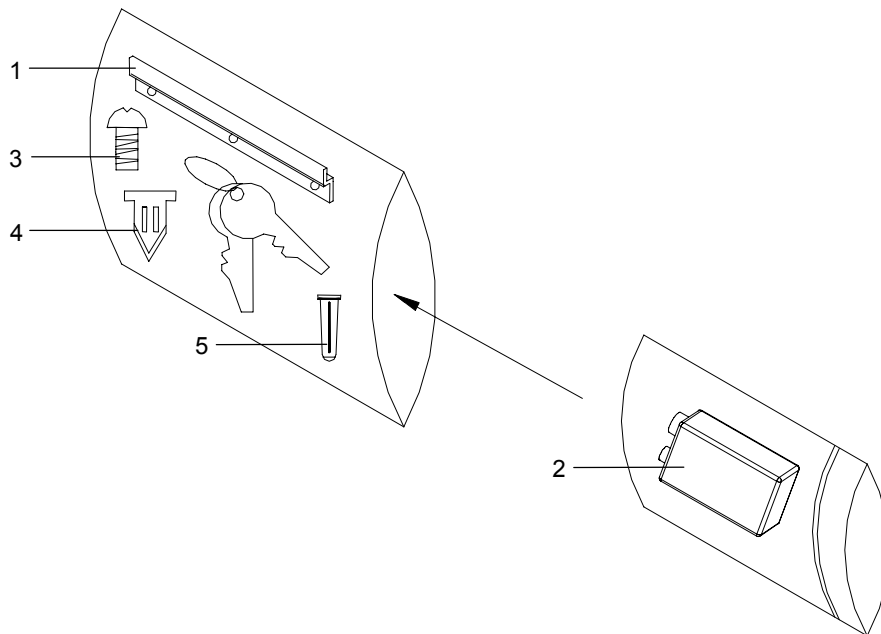


Ref.	Description	Qty.	12	16	24	32	40
<b>CABINET ASSEMBLY</b>			(634381)	(634381)	(634381)	(634381)	(634381)
1	Spacer, Terminal Board	1	(631919)	(631919)	(631919)	(631919)	(631919)
2	Gasket, Foam	1	(633402)	(633402)	(633402)	(633402)	(633402)
3	Hinge, Stamping	2	(633403)	(633403)	(633403)	(633403)	(633403)
4	Hasp Door Lock	1	(633405)	(633405)	(633405)	(633405)	(633405)
-	Bracket, Wall Mount	1	(633406)	(633406)	(633406)	(633406)	(633406)
5	Wiring Insulator Compartment	1	(633407)	(633407)	(633407)	(633407)	(633407)
6	Enclosure, Cabinet Bottom	1	(633780-01)	(633780-01)	(633780-01)	(633780-01)	(633780-01)
7	Bracket	1	(634291)	(634291)	(634291)	(634291)	(634291)
8	Washer, Flat #10 .032	4	(650023-13)	(650023-13)	(650023-13)	(650023-13)	(650023-13)
9	Washer Lk, #8, Ext-tooth, Z-Pltd	4	(650162-03)	(650162-03)	(650162-03)	(650162-03)	(650162-03)
10	Screw Phl Pnh Hi-Lo 4-24x1/4	4	(650183-78)	(650183-78)	(650183-78)	(650183-78)	(650183-78)
-	Screw, Pnh, Hi-Lo. Cs	3	(650249-71)	(650249-71)	(650249-71)	(650249-71)	(650249-71)
11	Rivet, Blind 0.19	4	(650434-13)	(650434-13)	(650434-13)	(650434-13)	(650434-13)
12	Screw, 5-20 x 3/8 Hi-Lo W/Wshr	5	(650563-36)	(650563-36)	(650563-36)	(650563-36)	(650563-36)
13	Nut, #8-32 Hex W/Star Washer	2	(650634-04)	(650634-04)	(650634-04)	(650634-04)	(650634-04)
14	Bar Bus Grounding	2	(651440)	(651440)	(651440)	(651440)	(651440)

Note: Part Numbers enclosed in brackets ( ) are not available individually, but may be sold in assemblies or kits.

ESP12SAT2P/ ESP16SAT2P/ ESP24SAT2P/ ESP32SAT2P/ ESP40SAT2P  
 (PLASTIC WALL MOUNT, 120 VOLT, 60 Hz)

**COLLATERAL PACKAGE**

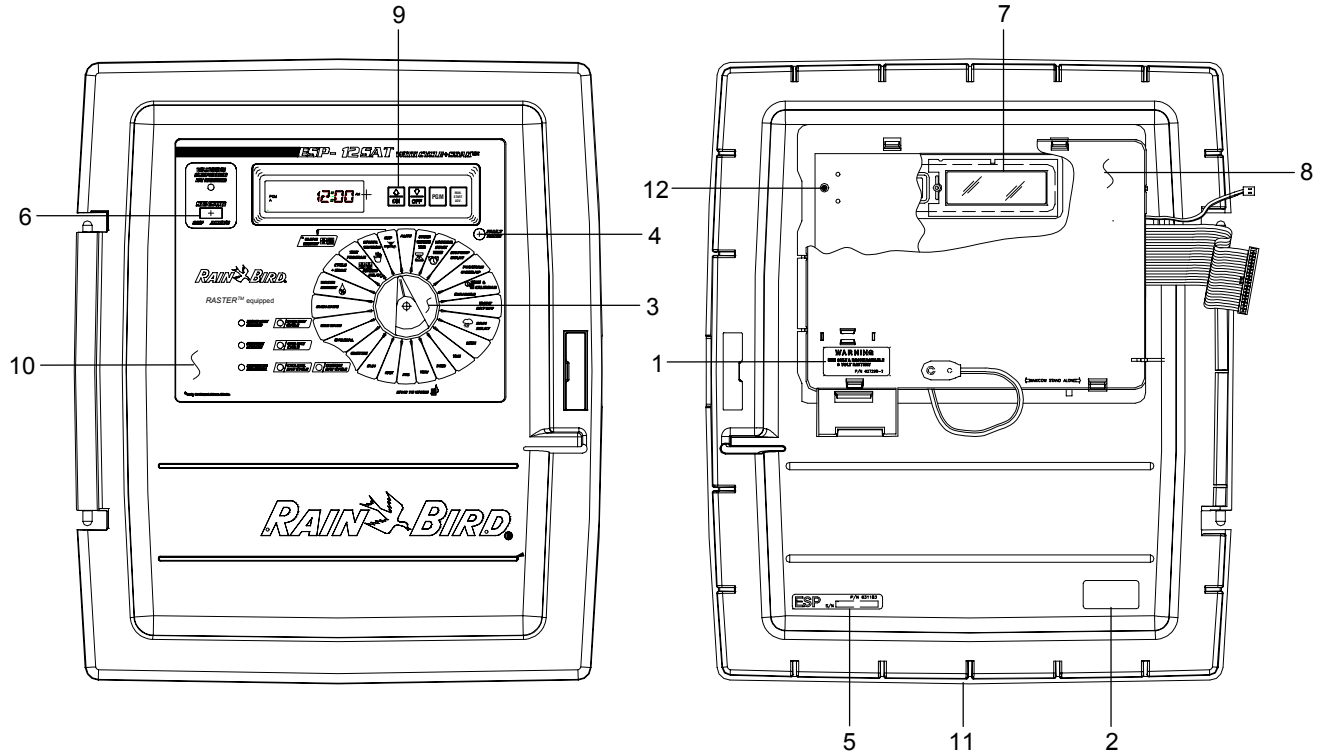


Ref.	Description	Qty.	12	16	24	32	40
<b>COLLATERAL PACKAGE</b>			(634379-01)	(634379-01)	(634379-01)	(634379-01)	(634379-01)
-	Bag, Poly 8 x 10	1	(628282-17)	(628282-17)	(628282-17)	(628282-17)	(628282-17)
1	Bracket, Wall Mount	1	(633406)	(633406)	(633406)	(633406)	(633406)
-	Bag, Zip Lock, Plasts, 2.5x3	1	(650924-01)	(650924-01)	(650924-01)	(650924-01)	(650924-01)
2	Battery, Nicad 7.2V	1	650929	650929	650929	650929	650929
3	Screw, Trhd Phil, Type A1 1/4	4	(651021-16)	(651021-16)	(651021-16)	(651021-16)	(651021-16)
4	Anchor, Wall, Hammer Drive	4	(651022)	(651022)	(651022)	(651022)	(651022)
5	Plastic Anchor 10-12 x 1"	4	(651393-03)	(651393-03)	(651393-03)	(651393-03)	(651393-03)

Note: Part Numbers enclosed in brackets ( ) are not available individually, but may be sold in assemblies or kits.

ESP12SAT2P/ ESP16SAT2P/ ESP24SAT2P/ ESP32SAT2P/ ESP40SAT2P  
(PLASTIC WALL MOUNT, 120 VOLT, 60 Hz)

FRONT PANEL ASSEMBLY

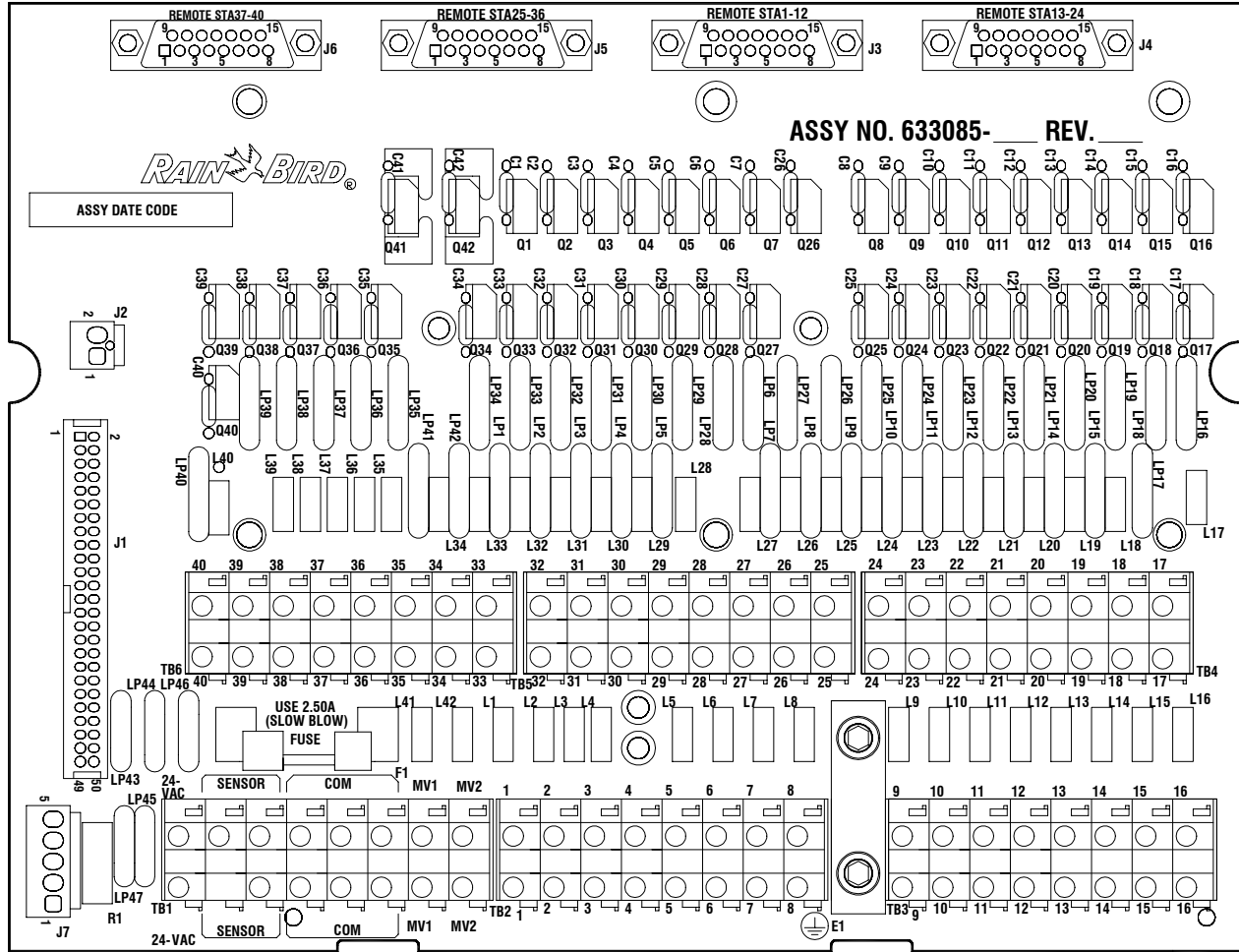


Ref.	Description	Qty.	12	16	24	32	40
<b>FRONT PANEL ASSEMBLY</b>			(635060-02)	(635060-03)	(635060-04)	(635060-05)	(635060-06)
1	Label Warning Cic 8/12	1	(627298)	(627298)	(627298)	(627298)	(627298)
2	Label Date Code	1	(627867)	(627867)	(627867)	(627867)	(627867)
3	Func Select Knob Assy, Gray	1	630946	630946	630946	630946	630946
-	Esp Func Select Knob, Gray	1	(630947)	(630947)	(630947)	(630947)	(630947)
-	Ring Compression	1	(650505-06)	(650505-06)	(650505-06)	(650505-06)	(650505-06)
4	Button, Tm Pb Switch	1	(631136)	(631136)	(631136)	(631136)	(631136)
5	Label, Serial, Esp	1	(631183)	(631183)	(631183)	(631183)	(631183)
6	Switch, Actuator-Paragon	1	(632510)	(632510)	(632510)	(632510)	(632510)
7	Lens, Lcd-Esp-C/Lx	1	632700	632700	632700	632700	632700
8	Assy, Cover, Foil	1	(632905)	(632905)	(632905)	(632905)	(632905)
-	Cover, Pwb	1	(631920)	(631920)	(631920)	(631920)	(631920)
-	Shield, Foil Esp-Mc-P	1	(632904)	(632904)	(632904)	(632904)	(632904)
9	Keypad, Silicone	1	(632908)	(632908)	(632908)	(632908)	(632908)
10	Overlay, Front Panel	1	(633324-02)	(633324-03)	(633324-04)	(633324-05)	(633324-06)
11	Assy, Fp/Shield Esp-Mc-P	1	(634392)	(634392)	(634392)	(634392)	(634392)
-	Shield, Front Panel	1	(632897)	(632897)	(632897)	(632897)	(632897)
-	Esp-Mc-P Front Panel	1	(634209)	(634209)	(634209)	(634209)	(634209)
12	Screw, 4-24 x 5/16 Hi-Lo W/Wshr	5	(650563-23)	(650563-23)	(650563-23)	(650563-23)	(650563-23)

Note: Part Numbers enclosed in brackets ( ) are not available individually, but may be sold in assemblies or kits.

ESP12SAT2P/ ESP16SAT2P/ ESP24SAT2P/ ESP32SAT2P/ ESP40SAT2P  
 (PLASTIC WALL MOUNT, 120 VOLT, 60 Hz)

PWB ASSY TERMINAL



Ref.	Description	Qty.	12	16	24	32	40
<b>PWB ASSY TERMINAL</b>			(633085-02)	(633085-03)	(633085-04)	(633085-05)	(633085-06)
LP45,47	Mov 56V, 1000A	2	624624	624624	624624	624624	624624
LP46	Mov 56V, 1000A	1	624624	624624	624624	624624	624624
-	Label bar code 39	1	(631356-01)	(631356-01)	(631356-01)	(631356-01)	(631356-01)
-	Printed Wiring Board	1	(633086)	(633086)	(633086)	(633086)	(633086)
-	Fuse clip	2	(650098)	(650098)	(650098)	(650098)	(650098)
-	Solder	.01	(650160)	(650160)	(650160)	(650160)	(650160)
L41,42 L1-8	Inductor Ferrite Bead	10	650300-05	650300-05	650300-05	650300-05	650300-05
L9-12	Inductor Ferrite Bead	4	650300-05	650300-05	650300-05	650300-05	650300-05
L13-16	Inductor Ferrite Bead	4	-	650300-05	650300-05	650300-05	650300-05
L9-12	Inductor Ferrite Bead	4	650300-05	650300-05	650300-05	650300-05	650300-05

Note: Part Numbers enclosed in brackets ( ) are not available individually, but may be sold in assemblies or kits.

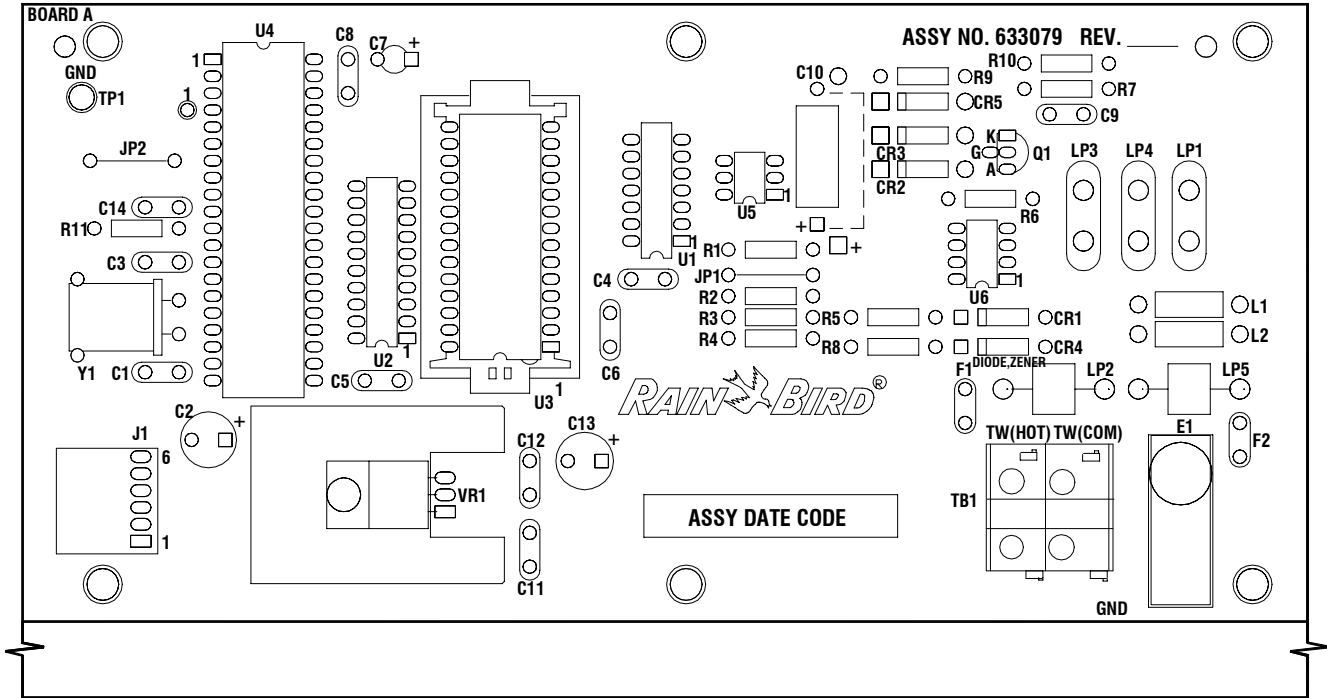
ESP12SAT2P/ ESP16SAT2P/ ESP24SAT2P/ ESP32SAT2P/ ESP40SAT2P  
(PLASTIC WALL MOUNT, 120 VOLT, 60 Hz)

Ref.	Description	Qty.	12	16	24	32	40
<b>PWB ASSY TERMINAL, CONT.</b>							
L13-16	Inductor Ferrite Bead	4	-	650300-05	650300-05	650300-05	650300-05
L17-24	Inductor Ferrite Bead	8	-	-	650300-05	650300-05	650300-05
L25-32	Inductor Ferrite Bead	8	-	-	-	650300-05	650300-05
L33-40	Inductor Ferrite Bead	8	-	-	-	-	650300-05
-	Fuse 2.5Amp	1	(650431-28)	(650431-28)	(650431-28)	(650431-28)	(650431-28)
J3	Connector, DB15S 15 Pins	1	(650610-06)	(650610-06)	(650610-06)	(650610-06)	(650610-06)
J4	Connector, DB15S 15 Pins	1	-	(650610-06)	(650610-06)	(650610-06)	(650610-06)
J5	Connector, DB15S 15 Pins	1	-	-	-	(650610-06)	(650610-06)
J6	Connector, DB15S 15 Pins	1	-	-	-	-	(650610-06)
J3	Jack Socket Kit	1	(650620)	(650620)	(650620)	(650620)	(650620)
J4	Jack Socket Kit	1	-	(650620)	(650620)	(650620)	(650620)
J5	Jack Socket Kit	1	-	-	-	(650620)	(650620)
J6	Jack Socket Kit	1	-	-	-	-	(650620)
R1	Resistor, 2% 2W 0.1Ohms	1	(650766-01)	(650766-01)	(650766-01)	(650766-01)	(650766-01)
LP1-8							
LP41,42	Mov 20MM 47V, 2000A	10	650796	650796	650796	650796	650796
LP9-12	Mov 20MM 47V, 2000A	4	650796	650796	650796	650796	650796
LP13-16	Mov 20MM 47V, 2000A	4	-	650796	650796	650796	650796
LP17-24	Mov 20MM 47V, 2000A	8	-	-	650796	650796	650796
LP25-32	Mov 20MM 47V, 2000A	8	-	-	-	650796	650796
LP33-40	Mov 20MM 47V, 2000A	8	-	-	-	-	650796
J1	Header, Polzd., .100Ctrs. 50Pins	1	(650872-50)	(650872-50)	(650872-50)	(650872-50)	(650872-50)
LP44	Mov 47V. 1000A	1	650875	650875	650875	650875	650875
C1-8 C41,42	Capacitor, Ceramic Axial .01uF,100V	10	(650882-01)	(650882-01)	(650882-01)	(650882-01)	(650882-01)
C9-12	Capacitor, Ceramic Axial .01uF,100V	4	(650882-01)	(650882-01)	(650882-01)	(650882-01)	(650882-01)
C13-16	Capacitor, Ceramic Axial .01uF,100V	4	-	(650882-01)	(650882-01)	(650882-01)	(650882-01)
C17-24	Capacitor, Ceramic Axial .01uF,100V	8	-	-	(650882-01)	(650882-01)	(650882-01)
C25-32	Capacitor, Ceramic Axial .01uF,100V	8	-	-	-	(650882-01)	(650882-01)
C33-40	Capacitor, Ceramic Axial .01uF,100V	8	-	-	-	-	(650882-01)
J2	Header, Polzd., .156Ctrs. 2Pins	1	(650893-02)	(650893-02)	(650893-02)	(650893-02)	(650893-02)
J7	Header, Polzd., .156Ctrs. 5Pins	1	(650893-05)	(650893-05)	(650893-05)	(650893-05)	(650893-05)
TB1,2	Terminal Blk. .300SPC 1Pos	16	(651000-01)	(651000-01)	(651000-01)	(651000-01)	(651000-01)
TB3	Terminal Blk. .300SPC 1Pos	8	(651000-01)	(651000-01)	(651000-01)	(651000-01)	(651000-01)
TB4	Terminal Blk. .300SPC 1Pos	8	-	-	(651000-01)	(651000-01)	(651000-01)
TB5	Terminal Blk. .300SPC 1Pos	8	-	-	-	(651000-01)	(651000-01)
TB6	Terminal Blk. .300SPC 1Pos	8	-	-	-	-	(651000-01)
Q1-8 Q41,42	Triac, 6Amps	10	651138	651138	651138	651138	651138
Q9-12	Triac, 6Amps	4	651138	651138	651138	651138	651138
Q13-16	Triac, 6Amps	4	-	651138	651138	651138	651138
Q17-24	Triac, 6Amps	8	-	-	651138	651138	651138
Q25-32	Triac, 6Amps	8	-	-	-	651138	651138
Q33-40	Triac, 6Amps	8	-	-	-	-	651138
LP43	Mov 50V, 2500A	1	(651272)	(651272)	(651272)	(651272)	(651272)

Note: Part Numbers enclosed in brackets ( ) are not available individually, but may be sold in assemblies or kits.

ESP12SAT2P/ ESP16SAT2P/ ESP24SAT2P/ ESP32SAT2P/ ESP40SAT2P  
 (PLASTIC WALL MOUNT, 120 VOLT, 60 Hz)

PWB ASSY ESP-MC TWO WIRE



Ref.	Description	Qty.	12	16	24	32	40
<b>PWB ASSY ESP-MC TWO WIRE</b>							
LP2,5	Spark Gap	2	(633079-01)	(633079-01)	(633079-01)	(633079-01)	(633079-01)
-	Label, Bar Code 39	1	(631356-01)	(631356-01)	(631356-01)	(631356-01)	(631356-01)
-	Printed Wiring Board	1	(633080)	(633080)	(633080)	(633080)	(633080)
U3	Prom Carrier Assy	1	633321-04	633321-04	633321-04	633321-04	633321-04
C1,3	Capacitor, Ceramic Disc 30pF,50V	2	(650012-15)	(650012-15)	(650012-15)	(650012-15)	(650012-15)
C4-6, C8,11, C12,14	Capacitor, Ceramic Disc 0.1uF,50V	7	650013-45	650013-45	650013-45	650013-45	650013-45
LP1,3,4	Mov 68V,500A	3	650016	650016	650016	650016	650016
CR1,4	Diode,Zener,500mW,8.2V	2	650038-12	650038-12	650038-12	650038-12	650038-12
C9	Capacitor,Ceramic Disc .001uF,100V	1	(650040-57)	(650040-57)	(650040-57)	(650040-57)	(650040-57)
C10	Capacitor,Electrl Axial 47uF,50V	1	(650046-13)	(650046-13)	(650046-13)	(650046-13)	(650046-13)
U5	IC,Opto—Isolator,Triac MOC3011	1	650070-01	650070-01	650070-01	650070-01	650070-01
CR2,3	Diode,Gen Purpose,1Amp	2	650077-02	650077-02	650077-02	650077-02	650077-02
CR5	Diode,Gen Purpose,1Amp	1	650077-02	650077-02	650077-02	650077-02	650077-02
R1	Resistor,Carbon Film,1/4W 270Ohms	1	(650079-59)	(650079-59)	(650079-59)	(650079-59)	(650079-59)

Note: Part Numbers enclosed in brackets ( ) are not available individually, but may be sold in assemblies or kits.

ESP12SAT2P/ ESP16SAT2P/ ESP24SAT2P/ ESP32SAT2P/ ESP40SAT2P  
(PLASTIC WALL MOUNT, 120 VOLT, 60 Hz)

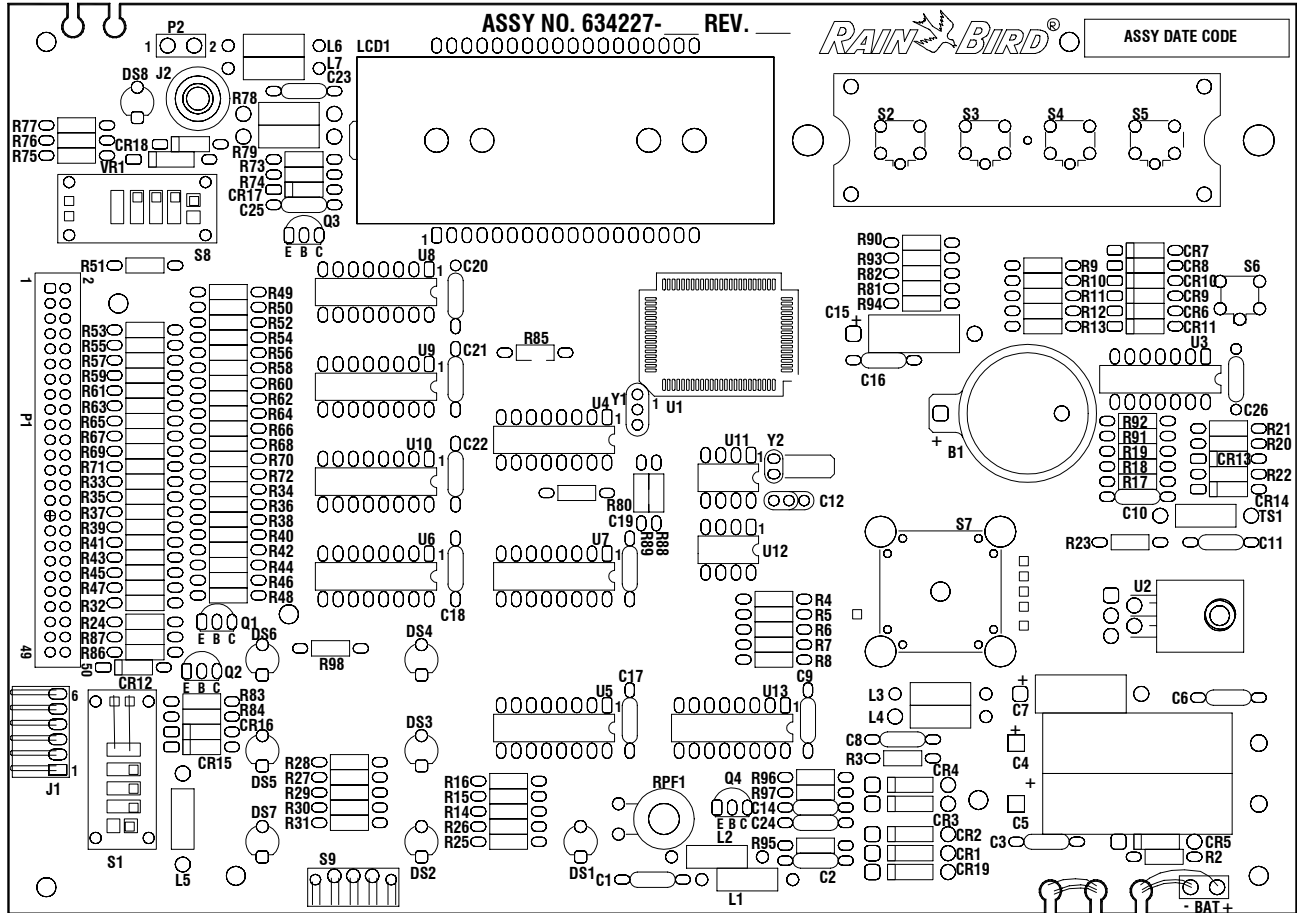
Ref.	Description	Qty.	12	16	24	32	40
<b>PWB ASSY ESP-MC TWO WIRE, CONT.</b>							
R7,10	Resistor,Carbon Fil,1/4W 1K	2	(650079-73)	(650079-73)	(650079-73)	(650079-73)	(650079-73)
R6	Resistor,carbon Film 1/4W 1.3K	1	(650079-76)	(650079-76)	(650079-76)	(650079-76)	(650079-76)
R9,11	Resistor,Carbon Film,1/4 4.7K	2	650079-89	650079-89	650079-89	650079-89	650079-89
R2,3							
R5,8	Resistor,Carbon Film,1/4W 47K	4	(650080-14)	(650080-14)	(650080-14)	(650080-14)	(650080-14)
R4	Resistor,Carbon Film, 1/4W 100K	1	(650080-22)	(650080-22)	(650080-22)	(650080-22)	(650080-22)
VR1	Heatsink, Grease	.01	(650101)	(650101)	(650101)	(650101)	(650101)
VR1	Rivet,Blind,Domehead .125Dia	1	(650139-05)	(650139-05)	(650139-05)	(650139-05)	(650139-05)
-	Solder	.01	(650160)	(650160)	(650160)	(650160)	(650160)
L1,2	Inductor,Ferrite Bead	2	650300-05	650300-05	650300-05	650300-05	650300-05
VR1	Regulator, +5V	1	650332	650332	650332	650332	650332
VR1	Regulator,Heatsink, to 220	1	(650335)	(650335)	(650335)	(650335)	(650335)
TP1	Test Point, PC Mount	1	(650336-01)	(650336-01)	(650336-01)	(650336-01)	(650336-01)
Q1	SCR	1	650375	650375	650375	650375	650375
U6	Ic,Opto-Coupler, Dual, High Gain	1	650445	650445	650445	650445	650445
U3	Socket, Prom Carrier	1	650518-02	650518-02	650518-02	650518-02	650518-02
U1	Ic,Hex Schmitt Inverter	1	650540	650540	650540	650540	650540
C7	Capacitor,Tantalum,Radial 2.2uF25V	1	650583-03	650583-03	650583-03	650583-03	650583-03
C2,13	Capacitor,Tantalum,Radial 22uF25V	2	650583-09	650583-09	650583-09	650583-09	650583-09
U2	Ic, Octal D-Type Latch	1	650611	650611	650611	650611	650611
JP2	Wire,22Awg,Auto-Inserted .500Lead	1	(650625-03)	(650625-03)	(650625-03)	(650625-03)	(650625-03)
Y1	Wire,22Awg,Auto-Inserted .500Lead	.55	(650625-03)	(650625-03)	(650625-03)	(650625-03)	(650625-03)
Y1	Crystal,Quartz 11.059MHz	1	650721	650721	650721	650721	650721
TB1	Phnx. Terminal Block .300Ctrs. 1 Pos	2	(651000-01)	(651000-01)	(651000-01)	(651000-01)	(651000-01)
J1	Header,Right,Angle .100Ctrs 6 Pins	1	(651005-06)	(651005-06)	(651005-06)	(651005-06)	(651005-06)
U4	Ic, Microprocessor	1	651031	651031	651031	651031	651031
F1,2	Polyswitch, Rxe Series	2	(651055-08)	(651055-08)	(651055-08)	(651055-08)	(651055-08)

Note: Part Numbers enclosed in brackets ( ) are not available individually, but may be sold in assemblies or kits.



ESP12SAT2P/ ESP16SAT2P/ ESP24SAT2P/ ESP32SAT2P/ ESP40SAT2P  
 (PLASTIC WALL MOUNT, 120 VOLT, 60 Hz)

PWB ASSY ESP-MC ESC-1 CONTROLLER



Ref.	Description	Qty.	12	16	24	32	40
<b>PWB ASSY ESP-MC ESC-1 CONTROLLER</b>			(634227-08)	(634227-09)	(634227-10)	(634227-11)	(634227-12)
S7	Switch, Rotary	1	(630609)	(630609)	(630609)	(630609)	(630609)
S8	Switch, Slide	1	(630651)	(630651)	(630651)	(630651)	(630651)
-	Label, Bar Code 39	1	(631356-01)	(631356-01)	(631356-01)	(631356-01)	(631356-01)
LCD1	Spacer, LCD	1	(632046)	(632046)	(632046)	(632046)	(632046)
P2	Sensor Cable	1	(632048-01)	(632048-01)	(632048-01)	(632048-01)	(632048-01)
J2	Spring, Shield .70Long	1	(632898-01)	(632898-01)	(632898-01)	(632898-01)	(632898-01)
-	Spring Shield .44Long	1	(632898-02)	(632898-02)	(632898-02)	(632898-02)	(632898-02)
LCD1	Liquid Crystal Display	1	(633087)	(633087)	(633087)	(633087)	(633087)
U1	Microcomp., Toshiba,OTP	1	(633088)	(633088)	(633088)	(633088)	(633088)
P1	Ribbon Cable Assy.	1	(633090)	(633090)	(633090)	(633090)	(633090)
-	Printed Wiring Board	1	(634228)	(634228)	(634228)	(634228)	(634228)
C12	Capacitor, Ceramic radial 6pF,50V	1	(650012-04)	(650012-04)	(650012-04)	(650012-04)	(650012-04)

Note: Part Numbers enclosed in brackets ( ) are not available individually, but may be sold in assemblies or kits.

ESP12SAT2P/ ESP16SAT2P/ ESP24SAT2P/ ESP32SAT2P/ ESP40SAT2P  
(PLASTIC WALL MOUNT, 120 VOLT, 60 Hz)

Ref.	Description	Qty.	12	16	24	32	40
<b>PWB ASSY ESP-MC ESC-1 CONTROLLER, CONT.</b>							
U2	Washer, Flat, Carbon Steel No.5	1	(650023-03)	(650023-03)	(650023-03)	(650023-03)	(650023-03)
CR6	Diode, Switching	1	650037-01	650037-01	650037-01	650037-01	650037-01
CR7	Diode, Switching	1	650037-01	-	650037-01	-	650037-01
CR8	Diode, Switching	1	-	650037-01	650037-01	-	-
CR9	Diode, Switching	1	-	-	-	650037-01	650037-01
CR11-18	Diode, Switching	8	650037-01	650037-01	650037-01	650037-01	650037-01
VR1	Diode, Zener, 500mW, 5.6V	1	(650038-71)	(650038-71)	(650038-71)	(650038-71)	(650038-71)
C7, C15	Capacitor, Electrol, Axial 47uF, 10V	2	(650044-03)	(650044-03)	(650044-03)	(650044-03)	(650044-03)
BAT	Battery Snap 9V	1	650075	650075	650075	650075	650075
CR1-5 CR19	Diode, Gen Purpose, 1Amp	6	650077-02	650077-02	650077-02	650077-02	650077-02
R23, 85	Resistor, Carbon Film, 1/4W, 10Ohm	2	(650079-25)	(650079-25)	(650079-25)	(650079-25)	(650079-25)
R24, 32, R98, R49-56	Resistor, Carbon Film, 1/4W, 150Ohms	11	(650079-53)	(650079-53)	(650079-53)	(650079-53)	(650079-53)
R57-60	Resistor, Carbon Film, 1/4W, 150Ohms	4	(650079-53)	(650079-53)	(650079-53)	(650079-53)	(650079-53)
R61-64	Resistor, Carbon Film, 1/4W, 150Ohms	4	-	(650079-53)	(650079-53)	(650079-53)	(650079-53)
R65-72	Resistor, Carbon Film, 1/4W, 150Ohms	8	-	-	(650079-53)	(650079-53)	(650079-53)
R33-40	Resistor, Carbon Film, 1/4W, 150Ohms	8	-	-	-	(650079-53)	(650079-53)
R41-48	Resistor, Carbon Film, 1/4W, 150Ohms	8	-	-	-	-	(650079-53)
R25-31	Resistor, Carbon Film, 1/4W, 470Ohms	7	(650079-65)	(650079-65)	(650079-65)	(650079-65)	(650079-65)
R17, 95	Resistor, Carbon Film, 1/4W, 1KOhm	2	(650079-73)	(650079-73)	(650079-73)	(650079-73)	(650079-73)
R76	Resistor, Carbon Film, 1/4W, 2KOhms	1	(650079-80)	(650079-80)	(650079-80)	(650079-80)	(650079-80)
R2	Resistor, Carbon Film, 1/4W, 3.3KOhm	1	(650079-85)	(650079-85)	(650079-85)	(650079-85)	(650079-85)
R20-22, R84, R87-90	Resistor, Carbon Film, 1/4W, 4.7KOhm	8	650079-89	650079-89	650079-89	650079-89	650079-89
R92	Resistor, Carbon Film, 1/4W, 8.2KOhm	1	(650079-95)	(650079-95)	(650079-95)	(650079-95)	(650079-95)
R19, 91	Resistor, Carbon Film, 1/4W, 10KOhm	2	(650079-97)	(650079-97)	(650079-97)	(650079-97)	(650079-97)
R18, 80 R83, 86 R4-16, R73, 81, R82, 93, R94	Resistor, Carbon Film, 1/4W, 47KOhm	4	(650080-14)	(650080-14)	(650080-14)	(650080-14)	(650080-14)
R3, 74, R75, 96, R97	Resistor, Carbon Film, 1/4W, 100KOh	18	(650080-22)	(650080-22)	(650080-22)	(650080-22)	(650080-22)
C3, 8-10, C14, 16, C17, 20, C24	Capacitor, Ceramic Axial .1uF, 50V	9	(650085-55)	(650085-55)	(650085-55)	(650085-55)	(650085-55)

Note: Part Numbers enclosed in brackets ( ) are not available individually, but may be sold in assemblies or kits.

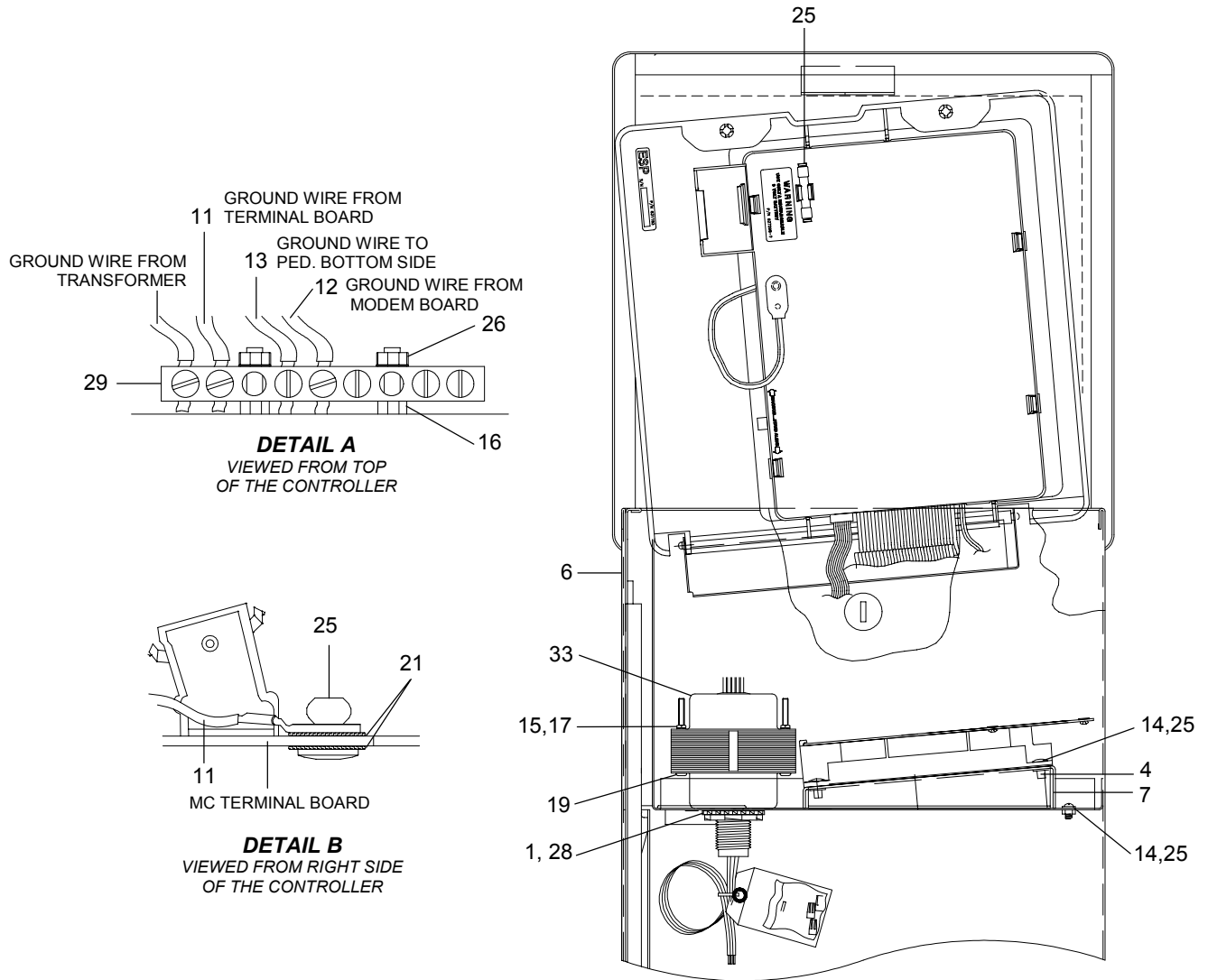
ESP12SAT2P/ ESP16SAT2P/ ESP24SAT2P/ ESP32SAT2P/ ESP40SAT2P  
(PLASTIC WALL MOUNT, 120 VOLT, 60 Hz)

Ref.	Description	Qty.	12	16	24	32	40
<b>PWB ASSY ESP-MC ESC-1 CONTROLLER, CONT.</b>							
C21	Capacitor, Ceramic Axial .1uF, 50V	1	(650085-55)	(650085-55)	(650085-55)	(650085-55)	(650085-55)
C22	Capacitor, Ceramic Axial .1uF, 50V	1	-	-	(650085-55)	(650085-55)	(650085-55)
C18	Capacitor, Ceramic Axial .1uF, 50V	1	-	-	-	(650085-55)	(650085-55)
C19	Capacitor, Ceramic Axial .1uF, 50V	1	-	-	-	-	(650085-55)
U2	Rivet, Blind Dome HD .125 Dia	1	(650139-05)	(650139-05)	(650139-05)	(650139-05)	(650139-05)
R78,79	Resistor, Carbon Film, 1/2W, 1KOhm	2	(650202-73)	(650202-73)	(650202-73)	(650202-73)	(650202-73)
L1-7	Inductor, Ferrite Bead	7	650300-05	650300-05	650300-05	650300-05	650300-05
U3	I.C. Quad OP Amp	1	650358	650358	650358	650358	650358
Q3,4	Transistor, NPN, 625mW	2	650367	650367	650367	650367	650367
Q1,2	Transistor, PNP	2	650369	650369	650369	650369	650369
Y2	Crystal, Quartz 32.768KHz	1	(650484)	(650484)	(650484)	(650484)	(650484)
-	Lubricant, Switch	.001	(650588)	(650588)	(650588)	(650588)	(650588)
TS1	Transient Suppresor Bidirection 6.8V	1	(650595-01)	(650595-01)	(650595-01)	(650595-01)	(650595-01)
C5	Capacitor, Electrol, Axial 330uF, 25V	1	(650624)	(650624)	(650624)	(650624)	(650624)
U4	3-8Line Decoder	1	650699	650699	650699	650699	650699
S2-6	Switch, Pushbutton	5	(650748)	(650748)	(650748)	(650748)	(650748)
C1,2,11, C23,25	Capacitor, Ceramic Axial .01uF, 100V	5	(650882-01)	(650882-01)	(650882-01)	(650882-01)	(650882-01)
C6	Capacitor, NPO, Axial 100pF, 100V	1	(650883-13)	(650883-13)	(650883-13)	(650883-13)	(650883-13)
C26	Capacitor, NPO, Axial 220pF, 100V	1	(650883-17)	(650883-17)	(650883-17)	(650883-17)	(650883-17)
U5,8	8Bit Adressable Latch	2	650889	650889	650889	650889	650889
U9	8Bit Adressable Latch	1	650889	650889	650889	650889	650889
U10	8Bit Adressable Latch	1	-	-	650889	650889	650889
U6	8Bit Adressable Latch	1	-	-	-	650889	650889
U7	8Bit Adressable Latch	1	-	-	-	-	650889
DS1-8	Led, Red, .200Ctrs.	8	650910	650910	650910	650910	650910
U2	Regulator, Low Dropout	1	(650962)	(650962)	(650962)	(650962)	(650962)
J2	Eyelet, Spring	1	(650985)	(650985)	(650985)	(650985)	(650985)
J1	Header, Right Angle 100Ctrs 6Pins	1	(651005-06)	(651005-06)	(651005-06)	(651005-06)	(651005-06)
B1	Battery, Lithium	1	(651009)	(651009)	(651009)	(651009)	(651009)
B1	Holder, Battery Coin	1	(651010)	(651010)	(651010)	(651010)	(651010)
U11	I.C., Real Time Clock	1	(651011)	(651011)	(651011)	(651011)	(651011)
U12	I.C., EEPROM-4K Byte, Serial	1	(651012)	(651012)	(651012)	(651012)	(651012)
Y1	Resonator, Ceramic, 8.0MHz	1	(651013)	(651013)	(651013)	(651013)	(651013)
U13	I.C., 8 Bit Input Mux	1	(651014)	(651014)	(651014)	(651014)	(651014)
C4	Capacitor, Electrol, Axial 1000uF, 25V	1	(651054-12)	(651054-12)	(651054-12)	(651054-12)	(651054-12)
RPF1	Polyswitch, RXE 60V, .65A	1	(651055-08)	(651055-08)	(651055-08)	(651055-08)	(651055-08)
S9	Switch, Slide	1	(651292)	(651292)	(651292)	(651292)	(651292)

Note: Part Numbers enclosed in brackets ( ) are not available individually, but may be sold in assemblies or kits.

ESP12SAT2S/ ESP16SAT2S/ ESP24SAT2S/ ESP32SAT2S/ ESP40SAT2S  
 (STAINLESS STEEL PEDESTAL, 120 VOLT, 60 Hz)

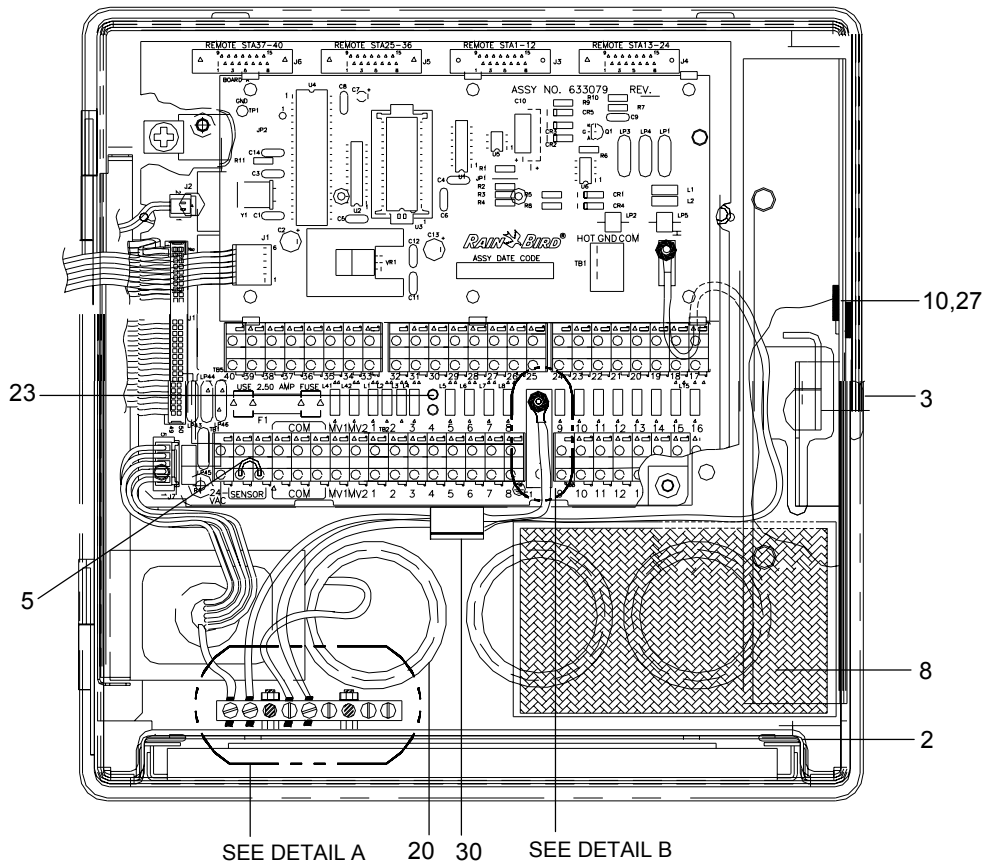
**CONTROLLER ASSEMBLY**



Ref.	Description	Qty.	12	16	24	32	40
<b>CONTROLLER ASSEMBLY</b>			(633483-01)	(633483-02)	(633483-03)	(633483-04)	(633483-05)
1	Locknut Conduit	1	(628013)	(628013)	(628013)	(628013)	(628013)
2	Panel Access Ped Top Opening	1	629466	629466	629466	629466	629466
3	Lock, Bent Cam	1	630336-02	630336-02	630336-02	630336-02	630336-02
4	Spacer, Terminal Board	1	(631919)	(631919)	(631919)	(631919)	(631919)
-	Cable Assy, 2Wire/Link Intfc-Mc	1	(633132)	(633132)	(633132)	(633132)	(633132)
5	Sensor Jumper Wire-Esplx+	1	(633442)	(633442)	(633442)	(633442)	(633442)
6	Ped, Ss, Top Opening-Esp-Sat	1	(633477)	(633477)	(633477)	(633477)	(633477)
7	Bracket, Term Mnting-Esp-Sat-Ss	1	(633485)	(633485)	(633485)	(633485)	(633485)

Note: Part Numbers enclosed in brackets ( ) are not available individually, but may be sold in assemblies or kits.

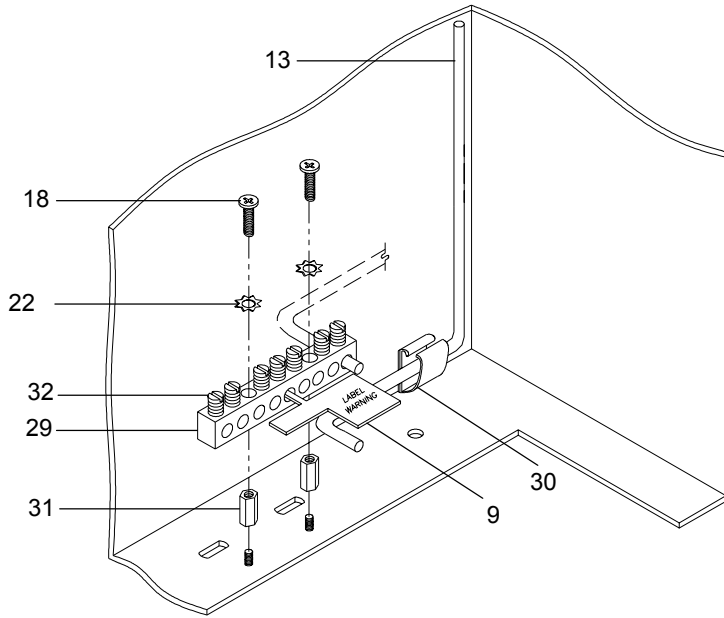
ESP12SAT2S/ ESP16SAT2S/ ESP24SAT2S/ ESP32SAT2S/ ESP40SAT2S  
(STAINLESS STEEL PEDESTAL, 120 VOLT, 60 Hz)



Ref.	Description	Qty.	12	16	24	32	40
<b>CONTROLLER ASSEMBLY, CONT.</b>							
8	Box, Parts, Ss Ped-Esp-Sat	1	(633740)	(633740)	(633740)	(633740)	(633740)
-	Foam, Door Wedge, Ss Ped	1	(633743)	(633743)	(633743)	(633743)	(633743)
9	Label Warning Grounding	1	(634502)	(634502)	(634502)	(634502)	(634502)
10	Label, Warning Corrosion Inhib	1	(634558)	(634558)	(634558)	(634558)	(634558)
11	Ground Wire Assy 12 Awg (11)	1	(634943-11)	(634943-11)	(634943-11)	(634943-11)	(634943-11)
12	Ground Wire Assy 12 Awg (19)	1	(634943-19)	(634943-19)	(634943-19)	(634943-19)	(634943-19)
13	Ground Wire Assy 12 Awg (48)	1	(634943-48)	(634943-48)	(634943-48)	(634943-48)	(634943-48)
-	Washer, Flat 38 .032	4	(650023-10)	(650023-10)	(650023-10)	(650023-10)	(650023-10)
14	Washer, Flat #10 .032	8	(650023-13)	(650023-13)	(650023-13)	(650023-13)	(650023-13)
15	Washer, Ksdr, #8 .040, Cres	2	(650029-04)	(650029-04)	(650029-04)	(650029-04)	(650029-04)
16	Nut, Pl, Hex, #8-32, Cres, Psvtd	2	(650033-04)	(650033-04)	(650033-04)	(650033-04)	(650033-04)
17	Nut, Hex #8	2	(650034-04)	(650034-04)	(650034-04)	(650034-04)	(650034-04)
18	Screw 8-32 .750 Pn Hd	2	(650106-47)	(650106-47)	(650106-47)	(650106-47)	(650106-47)
19	Screw 8-32 x 3 Pn Hd	2	(650106-57)	(650106-57)	(650106-57)	(650106-57)	(650106-57)
-	Clabe Tie, Nylon 7/8 Bundle	1	650131	650131	650131	650131	650131

Note: Part Numbers enclosed in brackets ( ) are not available individually, but may be sold in assemblies or kits.

ESP12SAT2S/ ESP16SAT2S/ ESP24SAT2S/ ESP32SAT2S/ ESP40SAT2S  
 (STAINLESS STEEL PEDESTAL, 120 VOLT, 60 Hz)

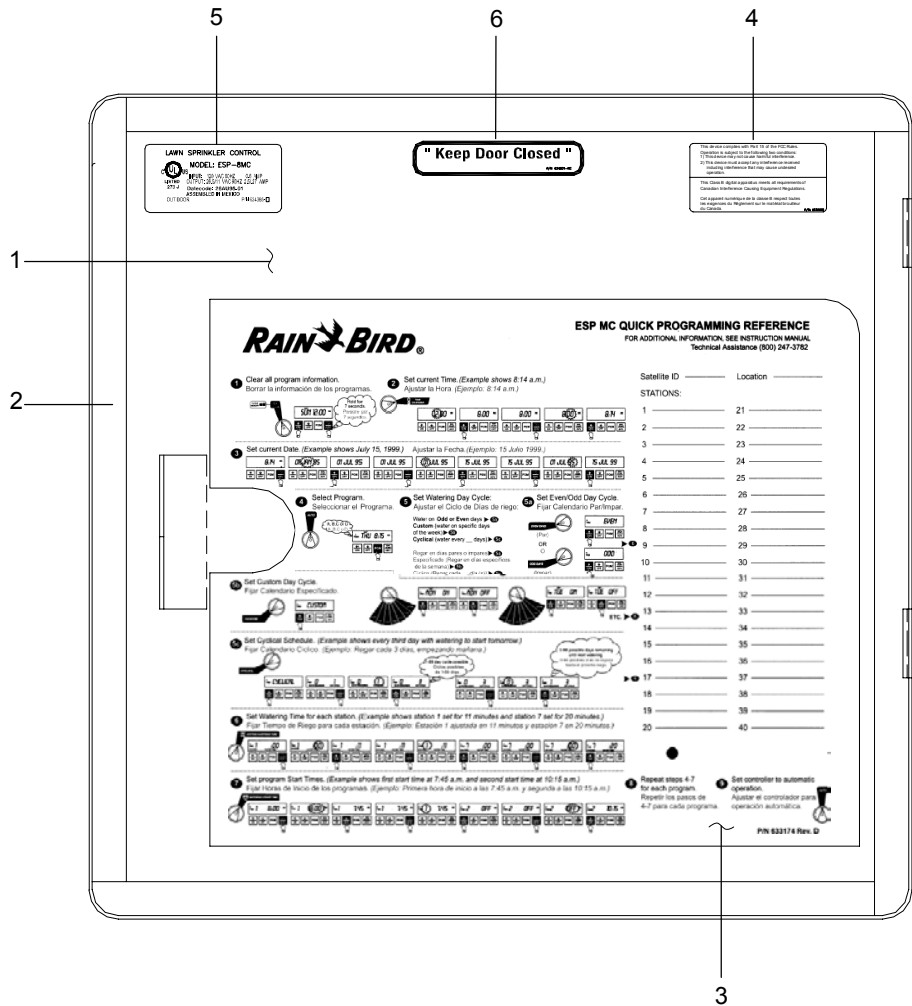


Ref.	Description	Qty.	12	16	24	32	40
<b>CONTROLLER ASSEMBLY, CONT.</b>							
20	Bushing Snap Nylon	3	(650152-53)	(650152-53)	(650152-53)	(650152-53)	(650152-53)
21	Wshr Lk, #10,Ext-tooth,Z-Pltd	4	(650162-04)	(650162-04)	(650162-04)	(650162-04)	(650162-04)
22	Washer #8 32 x 5/16	2	(650163-03)	(650163-03)	(650163-03)	(650163-03)	(650163-03)
23	Screw Phl Pnh Hi-Lo 7-19x1/2	3	(650183-63)	(650183-63)	(650183-63)	(650183-63)	(650183-63)
24	Fuse, Slowblow,250V, 2-1/2 Amp	1	(650431-28)	(650431-28)	(650431-28)	(650431-28)	(650431-28)
25	Rivet, Blind 0.19	10	(650434-13)	(650434-13)	(650434-13)	(650434-13)	(650434-13)
-	Plug, hole .250, Nyl,Black	1	(650485-03)	(650485-03)	(650485-03)	(650485-03)	(650485-03)
-	Plug, Hole .375,Nyl,Black	1	(650485-07)	(650485-07)	(650485-07)	(650485-07)	(650485-07)
-	Locknut Conduit	2	(650498)	(650498)	(650498)	(650498)	(650498)
26	Nut, #8-32 Hex W/Star Washer	2	(650634-04)	(650634-04)	(650634-04)	(650634-04)	(650634-04)
-	Spacer, Circuit Board,Edge Hold	6	(650912-10)	(650912-10)	(650912-10)	(650912-10)	(650912-10)
27	Impregnated Foam Corrosion Inh	1	(651331)	(651331)	(651331)	(651331)	(651331)
28	Lock Washer, External Tooth	1	(651389)	(651389)	(651389)	(651389)	(651389)
29	Bar Bus Grounding	2	(651440)	(651440)	(651440)	(651440)	(651440)
30	Wire Clip With Adhesive	6	(651446-02)	(651446-02)	(651446-02)	(651446-02)	(651446-02)
31	Aluminum Hex Standoff	2	(651500-09)	(651500-09)	(651500-09)	(651500-09)	(651500-09)
32	Slotted Set Screw ¼-28x.500	7	(651510)	(651510)	(651510)	(651510)	(651510)
<b>XFMR ASSY.</b>			633148-01	633148-01	633148-01	633148-01	633148-01
33	Xfmr, Power-26.5 Vac/ 60Hz	1	(633146)	(633146)	(633146)	(633146)	(633146)
-	Cable Tie, Nylon 7/8 Bundle	1	650131	650131	650131	650131	650131
-	Terminal Crimp Molex	5	(650323)	(650323)	(650323)	(650323)	(650323)
-	Housing Crimp Terminal 5 Circ	1	(650873-05)	(650873-05)	(650873-05)	(650873-05)	(650873-05)

Note: Part Numbers enclosed in brackets ( ) are not available individually, but may be sold in assemblies or kits.

ESP12SAT2S/ ESP16SAT2S/ ESP24SAT2S/ ESP32SAT2S/ ESP40SAT2S  
(STAINLESS STEEL PEDESTAL, 120 VOLT, 60 Hz)

DOOR ASSEMBLY

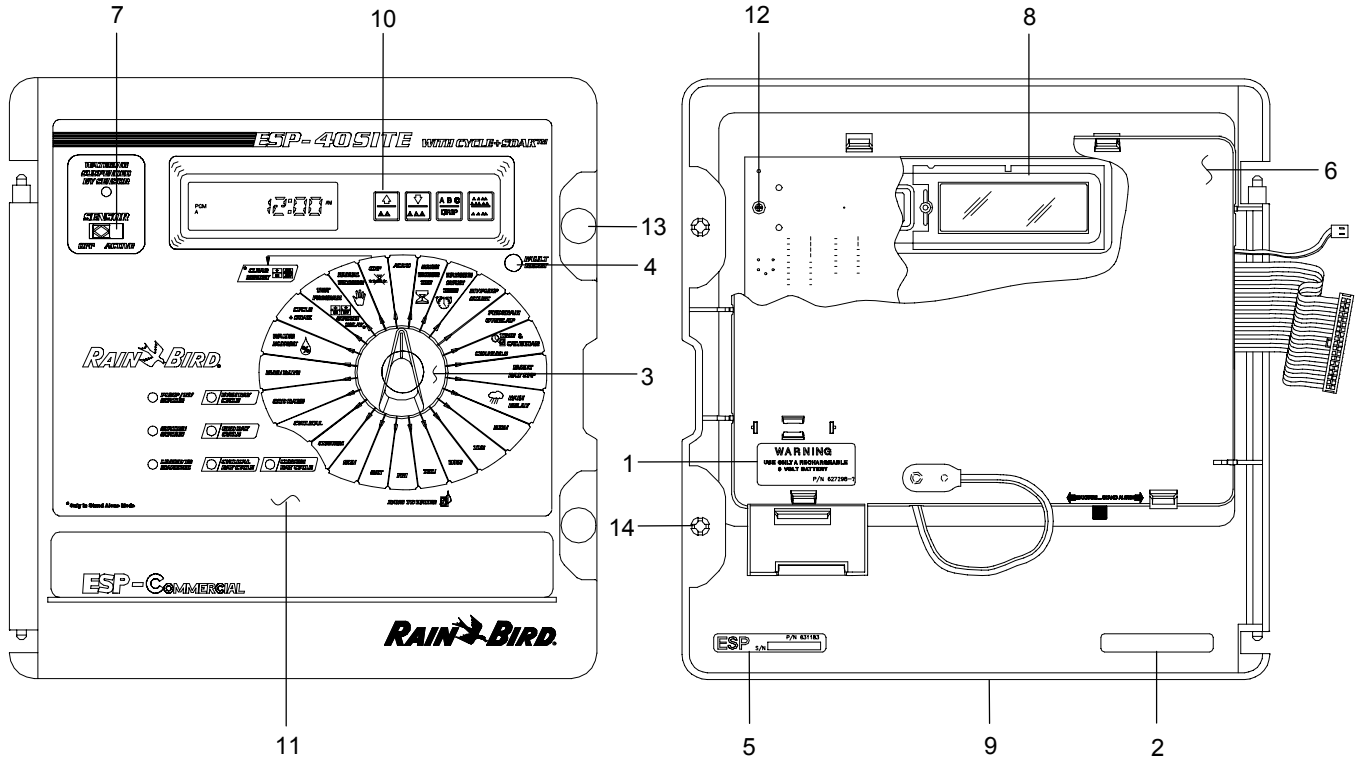


Ref.	Description	Qty.	12	16	24	32	40
	<b>DOOR ASSEMBLY</b>		(633482-03)	(633482-03)	(633482-03)	(633482-03)	(633482-03)
-	Door Assy, Pedestal	1	(629463)	(629463)	(629463)	(629463)	(629463)
1	Door, Pedestal	1	(629465)	(629465)	(629465)	(629465)	(629465)
2	Gasket Foam S/S Ped 4 Per	4	(629499)	(629499)	(629499)	(629499)	(629499)
3	Label/Envelope-Esp-Mc	1	(633174)	(633174)	(633174)	(633174)	(633174)
4	Label, Fcc Compliance, e-Class	1	(633662)	(633662)	(633662)	(633662)	(633662)
5	Label, Rating	1	(634385-05)	(634385-05)	(634385-05)	(634385-05)	(634385-05)
6	Label, Keep Door Closed	1	(634501)	(634501)	(634501)	(634501)	(634501)

Note: Part Numbers enclosed in brackets ( ) are not available individually, but may be sold in assemblies or kits.

ESP12SAT2S/ ESP16SAT2S/ ESP24SAT2S/ ESP32SAT2S/ ESP40SAT2S  
 (STAINLESS STEEL PEDESTAL, 120 VOLT, 60 Hz)

FRONT PANEL ASSEMBLY



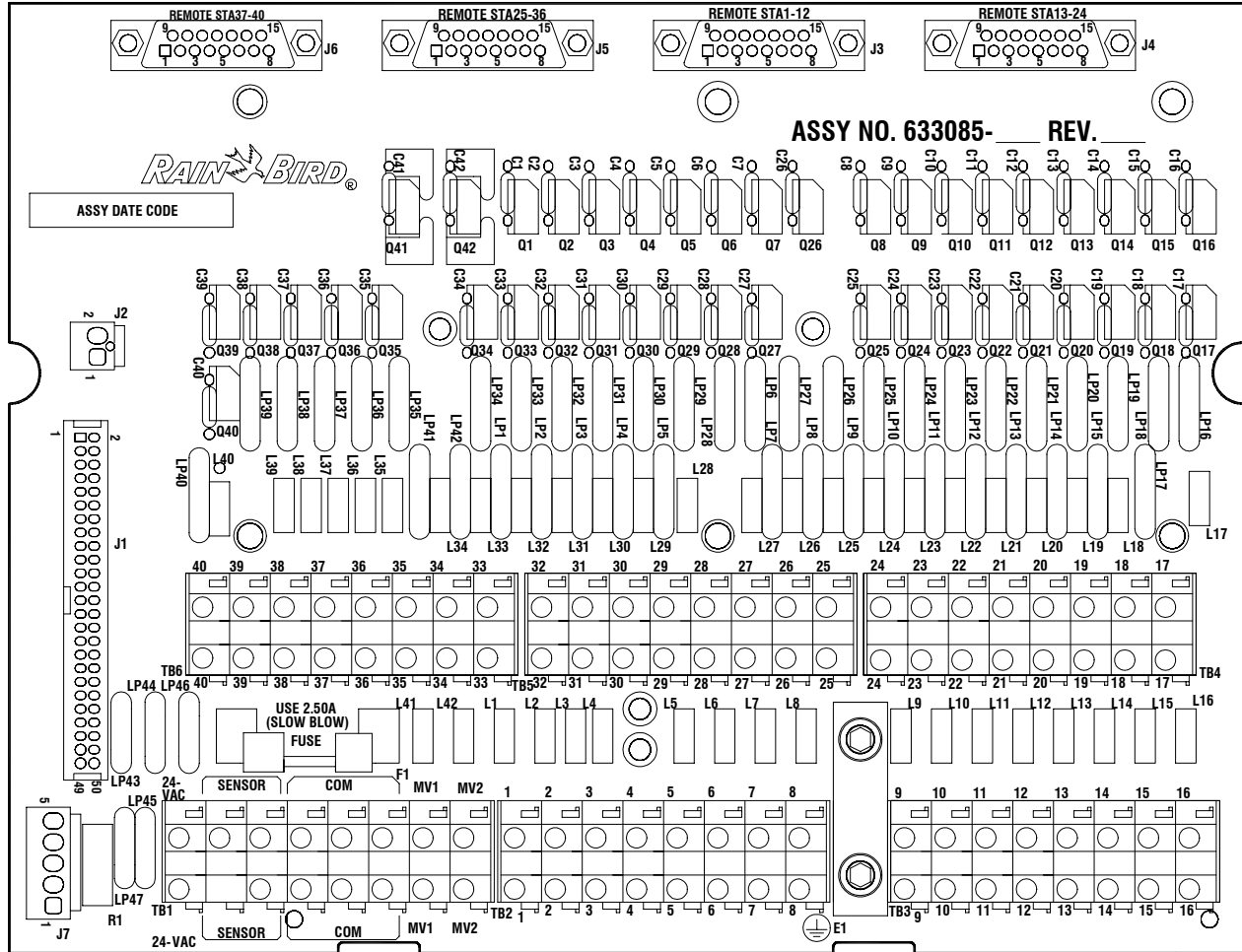
Ref.	Description	Qty.	12	16	24	32	40
<b>FRONT PANEL ASSEMBLY</b>			(633461-02)	(633461-03)	(633461-04)	(633461-05)	(633461-06)
1	Label Warning Cic 8/12	1	(627298)	(627298)	(627298)	(627298)	(627298)
2	Label Date Code	1	(627867)	(627867)	(627867)	(627867)	(627867)
3	Func Select Knob Assy, Gray	1	630946	630946	630946	630946	630946
-	Esp Func Select Knob, Gray	1	(630947)	(630947)	(630947)	(630947)	(630947)
-	Ring Compression	1	(650505-06)	(650505-06)	(650505-06)	(650505-06)	(650505-06)
4	Button, Tm Pb Switch	1	(631136)	(631136)	(631136)	(631136)	(631136)
5	Label, Serial	1	(631183)	(631183)	(631183)	(631183)	(631183)
6	Cover, Pwb	1	(631920)	(631920)	(631920)	(631920)	(631920)
7	Switch, Actuator- Paragon	1	(632510)	(632510)	(632510)	(632510)	(632510)
8	Lens, Lcd-Esp-C-Lx	1	632700	632700	632700	632700	632700
9	Fp/Shield Assy-Esp-C	1	(632906)	(632906)	(632906)	(632906)	(632906)
-	Front Panel Esp-Mc	1	(631918)	(631918)	(631918)	(631918)	(631918)
-	Shield, Front Panel-Esp-C	1	(632897)	(632897)	(632897)	(632897)	(632897)
10	Keypad, Silicone	1	(632908)	(632908)	(632908)	(632908)	(632908)
11	Overlay, Fr Panel	1	(633324-02)	(633324-03)	(633324-04)	(633324-05)	(633324-06)
12	Screw, 4-24 x 5/16 Hi-Lo W/Wshr	5	(650563-23)	(650563-23)	(650563-23)	(650563-23)	(650563-23)
13	Lock, Plunger	2	(650927-02)	(650927-02)	(650927-02)	(650927-02)	(650927-02)
14	Lock, Grommet	2	(650928-02)	(650928-02)	(650928-02)	(650928-02)	(650928-02)

Note: Part Numbers enclosed in brackets ( ) are not available individually, but may be sold in assemblies or kits.



ESP12SAT2S/ ESP16SAT2S/ ESP24SAT2S/ ESP32SAT2S/ ESP40SAT2S  
(STAINLESS STEEL PEDESTAL, 120 VOLT, 60 Hz)

PWB ASSY TERMINAL



Ref.	Description	Qty.	12	16	24	32	40
<b>PWB ASSY TERMINAL</b>							
LP45,47	Mov 56V, 1000A	2	(633085-02)	(633085-03)	(633085-04)	(633085-05)	(633085-06)
LP46	Mov 56V, 1000A	1	624624	624624	624624	624624	624624
-	Label bar code 39	1	(631356-01)	(631356-01)	(631356-01)	(631356-01)	(631356-01)
-	Printed Wiring Board	1	(633086)	(633086)	(633086)	(633086)	(633086)
-	Fuse clip	2	(650098)	(650098)	(650098)	(650098)	(650098)
-	Solder	.01	(650160)	(650160)	(650160)	(650160)	(650160)
L41,42 L1-8	Inductor Ferrite Bead	10	650300-05	650300-05	650300-05	650300-05	650300-05
L9-12	Inductor Ferrite Bead	4	650300-05	650300-05	650300-05	650300-05	650300-05
L13-16	Inductor Ferrite Bead	4	-	650300-05	650300-05	650300-05	650300-05
L9-12	Inductor Ferrite Bead	4	650300-05	650300-05	650300-05	650300-05	650300-05

Note: Part Numbers enclosed in brackets ( ) are not available individually, but may be sold in assemblies or kits.

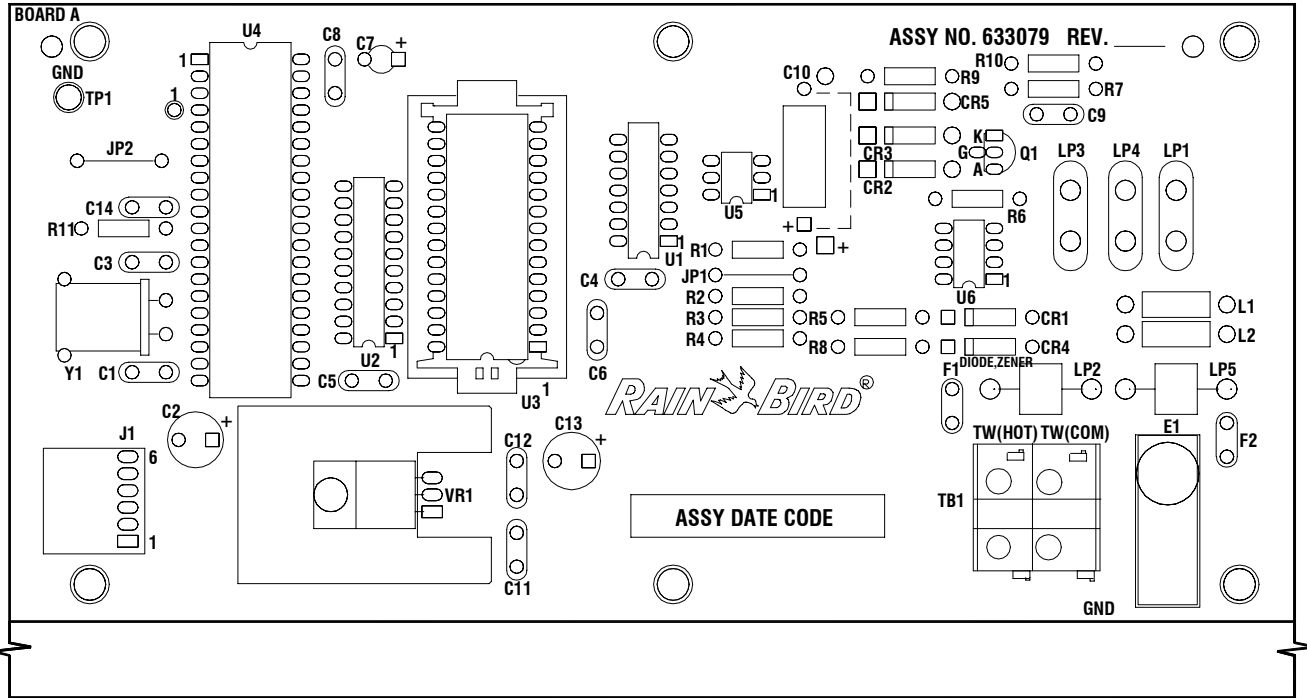
ESP12SAT2S/ ESP16SAT2S/ ESP24SAT2S/ ESP32SAT2S/ ESP40SAT2S  
(STAINLESS STEEL PEDESTAL, 120 VOLT, 60 Hz)

Ref.	Description	Qty.	12	16	24	32	40
<b>PWB ASSY TERMINAL, CONT.</b>							
L13-16	Inductor Ferrite Bead	4	-	650300-05	650300-05	650300-05	650300-05
L17-24	Inductor Ferrite Bead	8	-	-	650300-05	650300-05	650300-05
L25-32	Inductor Ferrite Bead	8	-	-	-	650300-05	650300-05
L33-40	Inductor Ferrite Bead	8	-	-	-	-	650300-05
-	Fuse 2.5Amp	1	(650431-28)	(650431-28)	(650431-28)	(650431-28)	(650431-28)
J3	Connector, DB15S 15 Pins	1	(650610-06)	(650610-06)	(650610-06)	(650610-06)	(650610-06)
J4	Connector, DB15S 15 Pins	1	-	(650610-06)	(650610-06)	(650610-06)	(650610-06)
J5	Connector, DB15S 15 Pins	1	-	-	-	(650610-06)	(650610-06)
J6	Connector, DB15S 15 Pins	1	-	-	-	-	(650610-06)
J3	Jack Socket Kit	1	(650620)	(650620)	(650620)	(650620)	(650620)
J4	Jack Socket Kit	1	-	(650620)	(650620)	(650620)	(650620)
J5	Jack Socket Kit	1	-	-	-	(650620)	(650620)
J6	Jack Socket Kit	1	-	-	-	-	(650620)
R1	Resistor, 2% 2W 0.1Ohms	1	(650766-01)	(650766-01)	(650766-01)	(650766-01)	(650766-01)
LP1-8							
LP41,42	Mov 20MM 47V, 2000A	10	650796	650796	650796	650796	650796
LP9-12	Mov 20MM 47V, 2000A	4	650796	650796	650796	650796	650796
LP13-16	Mov 20MM 47V, 2000A	4	-	650796	650796	650796	650796
LP17-24	Mov 20MM 47V, 2000A	8	-	-	650796	650796	650796
LP25-32	Mov 20MM 47V, 2000A	8	-	-	-	650796	650796
LP33-40	Mov 20MM 47V, 2000A	8	-	-	-	-	650796
J1	Header, Polzd., .100Ctrs. 50Pins	1	(650872-50)	(650872-50)	(650872-50)	(650872-50)	(650872-50)
LP44	Mov 47V. 1000A	1	650875	650875	650875	650875	650875
C1-8 C41,42	Capacitor, Ceramic Axial .01uF,100V	10	(650882-01)	(650882-01)	(650882-01)	(650882-01)	(650882-01)
C9-12	Capacitor, Ceramic Axial .01uF,100V	4	(650882-01)	(650882-01)	(650882-01)	(650882-01)	(650882-01)
C13-16	Capacitor, Ceramic Axial .01uF,100V	4	-	(650882-01)	(650882-01)	(650882-01)	(650882-01)
C17-24	Capacitor, Ceramic Axial .01uF,100V	8	-	-	(650882-01)	(650882-01)	(650882-01)
C25-32	Capacitor, Ceramic Axial .01uF,100V	8	-	-	-	(650882-01)	(650882-01)
C33-40	Capacitor, Ceramic Axial .01uF,100V	8	-	-	-	-	(650882-01)
J2	Header, Polzd., .156Ctrs. 2Pins	1	(650893-02)	(650893-02)	(650893-02)	(650893-02)	(650893-02)
J7	Header, Polzd., .156Ctrs. 5Pins	1	(650893-05)	(650893-05)	(650893-05)	(650893-05)	(650893-05)
TB1,2	Terminal Blk. .300SPC 1Pos	16	(651000-01)	(651000-01)	(651000-01)	(651000-01)	(651000-01)
TB3	Terminal Blk. .300SPC 1Pos	8	(651000-01)	(651000-01)	(651000-01)	(651000-01)	(651000-01)
TB4	Terminal Blk. .300SPC 1Pos	8	-	-	(651000-01)	(651000-01)	(651000-01)
TB5	Terminal Blk. .300SPC 1Pos	8	-	-	-	(651000-01)	(651000-01)
TB6	Terminal Blk. .300SPC 1Pos	8	-	-	-	-	(651000-01)
Q1-8 Q41,42	Triac, 6Amps	10	651138	651138	651138	651138	651138
Q9-12	Triac, 6Amps	4	651138	651138	651138	651138	651138
Q13-16	Triac, 6Amps	4	-	651138	651138	651138	651138
Q17-24	Triac, 6Amps	8	-	-	651138	651138	651138
Q25-32	Triac, 6Amps	8	-	-	-	651138	651138
Q33-40	Triac, 6Amps	8	-	-	-	-	651138
LP43	Mov 50V, 2500A	1	(651272)	(651272)	(651272)	(651272)	(651272)

Note: Part Numbers enclosed in brackets ( ) are not available individually, but may be sold in assemblies or kits.

ESP12SAT2S/ ESP16SAT2S/ ESP24SAT2S/ ESP32SAT2S/ ESP40SAT2S  
 (STAINLESS STEEL PEDESTAL, 120 VOLT, 60 Hz)

**PWB ASSY ESP-MC TWO WIRE**



Ref.	Description	Qty.	12	16	24	32	40
<b>PWB ASSY ESP-MC TWO WIRE</b>							
LP2,5	Spark Gap	2	(633079-01)	(633079-01)	(633079-01)	(633079-01)	(633079-01)
-	Label, Bar Code 39	1	(624625)	(624625)	(624625)	(624625)	(624625)
-	Printed Wiring Board	1	(631356-01)	(631356-01)	(631356-01)	(631356-01)	(631356-01)
-	Printed Wiring Board	1	(633080)	(633080)	(633080)	(633080)	(633080)
U3	Prom Carrier Assy	1	(650012-15)	(650012-15)	(650012-15)	(650012-15)	(650012-15)
C1,3	Capacitor, Ceramic Disc 30pF,50V	2	(650013-45)	(650013-45)	(650013-45)	(650013-45)	(650013-45)
C4-6, C8,11, C12,14	Capacitor, Ceramic Disc 0.1uF,50V	7	(650016)	(650016)	(650016)	(650016)	(650016)
LP1,3,4	Mov 68V,500A	3	(650038-12)	(650038-12)	(650038-12)	(650038-12)	(650038-12)
CR1,4	Diode,Zener,500mW,8.2V	2	(650040-57)	(650040-57)	(650040-57)	(650040-57)	(650040-57)
C9	Capacitor,Ceramic Disc .001uF,100V	1	(650046-13)	(650046-13)	(650046-13)	(650046-13)	(650046-13)
C10	Capacitor,Electrl Axial 47uF,50V	1	(650070-01)	(650070-01)	(650070-01)	(650070-01)	(650070-01)
U5	IC,Opto—Isolator,Triac MOC3011	1	(650077-02)	(650077-02)	(650077-02)	(650077-02)	(650077-02)
CR2,3	Diode,Gen Purpose,1Amp	2	(650079-59)	(650079-59)	(650079-59)	(650079-59)	(650079-59)
CR5	Diode,Gen Purpose,1Amp	1					
R1	Resistor,Carbon Film,1/4W 270Ohms	1					

Note: Part Numbers enclosed in brackets ( ) are not available individually, but may be sold in assemblies or kits.

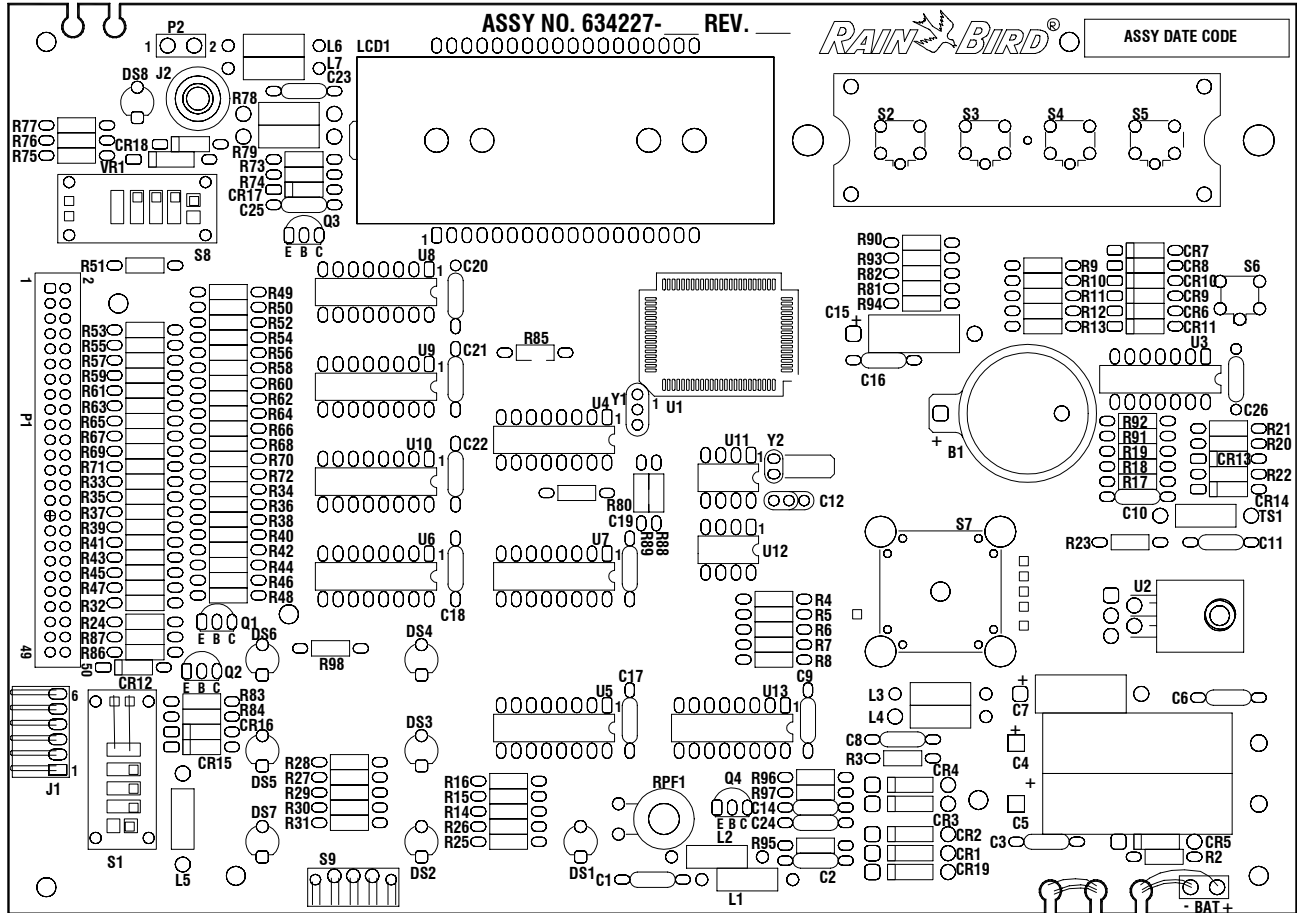
ESP12SAT2S/ ESP16SAT2S/ ESP24SAT2S/ ESP32SAT2S/ ESP40SAT2S  
(STAINLESS STEEL PEDESTAL, 120 VOLT, 60 Hz)

Ref.	Description	Qty.	12	16	24	32	40
<b>PWB ASSY ESP-MC TWO WIRE, CONT.</b>							
R7,10	Resistor,Carbon Fil,1/4W 1K	2	(650079-73)	(650079-73)	(650079-73)	(650079-73)	(650079-73)
R6	Resistor,carbon Film 1/4W 1.3K	1	(650079-76)	(650079-76)	(650079-76)	(650079-76)	(650079-76)
R9,11	Resistor,Carbon Film,1/4 4.7K	2	650079-89	650079-89	650079-89	650079-89	650079-89
R2,3							
R5,8	Resistor,Carbon Film,1/4W 47K	4	(650080-14)	(650080-14)	(650080-14)	(650080-14)	(650080-14)
R4	Resistor,Carbon Film, 1/4W 100K	1	(650080-22)	(650080-22)	(650080-22)	(650080-22)	(650080-22)
VR1	Heatsink, Grease	.01	(650101)	(650101)	(650101)	(650101)	(650101)
VR1	Rivet,Blind,Domehead .125Dia	1	(650139-05)	(650139-05)	(650139-05)	(650139-05)	(650139-05)
-	Solder	.01	(650160)	(650160)	(650160)	(650160)	(650160)
L1,2	Inductor,Ferrite Bead	2	650300-05	650300-05	650300-05	650300-05	650300-05
VR1	Regulator, +5V	1	650332	650332	650332	650332	650332
VR1	Regulator,Heatsink, to 220	1	(650335)	(650335)	(650335)	(650335)	(650335)
TP1	Test Point, PC Mount	1	(650336-01)	(650336-01)	(650336-01)	(650336-01)	(650336-01)
Q1	SCR	1	650375	650375	650375	650375	650375
U6	Ic,Opto-Coupler, Dual, High Gain	1	650445	650445	650445	650445	650445
U3	Socket, Prom Carrier	1	650518-02	650518-02	650518-02	650518-02	650518-02
U1	Ic,Hex Schmitt Inverter	1	650540	650540	650540	650540	650540
C7	Capacitor,Tantalum,Radial 2.2uF25V	1	650583-03	650583-03	650583-03	650583-03	650583-03
C2,13	Capacitor,Tantalum,Radial 22uF25V	2	650583-09	650583-09	650583-09	650583-09	650583-09
U2	Ic, Octal D-Type Latch	1	650611	650611	650611	650611	650611
JP2	Wire,22Awg,Auto-Inserted .500Lead	1	(650625-03)	(650625-03)	(650625-03)	(650625-03)	(650625-03)
Y1	Wire,22Awg,Auto-Inserted .500Lead	.55	(650625-03)	(650625-03)	(650625-03)	(650625-03)	(650625-03)
Y1	Crystal,Quartz 11.059MHz	1	650721	650721	650721	650721	650721
TB1	Phnx. Terminal Block .300Ctrs. 1 Pos	2	(651000-01)	(651000-01)	(651000-01)	(651000-01)	(651000-01)
J1	Header,Right,Angle .100Ctrs 6 Pins	1	(651005-06)	(651005-06)	(651005-06)	(651005-06)	(651005-06)
U4	Ic, Microprocessor	1	651031	651031	651031	651031	651031
F1,2	Polyswitch, Rxe Series	2	(651055-08)	(651055-08)	(651055-08)	(651055-08)	(651055-08)

Note: Part Numbers enclosed in brackets ( ) are not available individually, but may be sold in assemblies or kits.

ESP12SAT2S/ ESP16SAT2S/ ESP24SAT2S/ ESP32SAT2S/ ESP40SAT2S  
(STAINLESS STEEL PEDESTAL, 120 VOLT, 60 Hz)

PWB ASSY ESP-MC ESC-1 CONTROLLER



Ref.	Description	Qty.	12	16	24	32	40
<b>PWB ASSY ESP-MC ESC-1 CONTROLLER</b>			(634227-02)	(634227-03)	(634227-04)	(634227-05)	(634227-06)
S7	Switch Rotary	1	(630609)	(630609)	(630609)	(630609)	(630609)
S8	Switch, Slide	1	(630651)	(630651)	(630651)	(630651)	(630651)
-	Label, Bar Code 39	1	(631356-01)	(631356-01)	(631356-01)	(631356-01)	(631356-01)
LCD1	Spacer, LCD	1	(632046)	(632046)	(632046)	(632046)	(632046)
P2	Sensor Cable	1	(632048-01)	(632048-01)	(632048-01)	(632048-01)	(632048-01)
J2	Spring, Shield .70 Long	1	(632898-01)	(632898-01)	(632898-01)	(632898-01)	(632898-01)
LCD1	Liquid, Crystal Display	1	(633087)	(633087)	(633087)	(633087)	(633087)
U1	Microcomp., Toshiba, OTP	1	(633088)	(633088)	(633088)	(633088)	(633088)
P1	Ribbon Cable Assy 50Ckts	1	(633090)	(633090)	(633090)	(633090)	(633090)
-	Printed Wiring Board	1	(634228)	(634228)	(634228)	(634228)	(634228)
C12	Capacitor, ceramic radial 6pF, 50V	1	(650012-04)	(650012-04)	(650012-04)	(650012-04)	(650012-04)
U2	Washer, Flat, carbon Steel	1	(650023-03)	(650023-03)	(650023-03)	(650023-03)	(650023-03)

Note: Part Numbers enclosed in brackets ( ) are not available individually, but may be sold in assemblies or kits.

ESP12SAT2S/ ESP16SAT2S/ ESP24SAT2S/ ESP32SAT2S/ ESP40SAT2S  
(STAINLESS STEEL PEDESTAL, 120 VOLT, 60 Hz)

Ref.	Description	Qty.	12	16	24	32	40
<b>PWB ASSY ESP-MC ESC-1 CONTROLLER, CONT.</b>							
CR6	Diode, Switching	1	650037-01	650037-01	650037-01	650037-01	650037-01
CR7	Diode, Switching	1	650037-01	-	650037-01	-	650037-01
CR8	Diode, Switching	1	-	650037-01	650037-01	-	-
CR9	Diode, Switching	1	-	-	-	650037-01	650037-01
CR11-18	Diode, Switching	8	650037-01	650037-01	650037-01	650037-01	650037-01
VR1	Diode, Zener, 500mW, 5.6V	1	(650038-71)	(650038-71)	(650038-71)	(650038-71)	(650038-71)
C7, 15	Capacitor, Electrolytic, Axial 47uF, 10V	2	(650044-03)	(650044-03)	(650044-03)	(650044-03)	(650044-03)
BAT	Battery Snap 9V	1	650075	650075	650075	650075	650075
CR1-5 C19	Diode, Gen Purpose, 1Amp	6	650077-02	650077-02	650077-02	650077-02	650077-02
R23, 85 R98	Resistor, Carbon Film, 1/4W, 10Ohms	2	(650079-25)	(650079-25)	(650079-25)	(650079-25)	(650079-25)
R49-56 R24, 32,	Resistor, Carbon Film 1/4W, 150Ohms	11	(650079-53)	(650079-53)	(650079-53)	(650079-53)	(650079-53)
R57-60	Resistor, Carbon Film 1/4W, 150Ohms	4	(650079-53)	(650079-53)	(650079-53)	(650079-53)	(650079-53)
R61-64	Resistor, Carbon Film 1/4W, 150Ohms	4	-	(650079-53)	(650079-53)	(650079-53)	(650079-53)
R65-72	Resistor, Carbon Film 1/4W, 150Ohms	8	-	-	(650079-53)	(650079-53)	(650079-53)
R33-40	Resistor, Carbon Film 1/4W, 150Ohms	8	-	-	-	(650079-53)	(650079-53)
R41-48	Resistor, Carbon Film 1/4W, 150Ohms	8	-	-	-	-	(650079-53)
R25-31	Resistor, Carbon Film 1/4W 470Ohms	7	(650079-65)	(650079-65)	(650079-65)	(650079-65)	(650079-65)
R17, 95	Resistor, Carbon Film, 1/4W, 1KOhm	2	(650079-73)	(650079-73)	(650079-73)	(650079-73)	(650079-73)
R76	Resistor, Carbon Film, 1/4W, 2KOhms	1	(650079-80)	(650079-80)	(650079-80)	(650079-80)	(650079-80)
R2	Resistor, Carbon Film, 1/4W 3.3KOhms	1	(650079-85)	(650079-85)	(650079-85)	(650079-85)	(650079-85)
R88-90 R84, 87 R20-22	Resistor, Carbon Film, 1/4W, 4.7KOhms	8	650079-89	650079-89	650079-89	650079-89	650079-89
R92	Resistor, Carbon Film, 1/4W, 8.2KOhms	1	(650079-95)	(650079-95)	(650079-95)	(650079-95)	(650079-95)
R19, 91	Resistor, Carbon Film, 1/4W, 10Kohms	2	(650079-97)	(650079-97)	(650079-97)	(650079-97)	(650079-97)
R83, 86 R18, 80 R94	Resistor, Carbon Film, 1/4W, 47KOhms	4	(650080-14)	(650080-14)	(650080-14)	(650080-14)	(650080-14)
R82, 93, R43, 81 R4-16	Resistor, Carbon Film, 1/4W 100Kohms	18	(650080-22)	(650080-22)	(650080-22)	(650080-22)	(650080-22)
R96, 97 R74, 75 R3	Resistor, Carbon Film, 1/4W, 220KOhms	5	(650080-30)	(650080-30)	(650080-30)	(650080-30)	(650080-30)
C20, 24 C16, 17 C10, 14 C3, 8, 9	Capacitor, Ceramic Axial .1uF, 50V	9	(650085-55)	(650085-55)	(650085-55)	(650085-55)	(650085-55)

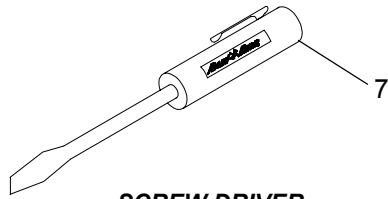
Note: Part Numbers enclosed in brackets ( ) are not available individually, but may be sold in assemblies or kits.

ESP12SAT2S/ ESP16SAT2S/ ESP24SAT2S/ ESP32SAT2S/ ESP40SAT2S  
(STAINLESS STEEL PEDESTAL, 120 VOLT, 60 Hz)

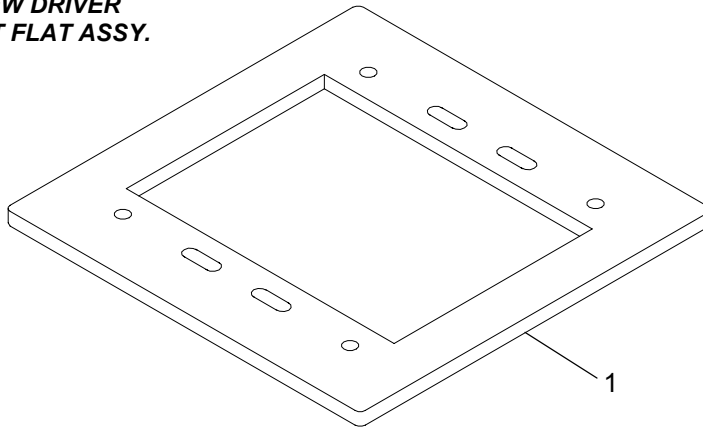
Ref.	Description	Qty.	12	16	24	32	40
<b>PWB ASSY ESP-MC ESC-1 CONTROLLER, CONT.</b>							
C21	Capacitor, Ceramic Axial .1uF, 50V	1	(650085-55)	(650085-55)	(650085-55)	(650085-55)	(650085-55)
C22	Capacitor, Ceramic Axial .1uF, 50V	1	-	-	(650085-55)	(650085-55)	(650085-55)
C18	Capacitor, Ceramic Axial .1uF, 50V	1	-	-	-	(650085-55)	(650085-55)
C19	Capacitor, Ceramic Axial .1uF, 50V	1	-	-	-	-	(650085-55)
U2	Rivet, Blind Dome HD. .125Dia	1	(650139-05)	(650139-05)	(650139-05)	(650139-05)	(650139-05)
R78,79	Resistor, Carbon Film, 1/2W, 1KOhms	2	(650202-73)	(650202-73)	(650202-73)	(650202-73)	(650202-73)
L1-7	Inductor, Ferrite Bead	7	650300-05	650300-05	650300-05	650300-05	650300-05
U3	IC Quad OP Amp	1	650358	650358	650358	650358	650358
Q3,4	Transistor, NPN, 624mW	2	650367	650367	650367	650367	650367
Q1,2	Transistor, PNP	2	650369	650369	650369	650369	650369
Y2	Crystal, Quartz 32.768KHz	1	(650484)	(650484)	(650484)	(650484)	(650484)
TS1	Transient Suppressor 6.8V	1	(650595-01)	(650595-01)	(650595-01)	(650595-01)	(650595-01)
C5	Capacitor, Electrolt, Axial 330uF, 25V	1	(650624)	(650624)	(650624)	(650624)	(650624)
U4	3-8 Line Decoder	1	650699	650699	650699	650699	650699
S2,3,4 S5,6	Switch, Pushbutton	5	(650748)	(650748)	(650748)	(650748)	(650748)
C23,25 C1,2,11	Capacitor, ceramic Axial .01uF, 100V	5	(650882-01)	(650882-01)	(650882-01)	(650882-01)	(650882-01)
C6	Capacitor, NPO, Axial 10pF, 100V	1	(650883-13)	(650883-13)	(650883-13)	(650883-13)	(650883-13)
C26	Capacitor, NPO, Axial 220pF, 100V	1	(650883-17)	(650883-17)	(650883-17)	(650883-17)	(650883-17)
U5,8	8Bit Addressable Latch	2	650889	650889	650889	650889	650889
U9	8Bit Addressable Latch	1	650889	650889	650889	650889	650889
U10	8Bit Addressable Latch	1	-	-	650889	650889	650889
U6	8Bit Addressable Latch	1	-	-	-	650889	650889
U7	8Bit Addressable Latch	1	-	-	-	-	650889
DS1-8	Led, red, .200Ctrs.	8	650910	650910	650910	650910	650910
U2	Regulator, Low Dropout	1	(650962)	(650962)	(650962)	(650962)	(650962)
J2	Eyelet, Spring	1	(650985)	(650985)	(650985)	(650985)	(650985)
J1	Header, Polzd. Radial, .100Ctrs 6Pins	1	(651005-06)	(651005-06)	(651005-06)	(651005-06)	(651005-06)
B1	Battery, Lithium	1	(651009)	(651009)	(651009)	(651009)	(651009)
B1	Holder, Battery Coin	1	(651010)	(651010)	(651010)	(651010)	(651010)
U11	IC, Real Time Clock	1	(651011)	(651011)	(651011)	(651011)	(651011)
U12	IC, EEPROM-4K Byte, Serial	1	(651012)	(651012)	(651012)	(651012)	(651012)
Y1	Resonator, ceramic 8.00MHz	1	(651013)	(651013)	(651013)	(651013)	(651013)
U13	IC, 8Bit Input Mux	1	(651014)	(651014)	(651014)	(651014)	(651014)
C4	Capacitor, Electrolt, Axial 1000uF, 25V	1	(651054-12)	(651054-12)	(651054-12)	(651054-12)	(651054-12)
RPF1	Polyswitch, RXE, 60V, .65A	1	(651055-08)	(651055-08)	(651055-08)	(651055-08)	(651055-08)
S9	Switch Slide	1	(651292)	(651292)	(651292)	(651292)	(651292)

Note: Part Numbers enclosed in brackets ( ) are not available individually, but may be sold in assemblies or kits.

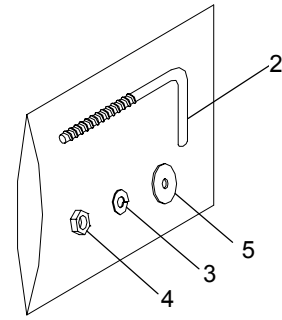
ESP12SAT2S/ ESP16SAT2S/ ESP24SAT2S/ ESP32SAT2S/ ESP40SAT2S  
 (STAINLESS STEEL PEDESTAL, 120 VOLT, 60 Hz)



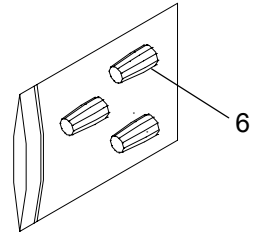
**SCREW DRIVER  
POCKET FLAT ASSY.**



**TEMPLATE MOUNTING**



**MOUNTING  
HARDWARE**



**WIRE NUTS KIT**

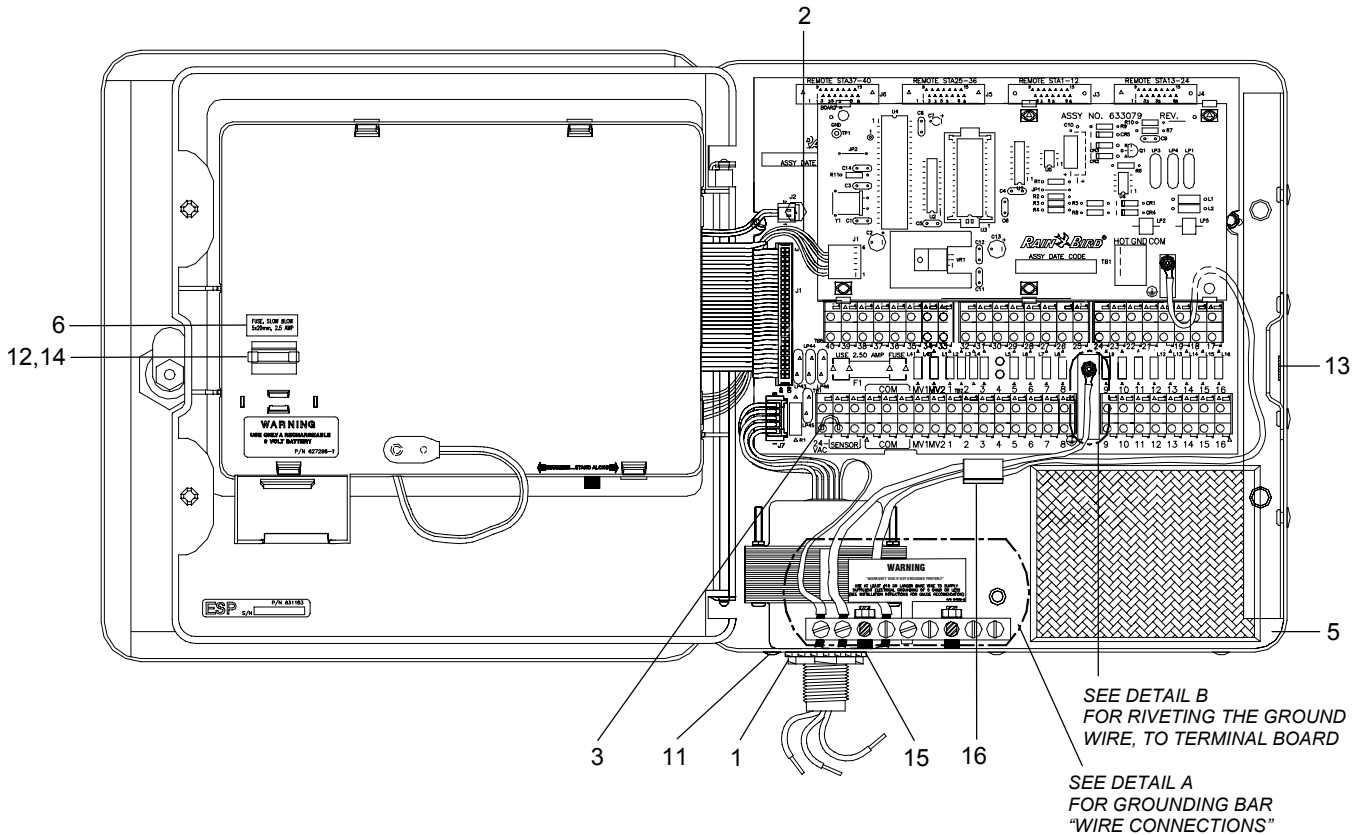
Ref.	Description	Qty.	12	16	24	32	40
<b>ACCESSORIES</b>							
-	Bag, Poly 6x8	2	(601846)	(601846)	(601846)	(601846)	(601846)
1	Template Mounting Plastic	1	629602	629602	629602	629602	629602
	Card, Customer Registration-Tm	1	(632354)	(632354)	(632354)	(632354)	(632354)
-	Mounting Hardware						
2	Bolt Anchor	4	629557	629557	629557	629557	629557
3	Washer 5/16 Lock-Spring	4	(650029-07)	(650029-07)	(650029-07)	(650029-07)	(650029-07)
4	Nut, Hex 5/16	4	(650033-07)	(650033-07)	(650033-07)	(650033-07)	(650033-07)
5	Washer Flat 5/6 Type B	4	(650441)	(650441)	(650441)	(650441)	(650441)
-	Instructions, Installation & Oper	1	633686	633686	633686	633686	633686
-	Instruction, Installation & Oper Spanis	1	(633696)	(633696)	(633696)	(633696)	(633696)
-	Guide, Operations Addendum	1	(633942)	(633942)	(633942)	(633942)	(633942)
-	Wire Nuts, Kit	1	(634613)	(634613)	(634613)	(634613)	(634613)
-	Label Warning Hang Tag-Local	1	(634503)	(634503)	(634503)	(634503)	(634503)
-	Bag, Zip Lock	1	(650924-01)	(650924-01)	(650924-01)	(650924-01)	(650924-01)
6	Wire Nut 22-14,	3	(651351)	(651351)	(651351)	(651351)	(651351)
-	Grounding Int. Addendum Ss Cont	1	(635009)	(635009)	(635009)	(635009)	(635009)
7	Assy, Screw Driver Pocket Flat	1	(650810)	(650810)	(650810)	(650810)	(650810)
-	Label, Screw Driver	1	(635095)	(635095)	(635095)	(635095)	(635095)
-	Screw Driver Pocket Flat Blade	1	(651475)	(651475)	(651475)	(651475)	(651475)
-	Bag, Zip Lock, Plastic 2.5x3	1	(650924-01)	(650924-01)	(650924-01)	(650924-01)	(650924-01)
-	Battery, Nicad 7.2V	1	650929	650929	650929	650929	650929

Note: Part Numbers enclosed in brackets ( ) are not available individually, but may be sold in assemblies or kits.



IESP12SAT2W/ IESP16SAT2W/ IESP24SAT2W/ IESP32SAT2W/ IESP40SAT2W  
 (TWO-WIRE COMMUNICATION, METAL WALL MOUNT, INTERNATIONAL, 240 VOLT, 50 Hz)

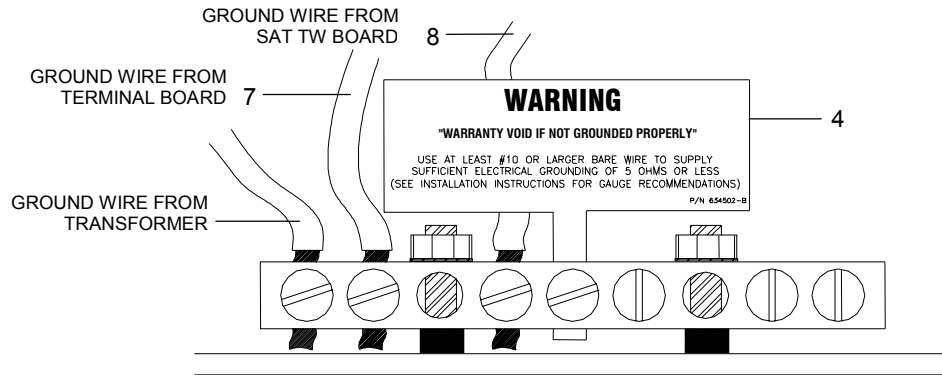
CONTROLLER ASSEMBLY



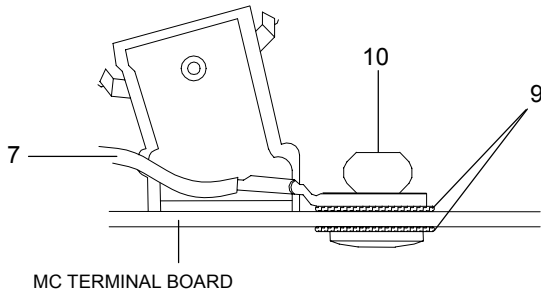
Ref.	Description	Qty.	12	16	24	32	40
<b>CONTROLLER ASSEMBLY</b>			(633460-08)	(633460-09)	(633460-10)	(633460-11)	(633460-12)
1	Locknut Conduit	1	(628013)	(628013)	(628013)	(628013)	(628013)
2	Cable Assy, 2Wire/Link Inrtfc-Mc	1	(633132)	(633132)	(633132)	(633132)	(633132)
3	Sensor Jumper Wire	1	(633442)	(633442)	(633442)	(633442)	(633442)
-	Label, Caution	1	(633657)	(633657)	(633657)	(633657)	(633657)
4	Label Warning Grounding	1	(634502)	(634502)	(634502)	(634502)	(634502)
-	Label, Warning Corrosion Inhibitor	1	(634558)	(634558)	(634558)	(634558)	(634558)
5	Parts Box Wm Cabinets	1	(634612)	(634612)	(634612)	(634612)	(634612)
6	Label, Fuse 2.5 Amp	1	(634615)	(634615)	(634615)	(634615)	(634615)

Note: Part Numbers enclosed in brackets ( ) are not available individually, but may be sold in assemblies or kits.

IESP12SAT2W/ IESP16SAT2W/ IESP24SAT2W/ IESP32SAT2W/ IESP40SAT2W  
 (TWO-WIRE COMMUNICATION, METAL WALL MOUNT, INTERNATIONAL, 240 VOLT, 50 Hz)



**DETAIL A**  
 VIEWED FROM OUTSIDE  
 OF THE CONTROLLER



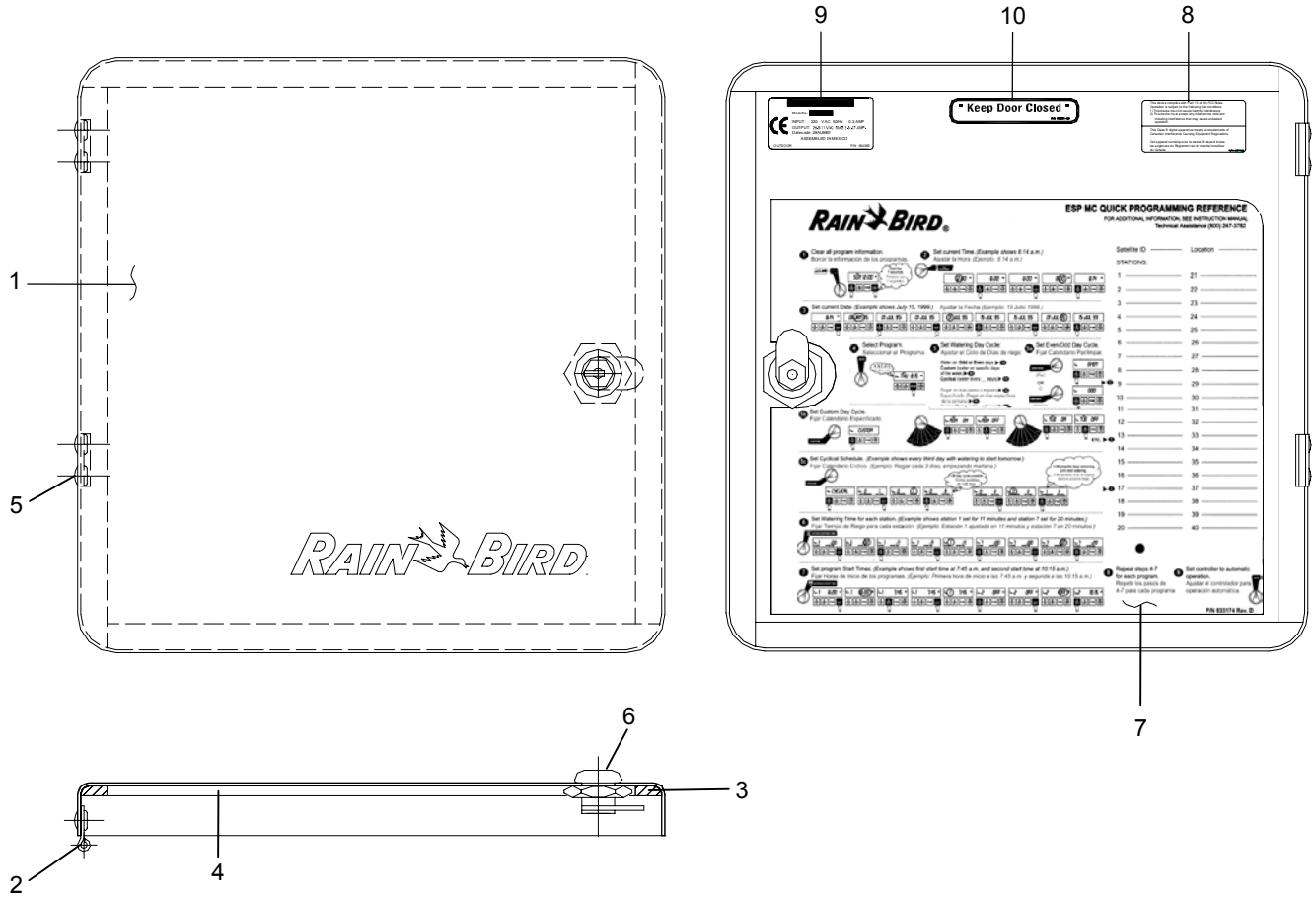
**DETAIL B**  
 VIEWED FROM RIGHT SIDE  
 OF THE CONTROLLER

Ref.	Description	Qty.	12	16	24	32	40
<b>CONTROLLER ASSEMBLY, CONT.</b>							
7	Ground Wire Assy 12 Awg (11)	1	(634943-11)	(634943-11)	(634943-11)	(634943-11)	(634943-11)
8	Ground Wire Assy 12 Awg (19)	1	(634943-19)	(634943-19)	(634943-19)	(634943-19)	(634943-19)
-	Label, KeyHole	2	(635011)	(635011)	(635011)	(635011)	(635011)
9	Washer Lock, #10, Ext-Tooth, Z-Pltd	4	(650162-04)	(650162-04)	(650162-04)	(650162-04)	(650162-04)
-	Screw Phl Pnh Hi-Lo 7-19x1/2	3	(650183-63)	(650183-63)	(650183-63)	(650183-63)	(650183-63)
10	Rivet, Blind 0.19	2	(650434-13)	(650434-13)	(650434-13)	(650434-13)	(650434-13)
11	Plug, Hole .250, Nyl, White	5	(650485-04)	(650485-04)	(650485-04)	(650485-04)	(650485-04)
-	Spacer, Circuit Board, Edge Hold	6	(650912-10)	(650912-10)	(650912-10)	(650912-10)	(650912-10)
12	Fuse, 5x20Mm, Slow Blow 21/2Amp	1	650966-14	650966-14	650966-14	650966-14	650966-14
13	Impregnated Foam Corrosion Inh	1	(651331)	(651331)	(651331)	(651331)	(651331)
14	Holder Fuse	1	(651384)	(651384)	(651384)	(651384)	(651384)
15	Lock Washer, External Tooth	1	(651389)	(651389)	(651389)	(651389)	(651389)
16	Wire Clip With Adhesive	1	(651446-02)	(651446-02)	(651446-02)	(651446-02)	(651446-02)

Note: Part Numbers enclosed in brackets ( ) are not available individually, but may be sold in assemblies or kits.

IESP12SAT2W/ IESP16SAT2W/ IESP24SAT2W/ IESP32SAT2W/ IESP40SAT2W  
 (TWO-WIRE COMMUNICATION, METAL WALL MOUNT, INTERNATIONAL, 240 VOLT, 50 Hz)

DOOR ASSEMBLY

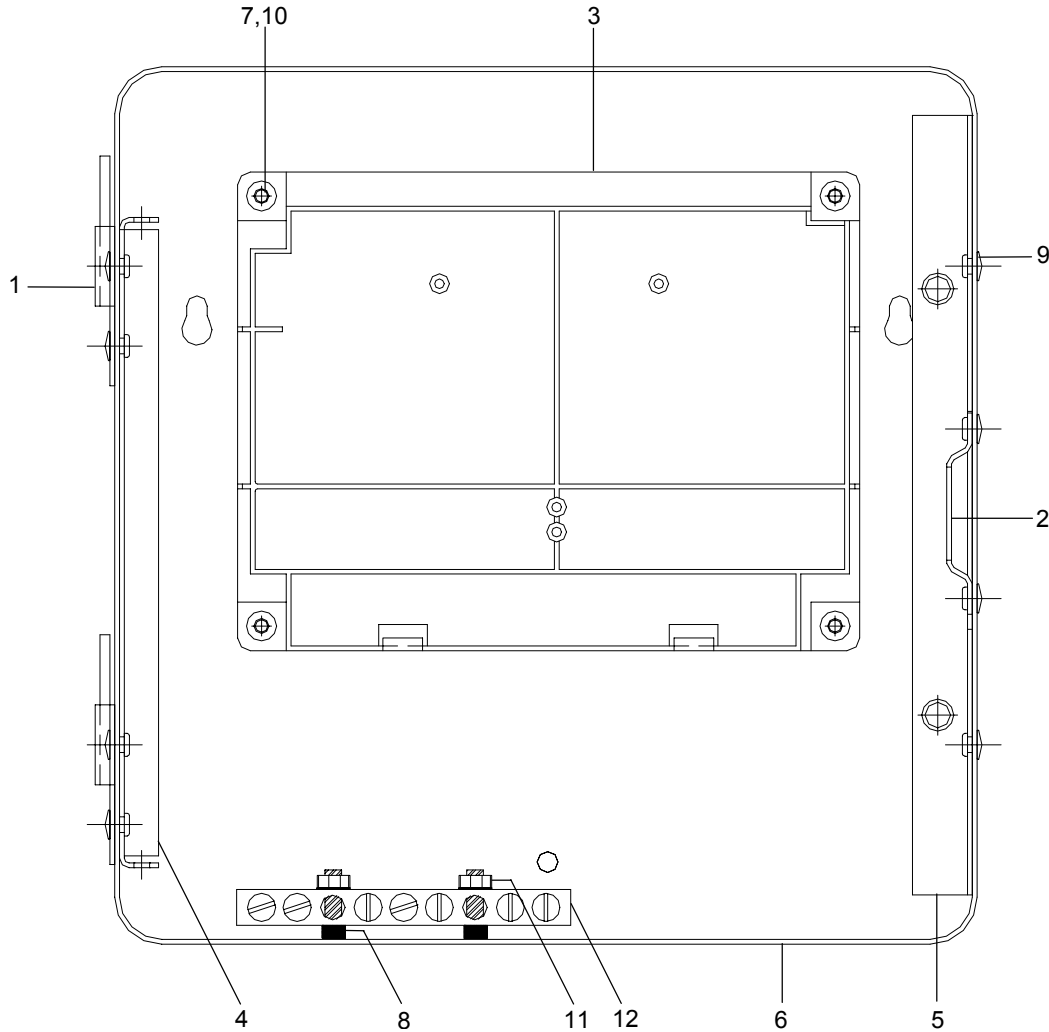


Ref.	Description	Qty.	12	16	24	32	40
<b>DOOR ASSEMBLY</b>			(633173-04)	(633173-04)	(633173-04)	(633173-04)	(633173-04)
-	Door Assy, Gray Deep Draw	1	629321-03	629321-03	629321-03	629321-03	629321-03
1	Door, Painted Gray	1	(629113-03)	(629113-03)	(629113-03)	(629113-03)	(629113-03)
2	Hinge Slip Joint F	2	(629227-02)	(629227-02)	(629227-02)	(629227-02)	(629227-02)
3	Gasket Foam 10.63	2	(629620-01)	(629620-01)	(629620-01)	(629620-01)	(629620-01)
4	Gasket Foam 10.43	2	(629620-02)	(629620-02)	(629620-02)	(629620-02)	(629620-02)
5	Rivet Semi Tubular Oval A	4	(650401)	(650401)	(650401)	(650401)	(650401)
6	Lock, Cam	1	650755	650755	650755	650755	650755
7	Label/Envelope	1	(633174)	(633174)	(633174)	(633174)	(633174)
8	Label, Fcc Compliance	1	(633662)	(633662)	(633662)	(633662)	(633662)
9	Label, Rating	1	(634385-06)	(634385-06)	(634385-06)	(634385-06)	(634385-06)
10	Label, Keep Door Closed	1	(634501)	(634501)	(634501)	(634501)	(634501)

Note: Part Numbers enclosed in brackets ( ) are not available individually, but may be sold in assemblies or kits.

IESP12SAT2W/ IESP16SAT2W/ IESP24SAT2W/ IESP32SAT2W/ IESP40SAT2W  
 (TWO-WIRE COMMUNICATION, METAL WALL MOUNT, INTERNATIONAL, 240 VOLT, 50 Hz)

CABINET ASSEMBLY

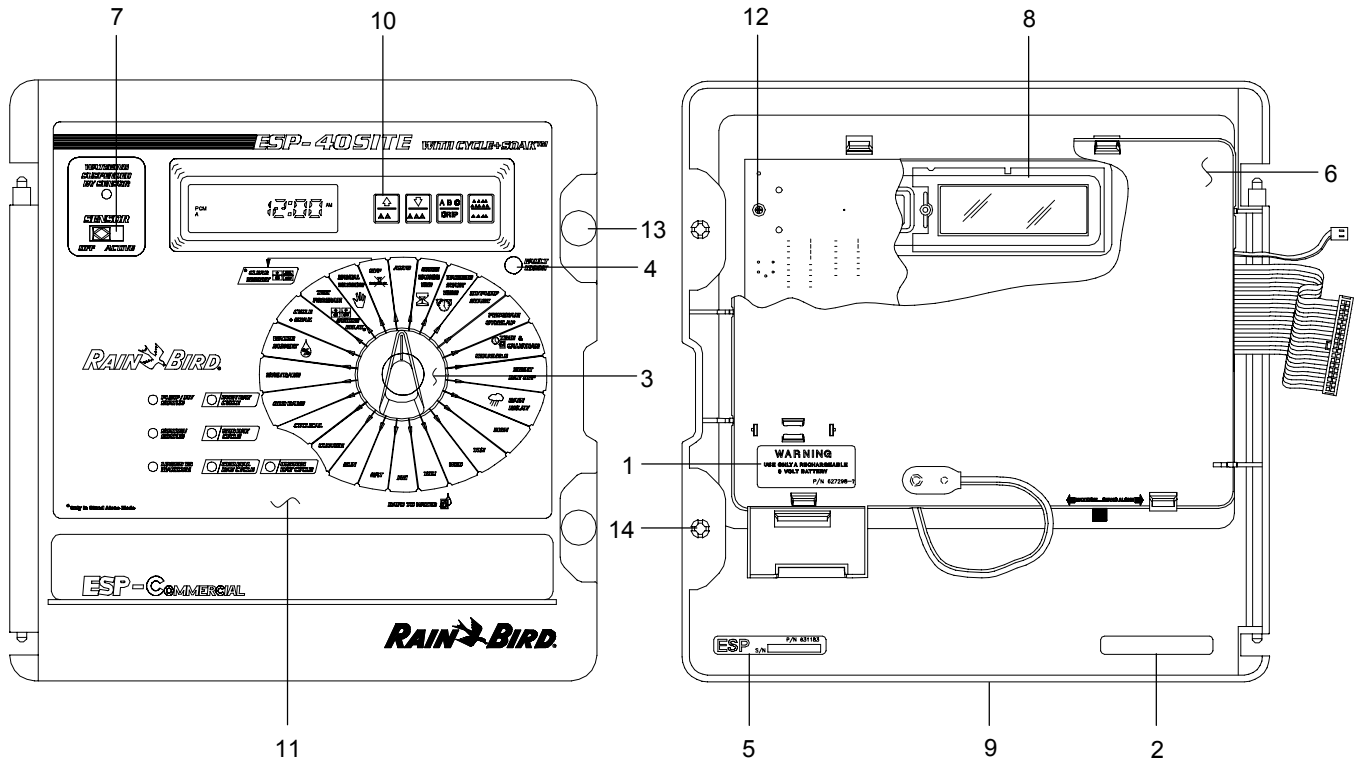


Ref.	Description	Qty.	12	16	24	32	40
<b>CABINET ASSEMBLY</b>			(633166-01)	(633166-01)	(633166-01)	(633166-01)	(633166-01)
1	Hinge Slip Joint M	2	(629227-01)	(629227-01)	(629227-01)	(629227-01)	(629227-01)
2	Strike Lock	1	(629234)	(629234)	(629234)	(629234)	(629234)
3	Spacer, Terminal Board	1	(631919)	(631919)	(631919)	(631919)	(631919)
4	Rail, Hinge	1	(631921)	(631921)	(631921)	(631921)	(631921)
5	Rail, Mounting Paragon	1	(631922)	(631922)	(631922)	(631922)	(631922)
6	Cabinet Draw Formed	1	(634126-03)	(634126-03)	(634126-03)	(634126-03)	(634126-03)
7	Washer, Flat #10 .032	4	(650023-13)	(650023-13)	(650023-13)	(650023-13)	(650023-13)
8	Nut, Pl, Hex, #8-32, Cres, Psvtd	2	(650033-04)	(650033-04)	(650033-04)	(650033-04)	(650033-04)
9	Rivet Semi Tubular Oval A	8	(650401)	(650401)	(650401)	(650401)	(650401)
10	Rivet, Blid 0.19	4	(650434-13)	(650434-13)	(650434-13)	(650434-13)	(650434-13)
11	Nut, #8-32 Hex W/Star Washer	2	(650634-04)	(650634-04)	(650634-04)	(650634-04)	(650634-04)
12	Bar Bus Grounding	1	(651440)	(651440)	(651440)	(651440)	(651440)

Note: Part Numbers enclosed in brackets ( ) are not available individually, but may be sold in assemblies or kits.

IESP12SAT2W/ IESP16SAT2W/ IESP24SAT2W/ IESP32SAT2W/ IESP40SAT2W  
 (TWO-WIRE COMMUNICATION, METAL WALL MOUNT, INTERNATIONAL, 2400 VOLT, 50 Hz)

FRONT PANEL ASSEMBLY

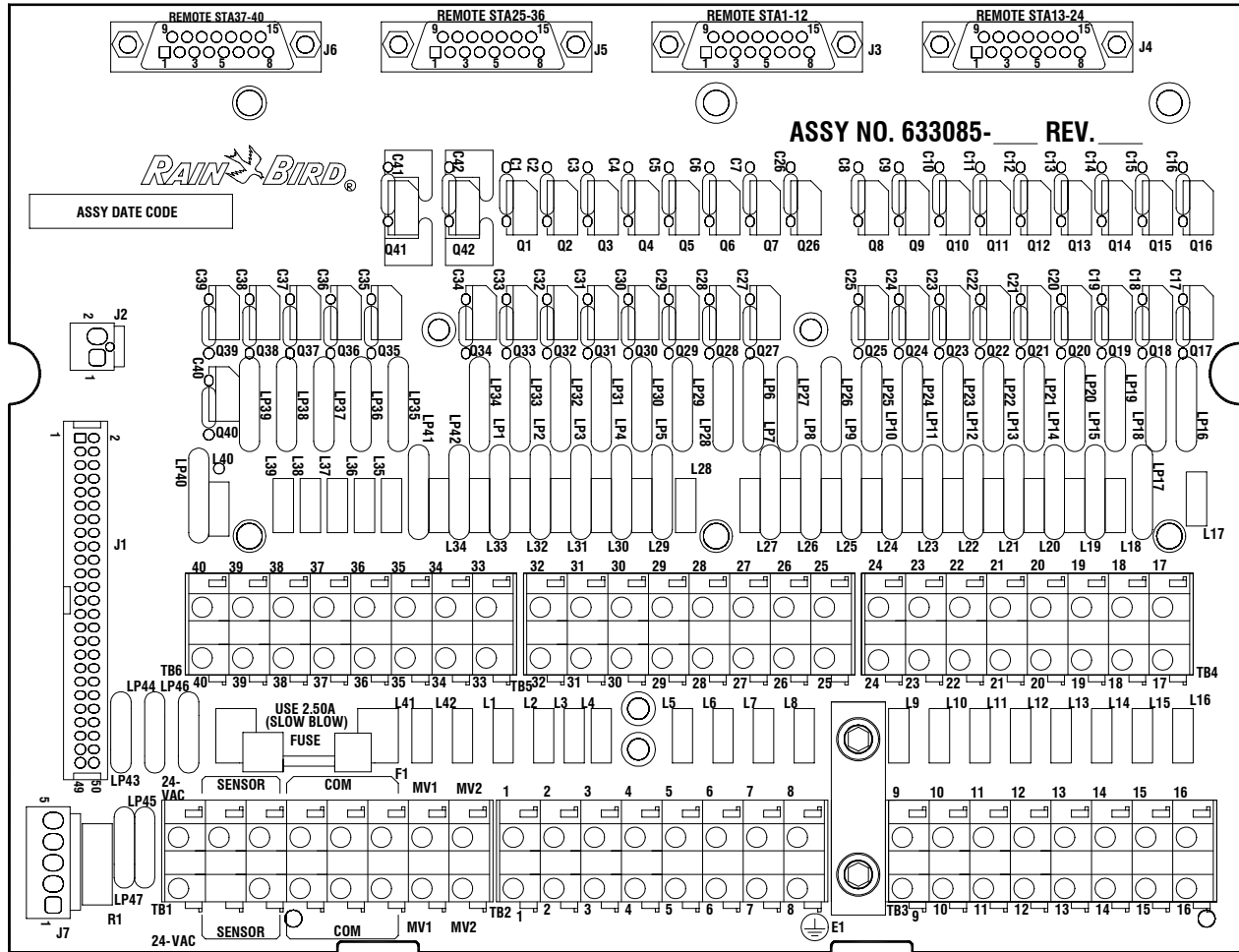


Ref.	Description	Qty.	12	16	24	32	40
<b>FRONT PANEL ASSEMBLY</b>			(633461-02)	(633461-03)	(633461-04)	(633461-05)	(633461-06)
1	Label Warning Cic 8/12	1	(627298)	(627298)	(627298)	(627298)	(627298)
2	Label Date Code	1	(627867)	(627867)	(627867)	(627867)	(627867)
3	Func Select Knob Assy, Gray	1	630946	630946	630946	630946	630946
-	Esp Func Select Knob, Gray	1	(630947)	(630947)	(630947)	(630947)	(630947)
-	Ring Compression	1	(650505-06)	(650505-06)	(650505-06)	(650505-06)	(650505-06)
4	Button, Tm Pb Switch	1	(631136)	(631136)	(631136)	(631136)	(631136)
5	Label, Serial	1	(631183)	(631183)	(631183)	(631183)	(631183)
6	Cover, Pwb	1	(631920)	(631920)	(631920)	(631920)	(631920)
7	Switch, Actuator- Paragon	1	(632510)	(632510)	(632510)	(632510)	(632510)
8	Lens, Lcd-Esp-C-Lx	1	632700	632700	632700	632700	632700
9	Fp/Shield Assy-Esp-C	1	(632906)	(632906)	(632906)	(632906)	(632906)
-	Front Panel Esp-Mc	1	(631918)	(631918)	(631918)	(631918)	(631918)
-	Shield, Front Panel-Esp-C	1	(632897)	(632897)	(632897)	(632897)	(632897)
10	Keypad, Silicone	1	(632908)	(632908)	(632908)	(632908)	(632908)
11	Overlay, Fr Panel	1	(633324-02)	(633324-03)	(633324-04)	(633324-05)	(633324-06)
12	Screw, 4-24 x 5/16 Hi-Lo W/Wshr	5	(650563-23)	(650563-23)	(650563-23)	(650563-23)	(650563-23)
13	Lock, Plunger	2	(650927-02)	(650927-02)	(650927-02)	(650927-02)	(650927-02)
14	Lock, Grommet	2	(650928-02)	(650928-02)	(650928-02)	(650928-02)	(650928-02)

Note: Part Numbers enclosed in brackets ( ) are not available individually, but may be sold in assemblies or kits.

IESP12SAT2W/ IESP16SAT2W/ IESP24SAT2W/ IESP32SAT2W/ IESP40SAT2W  
 (TWO-WIRE COMMUNICATION, METAL WALL MOUNT, INTERNATIONAL, 240 VOLT, 50 Hz)

PWB ASSY TERMINAL



Ref.	Description	Qty.	12	16	24	32	40
<b>PWB ASSY TERMINAL</b>			(633085-08)	(633085-09)	(633085-10)	(633085-11)	(633085-12)
LP45,47	Mov 56V,1000A	2	624624	624624	624624	624624	624624
LP46	Mov 56V,1000A	1	624624	624624	624624	624624	624624
-	Label, Bar Code 39	1	(631356-01)	(631356-01)	(631356-01)	(631356-01)	(631356-01)
-	Printed Wiring Board	1	(633086)	(633086)	(633086)	(633086)	(633086)
-	Solder	.001	(650160)	(650160)	(650160)	(650160)	(650160)
L1-8, L41,L42	Inductor, Ferrite Bead	10	650300-05	650300-05	650300-05	650300-05	650300-05
L9-12	Inductor, Ferrite Bead	4	650300-05	650300-05	650300-05	650300-05	650300-05
L13-16	Inductor, Ferrite Bead	4	-	650300-05	650300-05	650300-05	650300-05
L17-24	Inductor, Ferrite Bead	8	-	-	650300-05	650300-05	650300-05
L25-32	Inductor, Ferrite Bead	8	-	-	-	650300-05	650300-05

Note: Part Numbers enclosed in brackets ( ) are not available individually, but may be sold in assemblies or kits.

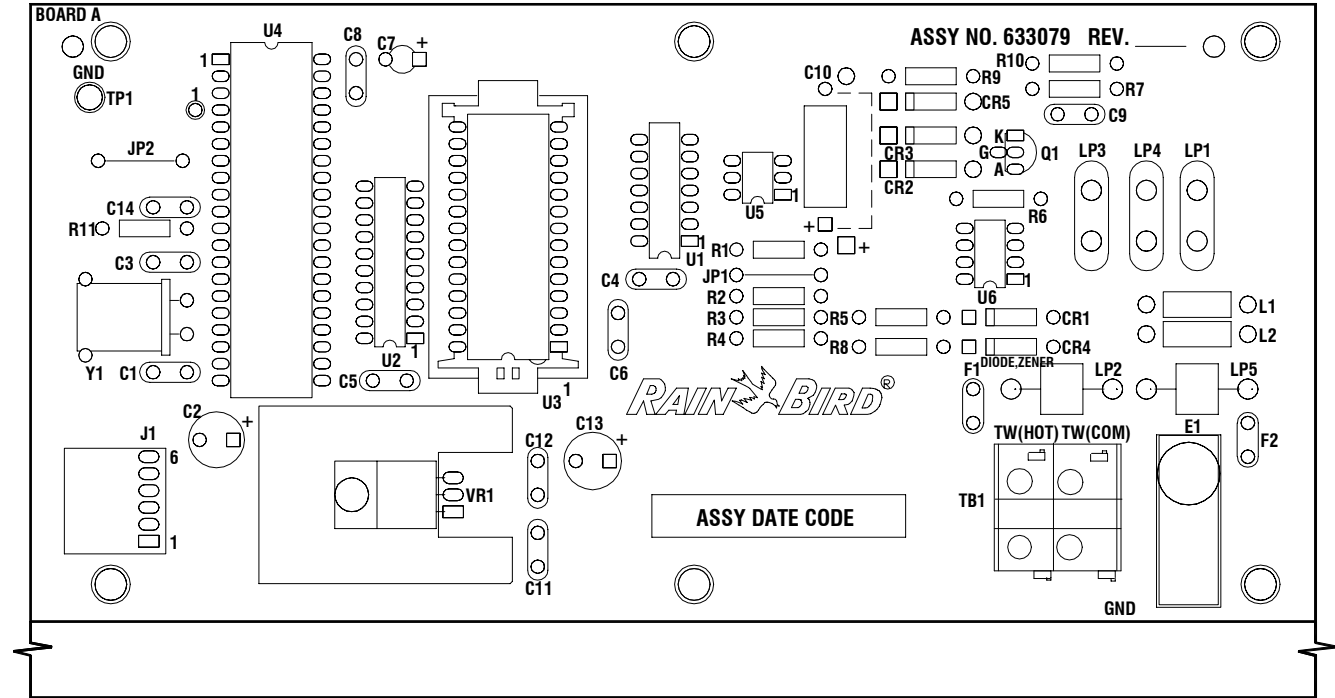
IESP12SAT2W/ IESP16SAT2W/ IESP24SAT2W/ IESP32SAT2W/ IESP40SAT2W  
(TWO-WIRE COMMUNICATION, METAL WALL MOUNT, INTERNATIONAL, 240 VOLT, 50 Hz)

Ref.	Description	Qty.	12	16	24	32	40
<b>PWB ASSY TERMINAL, CONT.</b>							
L33-40	Inductor, Ferrite Bead	8	-	-	-	-	650300-05
-	Mini Fuse Clips .197 Dia	2	(650308)	(650308)	(650308)	(650308)	(650308)
J3	Connector, DB15S 15Pins	1	(650610-06)	(650610-06)	(650610-06)	(650610-06)	(650610-06)
J4	Connector, DB15S 15Pins	1	-	(650610-06)	(650610-06)	(650610-06)	(650610-06)
J5	Connector, DB15S 15Pins	1	-	-	-	(650610-06)	(650610-06)
J6	Connector, DB15S 15Pins	1	-	-	-	-	(650610-06)
J3	Jack Socket Kit	1	(650620)	(650620)	(650620)	(650620)	(650620)
J4	Jack Socket Kit	1	-	(650620)	(650620)	(650620)	(650620)
J5	Jack Socket Kit	1	-	-	-	(650620)	(650620)
J6	Jack Socket Kit	1	-	-	-	-	(650620)
R1	Resistor, 2%, 2W, .1Ohm	1	(650766-01)	(650766-01)	(650766-01)	(650766-01)	(650766-01)
LP1-8	Mov 20MM 47V, 2000A	10	650796	650796	650796	650796	650796
LP41,42	Mov 20MM 47V, 2000A	4	650796	650796	650796	650796	650796
LP9-12	Mov 20MM 47V, 2000A	4	650796	650796	650796	650796	650796
LP13-16	Mov 20MM 47V, 2000A	4	-	650796	650796	650796	650796
LP17-24	Mov 20MM 47V, 2000A	8	-	-	650796	650796	650796
LP25-32	Mov 20MM 47V, 2000A	8	-	-	-	650796	650796
LP33-40	Mov 20MM 47V, 2000A	8	-	-	-	-	650796
J1	Header, Polzd., .100Ctrs. 50Pins.	1	(650872-50)	(650872-50)	(650872-50)	(650872-50)	(650872-50)
LP44	Mov 47V, 1000A	1	650875	650875	650875	650875	650875
C1-8	Capacitor Ceramic Axial .01uF, 100V	10	(650882-01)	(650882-01)	(650882-01)	(650882-01)	(650882-01)
C41,42	Capacitor Ceramic Axial .01uF, 100V	4	(650882-01)	(650882-01)	(650882-01)	(650882-01)	(650882-01)
C9-12	Capacitor Ceramic Axial .01uF, 100V	4	-	(650882-01)	(650882-01)	(650882-01)	(650882-01)
C13-16	Capacitor Ceramic Axial .01uF, 100V	4	-	(650882-01)	(650882-01)	(650882-01)	(650882-01)
C17-24	Capacitor Ceramic Axial .01uF, 100V	8	-	-	(650882-01)	(650882-01)	(650882-01)
C25-32	Capacitor Ceramic Axial .01uF, 100V	8	-	-	-	(650882-01)	(650882-01)
C33-40	Capacitor Ceramic Axial .01uF, 100V	8	-	-	-	-	(650882-01)
-	Mini Fuse .197Dia 2.5 Amp	1	650966-14	650966-14	650966-14	650966-14	650966-14
TB1,2	Terminal Block .300spc 1Pos	16	(651000-01)	(651000-01)	(651000-01)	(651000-01)	(651000-01)
TB3	Terminal Block .300spc 1Pos	8	(651000-01)	(651000-01)	(651000-01)	(651000-01)	(651000-01)
TB4	Terminal Block .300spc 1Pos	8	-	-	(651000-01)	(651000-01)	(651000-01)
TB5	Terminal Block .300spc 1Pos	8	-	-	-	(651000-01)	(651000-01)
TB6	Terminal Block .300spc 1Pos	8	-	-	-	-	(651000-01)
Q1-8	Triac, 6Amps	10	651138	651138	651138	651138	651138
Q41,42	Triac, 6Amps	4	651138	651138	651138	651138	651138
Q9-12	Triac, 6Amps	4	-	651138	651138	651138	651138
Q13-16	Triac, 6Amps	4	-	-	651138	651138	651138
Q17-24	Triac, 6Amps	8	-	-	651138	651138	651138
Q25-32	Triac, 6Amps	8	-	-	-	651138	651138
Q33-40	Triac, 6Amps	8	-	-	-	-	651138
LP43	Mov 50V, 2500A	1	(651272)	(651272)	(651272)	(651272)	(651272)

Note: Part Numbers enclosed in brackets ( ) are not available individually, but may be sold in assemblies or kits.

IESP12SAT2W/ IESP16SAT2W/ IESP24SAT2W/ IESP32SAT2W/ IESP40SAT2W  
 (TWO-WIRE COMMUNICATION, METAL WALL MOUNT, INTERNATIONAL, 240 VOLT, 50 Hz)

PWB ASSY ESP-MC TWO WIRE



Ref.	Description	Qty.	12	16	24	32	40
<b>PWB ASSY ESP-MC TWO WIRE</b>							
LP2,5	Spark Gap	2	(633079-01)	(633079-01)	(633079-01)	(633079-01)	(633079-01)
-	Label, Bar Code 39	1	(624625)	(624625)	(624625)	(624625)	(624625)
-	Printed Wiring Board	1	(631356-01)	(631356-01)	(631356-01)	(631356-01)	(631356-01)
-	Printed Wiring Board	1	(633080)	(633080)	(633080)	(633080)	(633080)
U3	Prom Carrier Assy	1	(650012-15)	(650012-15)	(650012-15)	(650012-15)	(650012-15)
C1,3	Capacitor, Ceramic Disc 30pF,50V	2	(650013-45)	(650013-45)	(650013-45)	(650013-45)	(650013-45)
C4-6, C8,11, C12,14	Capacitor, Ceramic Disc 0.1uF,50V	7	650016	650016	650016	650016	650016
LP1,3,4	Mov 68V,500A	3	650038-12	650038-12	650038-12	650038-12	650038-12
CR1,4	Diode,Zener,500mW,8.2V	2	(650040-57)	(650040-57)	(650040-57)	(650040-57)	(650040-57)
C9	Capacitor,Ceramic Disc .001uF,100V	1	(650046-13)	(650046-13)	(650046-13)	(650046-13)	(650046-13)
C10	Capacitor,Electrl Axial 47uF,50V	1	650070-01	650070-01	650070-01	650070-01	650070-01
U5	IC,Opto—Isolator,Triac MOC3011	1	650077-02	650077-02	650077-02	650077-02	650077-02
CR2,3	Diode,Gen Purpose,1Amp	2	650079-59	650079-59	650079-59	650079-59	650079-59
CR5	Diode,Gen Purpose,1Amp	1					
R1	Resistor,Carbon Film,1/4W 270Ohms	1					

Note: Part Numbers enclosed in brackets ( ) are not available individually, but may be sold in assemblies or kits.



IESP12SAT2W/ IESP16SAT2W/ IESP24SAT2W/ IESP32SAT2W/ IESP40SAT2W  
(TWO-WIRE COMMUNICATION, METAL WALL MOUNT, INTERNATIONAL, 240 VOLT, 50 Hz)

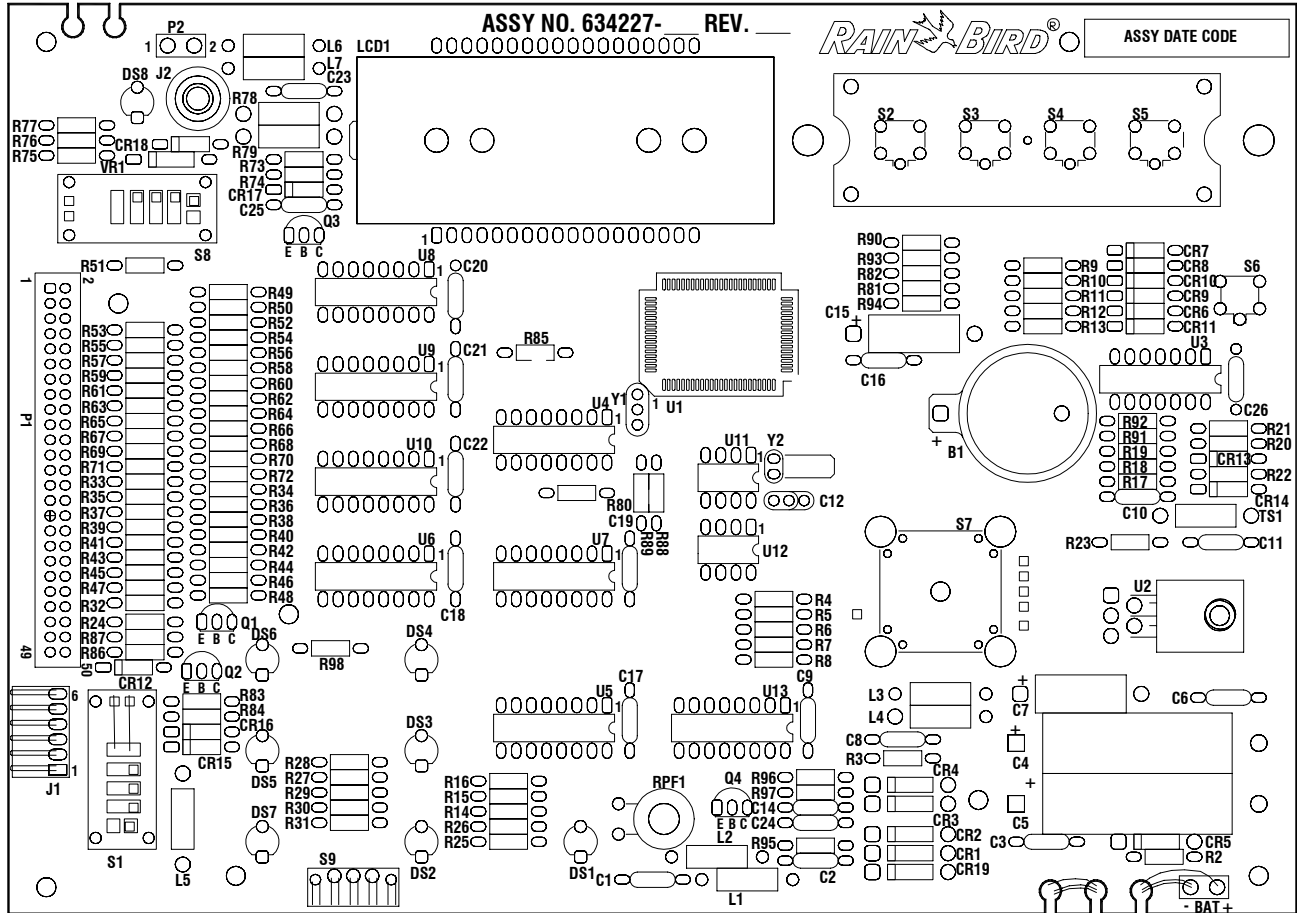
Ref.	Description	Qty.	12	16	24	32	40
<b>PWB ASSY ESP-MC TWO WIRE, CONT.</b>							
R7,10	Resistor,Carbon Fil,1/4W 1K	2	(650079-73)	(650079-73)	(650079-73)	(650079-73)	(650079-73)
R6	Resistor,carbon Film 1/4W 1.3K	1	(650079-76)	(650079-76)	(650079-76)	(650079-76)	(650079-76)
R9,11	Resistor,Carbon Film,1/4 4.7K	2	650079-89	650079-89	650079-89	650079-89	650079-89
R2,3							
R5,8	Resistor,Carbon Film,1/4W 47K	4	(650080-14)	(650080-14)	(650080-14)	(650080-14)	(650080-14)
R4	Resistor,Carbon Film, 1/4W 100K	1	(650080-22)	(650080-22)	(650080-22)	(650080-22)	(650080-22)
VR1	Heatsink, Grease	.01	(650101)	(650101)	(650101)	(650101)	(650101)
VR1	Rivet,Blind,Domehead .125Dia	1	(650139-05)	(650139-05)	(650139-05)	(650139-05)	(650139-05)
-	Solder	.01	(650160)	(650160)	(650160)	(650160)	(650160)
L1,2	Inductor,Ferrite Bead	2	650300-05	650300-05	650300-05	650300-05	650300-05
VR1	Regulator, +5V	1	650332	650332	650332	650332	650332
VR1	Regulator,Heatsink, to 220	1	(650335)	(650335)	(650335)	(650335)	(650335)
TP1	Test Point, PC Mount	1	(650336-01)	(650336-01)	(650336-01)	(650336-01)	(650336-01)
Q1	SCR	1	650375	650375	650375	650375	650375
U6	Ic,Opto-Coupler, Dual, High Gain	1	650445	650445	650445	650445	650445
U3	Socket, Prom Carrier	1	650518-02	650518-02	650518-02	650518-02	650518-02
U1	Ic,Hex Schmitt Inverter	1	650540	650540	650540	650540	650540
C7	Capacitor,Tantalum,Radial 2.2uF25V	1	650583-03	650583-03	650583-03	650583-03	650583-03
C2,13	Capacitor,Tantalum,Radial 22uF25V	2	650583-09	650583-09	650583-09	650583-09	650583-09
U2	Ic, Octal D-Type Latch	1	650611	650611	650611	650611	650611
JP2	Wire,22Awg,Auto-Inserted .500Lead	1	(650625-03)	(650625-03)	(650625-03)	(650625-03)	(650625-03)
Y1	Wire,22Awg,Auto-Inserted .500Lead	.55	(650625-03)	(650625-03)	(650625-03)	(650625-03)	(650625-03)
Y1	Crystal,Quartz 11.059MHz	1	650721	650721	650721	650721	650721
TB1	Phnx. Terminal Block .300Ctrs. 1 Pos	2	(651000-01)	(651000-01)	(651000-01)	(651000-01)	(651000-01)
J1	Header,Right,Angle .100Ctrs 6 Pins	1	(651005-06)	(651005-06)	(651005-06)	(651005-06)	(651005-06)
U4	Ic, Microprocessor	1	651031	651031	651031	651031	651031
F1,2	Polyswitch, Rxe Series	2	(651055-08)	(651055-08)	(651055-08)	(651055-08)	(651055-08)

Note: Part Numbers enclosed in brackets ( ) are not available individually, but may be sold in assemblies or kits.



IESP12SAT2W/ IESP16SAT2W/ IESP24SAT2W/ IESP32SAT2W/ IESP40SAT2W  
 (TWO-WIRE COMMUNICATION, METAL WALL MOUNT, INTERNATIONAL, 240 VOLT, 50 Hz)

PWB ASSY ESP-MC ESC-1 CONTROLLER



Ref.	Description	Qty.	12	16	24	32	40
<b>PWB ASSY ESP-MC ESC-1 CONTROLLER</b>			(634227-02)	(634227-03)	(634227-04)	(634227-05)	(634227-06)
S7	Switch Rotary	1	(630609)	(630609)	(630609)	(630609)	(630609)
S8	Switch, Slide	1	(630651)	(630651)	(630651)	(630651)	(630651)
-	Label, Bar Code 39	1	(631356-01)	(631356-01)	(631356-01)	(631356-01)	(631356-01)
LCD1	Spacer, LCD	1	(632046)	(632046)	(632046)	(632046)	(632046)
P2	Sensor Cable	1	(632048-01)	(632048-01)	(632048-01)	(632048-01)	(632048-01)
J2	Spring, Shield .70 Long	1	(632898-01)	(632898-01)	(632898-01)	(632898-01)	(632898-01)
LCD1	Liquid, Crystal Display	1	(633087)	(633087)	(633087)	(633087)	(633087)
U1	Microcomp., Toshiba, OTP	1	(633088)	(633088)	(633088)	(633088)	(633088)
P1	Ribbon Cable Assy 50Ckts	1	(633090)	(633090)	(633090)	(633090)	(633090)
-	Printed Wiring Board	1	(634228)	(634228)	(634228)	(634228)	(634228)
C12	Capacitor, ceramic radial 6pF, 50V	1	(650012-04)	(650012-04)	(650012-04)	(650012-04)	(650012-04)
U2	Washer, Flat, carbon Steel	1	(650023-03)	(650023-03)	(650023-03)	(650023-03)	(650023-03)

Note: Part Numbers enclosed in brackets ( ) are not available individually, but may be sold in assemblies or kits.

IESP12SAT2W/ IESP16SAT2W/ IESP24SAT2W/ IESP32SAT2W/ IESP40SAT2W  
(TWO-WIRE COMMUNICATION, METAL WALL MOUNT, INTERNATIONAL, 240 VOLT, 50 Hz)

Ref.	Description	Qty.	12	16	24	32	40
<b>PWB ASSY ESP-MC ESC-1 CONTROLLER, CONT.</b>							
CR6	Diode, Switching	1	650037-01	650037-01	650037-01	650037-01	650037-01
CR7	Diode, Switching	1	650037-01	-	650037-01	-	650037-01
CR8	Diode, Switching	1	-	650037-01	650037-01	-	-
CR9	Diode, Switching	1	-	-	-	650037-01	650037-01
CR11-18	Diode, Switching	8	650037-01	650037-01	650037-01	650037-01	650037-01
VR1	Diode, Zener, 500mW, 5.6V	1	(650038-71)	(650038-71)	(650038-71)	(650038-71)	(650038-71)
C7, 15	Capacitor, Electrolytic, Axial 47uF, 10V	2	(650044-03)	(650044-03)	(650044-03)	(650044-03)	(650044-03)
BAT	Battery Snap 9V	1	650075	650075	650075	650075	650075
CR1-5 C19	Diode, Gen Purpose, 1Amp	6	650077-02	650077-02	650077-02	650077-02	650077-02
R23, 85 R98	Resistor, Carbon Film, 1/4W, 10Ohms	2	(650079-25)	(650079-25)	(650079-25)	(650079-25)	(650079-25)
R49-56 R24, 32,	Resistor, Carbon Film 1/4W, 150Ohms	11	(650079-53)	(650079-53)	(650079-53)	(650079-53)	(650079-53)
R57-60	Resistor, Carbon Film 1/4W, 150Ohms	4	(650079-53)	(650079-53)	(650079-53)	(650079-53)	(650079-53)
R61-64	Resistor, Carbon Film 1/4W, 150Ohms	4	-	(650079-53)	(650079-53)	(650079-53)	(650079-53)
R65-72	Resistor, Carbon Film 1/4W, 150Ohms	8	-	-	(650079-53)	(650079-53)	(650079-53)
R33-40	Resistor, Carbon Film 1/4W, 150Ohms	8	-	-	-	(650079-53)	(650079-53)
R41-48	Resistor, Carbon Film 1/4W, 150Ohms	8	-	-	-	-	(650079-53)
R25-31	Resistor, Carbon Film 1/4W 470Ohms	7	(650079-65)	(650079-65)	(650079-65)	(650079-65)	(650079-65)
R17, 95	Resistor, Carbon Film, 1/4W, 1KOhm	2	(650079-73)	(650079-73)	(650079-73)	(650079-73)	(650079-73)
R76	Resistor, Carbon Film, 1/4W, 2KOhms	1	(650079-80)	(650079-80)	(650079-80)	(650079-80)	(650079-80)
R2	Resistor, Carbon Film, 1/4W 3.3KOhms	1	(650079-85)	(650079-85)	(650079-85)	(650079-85)	(650079-85)
R88-90 R84, 87 R20-22	Resistor, Carbon Film, 1/4W, 4.7KOhms	8	650079-89	650079-89	650079-89	650079-89	650079-89
R92	Resistor, Carbon Film, 1/4W, 8.2KOhms	1	(650079-95)	(650079-95)	(650079-95)	(650079-95)	(650079-95)
R19, 91	Resistor, Carbon Film, 1/4W, 10Kohms	2	(650079-97)	(650079-97)	(650079-97)	(650079-97)	(650079-97)
R83, 86 R18, 80	Resistor, Carbon Film, 1/4W, 47KOhms	4	(650080-14)	(650080-14)	(650080-14)	(650080-14)	(650080-14)
R94 R82, 93, R43, 81 R4-16	Resistor, Carbon Film, 1/4W 100Kohms	18	(650080-22)	(650080-22)	(650080-22)	(650080-22)	(650080-22)
R96, 97 R74, 75 R3	Resistor, Carbon Film, 1/4W, 220KOhms	5	(650080-30)	(650080-30)	(650080-30)	(650080-30)	(650080-30)
C20, 24 C16, 17 C10, 14 C3, 8, 9	Capacitor, Ceramic Axial .1uF, 50V	9	(650085-55)	(650085-55)	(650085-55)	(650085-55)	(650085-55)

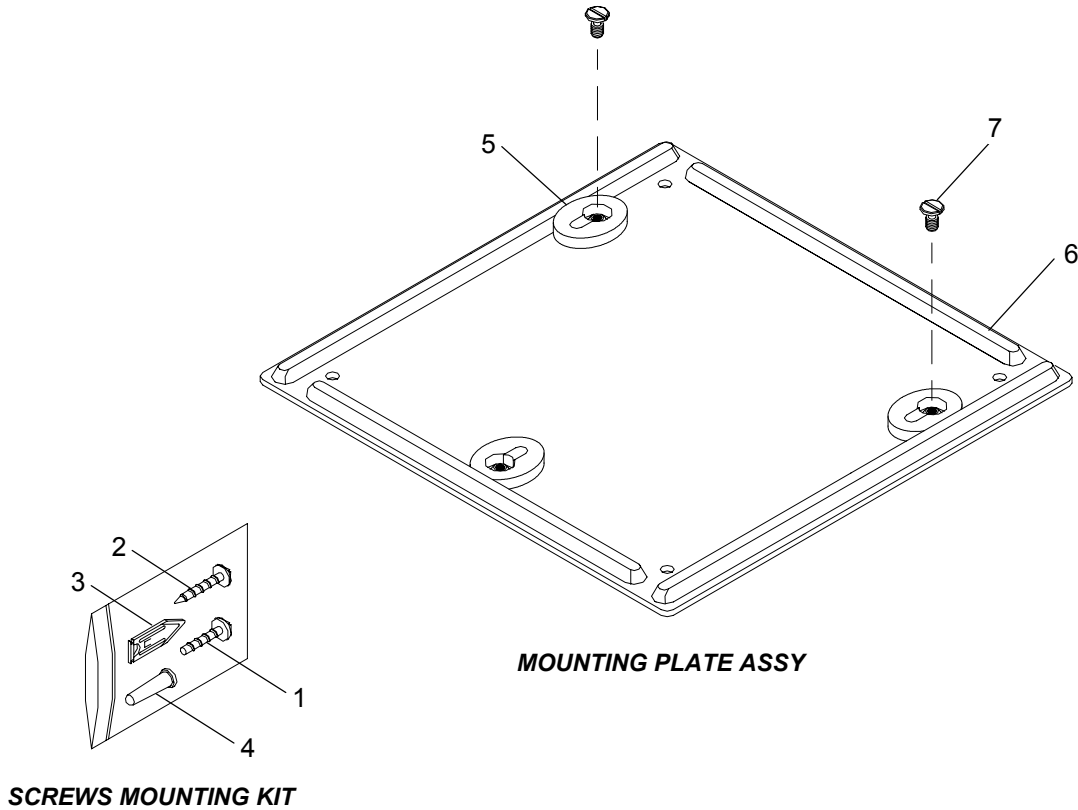
Note: Part Numbers enclosed in brackets ( ) are not available individually, but may be sold in assemblies or kits.

IESP12SAT2W/ IESP16SAT2W/ IESP24SAT2W/ IESP32SAT2W/ IESP40SAT2W  
(TWO-WIRE COMMUNICATION, METAL WALL MOUNT, INTERNATIONAL, 240 VOLT, 50 Hz)

Ref.	Description	Qty.	12	16	24	32	40
<b>PWB ASSY ESP-MC ESC-1 CONTROLLER, CONT.</b>							
C21	Capacitor, Ceramic Axial .1uF, 50V	1	(650085-55)	(650085-55)	(650085-55)	(650085-55)	(650085-55)
C22	Capacitor, Ceramic Axial .1uF, 50V	1	-	-	(650085-55)	(650085-55)	(650085-55)
C18	Capacitor, Ceramic Axial .1uF, 50V	1	-	-	-	(650085-55)	(650085-55)
C19	Capacitor, Ceramic Axial .1uF, 50V	1	-	-	-	-	(650085-55)
U2	Rivet, Blind Dome HD. .125Dia	1	(650139-05)	(650139-05)	(650139-05)	(650139-05)	(650139-05)
R78,79	Resistor, Carbon Film, 1/2W, 1KOhms	2	(650202-73)	(650202-73)	(650202-73)	(650202-73)	(650202-73)
L1-7	Inductor, Ferrite Bead	7	650300-05	650300-05	650300-05	650300-05	650300-05
U3	IC Quad OP Amp	1	650358	650358	650358	650358	650358
Q3,4	Transistor, NPN, 624mW	2	650367	650367	650367	650367	650367
Q1,2	Transistor, PNP	2	650369	650369	650369	650369	650369
Y2	Crystal, Quartz 32.768KHz	1	(650484)	(650484)	(650484)	(650484)	(650484)
TS1	Transient Suppressor 6.8V	1	(650595-01)	(650595-01)	(650595-01)	(650595-01)	(650595-01)
C5	Capacitor, Electrolytic, Axial 330uF, 25V	1	(650624)	(650624)	(650624)	(650624)	(650624)
U4	3-8 Line Decoder	1	650699	650699	650699	650699	650699
S2,3,4 S5,6	Switch, Pushbutton	5	(650748)	(650748)	(650748)	(650748)	(650748)
C23,25 C1,2,11	Capacitor, ceramic Axial .01uF, 100V	5	(650882-01)	(650882-01)	(650882-01)	(650882-01)	(650882-01)
C6	Capacitor, NPO, Axial 10pF, 100V	1	(650883-13)	(650883-13)	(650883-13)	(650883-13)	(650883-13)
C26	Capacitor, NPO, Axial 220pF, 100V	1	(650883-17)	(650883-17)	(650883-17)	(650883-17)	(650883-17)
U5,8	8Bit Addressable Latch	2	650889	650889	650889	650889	650889
U9	8Bit Addressable Latch	1	650889	650889	650889	650889	650889
U10	8Bit Addressable Latch	1	-	-	650889	650889	650889
U6	8Bit Addressable Latch	1	-	-	-	650889	650889
U7	8Bit Addressable Latch	1	-	-	-	-	650889
DS1-8	Led, red, .200Ctrs.	8	650910	650910	650910	650910	650910
U2	Regulator, Low Dropout	1	(650962)	(650962)	(650962)	(650962)	(650962)
J2	Eyelet, Spring	1	(650985)	(650985)	(650985)	(650985)	(650985)
J1	Header, Polzd. Radial, .100Ctrs 6Pins	1	(651005-06)	(651005-06)	(651005-06)	(651005-06)	(651005-06)
B1	Battery, Lithium	1	(651009)	(651009)	(651009)	(651009)	(651009)
B1	Holder, Battery Coin	1	(651010)	(651010)	(651010)	(651010)	(651010)
U11	IC, Real Time Clock	1	(651011)	(651011)	(651011)	(651011)	(651011)
U12	IC, EEPROM-4K Byte, Serial	1	(651012)	(651012)	(651012)	(651012)	(651012)
Y1	Resonator, ceramic 8.00MHz	1	(651013)	(651013)	(651013)	(651013)	(651013)
U13	IC, 8Bit Input Mux	1	(651014)	(651014)	(651014)	(651014)	(651014)
C4	Capacitor, Electrolytic, Axial 1000uF, 25V	1	(651054-12)	(651054-12)	(651054-12)	(651054-12)	(651054-12)
RPF1	Polyswitch, RXE, 60V, .65A	1	(651055-08)	(651055-08)	(651055-08)	(651055-08)	(651055-08)
S9	Switch Slide	1	(651292)	(651292)	(651292)	(651292)	(651292)

Note: Part Numbers enclosed in brackets ( ) are not available individually, but may be sold in assemblies or kits.

IESP12SAT2W/ IESP16SAT2W/ IESP24SAT2W/ IESP32SAT2W/ IESP40SAT2W  
 (TWO-WIRE COMMUNICATION, METAL WALL MOUNT, INTERNATIONAL, 240 VOLT, 50 Hz)

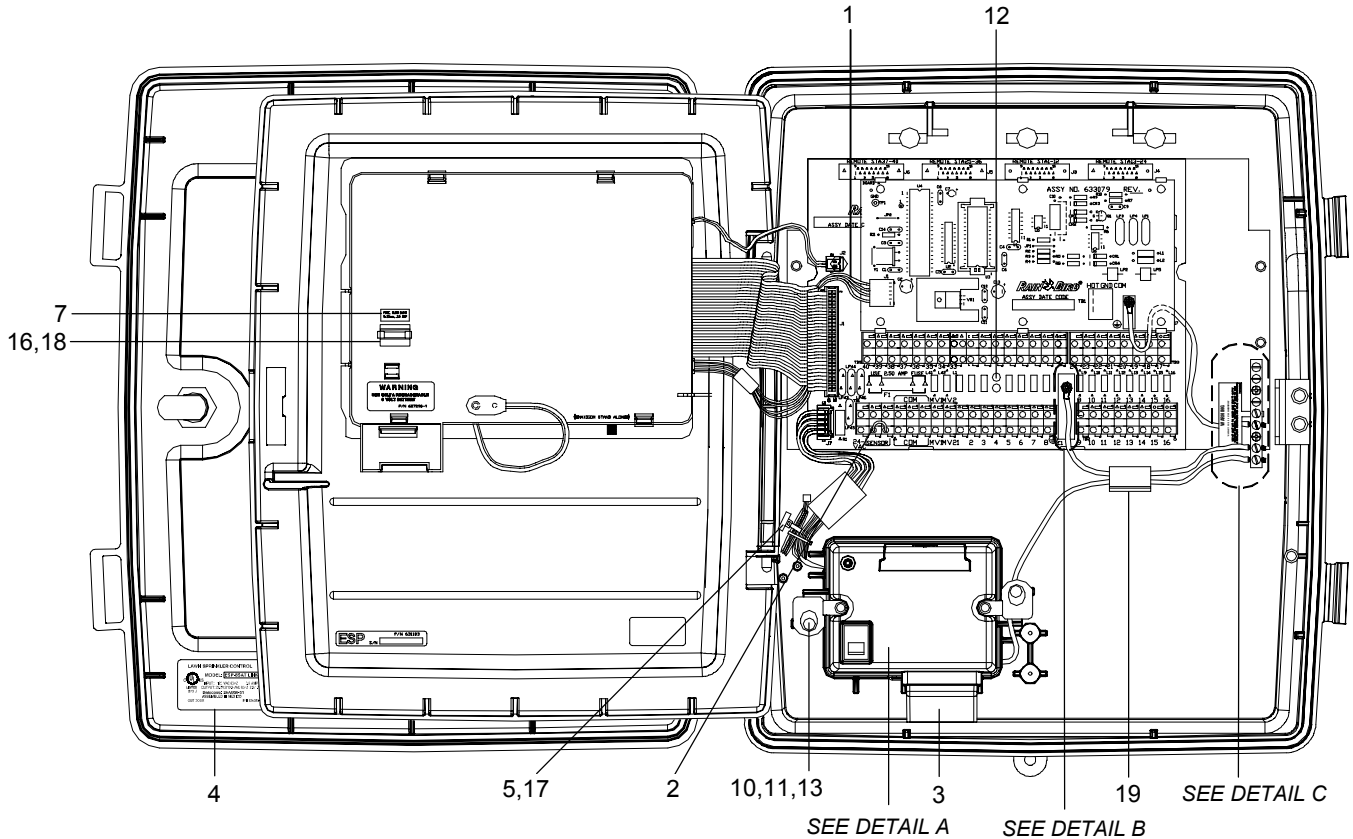


Ref.	Description	Qty.	12	16	24	32	40
<b>ACCESSORIES</b>							
-	Screws, Mounting, Kit	1	(633182)	(633182)	(633182)	(633182)	(633182)
1	Screw, Pan Hd, #10 x 1/4"	2	(650754-55)	(650754-55)	(650754-55)	(650754-55)	(650754-55)
-	Bag, Zip Lock, Plastic, 3X4	1	(650924-03)	(650924-03)	(650924-03)	(650924-03)	(650924-03)
2	Screw, Trhd Phil, Type A, 1 1/4	4	(651021-16)	(651021-16)	(651021-16)	(651021-16)	(651021-16)
3	Anchor, Wall, Hammer Drive	4	(651022)	(651022)	(651022)	(651022)	(651022)
4	Plastic Anchor 10-12 x1"	4	(651393-03)	(651393-03)	(651393-03)	(651393-03)	(651393-03)
-	Instructions, Instl & Oper	1	633686	633686	633686	633686	633686
-	Giude, Operations Addendum	1	(633942)	(633942)	(633942)	(633942)	(633942)
-	Poster, Installation Instructions	1	634529	634529	634529	634529	634529
-	Mounting Plate Assy, WM Cabinet	1	(635005-02)	(635005-02)	(635005-02)	(635005-02)	(635005-02)
5	Washer, Epdm, Flat	3	(633274)	(633274)	(633274)	(633274)	(633274)
-	Mount Bracket Assy	1	(634594-02)	(634594-02)	(634594-02)	(634594-02)	(634594-02)
6	Mount Bracket	1	(634484)	(634484)	(634484)	(634484)	(634484)
7	Stand-Off Screw S.S.	2	(634538-02)	(634538-02)	(634538-02)	(634538-02)	(634538-02)
-	Cable Tie, Nylon 7/8 Bundle	1	650131	650131	650131	650131	650131
-	Bag, Zip Lock, Plastic, 2.5x3	1	(650924-01)	(650924-01)	(650924-01)	(650924-01)	(650924-01)
-	Battery, Nicad 7.2V	1	650929	650929	650929	650929	650929

Note: Part Numbers enclosed in brackets ( ) are not available individually, but may be sold in assemblies or kits.

IESP12SAT2P/ IESP16SAT2P/ IESP24SAT2P/ IESP32SAT2P/ IESP40SAT2P  
 (PLASTIC WALL MOUNT, INTERNATIONAL, 240 VOLT, 50 Hz)

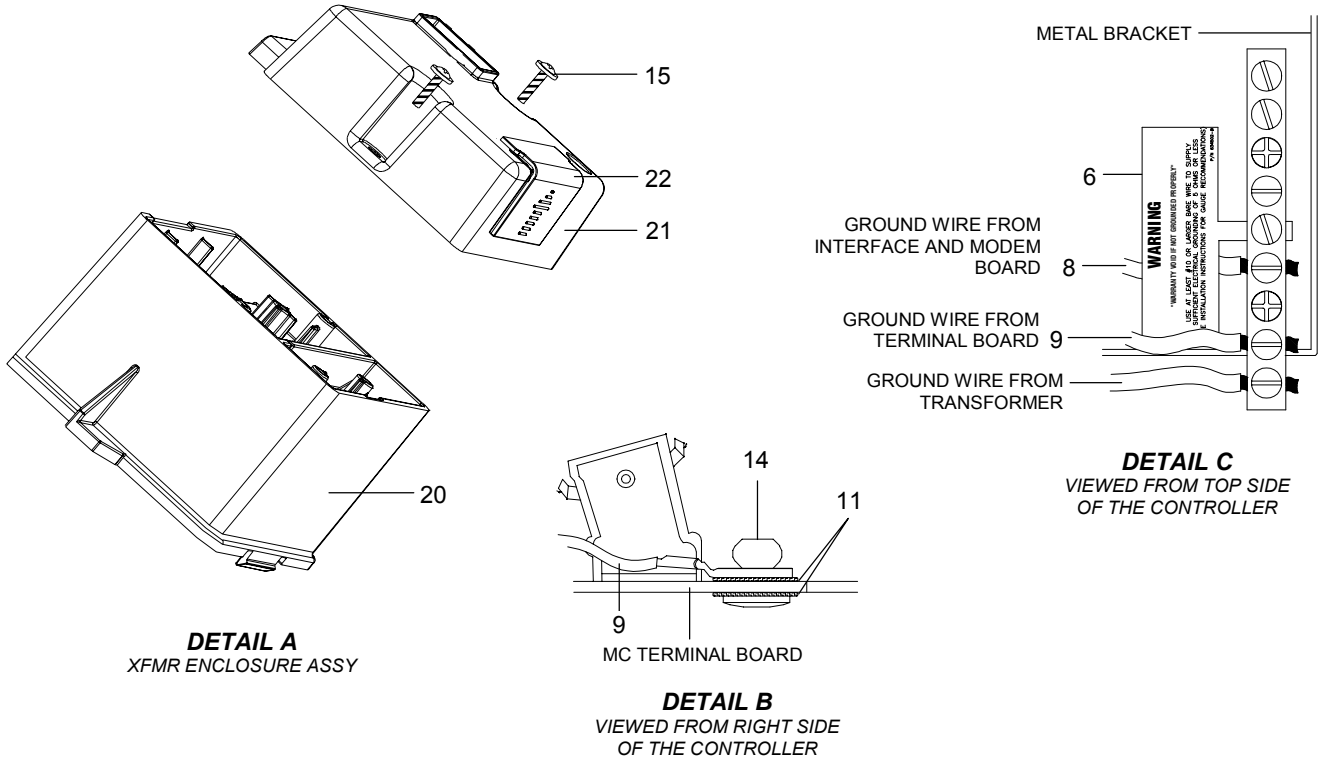
CONTROLLER ASSEMBLY



Ref.	Description	Qty.	12	16	24	32	40
<b>CONTROLLER ASSEMBLY</b>			(635064-08)	(635064-09)	(635064-10)	(635064-11)	(635064-12)
-	Card, Customer Registrations-Tm	1	(632354)	(632354)	(632354)	(632354)	(632354)
1	Cable Assy, 2Wire/Link Intc-Mc	1	(633132)	(633132)	(633132)	(633132)	(633132)
2	Sensor Jumper Wire	1	(633442)	(633442)	(633442)	(633442)	(633442)
-	Label, Caution	1	(633657)	(633657)	(633657)	(633657)	(633657)
3	Cover, Ac Mains	1	(633821)	(633821)	(633821)	(633821)	(633821)
-	Hinge, Piano Wire	1	(633826)	(633826)	(633826)	(633826)	(633826)
4	Label, Rating	1	(634385-22)	(634385-22)	(634385-22)	(634385-22)	(634385-22)
5	Power Mib Link Label Mcp	1	(634391)	(634391)	(634391)	(634391)	(634391)
6	Label Warning Grounding	1	(634502)	(634502)	(634502)	(634502)	(634502)
-	Label, Warning Corrosion Inhib	1	(634558)	(634558)	(634558)	(634558)	(634558)
7	Label, Fuse 2.5 Amp	1	(634615)	(634615)	(634615)	(634615)	(634615)
8	Ground Wire Assy 12 Awg (8)	1	(634943-08)	(634943-08)	(634943-08)	(634943-08)	(634943-08)
9	Ground Wire Assy 12 Awg (11)	1	(634943-11)	(634943-11)	(634943-11)	(634943-11)	(634943-11)
10	Bracket, Xfmr Enclosure	2	(635112)	(635112)	(635112)	(635112)	(635112)
-	Cable Tie, Nylon 7/8 Bundle	1	650131	650131	650131	650131	650131

Note: Part Numbers enclosed in brackets ( ) are not available individually, but may be sold in assemblies or kits.

IESP12SAT2P/ IESP16SAT2P/ IESP24SAT2P/ IESP32SAT2P/ IESP40SAT2P  
 (PLASTIC WALL MOUNT, INTERNATIONAL, 240 VOLT, 50 Hz)

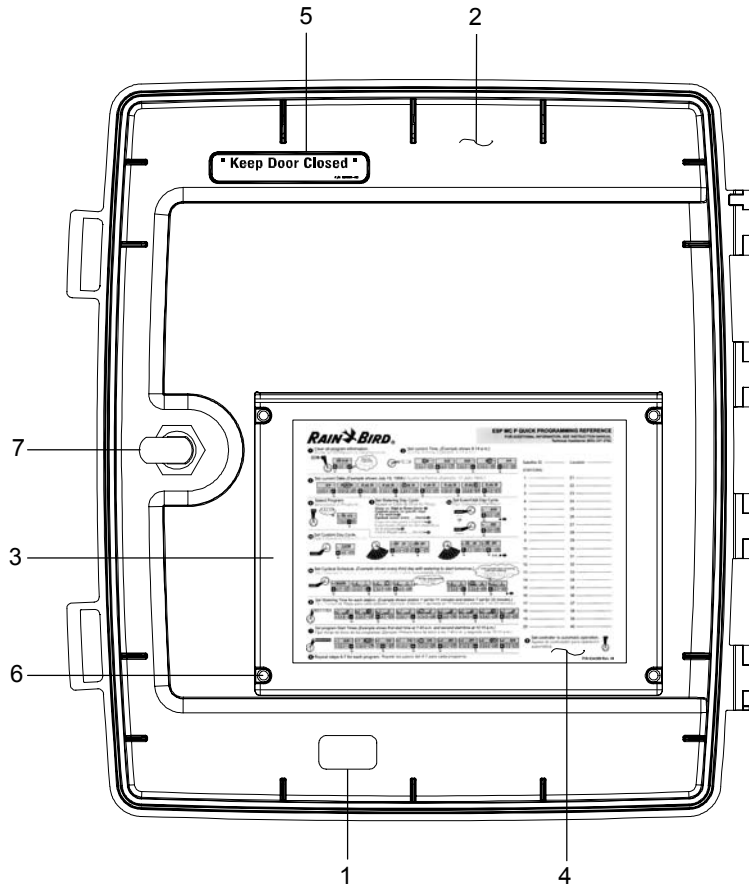


Ref.	Description	Qty.	12	16	24	32	40
<b>CONTROLLER ASSEMBLY, CONT.</b>							
11	Washer Lock, #10, Ext-Tooth,Z-Pltd	6	(650162-04)	(650162-04)	(650162-04)	(650162-04)	(650162-04)
12	Screw Phl Pnh Hi-Lo 7-19x1/2	3	(650183-63)	(650183-63)	(650183-63)	(650183-63)	(650183-63)
13	Screw, Pnh, Hi-Lo, Cs	2	(650249-16)	(650249-16)	(650249-16)	(650249-16)	(650249-16)
14	Rivet, Blind 0.19	2	(650434-13)	(650434-13)	(650434-13)	(650434-13)	(650434-13)
15	Screw, 6-19 x 7/16 Hi-Lo W/Wshr	2	(650563-47)	(650563-47)	(650563-47)	(650563-47)	(650563-47)
-	Spacer, Circuit Board,Edge Hold	6	(650912-10)	(650912-10)	(650912-10)	(650912-10)	(650912-10)
16	Fuse, 5x20Mm, Slow, Blow 2 1/2Amp	1	650966-14	650966-14	650966-14	650966-14	650966-14
17	Tie, Marker	1	(651132)	(651132)	(651132)	(651132)	(651132)
-	Impregnated Foam Corrosion Inhibito	1	(651331)	(651331)	(651331)	(651331)	(651331)
18	Holder Fuse	1	(651384)	(651384)	(651384)	(651384)	(651384)
19	Wire Clip With Adhesive	1	(651446-02)	(651446-02)	(651446-02)	(651446-02)	(651446-02)
<b>XFMR ENCLOSURE ASSY</b>			634383-02	634383-02	634383-02	634383-02	634383-02
20	Enclosure, Transformer Top Im	1	(633777)	(633777)	(633777)	(633777)	(633777)
21	Cover, High Voltage Board	1	(633778)	(633778)	(633778)	(633778)	(633778)
22	Cover, Fuse Pcb, Im	1	(633779)	(633779)	(633779)	(633779)	(633779)
-	Enclosure, Transformer Bottom	1	(633822)	(633822)	(633822)	(633822)	(633822)
-	Xfmr Power 120.230 Vac	1	(634238)	(634238)	(634238)	(634238)	(634238)
-	Screw 6-20 625L Slf Tpg	2	(650104-24)	(650104-24)	(650104-24)	(650104-24)	(650104-24)
-	Closed End, Splice	1	(650828)	(650828)	(650828)	(650828)	(650828)
-	Terminal Block	1	(651382)	(651382)	(651382)	(651382)	(651382)
<b>ACCESSORIES</b>							
-	Instructions, Instl&oper	1	633686	633686	633686	633686	633686
-	Guide, Operations Adden	1	(633942)	(633942)	(633942)	(633942)	(633942)
-	Poster, Installation Inst. Mc-P	1	(634728)	(634728)	(634728)	(634728)	(634728)

Note: Part Numbers enclosed in brackets ( ) are not available individually, but may be sold in assemblies or kits.

IESP12SAT2P/ IESP16SAT2P/ IESP24SAT2P/ IESP32SAT2P/ IESP40SAT2P  
 (PLASTIC WALL MOUNT, INTERNATIONAL, 240 VOLT, 50 Hz)

DOOR ASSEMBLY



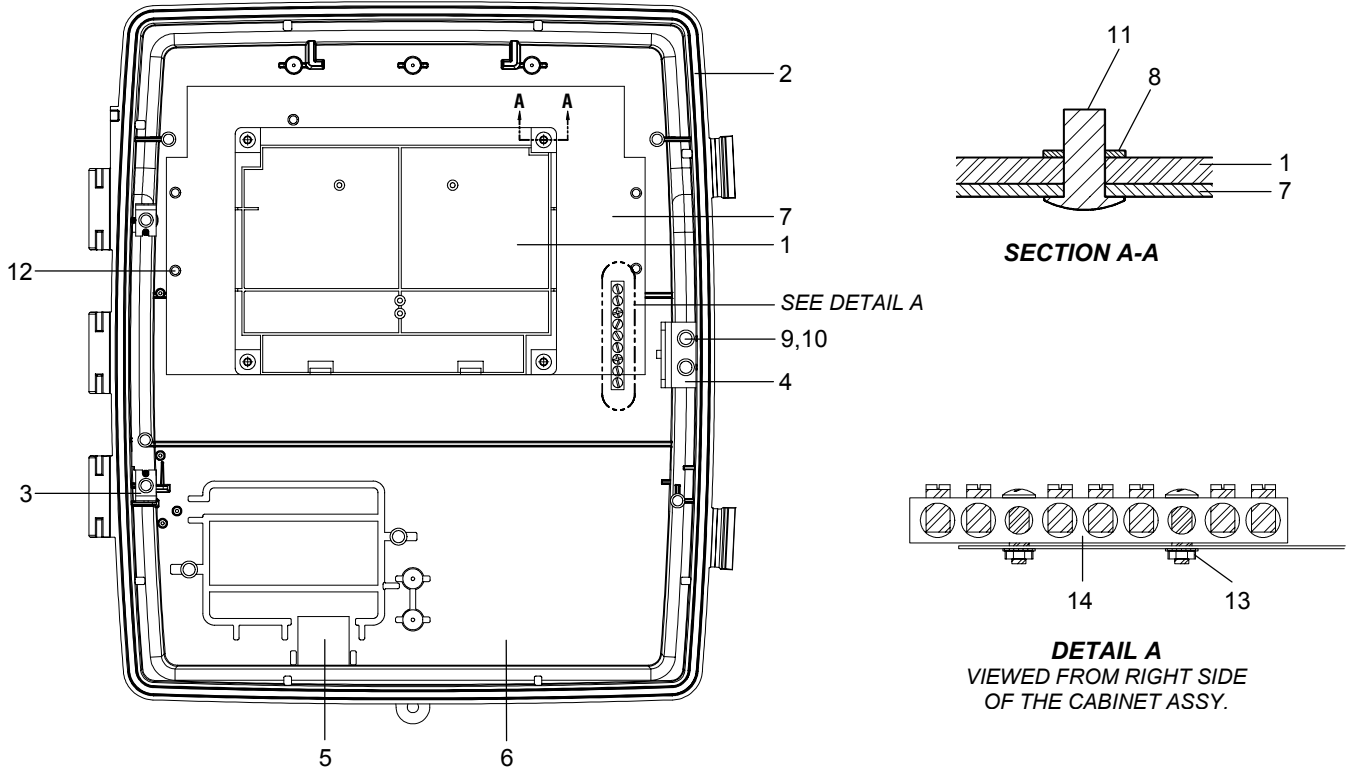
Ref.	Description	Qty.	12	16	24	32	40
<b>DOOR ASSEMBLY</b>			(634384)	(634384)	(634384)	(634384)	(634384)
1	Label Fcc Compliance	1	(629941)	(629941)	(629941)	(629941)	(629941)
2	Enclosure Cabinet Top	1	(633781-01)	(633781-01)	(633781-01)	(633781-01)	(633781-01)
3	Pocket, Cabinet Top	1	(633783-01)	(633783-01)	(633783-01)	(633783-01)	(633783-01)
4	Quick Prog. Guide	1	634389	634389	634389	634389	634389
5	Label, Keep Door Closed	1	(634501)	(634501)	(634501)	(634501)	(634501)
6	Screw, 6-19 x 7/16 Hi-lo W/Wshr	4	(650563-47)	(650563-47)	(650563-47)	(650563-47)	(650563-47)
7	Lock, Cam	1	650755	650755	650755	650755	650755

Note: Part Numbers enclosed in brackets ( ) are not available individually, but may be sold in assemblies or kits.



IESP12SAT2P/ IESP16SAT2P/ IESP24SAT2P/ IESP32SAT2P/ IESP40SAT2P  
 (PLASTIC WALL MOUNT, INTERNATIONAL, 240 VOLT, 50 Hz)

CABINET ASSEMBLY

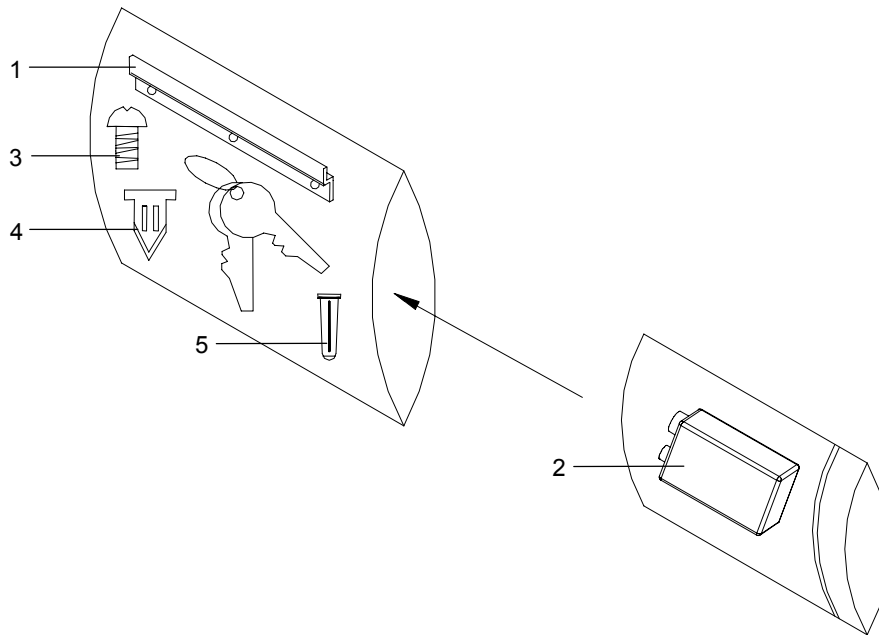


Ref.	Description	Qty.	12	16	24	32	40
<b>CABINET ASSEMBLY</b>			(634381)	(634381)	(634381)	(634381)	(634381)
1	Spacer, Terminal Board	1	(631919)	(631919)	(631919)	(631919)	(631919)
2	Gasket, Foam	1	(633402)	(633402)	(633402)	(633402)	(633402)
3	Hinge, Stamping	2	(633403)	(633403)	(633403)	(633403)	(633403)
4	Hasp Door Lock	1	(633405)	(633405)	(633405)	(633405)	(633405)
-	Bracket, Wall Mount	1	(633406)	(633406)	(633406)	(633406)	(633406)
5	Wiring Insulator Compartment	1	(633407)	(633407)	(633407)	(633407)	(633407)
6	Enclosure, Cabinet Bottom	1	(633780-01)	(633780-01)	(633780-01)	(633780-01)	(633780-01)
7	Bracket	1	(634291)	(634291)	(634291)	(634291)	(634291)
8	Washer, Flat #10 .032	4	(650023-13)	(650023-13)	(650023-13)	(650023-13)	(650023-13)
9	Washer Lk, #8, Ext-tooth, Z-Pltd	4	(650162-03)	(650162-03)	(650162-03)	(650162-03)	(650162-03)
10	Screw Phl Pnh Hi-Lo 4-24x1/4	4	(650183-78)	(650183-78)	(650183-78)	(650183-78)	(650183-78)
-	Screw, Pnh, Hi-Lo. Cs	3	(650249-71)	(650249-71)	(650249-71)	(650249-71)	(650249-71)
11	Rivet, Blind 0.19	4	(650434-13)	(650434-13)	(650434-13)	(650434-13)	(650434-13)
12	Screw, 5-20 x 3/8 Hi-Lo W/Wshr	5	(650563-36)	(650563-36)	(650563-36)	(650563-36)	(650563-36)
13	Nut, #8-32 Hex W/Star Washer	2	(650634-04)	(650634-04)	(650634-04)	(650634-04)	(650634-04)
14	Bar Bus Grounding	2	(651440)	(651440)	(651440)	(651440)	(651440)

Note: Part Numbers enclosed in brackets ( ) are not available individually, but may be sold in assemblies or kits.

IESP12SAT2P/ IESP16SAT2P/ IESP24SAT2P/ IESP32SAT2P/ IESP40SAT2P  
 (PLASTIC WALL MOUNT, INTERNATIONAL, 240 VOLT, 50 Hz)

**COLLATERAL PACKAGE**

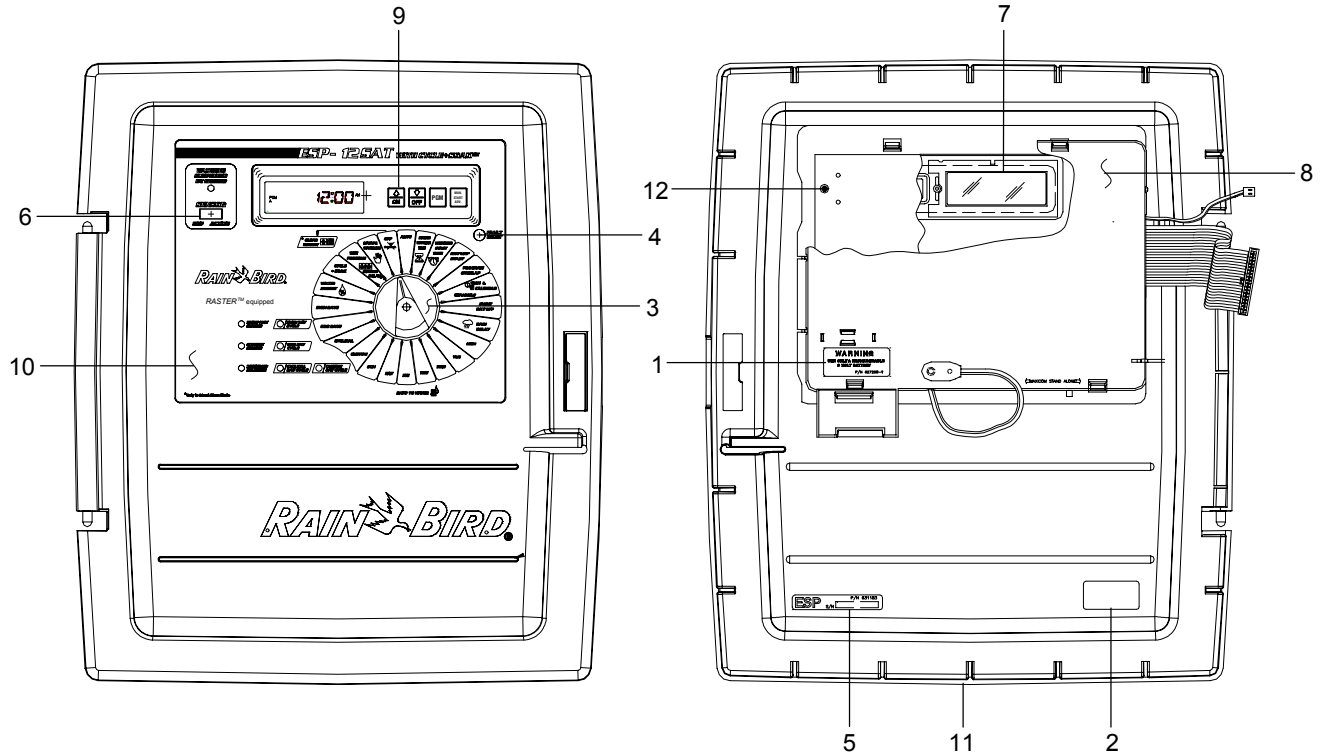


Ref.	Description	Qty.	12	16	24	32	40
<b>COLLATERAL PACKAGE</b>			(634379-01)	(634379-01)	(634379-01)	(634379-01)	(634379-01)
-	Bag, Poly 8 x 10	1	(628282-17)	(628282-17)	(628282-17)	(628282-17)	(628282-17)
1	Bracket, Wall Mount	1	(633406)	(633406)	(633406)	(633406)	(633406)
-	Bag, Zip Lock, Plasts, 2.5x3	1	(650924-01)	(650924-01)	(650924-01)	(650924-01)	(650924-01)
2	Battery, Nicad 7.2V	1	650929	650929	650929	650929	650929
3	Screw, Trhd Phil, Type A1 1/4	4	(651021-16)	(651021-16)	(651021-16)	(651021-16)	(651021-16)
4	Anchor, Wall, Hammer Drive	4	(651022)	(651022)	(651022)	(651022)	(651022)
5	Plastic Anchor 10-12 x 1"	4	(651393-03)	(651393-03)	(651393-03)	(651393-03)	(651393-03)

Note: Part Numbers enclosed in brackets ( ) are not available individually, but may be sold in assemblies or kits.

IESP12SAT2P/ IESP16SAT2P/ IESP24SAT2P/ IESP32SAT2P/ IESP40SAT2P  
 (PLASTIC WALL MOUNT, INTERNATIONAL, 240 VOLT, 50 Hz)

FRONT PANEL ASSEMBLY

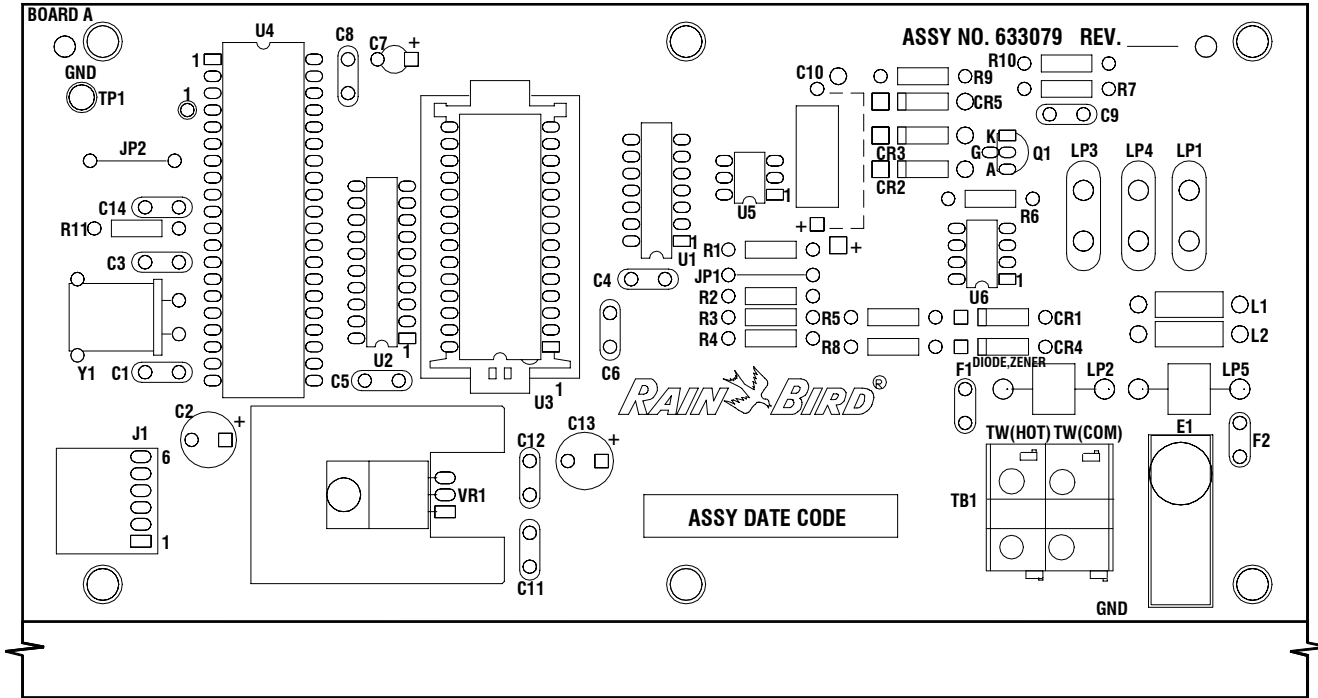


Ref.	Description	Qty.	12	16	24	32	40
<b>FRONT PANEL ASSEMBLY</b>			(635060-02)	(635060-03)	(635060-04)	(635060-05)	(635060-06)
1	Label Warning Cic 8/12	1	(627298)	(627298)	(627298)	(627298)	(627298)
2	Label Date Code	1	(627867)	(627867)	(627867)	(627867)	(627867)
3	Funct Select Knob Assy, Gray	1	630946	630946	630946	630946	630946
-	Esp Funct Select Knob, Gray	1	(630947)	(630947)	(630947)	(630947)	(630947)
-	Ring Compression	1	(650505-06)	(650505-06)	(650505-06)	(650505-06)	(650505-06)
4	Button, Tm Pb Switch	1	(631136)	(631136)	(631136)	(631136)	(631136)
5	Label, Serial, Esp	1	(631183)	(631183)	(631183)	(631183)	(631183)
6	Switch, Actuator-Paragon	1	(632510)	(632510)	(632510)	(632510)	(632510)
7	Lens, Lcd-Esp-C/Lx	1	632700	632700	632700	632700	632700
8	Assy, Cover, Foil	1	(632905)	(632905)	(632905)	(632905)	(632905)
-	Cover, Pwb	1	(631920)	(631920)	(631920)	(631920)	(631920)
-	Shield, Foil Esp-Mc-P	1	(632904)	(632904)	(632904)	(632904)	(632904)
9	Keypad, Silicone	1	(632908)	(632908)	(632908)	(632908)	(632908)
10	Overlay, Front Panel	1	(633324-02)	(633324-03)	(633324-04)	(633324-05)	(633324-06)
11	Assy, Fp/Shield Esp-Mc-P	1	(634392)	(634392)	(634392)	(634392)	(634392)
-	Shield, Front Panel	1	(632897)	(632897)	(632897)	(632897)	(632897)
-	Esp-Mc-P Front Panel	1	(634209)	(634209)	(634209)	(634209)	(634209)
12	Screw, 4-24 x 5/16 Hi-Lo W/Wshr	5	(650563-23)	(650563-23)	(650563-23)	(650563-23)	(650563-23)

Note: Part Numbers enclosed in brackets ( ) are not available individually, but may be sold in assemblies or kits.

IESP12SAT2P/ IESP16SAT2P/ IESP24SAT2P/ IESP32SAT2P/ IESP40SAT2P  
 (PLASTIC WALL MOUNT, INTERNATIONAL, 240 VOLT, 50 Hz)

PWB ASSY ESP-MC TWO WIRE



Ref.	Description	Qty.	12	16	24	32	40
<b>PWB ASSY ESP-MC TWO WIRE</b>							
LP2,5	Spark Gap	2	(633079-01) 624625	(633079-01) 624625	(633079-01) 624625	(633079-01) 624625	(633079-01) 624625
-	Label, Bar Code 39	1	(631356-01)	(631356-01)	(631356-01)	(631356-01)	(631356-01)
-	Printed Wiring Board	1	(633080)	(633080)	(633080)	(633080)	(633080)
U3	Prom Carrier Assy	1	633321-04	633321-04	633321-04	633321-04	633321-04
C1,3	Capacitor, Ceramic Disc 30pF,50V	2	(650012-15)	(650012-15)	(650012-15)	(650012-15)	(650012-15)
C4-6, C8,11, C12,14	Capacitor, Ceramic Disc 0.1uF,50V	7	650013-45	650013-45	650013-45	650013-45	650013-45
LP1,3,4	Mov 68V,500A	3	650016	650016	650016	650016	650016
CR1,4	Diode,Zener,500mW,8.2V	2	650038-12	650038-12	650038-12	650038-12	650038-12
C9	Capacitor,Ceramic Disc .001uF,100V	1	(650040-57)	(650040-57)	(650040-57)	(650040-57)	(650040-57)
C10	Capacitor,Electrl Axial 47uF,50V	1	(650046-13)	(650046-13)	(650046-13)	(650046-13)	(650046-13)
U5	IC,Opto—Isolator,Triac MOC3011	1	650070-01	650070-01	650070-01	650070-01	650070-01
CR2,3	Diode,Gen Purpose,1Amp	2	650077-02	650077-02	650077-02	650077-02	650077-02
CR5	Diode,Gen Purpose,1Amp	1	650077-02	650077-02	650077-02	650077-02	650077-02
R1	Resistor,Carbon Film,1/4W 270Ohms	1	(650079-59)	(650079-59)	(650079-59)	(650079-59)	(650079-59)

Note: Part Numbers enclosed in brackets ( ) are not available individually, but may be sold in assemblies or kits.

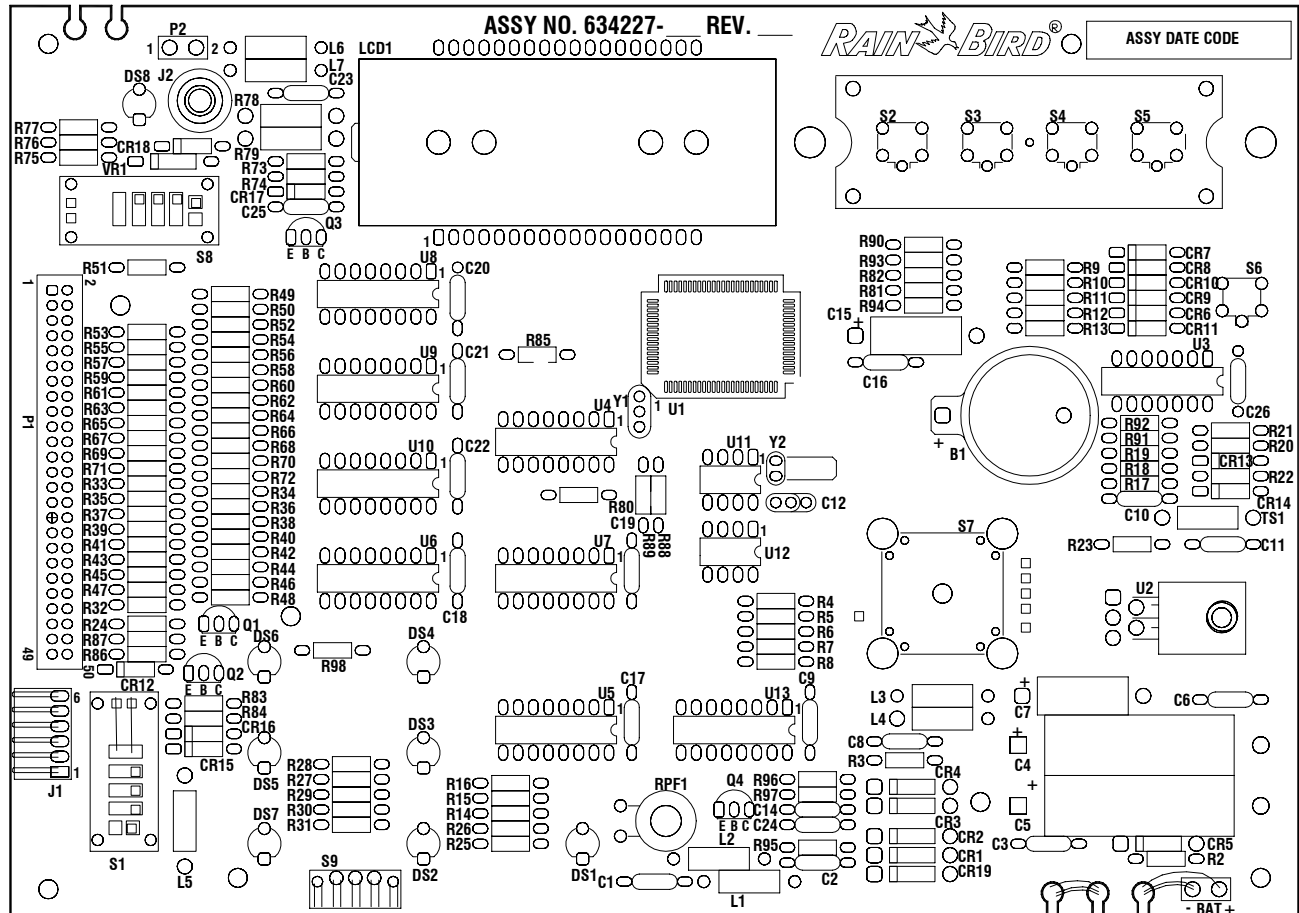
IESP12SAT2P/ IESP16SAT2P/ IESP24SAT2P/ IESP32SAT2P/ IESP40SAT2P  
(PLASTIC WALL MOUNT, INTERNATIONAL, 240 VOLT, 50 Hz)

Ref.	Description	Qty.	12	16	24	32	40
<b>PWB ASSY ESP-MC TWO WIRE, CONT.</b>							
R7,10	Resistor,Carbon Fil,1/4W 1K	2	(650079-73)	(650079-73)	(650079-73)	(650079-73)	(650079-73)
R6	Resistor,carbon Film 1/4W 1.3K	1	(650079-76)	(650079-76)	(650079-76)	(650079-76)	(650079-76)
R9,11	Resistor,Carbon Film,1/4 4.7K	2	650079-89	650079-89	650079-89	650079-89	650079-89
R2,3							
R5,8	Resistor,Carbon Film,1/4W 47K	4	(650080-14)	(650080-14)	(650080-14)	(650080-14)	(650080-14)
R4	Resistor,Carbon Film, 1/4W 100K	1	(650080-22)	(650080-22)	(650080-22)	(650080-22)	(650080-22)
VR1	Heatsink, Grease	.01	(650101)	(650101)	(650101)	(650101)	(650101)
VR1	Rivet,Blind,Domehead .125Dia	1	(650139-05)	(650139-05)	(650139-05)	(650139-05)	(650139-05)
-	Solder	.01	(650160)	(650160)	(650160)	(650160)	(650160)
L1,2	Inductor,Ferrite Bead	2	650300-05	650300-05	650300-05	650300-05	650300-05
VR1	Regulator, +5V	1	650332	650332	650332	650332	650332
VR1	Regulator,Heatsink, to 220	1	(650335)	(650335)	(650335)	(650335)	(650335)
TP1	Test Point, PC Mount	1	(650336-01)	(650336-01)	(650336-01)	(650336-01)	(650336-01)
Q1	SCR	1	650375	650375	650375	650375	650375
U6	Ic,Opto-Coupler, Dual, High Gain	1	650445	650445	650445	650445	650445
U3	Socket, Prom Carrier	1	650518-02	650518-02	650518-02	650518-02	650518-02
U1	Ic,Hex Schmitt Inverter	1	650540	650540	650540	650540	650540
C7	Capacitor,Tantalum,Radial 2.2uF25V	1	650583-03	650583-03	650583-03	650583-03	650583-03
C2,13	Capacitor,Tantalum,Radial 22uF25V	2	650583-09	650583-09	650583-09	650583-09	650583-09
U2	Ic, Octal D-Type Latch	1	650611	650611	650611	650611	650611
JP2	Wire,22Awg,Auto-Inserted .500Lead	1	(650625-03)	(650625-03)	(650625-03)	(650625-03)	(650625-03)
Y1	Wire,22Awg,Auto-Inserted .500Lead	.55	(650625-03)	(650625-03)	(650625-03)	(650625-03)	(650625-03)
Y1	Crystal,Quartz 11.059MHz	1	650721	650721	650721	650721	650721
TB1	Phnx. Terminal Block .300Ctrs. 1 Pos	2	(651000-01)	(651000-01)	(651000-01)	(651000-01)	(651000-01)
J1	Header,Right,Angle .100Ctrs 6 Pins	1	(651005-06)	(651005-06)	(651005-06)	(651005-06)	(651005-06)
U4	Ic, Microprocessor	1	651031	651031	651031	651031	651031
F1,2	Polyswitch, Rxe Series	2	(651055-08)	(651055-08)	(651055-08)	(651055-08)	(651055-08)

Note: Part Numbers enclosed in brackets ( ) are not available individually, but may be sold in assemblies or kits.

IESP12SAT2P/ IESP16SAT2P/ IESP24SAT2P/ IESP32SAT2P/ IESP40SAT2P  
 (PLASTIC WALL MOUNT, INTERNATIONAL, 240 VOLT, 50 Hz)

PWB ASSY ESP-MC ESC-1 CONTROLLER



Ref.	Description	Qty.	12	16	24	32	40
<b>PWB ASSY ESP-MC ESC-1 CONTROLLER</b>			(634227-08)	(634227-09)	(634227-10)	(634227-11)	(634227-12)
S7	Switch, Rotary	1	(630609)	(630609)	(630609)	(630609)	(630609)
S8	Switch, Slide	1	(630651)	(630651)	(630651)	(630651)	(630651)
-	Label, Bar Code 39	1	(631356-01)	(631356-01)	(631356-01)	(631356-01)	(631356-01)
LCD1	Spacer, LCD	1	(632046)	(632046)	(632046)	(632046)	(632046)
P2	Sensor Cable	1	(632048-01)	(632048-01)	(632048-01)	(632048-01)	(632048-01)
J2	Spring, Shield .70Long	1	(632898-01)	(632898-01)	(632898-01)	(632898-01)	(632898-01)
-	Spring Shield .44Long	1	(632898-02)	(632898-02)	(632898-02)	(632898-02)	(632898-02)
LCD1	Liquid Crystal Display	1	(633087)	(633087)	(633087)	(633087)	(633087)
U1	Microcomp., Toshiba,OTP	1	(633088)	(633088)	(633088)	(633088)	(633088)
P1	Ribbon Cable Assy.	1	(633090)	(633090)	(633090)	(633090)	(633090)
-	Printed Wiring Board	1	(634228)	(634228)	(634228)	(634228)	(634228)
C12	Capacitor,Ceramic radial 6pF,50V	1	(650012-04)	(650012-04)	(650012-04)	(650012-04)	(650012-04)

Note: Part Numbers enclosed in brackets ( ) are not available individually, but may be sold in assemblies or kits.

IESP12SAT2P/ IESP16SAT2P/ IESP24SAT2P/ IESP32SAT2P/ IESP40SAT2P  
(PLASTIC WALL MOUNT, INTERNATIONAL, 240 VOLT, 50 Hz)

Ref.	Description	Qty.	12	16	24	32	40
<b>PWB ASSY ESP-MC ESC-1 CONTROLLER, CONT.</b>							
U2	Washer, Flat, Carbon Steel No.5	1	(650023-03)	(650023-03)	(650023-03)	(650023-03)	(650023-03)
CR6	Diode, Switching	1	650037-01	650037-01	650037-01	650037-01	650037-01
CR7	Diode, Switching	1	650037-01	-	650037-01	-	650037-01
CR8	Diode, Switching	1	-	650037-01	650037-01	-	-
CR9	Diode, Switching	1	-	-	-	650037-01	650037-01
CR11-18	Diode, Switching	8	650037-01	650037-01	650037-01	650037-01	650037-01
VR1	Diode, Zener, 500mW, 5.6V	1	(650038-71)	(650038-71)	(650038-71)	(650038-71)	(650038-71)
C7, C15	Capacitor, Electrol, Axial 47uF, 10V	2	(650044-03)	(650044-03)	(650044-03)	(650044-03)	(650044-03)
BAT	Battery Snap 9V	1	650075	650075	650075	650075	650075
CR1-5 CR19	Diode, Gen Purpose, 1Amp	6	650077-02	650077-02	650077-02	650077-02	650077-02
R23, 85	Resistor, Carbon Film, 1/4W, 10Ohm	2	(650079-25)	(650079-25)	(650079-25)	(650079-25)	(650079-25)
R24, 32, R98, R49-56	Resistor, Carbon Film, 1/4W, 150Ohms	11	(650079-53)	(650079-53)	(650079-53)	(650079-53)	(650079-53)
R57-60	Resistor, Carbon Film, 1/4W, 150Ohms	4	(650079-53)	(650079-53)	(650079-53)	(650079-53)	(650079-53)
R61-64	Resistor, Carbon Film, 1/4W, 150Ohms	4	-	(650079-53)	(650079-53)	(650079-53)	(650079-53)
R65-72	Resistor, Carbon Film, 1/4W, 150Ohms	8	-	-	(650079-53)	(650079-53)	(650079-53)
R33-40	Resistor, Carbon Film, 1/4W, 150Ohms	8	-	-	-	(650079-53)	(650079-53)
R41-48	Resistor, Carbon Film, 1/4W, 150Ohms	8	-	-	-	-	(650079-53)
R25-31	Resistor, Carbon Film, 1/4W, 470Ohms	7	(650079-65)	(650079-65)	(650079-65)	(650079-65)	(650079-65)
R17, 95	Resistor, Carbon Film, 1/4W, 1KOhm	2	(650079-73)	(650079-73)	(650079-73)	(650079-73)	(650079-73)
R76	Resistor, Carbon Film, 1/4W, 2KOhms	1	(650079-80)	(650079-80)	(650079-80)	(650079-80)	(650079-80)
R2	Resistor, Carbon Film, 1/4W, 3.3KOhm	1	(650079-85)	(650079-85)	(650079-85)	(650079-85)	(650079-85)
R20-22, R84, R87-90	Resistor, Carbon Film, 1/4W, 4.7KOhm	8	650079-89	650079-89	650079-89	650079-89	650079-89
R92	Resistor, Carbon Film, 1/4W, 8.2KOhm	1	(650079-95)	(650079-95)	(650079-95)	(650079-95)	(650079-95)
R19, 91	Resistor, Carbon Film, 1/4W, 10KOhm	2	(650079-97)	(650079-97)	(650079-97)	(650079-97)	(650079-97)
R18, 80 R83, 86 R4-16, R73, 81, R82, 93, R94	Resistor, Carbon Film, 1/4W, 47KOhm	4	(650080-14)	(650080-14)	(650080-14)	(650080-14)	(650080-14)
R3, 74, R75, 96, R97	Resistor, Carbon Film, 1/4W, 100KOh	18	(650080-22)	(650080-22)	(650080-22)	(650080-22)	(650080-22)
C3, 8-10, C14, 16, C17, 20, C24	Capacitor, Ceramic Axial .1uF, 50V	9	(650085-55)	(650085-55)	(650085-55)	(650085-55)	(650085-55)

Note: Part Numbers enclosed in brackets ( ) are not available individually, but may be sold in assemblies or kits.

IESP12SAT2P/ IESP16SAT2P/ IESP24SAT2P/ IESP32SAT2P/ IESP40SAT2P  
(PLASTIC WALL MOUNT, INTERNATIONAL, 240 VOLT, 50 Hz)

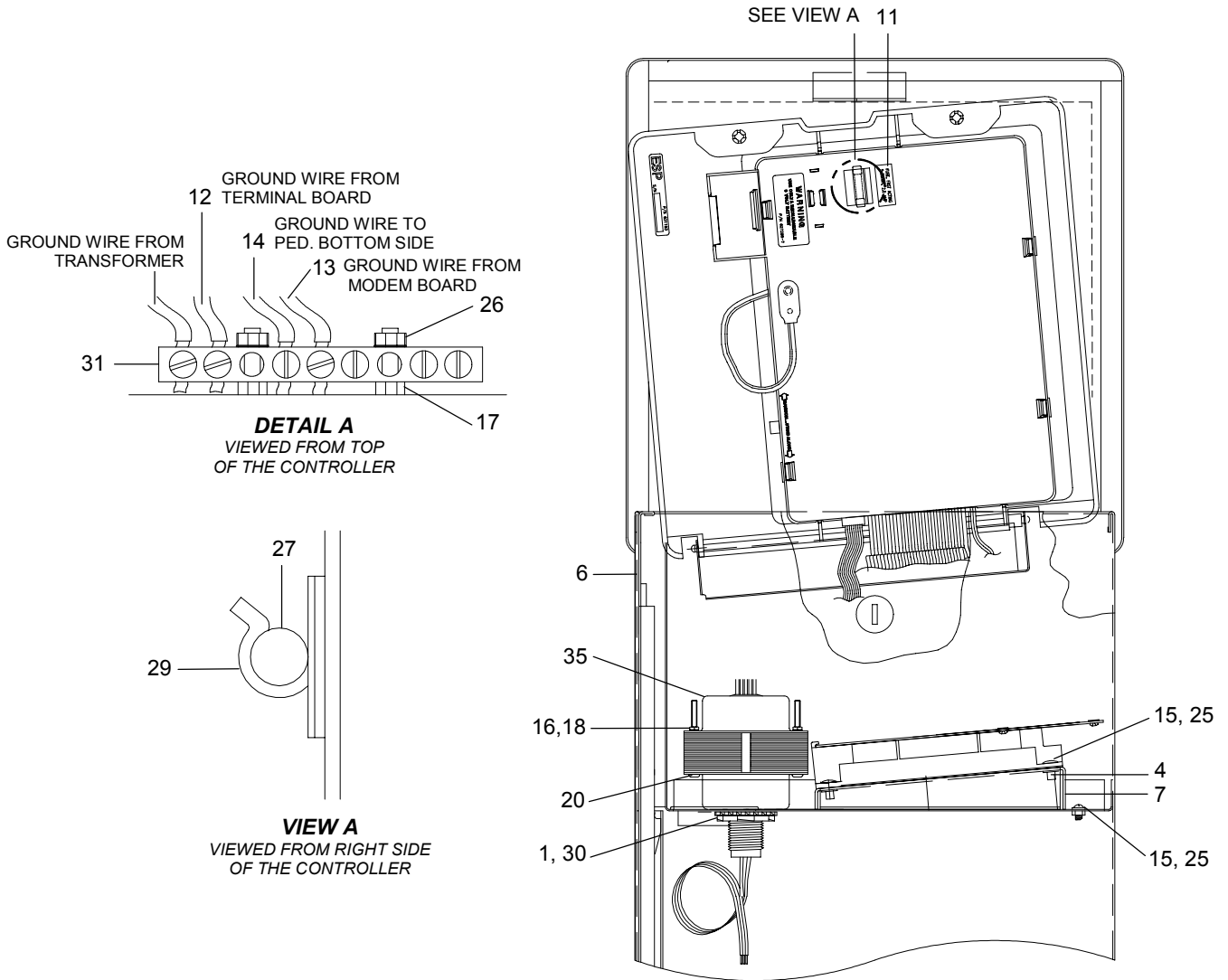
Ref.	Description	Qty.	12	16	24	32	40
<b>PWB ASSY ESP-MC ESC-1 CONTROLLER, CONT.</b>							
C21	Capacitor, Ceramic Axial .1uF, 50V	1	(650085-55)	(650085-55)	(650085-55)	(650085-55)	(650085-55)
C22	Capacitor, Ceramic Axial .1uF, 50V	1	-	-	(650085-55)	(650085-55)	(650085-55)
C18	Capacitor, Ceramic Axial .1uF, 50V	1	-	-	-	(650085-55)	(650085-55)
C19	Capacitor, Ceramic Axial .1uF, 50V	1	-	-	-	-	(650085-55)
U2	Rivet, Blind Dome HD .125 Dia	1	(650139-05)	(650139-05)	(650139-05)	(650139-05)	(650139-05)
R78,79	Resistor, Carbon Film, 1/2W, 1KOhm	2	(650202-73)	(650202-73)	(650202-73)	(650202-73)	(650202-73)
L1-7	Inductor, Ferrite Bead	7	650300-05	650300-05	650300-05	650300-05	650300-05
U3	I.C. Quad OP Amp	1	650358	650358	650358	650358	650358
Q3,4	Transistor, NPN, 625mW	2	650367	650367	650367	650367	650367
Q1,2	Transistor, PNP	2	650369	650369	650369	650369	650369
Y2	Crystal, Quartz 32.768KHz	1	(650484)	(650484)	(650484)	(650484)	(650484)
-	Lubricant, Switch	.001	(650588)	(650588)	(650588)	(650588)	(650588)
TS1	Transient Suppressor Bidirection 6.8V	1	(650595-01)	(650595-01)	(650595-01)	(650595-01)	(650595-01)
C5	Capacitor, Electro, Axial 330uF, 25V	1	(650624)	(650624)	(650624)	(650624)	(650624)
U4	3-8Line Decoder	1	650699	650699	650699	650699	650699
S2-6	Switch, Pushbutton	5	(650748)	(650748)	(650748)	(650748)	(650748)
C1,2,11, C23,25	Capacitor, Ceramic Axial .01uF, 100V	5	(650882-01)	(650882-01)	(650882-01)	(650882-01)	(650882-01)
C6	Capacitor, NPO, Axial 100pF, 100V	1	(650883-13)	(650883-13)	(650883-13)	(650883-13)	(650883-13)
C26	Capacitor, NPO, Axial 220pF, 100V	1	(650883-17)	(650883-17)	(650883-17)	(650883-17)	(650883-17)
U5,8	8Bit Adressable Latch	2	650889	650889	650889	650889	650889
U9	8Bit Adressable Latch	1	650889	650889	650889	650889	650889
U10	8Bit Adressable Latch	1	-	-	650889	650889	650889
U6	8Bit Adressable Latch	1	-	-	-	650889	650889
U7	8Bit Adressable Latch	1	-	-	-	-	650889
DS1-8	Led, Red, .200Ctrs.	8	650910	650910	650910	650910	650910
U2	Regulator, Low Dropout	1	(650962)	(650962)	(650962)	(650962)	(650962)
J2	Eyelet, Spring	1	(650985)	(650985)	(650985)	(650985)	(650985)
J1	Header, Right Angle 100Ctrs 6Pins	1	(651005-06)	(651005-06)	(651005-06)	(651005-06)	(651005-06)
B1	Battery, Lithium	1	(651009)	(651009)	(651009)	(651009)	(651009)
B1	Holder, Battery Coin	1	(651010)	(651010)	(651010)	(651010)	(651010)
U11	I.C., Real Time Clock	1	(651011)	(651011)	(651011)	(651011)	(651011)
U12	I.C., EEPROM-4K Byte, Serial	1	(651012)	(651012)	(651012)	(651012)	(651012)
Y1	Resonator, Ceramic, 8.0MHz	1	(651013)	(651013)	(651013)	(651013)	(651013)
U13	I.C., 8 Bit Input Mux	1	(651014)	(651014)	(651014)	(651014)	(651014)
C4	Capacitor, Electro, Axial 1000uF, 25V	1	(651054-12)	(651054-12)	(651054-12)	(651054-12)	(651054-12)
RPF1	Polyswitch, RXE 60V, .65A	1	(651055-08)	(651055-08)	(651055-08)	(651055-08)	(651055-08)
S9	Switch, Slide	1	(651292)	(651292)	(651292)	(651292)	(651292)

Note: Part Numbers enclosed in brackets ( ) are not available individually, but may be sold in assemblies or kits.



IESP12SAT2S/ IESP16SAT2S/ IESP24SAT2S/ IESP32SAT2S/ IESP40SAT2S  
 (STAINLESS STEEL PEDESTAL, INTERNATIONAL, 2400 VOLT, 50 Hz)

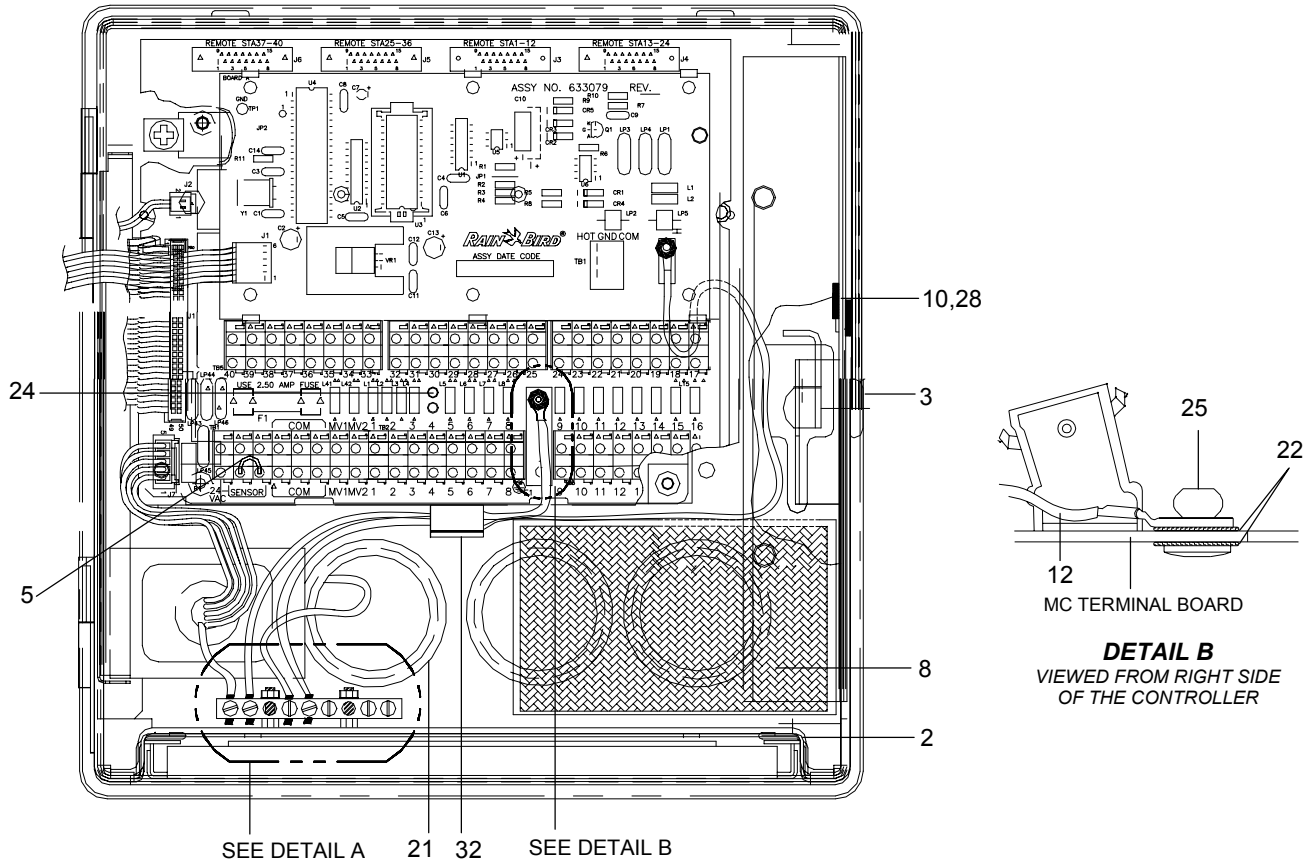
**CONTROLLER ASSEMBLY**



Ref.	Description	Qty.	12	16	24	32	40
<b>CONTROLLER ASSEMBLY</b>			(633483-06)	(633483-07)	(633483-08)	(633483-09)	(633483-10)
1	Locknut Conduit	1	(628013)	(628013)	(628013)	(628013)	(628013)
2	Panel Access Ped Top Opening	1	629466	629466	629466	629466	629466
3	Lock, Bent Cam	1	630336-02	630336-02	630336-02	630336-02	630336-02
4	Spacer, Terminal Board	1	(631919)	(631919)	(631919)	(631919)	(631919)
-	Cable Assy, 2Wire/Link Intfc-Mc	1	(633132)	(633132)	(633132)	(633132)	(633132)
5	Sensor Jumper Wire	1	(633442)	(633442)	(633442)	(633442)	(633442)
6	Ped, Ss, Top Opening	1	(633477)	(633477)	(633477)	(633477)	(633477)
7	Bracket, Term Mntng-Esp-Sat-Ss	1	(633485)	(633485)	(633485)	(633485)	(633485)
-	Label, Caution	1	(633657)	(633657)	(633657)	(633657)	(633657)

Note: Part Numbers enclosed in brackets ( ) are not available individually, but may be sold in assemblies or kits.

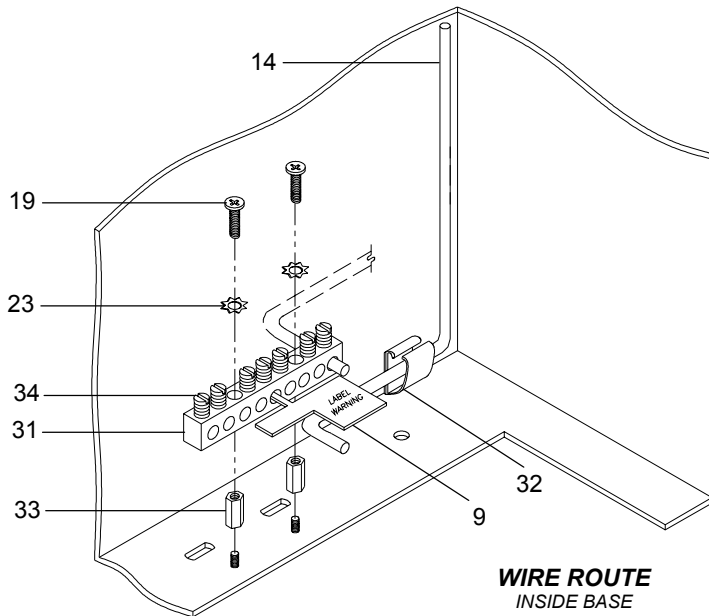
IESP12SAT2S/ IESP16SAT2S/ IESP24SAT2S/ IESP32SAT2S/ IESP40SAT2S  
 (STAINLESS STEEL PEDESTAL, INTERNATIONAL, 2400 VOLT, 50 Hz)



Ref.	Description	Qty.	12	16	24	32	40
<b>CONTROLLER ASSEMBLY, CONT.</b>							
8	Box, Parts, Ss Ped-Esp-Sat	1	(633740)	(633740)	(633740)	(633740)	(633740)
-	Foam, Door Wedge, Ss Ped	1	(633743)	(633743)	(633743)	(633743)	(633743)
9	Label Warning Grounding	1	(634502)	(634502)	(634502)	(634502)	(634502)
10	Label, Warning Corrosion Inhib	1	(634558)	(634558)	(634558)	(634558)	(634558)
11	Label, Fuse 2.5 Amp	1	(634615)	(634615)	(634615)	(634615)	(634615)
12	Ground Wire Assy 12 Awg (11)	1	(634943-11)	(634943-11)	(634943-11)	(634943-11)	(634943-11)
13	Ground Wire Assy 12 Awg (19)	1	(634943-19)	(634943-19)	(634943-19)	(634943-19)	(634943-19)
14	Ground Wire Assy 12 Awg (48)	1	(634943-48)	(634943-48)	(634943-48)	(634943-48)	(634943-48)
-	Washer, Flat #8 .032	4	(650023-10)	(650023-10)	(650023-10)	(650023-10)	(650023-10)
15	Washer, Flat #10 .032	4	(650023-13)	(650023-13)	(650023-13)	(650023-13)	(650023-13)
16	Washer, Ksdr, #8 .040, Cres	2	(650029-04)	(650029-04)	(650029-04)	(650029-04)	(650029-04)
17	Nut, Pl, Hex, #8-32, Cres, Psvtd	2	(650033-04)	(650033-04)	(650033-04)	(650033-04)	(650033-04)
18	Nut, Hex #8	2	(650034-04)	(650034-04)	(650034-04)	(650034-04)	(650034-04)
19	Screw 8-32 .750 Pn Hd	2	(650106-47)	(650106-47)	(650106-47)	(650106-47)	(650106-47)
20	Screw 8-32 x 3 Pn Hd	2	(650106-57)	(650106-57)	(650106-57)	(650106-57)	(650106-57)

Note: Part Numbers enclosed in brackets ( ) are not available individually, but may be sold in assemblies or kits.

IESP12SAT2S/ IESP16SAT2S/ IESP24SAT2S/ IESP32SAT2S/ IESP40SAT2S  
 (STAINLESS STEEL PEDESTAL, INTERNATIONAL, 2400 VOLT, 50 Hz)

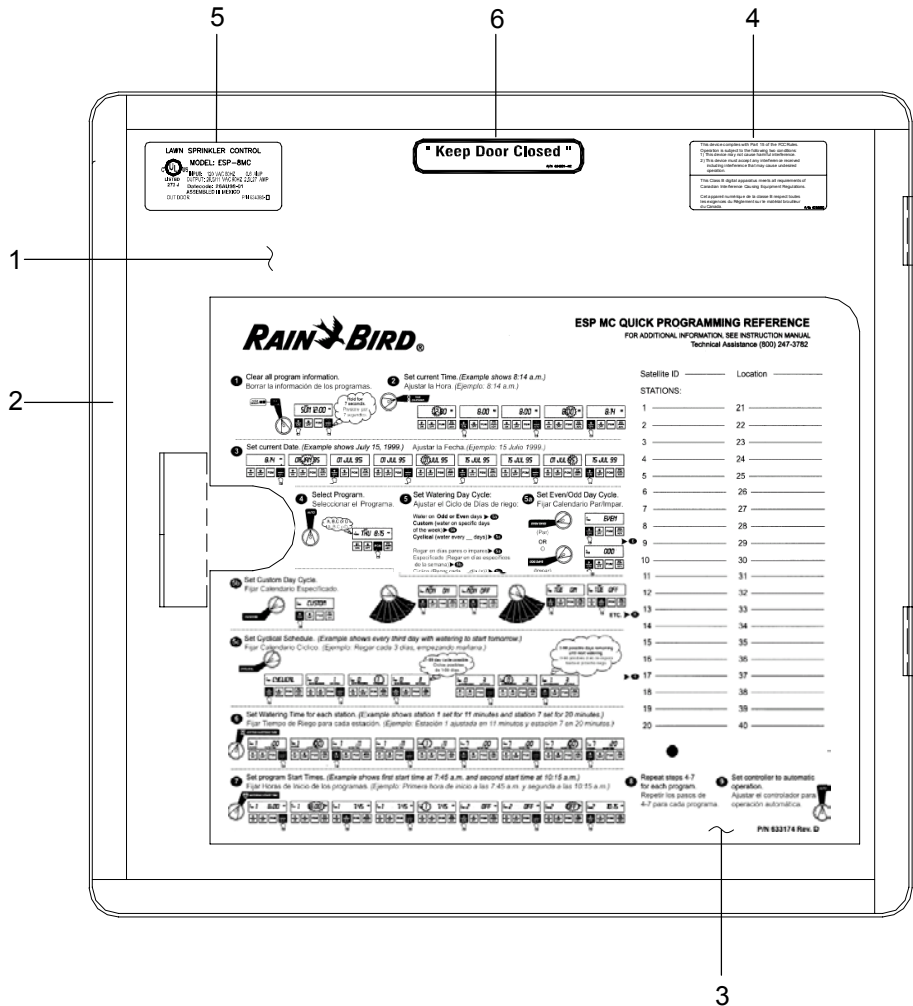


Ref.	Description	Qty.	12	16	24	32	40
<b>CONTROLLER ASSEMBLY, CONT.</b>							
21	Bushing Snap Nylon	3	(650152-53)	(650152-53)	(650152-53)	(650152-53)	(650152-53)
22	Wshr Lk, #10, Ext-Tooth, Z-Pltd	4	(650162-04)	(650162-04)	(650162-04)	(650162-04)	(650162-04)
23	Washer #8 32 x 5/16	2	(650163-03)	(650163-03)	(650163-03)	(650163-03)	(650163-03)
24	Screw Phl Hi-Lo 7-19x1/2	3	(650183-63)	(650183-63)	(650183-63)	(650183-63)	(650183-63)
25	Rivet, Blind 0.19	10	(650434-13)	(650434-13)	(650434-13)	(650434-13)	(650434-13)
-	Plug, Hole .250, Nyl, Black	1	(650485-03)	(650485-03)	(650485-03)	(650485-03)	(650485-03)
-	Plug, Hole .375, Nyl,Black	1	(650485-07)	(650485-07)	(650485-07)	(650485-07)	(650485-07)
-	Locknut Conduit	2	(650498)	(650498)	(650498)	(650498)	(650498)
26	Nut, #8-32 Hex W/Star Washer	2	(650634-04)	(650634-04)	(650634-04)	(650634-04)	(650634-04)
-	Spacer, Circuit Board, Edge Hold	6	(650912-10)	(650912-10)	(650912-10)	(650912-10)	(650912-10)
27	Fuse, 5x20MM,Slow Blow 2 1/2Amp	1	650966-14	650966-14	650966-14	650966-14	650966-14
28	Impreganted Foam Corrosion Inh	1	(651331)	(651331)	(651331)	(651331)	(651331)
29	Holder Fuse	1	(651384)	(651384)	(651384)	(651384)	(651384)
30	Lock Washer, External Tooth	1	(651389)	(651389)	(651389)	(651389)	(651389)
31	Bar Bus Grounding	2	(651440)	(651440)	(651440)	(651440)	(651440)
32	Wire Clip With Adhesive	6	(651446-02)	(651446-02)	(651446-02)	(651446-02)	(651446-02)
33	Aluminum Hex Standoff	2	(651500-09)	(651500-09)	(651500-09)	(651500-09)	(651500-09)
34	Slotted Set Screw ¼-28x.500	7	(651510)	(651510)	(651510)	(651510)	(651510)
<b>XFMR ASSY.</b>			633148-01	633148-01	633148-01	633148-01	633148-01
35	Xfmr, Power-26.5 Vac/ 60Hz	1	(633147)	(633147)	(633147)	(633147)	(633147)
-	Cable Tie, Nylon 7/8 Bundle	1	650131	650131	650131	650131	650131
-	Terminal Crimp Molex	5	(650323)	(650323)	(650323)	(650323)	(650323)
-	Housing Crimp Terminal 5 Circ	1	(650873-05)	(650873-05)	(650873-05)	(650873-05)	(650873-05)
-	Ferrite Shield Bead		(651123)	(651123)	(651123)	(651123)	(651123)

Note: Part Numbers enclosed in brackets ( ) are not available individually, but may be sold in assemblies or kits.

IESP12SAT2S/ IESP16SAT2S/ IESP24SAT2S/ IESP32SAT2S/ IESP40SAT2S  
 (STAINLESS STEEL PEDESTAL, INTERNATIONAL, 240 VOLT, 50 Hz)

DOOR ASSEMBLY

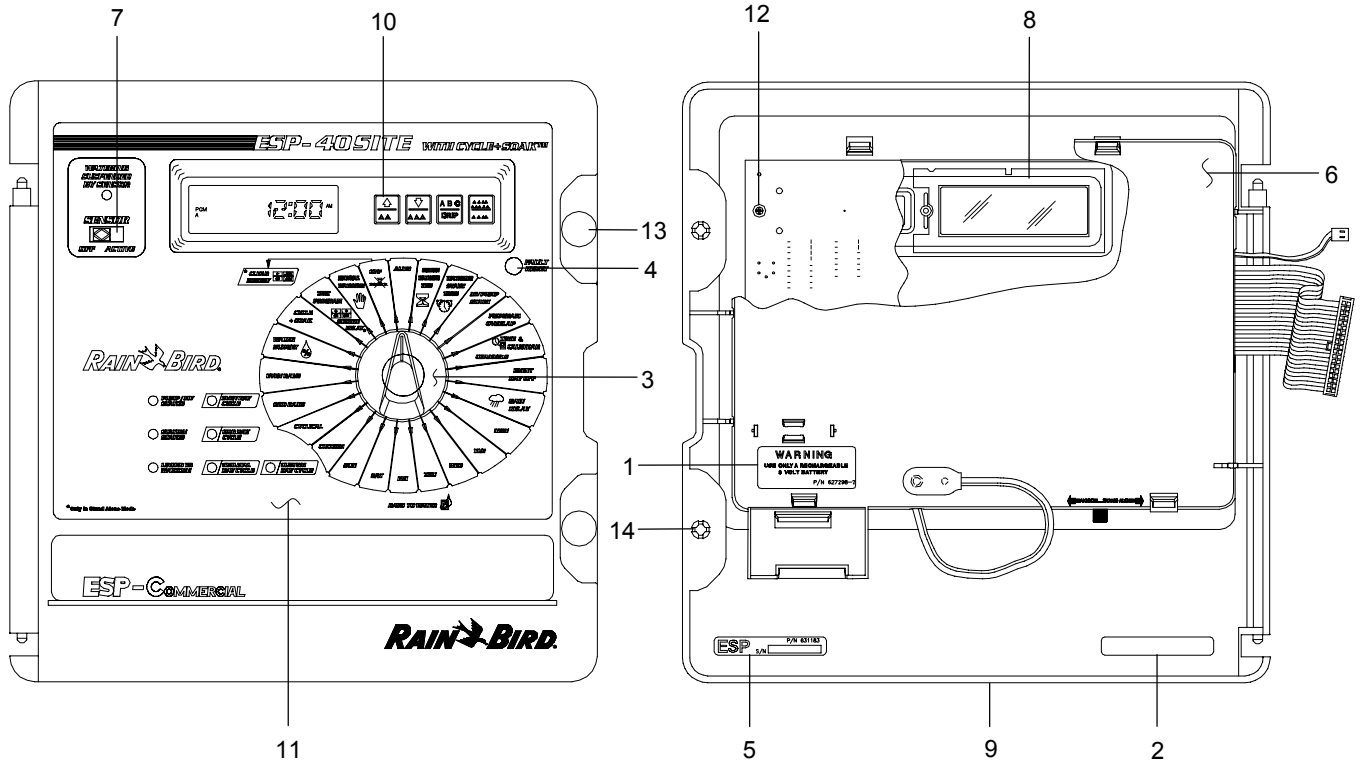


Ref.	Description	Qty.	12	16	24	32	40
<b>DOOR ASSEMBLY</b>			(633482-04)	(633482-04)	(633482-04)	(633482-04)	(633482-04)
-	Door Assy, Pedestal	1	(629463)	(629463)	(629463)	(629463)	(629463)
1	Door, Pedestal1	1	(629465)	(629465)	(629465)	(629465)	(629465)
2	Gasket Foam S/S Ped 4 Per	4	(629499)	(629499)	(629499)	(629499)	(629499)
3	Label/Envelope	1	(633174)	(633174)	(633174)	(633174)	(633174)
4	Label, Fcc Compliance	1	(633662)	(633662)	(633662)	(633662)	(633662)
5	Label, Rating	1	(634385-06)	(634385-06)	(634385-06)	(634385-06)	(634385-06)
6	Label Keep Door Closed	1	(634501)	(634501)	(634501)	(634501)	(634501)

Note: Part Numbers enclosed in brackets ( ) are not available individually, but may be sold in assemblies or kits.

IESP12SAT2S/ IESP16SAT2S/ IESP24SAT2S/ IESP32SAT2S/ IESP40SAT2S  
 (STAINLESS STEEL PEDESTAL, INTERNATIONAL, 240 VOLT, 50 Hz)

**FRONT PANEL ASSEMBLY**

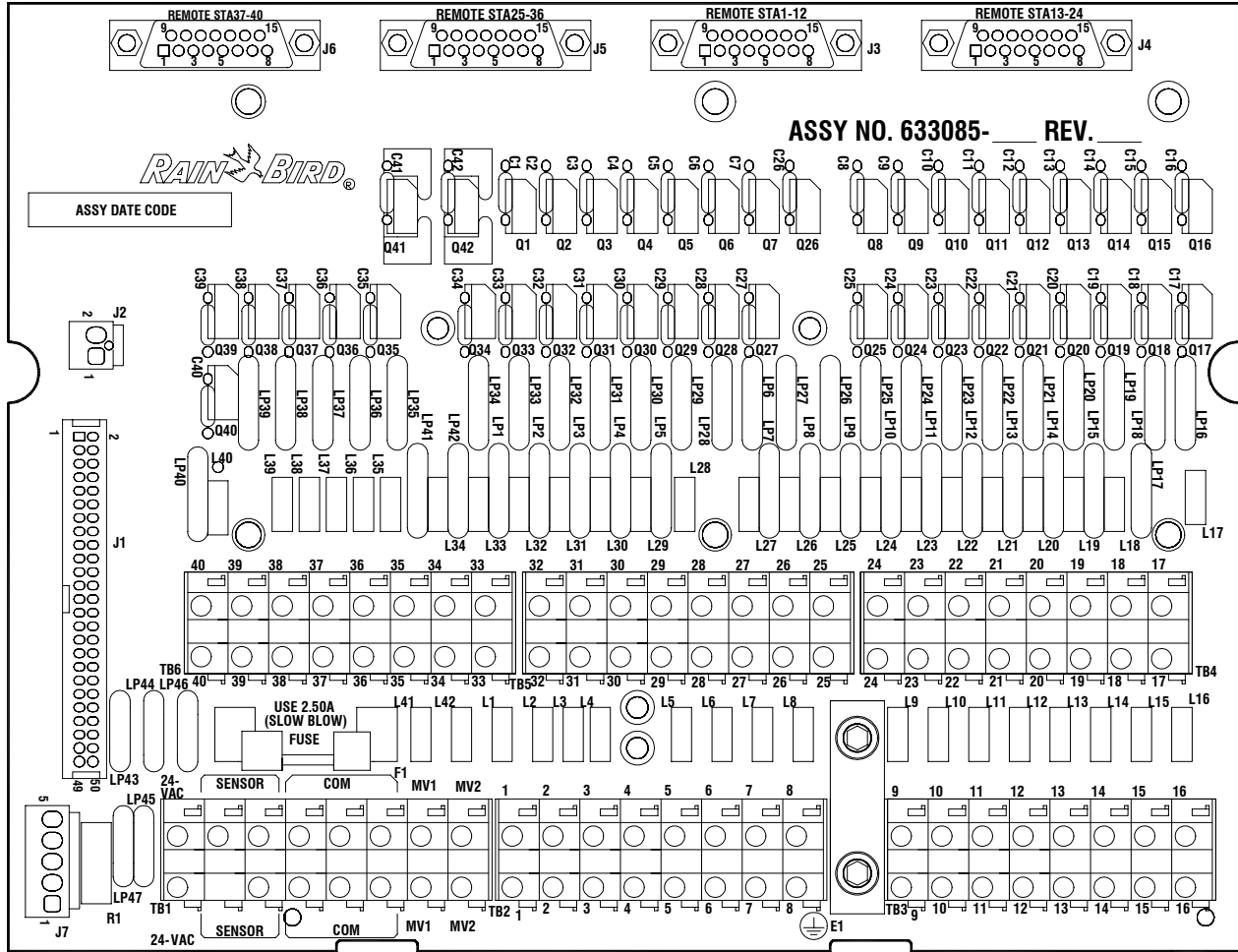


Ref.	Description	Qty.	12	16	24	32	40
<b>FRONT PANEL ASSEMBLY</b>			(633461-02)	(633461-03)	(633461-04)	(633461-05)	(633461-06)
1	Label Warning Cic 8/12	1	(627298)	(627298)	(627298)	(627298)	(627298)
2	Label Date Code	1	(627867)	(627867)	(627867)	(627867)	(627867)
3	Func Select Knob Assy, Gray	1	630946	630946	630946	630946	630946
-	Esp Func Select Knob, Gray	1	(630947)	(630947)	(630947)	(630947)	(630947)
-	Ring Compression	1	(650505-06)	(650505-06)	(650505-06)	(650505-06)	(650505-06)
4	Button, Tm Pb Switch	1	(631136)	(631136)	(631136)	(631136)	(631136)
5	Label, Serial	1	(631183)	(631183)	(631183)	(631183)	(631183)
6	Cover, Pwb	1	(631920)	(631920)	(631920)	(631920)	(631920)
7	Switch, Actuator- Paragon	1	(632510)	(632510)	(632510)	(632510)	(632510)
8	Lens, Lcd-Esp-C-Lx	1	632700	632700	632700	632700	632700
9	Fp/Shield Assy-Esp-C	1	(632906)	(632906)	(632906)	(632906)	(632906)
-	Front Panel Esp-Mc	1	(631918)	(631918)	(631918)	(631918)	(631918)
-	Shield, Front Panel-Esp-C	1	(632897)	(632897)	(632897)	(632897)	(632897)
10	Keypad, Silicone	1	(632908)	(632908)	(632908)	(632908)	(632908)
11	Overlay, Fr Panel	1	(633324-02)	(633324-03)	(633324-04)	(633324-05)	(633324-06)
12	Screw, 4-24 x 5/16 Hi-Lo W/Wshr	5	(650563-23)	(650563-23)	(650563-23)	(650563-23)	(650563-23)
13	Lock, Plunger	2	(650927-02)	(650927-02)	(650927-02)	(650927-02)	(650927-02)
14	Lock, Grommet	2	(650928-02)	(650928-02)	(650928-02)	(650928-02)	(650928-02)

Note: Part Numbers enclosed in brackets ( ) are not available individually, but may be sold in assemblies or kits.

IESP12SAT2S/ IESP16SAT2S/ IESP24SAT2S/ IESP32SAT2S/ IESP40SAT2S  
 (STAINLESS STEEL PEDESTAL, INTERNATIONAL, 240 VOLT, 50 Hz)

PWB ASSY TERMINAL



Ref.	Description	Qty.	12	16	24	32	40
<b>PWB ASSY TERMINAL</b>							
LP45,47	Mov 56V,1000A	2	(633085-08)	(633085-09)	(633085-10)	(633085-11)	(633085-12)
LP46	Mov 56V,1000A	1	624624	624624	624624	624624	624624
-	Label, Bar Code 39	1	(631356-01)	(631356-01)	(631356-01)	(631356-01)	(631356-01)
-	Printed Wiring Board	1	(633086)	(633086)	(633086)	(633086)	(633086)
-	Solder	.001	(650160)	(650160)	(650160)	(650160)	(650160)
L1-8, L41,L42	Inductor, Ferrite Bead	10	650300-05	650300-05	650300-05	650300-05	650300-05
L9-12	Inductor, Ferrite Bead	4	650300-05	650300-05	650300-05	650300-05	650300-05
L13-16	Inductor, Ferrite Bead	4	-	650300-05	650300-05	650300-05	650300-05
L17-24	Inductor, Ferrite Bead	8	-	-	650300-05	650300-05	650300-05
L25-32	Inductor, Ferrite Bead	8	-	-	-	650300-05	650300-05

Note: Part Numbers enclosed in brackets ( ) are not available individually, but may be sold in assemblies or kits.

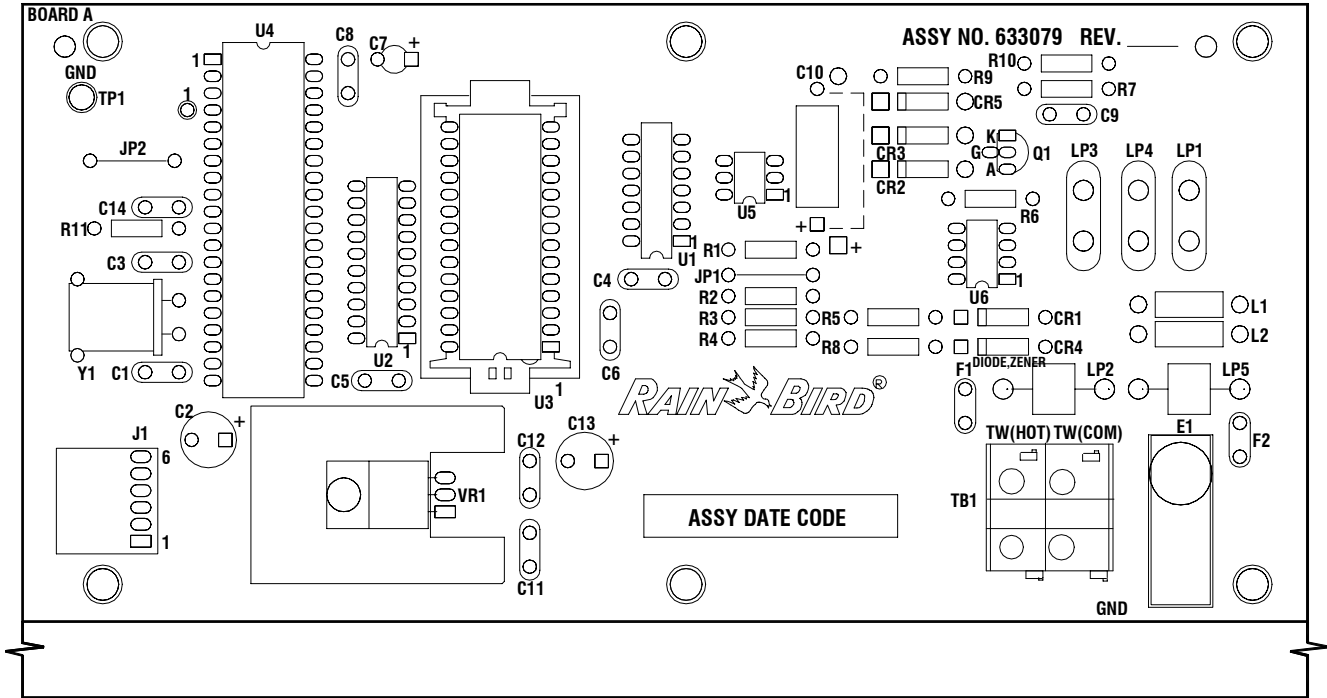
IESP12SAT2S/ IESP16SAT2S/ IESP24SAT2S/ IESP32SAT2S/ IESP40SAT2S  
(STAINLESS STEEL PEDESTAL, INTERNATIONAL, 240 VOLT, 50 Hz)

Ref.	Description	Qty.	12	16	24	32	40
<b>PWB ASSY TERMINAL, CONT.</b>							
L33-40	Inductor, Ferrite Bead	8	-	-	-	-	650300-05
-	Mini Fuse Clips .197 Dia	2	(650308)	(650308)	(650308)	(650308)	(650308)
J3	Connector, DB15S 15Pins	1	(650610-06)	(650610-06)	(650610-06)	(650610-06)	(650610-06)
J4	Connector, DB15S 15Pins	1	-	(650610-06)	(650610-06)	(650610-06)	(650610-06)
J5	Connector, DB15S 15Pins	1	-	-	-	(650610-06)	(650610-06)
J6	Connector, DB15S 15Pins	1	-	-	-	-	(650610-06)
J3	Jack Socket Kit	1	(650620)	(650620)	(650620)	(650620)	(650620)
J4	Jack Socket Kit	1	-	(650620)	(650620)	(650620)	(650620)
J5	Jack Socket Kit	1	-	-	-	(650620)	(650620)
J6	Jack Socket Kit	1	-	-	-	-	(650620)
R1	Resistor, 2%, 2W, .1Ohm	1	(650766-01)	(650766-01)	(650766-01)	(650766-01)	(650766-01)
LP1-8	Mov 20MM 47V, 2000A	10	650796	650796	650796	650796	650796
LP41,42							
LP9-12	Mov 20MM 47V, 2000A	4	650796	650796	650796	650796	650796
LP13-16	Mov 20MM 47V, 2000A	4	-	650796	650796	650796	650796
LP17-24	Mov 20MM 47V, 2000A	8	-	-	650796	650796	650796
LP25-32	Mov 20MM 47V, 2000A	8	-	-	-	650796	650796
LP33-40	Mov 20MM 47V, 2000A	8	-	-	-	-	650796
J1	Header, Polzd., .100Ctrs. 50Pins.	1	(650872-50)	(650872-50)	(650872-50)	(650872-50)	(650872-50)
LP44	Mov 47V, 1000A	1	650875	650875	650875	650875	650875
C1-8	Capacitor Ceramic Axial .01uF, 100V	10	(650882-01)	(650882-01)	(650882-01)	(650882-01)	(650882-01)
C41,42							
C9-12	Capacitor Ceramic Axial .01uF, 100V	4	(650882-01)	(650882-01)	(650882-01)	(650882-01)	(650882-01)
C13-16	Capacitor Ceramic Axial .01uF, 100V	4	-	(650882-01)	(650882-01)	(650882-01)	(650882-01)
C17-24	Capacitor Ceramic Axial .01uF, 100V	8	-	-	(650882-01)	(650882-01)	(650882-01)
C25-32	Capacitor Ceramic Axial .01uF, 100V	8	-	-	-	(650882-01)	(650882-01)
C33-40	Capacitor Ceramic Axial .01uF, 100V	8	-	-	-	-	(650882-01)
-	Mini Fuse .197Dia 2.5 Amp	1	650966-14	650966-14	650966-14	650966-14	650966-14
TB1,2	Terminal Block .300spc 1Pos	16	(651000-01)	(651000-01)	(651000-01)	(651000-01)	(651000-01)
TB3	Terminal Block .300spc 1Pos	8	(651000-01)	(651000-01)	(651000-01)	(651000-01)	(651000-01)
TB4	Terminal Block .300spc 1Pos	8	-	-	(651000-01)	(651000-01)	(651000-01)
TB5	Terminal Block .300spc 1Pos	8	-	-	-	(651000-01)	(651000-01)
TB6	Terminal Block .300spc 1Pos	8	-	-	-	-	(651000-01)
Q1-8	Triac, 6Amps	10	651138	651138	651138	651138	651138
Q41,42							
Q9-12	Triac, 6Amps	4	651138	651138	651138	651138	651138
Q13-16	Triac, 6Amps	4	-	651138	651138	651138	651138
Q17-24	Triac, 6Amps	8	-	-	651138	651138	651138
Q25-32	Triac, 6Amps	8	-	-	-	651138	651138
Q33-40	Triac, 6Amps	8	-	-	-	-	651138
LP43	Mov 50V, 2500A	1	(651272)	(651272)	(651272)	(651272)	(651272)

Note: Part Numbers enclosed in brackets ( ) are not available individually, but may be sold in assemblies or kits.

IESP12SAT2S/ IESP16SAT2S/ IESP24SAT2S/ IESP32SAT2S/ IESP40SAT2S  
 (STAINLESS STEEL PEDESTAL, INTERNATIONAL, 240 VOLT, 50 Hz)

PWB ASSY ESP-MC TWO WIRE



Ref.	Description	Qty.	12	16	24	32	40
<b>PWB ASSY ESP-MCT WO WIRE</b>							
LP2,5	Spark Gap	2	(633079-01)	(633079-01)	(633079-01)	(633079-01)	(633079-01)
-	Label, Bar Code 39	1	(631356-01)	(631356-01)	(631356-01)	(631356-01)	(631356-01)
-	Printed Wiring Board	1	(633080)	(633080)	(633080)	(633080)	(633080)
U3	Prom Carrier Assy	1	633321-04	633321-04	633321-04	633321-04	633321-04
C1,3	Capacitor, Ceramic Disc 30pF,50V	2	(650012-15)	(650012-15)	(650012-15)	(650012-15)	(650012-15)
C4-6, C8,11, C12,14	Capacitor, Ceramic Disc 0.1uF,50V	7	650013-45	650013-45	650013-45	650013-45	650013-45
LP1,3,4	Mov 68V,500A	3	650016	650016	650016	650016	650016
CR1,4	Diode,Zener,500mW,8.2V	2	650038-12	650038-12	650038-12	650038-12	650038-12
C9	Capacitor,Ceramic Disc .001uF,100V	1	(650040-57)	(650040-57)	(650040-57)	(650040-57)	(650040-57)
C10	Capacitor,Electrl Axial 47uF,50V	1	(650046-13)	(650046-13)	(650046-13)	(650046-13)	(650046-13)
U5	IC,Opto—Isolator,Triac MOC3011	1	650070-01	650070-01	650070-01	650070-01	650070-01
CR2,3	Diode,Gen Purpose,1Amp	2	650077-02	650077-02	650077-02	650077-02	650077-02
CR5	Diode,Gen Purpose,1Amp	1	650077-02	650077-02	650077-02	650077-02	650077-02
R1	Resistor,Carbon Film,1/4W 270Ohms	1	(650079-59)	(650079-59)	(650079-59)	(650079-59)	(650079-59)

Note: Part Numbers enclosed in brackets ( ) are not available individually, but may be sold in assemblies or kits.



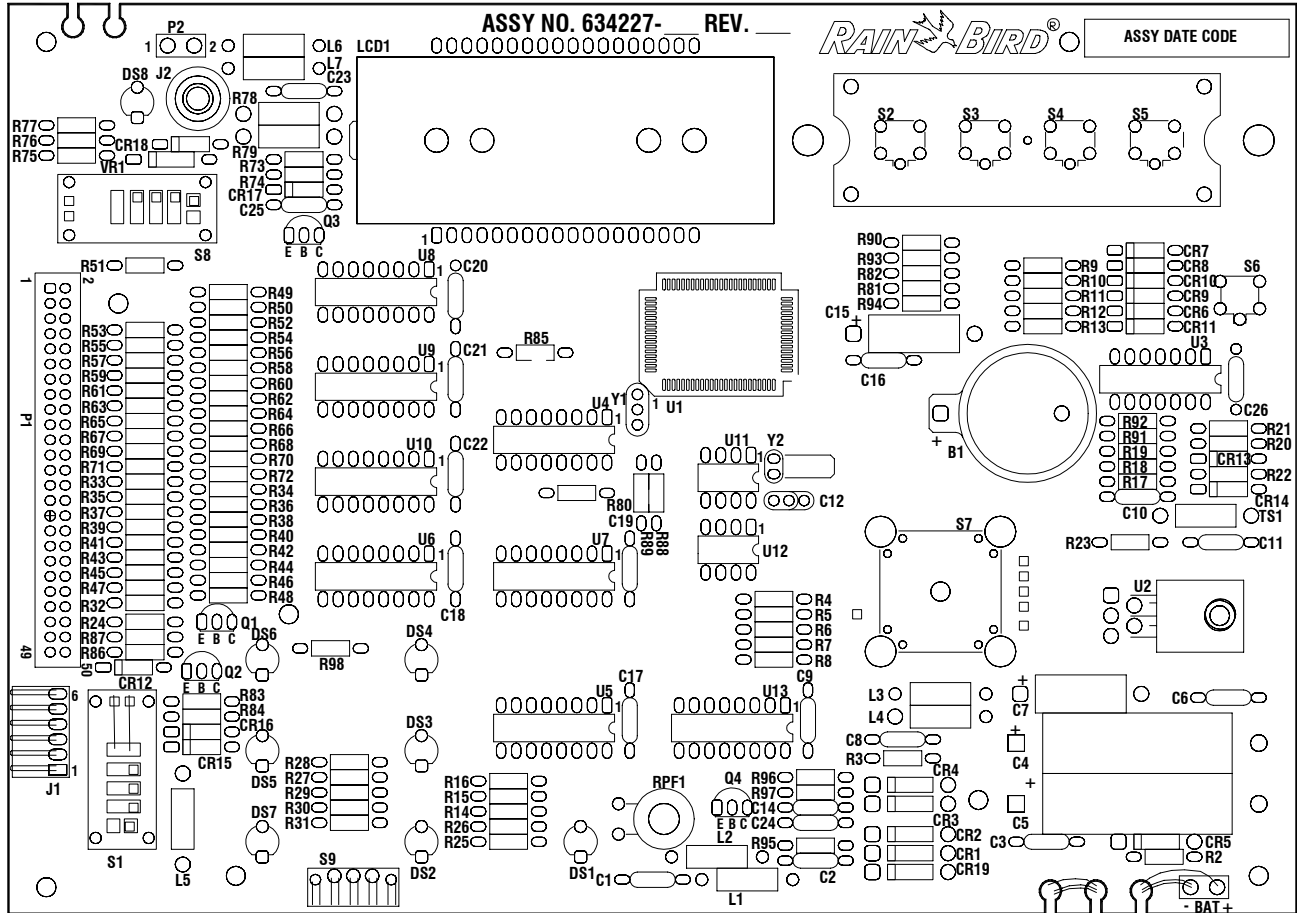
IESP12SAT2S/ IESP16SAT2S/ IESP24SAT2S/ IESP32SAT2S/ IESP40SAT2S  
(STAINLESS STEEL PEDESTAL, INTERNATIONAL, 240 VOLT, 50 Hz)

Ref.	Description	Qty.	12	16	24	32	40
<b>PWB ASSY ESP-MC TWO WIRE, CONT.</b>							
R7,10	Resistor,Carbon Fil,1/4W 1K	2	(650079-73)	(650079-73)	(650079-73)	(650079-73)	(650079-73)
R6	Resistor,carbon Film 1/4W 1.3K	1	(650079-76)	(650079-76)	(650079-76)	(650079-76)	(650079-76)
R9,11	Resistor,Carbon Film,1/4 4.7K	2	650079-89	650079-89	650079-89	650079-89	650079-89
R2,3							
R5,8	Resistor,Carbon Film,1/4W 47K	4	(650080-14)	(650080-14)	(650080-14)	(650080-14)	(650080-14)
R4	Resistor,Carbon Film, 1/4W 100K	1	(650080-22)	(650080-22)	(650080-22)	(650080-22)	(650080-22)
VR1	Heatsink, Grease	.01	(650101)	(650101)	(650101)	(650101)	(650101)
VR1	Rivet,Blind,Domehead .125Dia	1	(650139-05)	(650139-05)	(650139-05)	(650139-05)	(650139-05)
-	Solder	.01	(650160)	(650160)	(650160)	(650160)	(650160)
L1,2	Inductor,Ferrite Bead	2	650300-05	650300-05	650300-05	650300-05	650300-05
VR1	Regulator, +5V	1	650332	650332	650332	650332	650332
VR1	Regulator,Heatsink, to 220	1	(650335)	(650335)	(650335)	(650335)	(650335)
TP1	Test Point, PC Mount	1	(650336-01)	(650336-01)	(650336-01)	(650336-01)	(650336-01)
Q1	SCR	1	650375	650375	650375	650375	650375
U6	Ic,Opto-Coupler, Dual, High Gain	1	650445	650445	650445	650445	650445
U3	Socket, Prom Carrier	1	650518-02	650518-02	650518-02	650518-02	650518-02
U1	Ic,Hex Schmitt Inverter	1	650540	650540	650540	650540	650540
C7	Capacitor,Tantalum,Radial 2.2uF25V	1	650583-03	650583-03	650583-03	650583-03	650583-03
C2,13	Capacitor,Tantalum,Radial 22uF25V	2	650583-09	650583-09	650583-09	650583-09	650583-09
U2	Ic, Octal D-Type Latch	1	650611	650611	650611	650611	650611
JP2	Wire,22Awg,Auto-Inserted .500Lead	1	(650625-03)	(650625-03)	(650625-03)	(650625-03)	(650625-03)
Y1	Wire,22Awg,Auto-Inserted .500Lead	.55	(650625-03)	(650625-03)	(650625-03)	(650625-03)	(650625-03)
Y1	Crystal,Quartz 11.059MHz	1	650721	650721	650721	650721	650721
TB1	Phnx. Terminal Block .300Ctrs. 1 Pos	2	(651000-01)	(651000-01)	(651000-01)	(651000-01)	(651000-01)
J1	Header,Right,Angle .100Ctrs 6 Pins	1	(651005-06)	(651005-06)	(651005-06)	(651005-06)	(651005-06)
U4	Ic, Microprocessor	1	651031	651031	651031	651031	651031
F1,2	Polyswitch, Rxe Series	2	(651055-08)	(651055-08)	(651055-08)	(651055-08)	(651055-08)

Note: Part Numbers enclosed in brackets ( ) are not available individually, but may be sold in assemblies or kits.

IESP12SAT2S/ IESP16SAT2S/ IESP24SAT2S/ IESP32SAT2S/ IESP40SAT2S  
 (STAINLESS STEEL PEDESTAL, INTERNATIONAL, 240 VOLT, 50 Hz)

PWB ASSY ESP-MC ESC-1 CONTROLLER



Ref.	Description	Qty.	12	16	24	32	40
<b>PWB ASSY ESP-MC ESC-1 CONTROLLER</b>			(634227-02)	(634227-03)	(634227-04)	(634227-05)	(634227-06)
S7	Switch Rotary	1	(630609)	(630609)	(630609)	(630609)	(630609)
S8	Switch, Slide	1	(630651)	(630651)	(630651)	(630651)	(630651)
-	Label, Bar Code 39	1	(631356-01)	(631356-01)	(631356-01)	(631356-01)	(631356-01)
LCD1	Spacer, LCD	1	(632046)	(632046)	(632046)	(632046)	(632046)
P2	Sensor Cable	1	(632048-01)	(632048-01)	(632048-01)	(632048-01)	(632048-01)
J2	Spring, Shield .70 Long	1	(632898-01)	(632898-01)	(632898-01)	(632898-01)	(632898-01)
LCD1	Liquid, Crystal Display	1	(633087)	(633087)	(633087)	(633087)	(633087)
U1	Microcomp., Toshiba, OTP	1	(633088)	(633088)	(633088)	(633088)	(633088)
P1	Ribbon Cable Assy 50Ckts	1	(633090)	(633090)	(633090)	(633090)	(633090)
-	Printed Wiring Board	1	(634228)	(634228)	(634228)	(634228)	(634228)
C12	Capacitor, ceramic radial 6pF, 50V	1	(650012-04)	(650012-04)	(650012-04)	(650012-04)	(650012-04)
U2	Washer, Flat, carbon Steel	1	(650023-03)	(650023-03)	(650023-03)	(650023-03)	(650023-03)

Note: Part Numbers enclosed in brackets ( ) are not available individually, but may be sold in assemblies or kits.

IESP12SAT2S/ IESP16SAT2S/ IESP24SAT2S/ IESP32SAT2S/ IESP40SAT2S  
(STAINLESS STEEL PEDESTAL, INTERNATIONAL, 240 VOLT, 50 Hz)

Ref.	Description	Qty.	12	16	24	32	40
<b>PWB ASSY ESP-MC ESC-1 CONTROLLER, CONT.</b>							
CR6	Diode, Switching	1	650037-01	650037-01	650037-01	650037-01	650037-01
CR7	Diode, Switching	1	650037-01	-	650037-01	-	650037-01
CR8	Diode, Switching	1	-	650037-01	650037-01	-	-
CR9	Diode, Switching	1	-	-	-	650037-01	650037-01
CR11-18	Diode, Switching	8	650037-01	650037-01	650037-01	650037-01	650037-01
VR1	Diode, Zener, 500mW, 5.6V	1	(650038-71)	(650038-71)	(650038-71)	(650038-71)	(650038-71)
C7, 15	Capacitor, Electrolytic, Axial 47uF, 10V	2	(650044-03)	(650044-03)	(650044-03)	(650044-03)	(650044-03)
BAT	Battery Snap 9V	1	650075	650075	650075	650075	650075
CR1-5 C19	Diode, Gen Purpose, 1Amp	6	650077-02	650077-02	650077-02	650077-02	650077-02
R23, 85 R98	Resistor, Carbon Film, 1/4W, 10Ohms	2	(650079-25)	(650079-25)	(650079-25)	(650079-25)	(650079-25)
R49-56 R24, 32,	Resistor, Carbon Film 1/4W, 150Ohms	11	(650079-53)	(650079-53)	(650079-53)	(650079-53)	(650079-53)
R57-60	Resistor, Carbon Film 1/4W, 150Ohms	4	(650079-53)	(650079-53)	(650079-53)	(650079-53)	(650079-53)
R61-64	Resistor, Carbon Film 1/4W, 150Ohms	4	-	(650079-53)	(650079-53)	(650079-53)	(650079-53)
R65-72	Resistor, Carbon Film 1/4W, 150Ohms	8	-	-	(650079-53)	(650079-53)	(650079-53)
R33-40	Resistor, Carbon Film 1/4W, 150Ohms	8	-	-	-	(650079-53)	(650079-53)
R41-48	Resistor, Carbon Film 1/4W, 150Ohms	8	-	-	-	-	(650079-53)
R25-31	Resistor, Carbon Film 1/4W 470Ohms	7	(650079-65)	(650079-65)	(650079-65)	(650079-65)	(650079-65)
R17, 95	Resistor, Carbon Film, 1/4W, 1KOhm	2	(650079-73)	(650079-73)	(650079-73)	(650079-73)	(650079-73)
R76	Resistor, Carbon Film, 1/4W, 2KOhms	1	(650079-80)	(650079-80)	(650079-80)	(650079-80)	(650079-80)
R2	Resistor, Carbon Film, 1/4W 3.3KOhms	1	(650079-85)	(650079-85)	(650079-85)	(650079-85)	(650079-85)
R88-90 R84, 87 R20-22	Resistor, Carbon Film, 1/4W, 4.7KOhms	8	650079-89	650079-89	650079-89	650079-89	650079-89
R92	Resistor, Carbon Film, 1/4W, 8.2KOhms	1	(650079-95)	(650079-95)	(650079-95)	(650079-95)	(650079-95)
R19, 91	Resistor, Carbon Film, 1/4W, 10Kohms	2	(650079-97)	(650079-97)	(650079-97)	(650079-97)	(650079-97)
R83, 86 R18, 80	Resistor, Carbon Film, 1/4W, 47KOhms	4	(650080-14)	(650080-14)	(650080-14)	(650080-14)	(650080-14)
R94 R82, 93, R43, 81 R4-16	Resistor, Carbon Film, 1/4W 100Kohms	18	(650080-22)	(650080-22)	(650080-22)	(650080-22)	(650080-22)
R96, 97 R74, 75 R3	Resistor, Carbon Film, 1/4W, 220KOhms	5	(650080-30)	(650080-30)	(650080-30)	(650080-30)	(650080-30)
C20, 24 C16, 17 C10, 14 C3, 8, 9	Capacitor, Ceramic Axial .1uF, 50V	9	(650085-55)	(650085-55)	(650085-55)	(650085-55)	(650085-55)

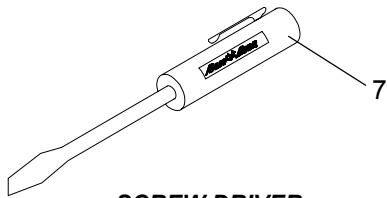
Note: Part Numbers enclosed in brackets ( ) are not available individually, but may be sold in assemblies or kits.

IESP12SAT2S/ IESP16SAT2S/ IESP24SAT2S/ IESP32SAT2S/ IESP40SAT2S  
(STAINLESS STEEL PEDESTAL, INTERNATIONAL, 240 VOLT, 50 Hz)

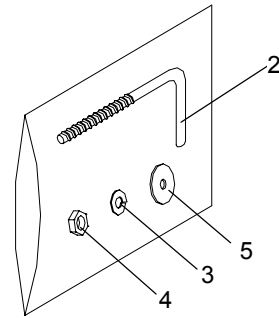
Ref.	Description	Qty.	12	16	24	32	40
<b>PWB ASSY ESP-MC ESC-1 CONTROLLER, CONT.</b>							
C21	Capacitor, Ceramic Axial .1uF, 50V	1	(650085-55)	(650085-55)	(650085-55)	(650085-55)	(650085-55)
C22	Capacitor, Ceramic Axial .1uF, 50V	1	-	-	(650085-55)	(650085-55)	(650085-55)
C18	Capacitor, Ceramic Axial .1uF, 50V	1	-	-	-	(650085-55)	(650085-55)
C19	Capacitor, Ceramic Axial .1uF, 50V	1	-	-	-	-	(650085-55)
U2	Rivet, Blind Dome HD. .125Dia	1	(650139-05)	(650139-05)	(650139-05)	(650139-05)	(650139-05)
R78,79	Resistor, Carbon Film, 1/2W, 1KOhms	2	(650202-73)	(650202-73)	(650202-73)	(650202-73)	(650202-73)
L1-7	Inductor, Ferrite Bead	7	650300-05	650300-05	650300-05	650300-05	650300-05
U3	IC Quad OP Amp	1	650358	650358	650358	650358	650358
Q3,4	Transistor, NPN, 624mW	2	650367	650367	650367	650367	650367
Q1,2	Transistor, PNP	2	650369	650369	650369	650369	650369
Y2	Crystal, Quartz 32.768KHz	1	(650484)	(650484)	(650484)	(650484)	(650484)
TS1	Transient Suppressor 6.8V	1	(650595-01)	(650595-01)	(650595-01)	(650595-01)	(650595-01)
C5	Capacitor, Electrolytic, Axial 330uF, 25V	1	(650624)	(650624)	(650624)	(650624)	(650624)
U4	3-8 Line Decoder	1	650699	650699	650699	650699	650699
S2,3,4 S5,6	Switch, Pushbutton	5	(650748)	(650748)	(650748)	(650748)	(650748)
C23,25 C1,2,11	Capacitor, ceramic Axial .01uF, 100V	5	(650882-01)	(650882-01)	(650882-01)	(650882-01)	(650882-01)
C6	Capacitor, NPO, Axial 10pF, 100V	1	(650883-13)	(650883-13)	(650883-13)	(650883-13)	(650883-13)
C26	Capacitor, NPO, Axial 220pF, 100V	1	(650883-17)	(650883-17)	(650883-17)	(650883-17)	(650883-17)
U5,8	8Bit Addressable Latch	2	650889	650889	650889	650889	650889
U9	8Bit Addressable Latch	1	650889	650889	650889	650889	650889
U10	8Bit Addressable Latch	1	-	-	650889	650889	650889
U6	8Bit Addressable Latch	1	-	-	-	650889	650889
U7	8Bit Addressable Latch	1	-	-	-	-	650889
DS1-8	Led, red, .200Ctrs.	8	650910	650910	650910	650910	650910
U2	Regulator, Low Dropout	1	(650962)	(650962)	(650962)	(650962)	(650962)
J2	Eyelet, Spring	1	(650985)	(650985)	(650985)	(650985)	(650985)
J1	Header, Polzd. Radial, .100Ctrs 6Pins	1	(651005-06)	(651005-06)	(651005-06)	(651005-06)	(651005-06)
B1	Battery, Lithium	1	(651009)	(651009)	(651009)	(651009)	(651009)
B1	Holder, Battery Coin	1	(651010)	(651010)	(651010)	(651010)	(651010)
U11	IC, Real Time Clock	1	(651011)	(651011)	(651011)	(651011)	(651011)
U12	IC, EEPROM-4K Byte, Serial	1	(651012)	(651012)	(651012)	(651012)	(651012)
Y1	Resonator, ceramic 8.00MHz	1	(651013)	(651013)	(651013)	(651013)	(651013)
U13	IC, 8Bit Input Mux	1	(651014)	(651014)	(651014)	(651014)	(651014)
C4	Capacitor, Electrolytic, Axial 1000uF, 25V	1	(651054-12)	(651054-12)	(651054-12)	(651054-12)	(651054-12)
RPF1	Polyswitch, RXE, 60V, .65A	1	(651055-08)	(651055-08)	(651055-08)	(651055-08)	(651055-08)
S9	Switch Slide	1	(651292)	(651292)	(651292)	(651292)	(651292)

Note: Part Numbers enclosed in brackets ( ) are not available individually, but may be sold in assemblies or kits.

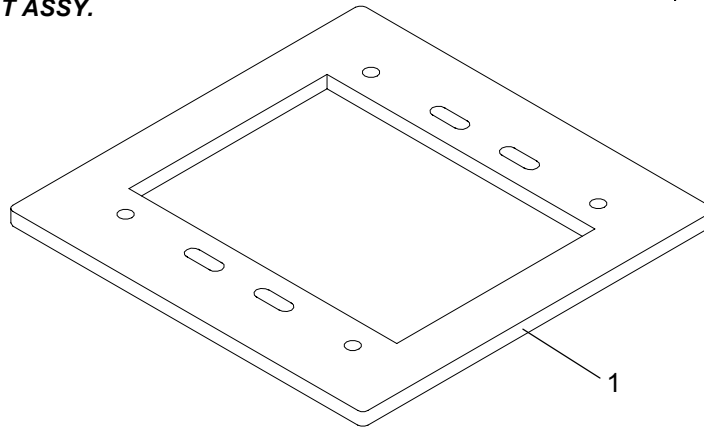
IESP12SAT2S/ IESP16SAT2S/ IESP24SAT2S/ IESP32SAT2S/ IESP40SAT2S  
 (STAINLESS STEEL PEDESTAL, INTERNATIONAL, 240 VOLT, 50 Hz)



**SCREW DRIVER  
POCKET FLAT ASSY.**



**MOUNTING  
HARDWARE**



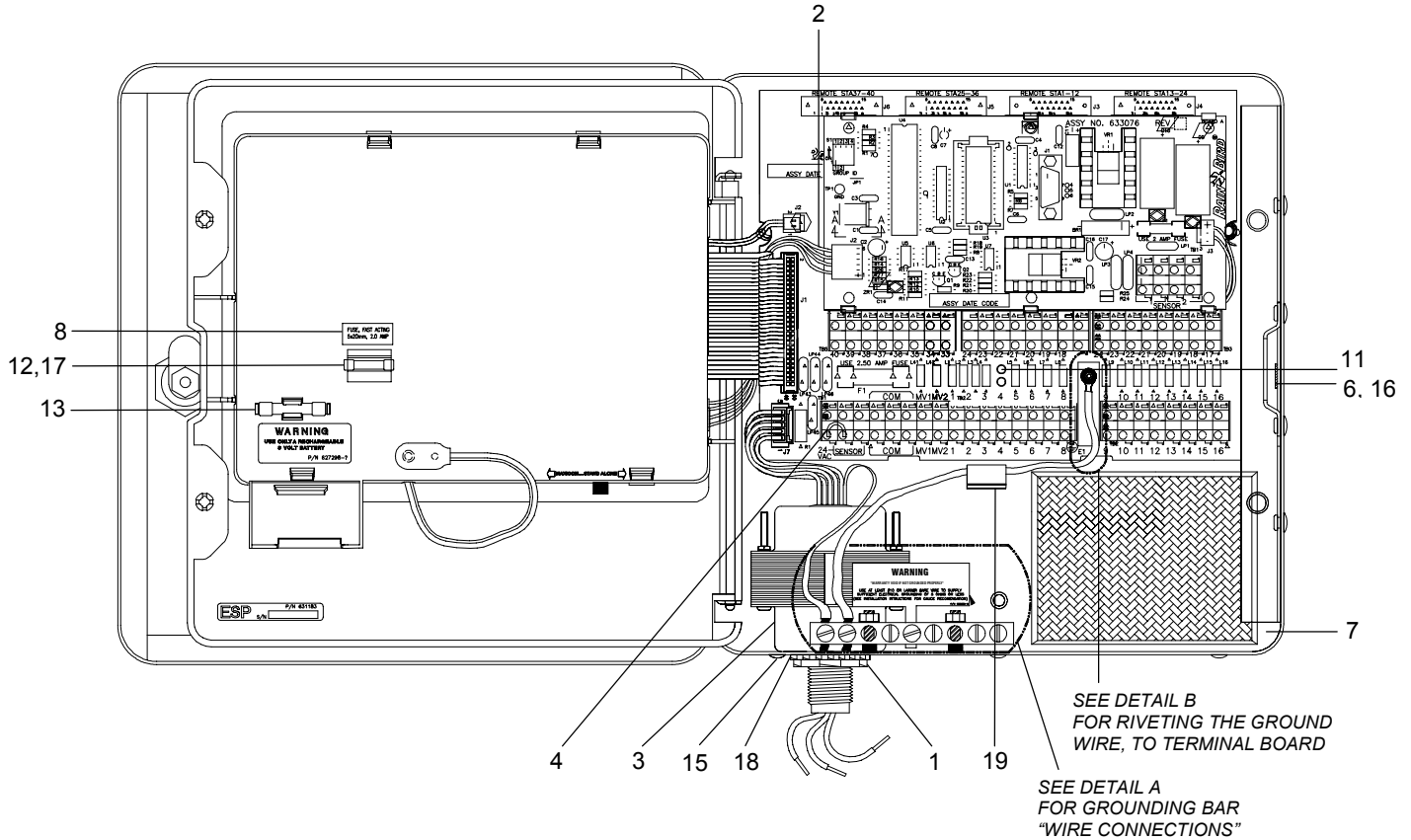
**TEMPLATE MOUNTING**

Ref.	Description	Qty.	12	16	24	32	40
<b>ACCESSORIES</b>							
-	Bag, Poly 6x8	2	(601846)	(601846)	(601846)	(601846)	(601846)
1	Template Mounting Plastic	1	629602	629602	629602	629602	629602
	Card, Customer Registration-Tm	1	(632354)	(632354)	(632354)	(632354)	(632354)
-	Mounting Hardware						
2	Bolt Anchor	4	629557	629557	629557	629557	629557
3	Washer 5/16 Lock-Spring	4	(650029-07)	(650029-07)	(650029-07)	(650029-07)	(650029-07)
4	Nut, Hex 5/16	4	(650033-07)	(650033-07)	(650033-07)	(650033-07)	(650033-07)
5	Washer Flat 5/6 Type B	4	(650441)	(650441)	(650441)	(650441)	(650441)
-	Instructions, Installation & Oper	1	633686	633686	633686	633686	633686
-	Guide, Operations Addendum	1	(633942)	(633942)	(633942)	(633942)	(633942)
-	Grounding Int. Addendum Ss Cont	1	(635009)	(635009)	(635009)	(635009)	(635009)
6	Assy, Screw Driver Pocket Flat	1	(650810)	(650810)	(650810)	(650810)	(650810)
-	Label, Screw Driver	1	(635095)	(635095)	(635095)	(635095)	(635095)
-	Screw Driver Pocket Flat Blade	1	(651475)	(651475)	(651475)	(651475)	(651475)
-	Bag, Zip Lock, Plastic 2.5x3	1	(650924-01)	(650924-01)	(650924-01)	(650924-01)	(650924-01)
-	Battery, Nicad 7.2V	1	650929	650929	650929	650929	650929

Note: Part Numbers enclosed in brackets ( ) are not available individually, but may be sold in assemblies or kits.

ESP12SATLW/ ESP16SATLW/ ESP24SATLW/ ESP32SATLW/ ESP40SATLW  
 (LINK, METAL WALL MOUNT, 120 VOLT, 60 Hz)

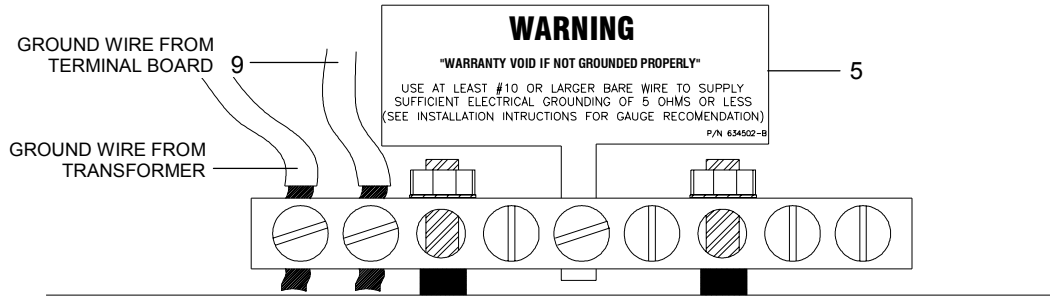
CONTROLLER ASSEMBLY



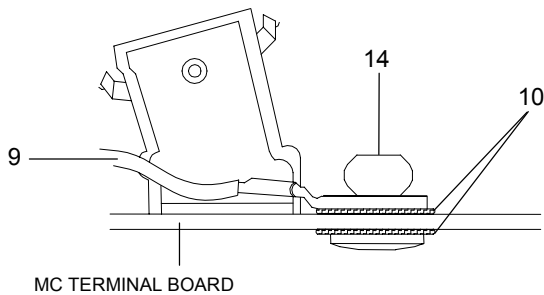
Ref.	Description	Qty.	12	16	24	32	40
<b>CONTROLLER ASSEMBLY</b>			(633508-02)	(633508-03)	(633508-04)	(633508-05)	(633508-06)
1	Locknut Conduit	1	(628013)	(628013)	(628013)	(628013)	(628013)
2	Cable Assy, 2Wire/Link Intfc-Mc	1	(633132)	(633132)	(633132)	(633132)	(633132)
3	Xfmr Assy, Link, 120V	1	633165-01	633165-01	633165-01	633165-01	633165-01
4	Sensor Jumper Wire	1	(633442)	(633442)	(633442)	(633442)	(633442)
5	Label Warning Grounding	1	(634502)	(634502)	(634502)	(634502)	(634502)
6	Label, Warning Corrosion Inhib	1	(634558)	(634558)	(634558)	(634558)	(634558)
7	Parts Box Wm Cabinets	1	(634612)	(634612)	(634612)	(634612)	(634612)
8	Label, Fuse 2.0 Amp.	1	(634616)	(634616)	(634616)	(634616)	(634616)
9	Ground Wire Assy 12 Awg (11)	1	(634943-11)	(634943-11)	(634943-11)	(634943-11)	(634943-11)
-	Label, Keyhole	2	(635011)	(635011)	(635011)	(635011)	(635011)
10	Wshr Lk, #10, Ext-Tooth, Z-Pltd	2	(650162-04)	(650162-04)	(650162-04)	(650162-04)	(650162-04)

Note: Part Numbers enclosed in brackets ( ) are not available individually, but may be sold in assemblies or kits.

ESP12SATLW/ ESP16SATLW/ ESP24SATLW/ ESP32SATLW/ ESP40SATLW  
 (LINK, METAL WALL MOUNT, 120 VOLT, 60 Hz)



**DETAIL A**  
 VIEWED FROM OUTSIDE  
 OF THE CONTROLLER



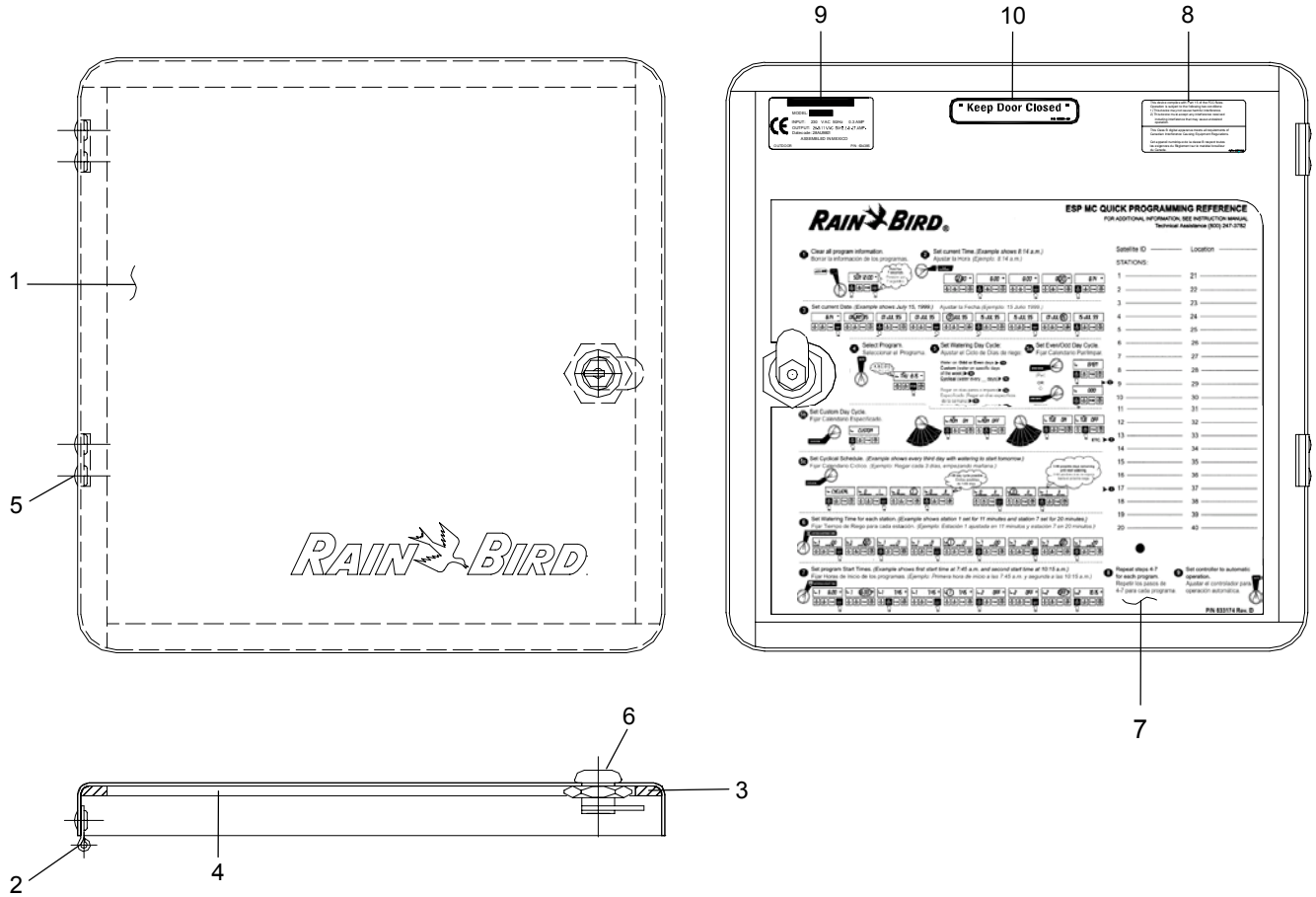
**DETAIL B**  
 VIEWED FROM RIGHT SIDE  
 OF THE CONTROLLER

Ref.	Description	Qty.	12	16	24	32	40
<b>CONTROLLER ASSEMBLY, CONT.</b>							
11	Screw Phl Pnh Hi-Lo 7-19x1/2	3	(650183-63)	(650183-63)	(650183-63)	(650183-63)	(650183-63)
12	Fuse 5x20MM 2 Amp	1	(650307-03)	(650307-03)	(650307-03)	(650307-03)	(650307-03)
13	Fuse, Slowblow, 250V, 2-1/2 Amp	1	(650431-28)	(650431-28)	(650431-28)	(650431-28)	(650431-28)
14	Rivet, Blind 0.19	1	(650434-13)	(650434-13)	(650434-13)	(650434-13)	(650434-13)
15	Plug, Hole .250,Nyl, White	5	(650485-04)	(650485-04)	(650485-04)	(650485-04)	(650485-04)
-	Spacer, Circuit Board, Edge Hold	6	(650912-10)	(650912-10)	(650912-10)	(650912-10)	(650912-10)
16	Impregnated Foam Corrosion Inh	1	(651331)	(651331)	(651331)	(651331)	(651331)
17	Holder Fuse	1	(651384)	(651384)	(651384)	(651384)	(651384)
18	Lock Washer, External Tooth	1	(651389)	(651389)	(651389)	(651389)	(651389)
19	Wire Clip With Adhesive	1	(651446-02)	(651446-02)	(651446-02)	(651446-02)	(651446-02)

Note: Part Numbers enclosed in brackets ( ) are not available individually, but may be sold in assemblies or kits.

ESP12SATLW/ ESP16SATLW/ ESP24SATLW/ ESP32SATLW/ ESP40SATLW  
(LINK, METAL WALL MOUNT, 120 VOLT, 60 Hz)

DOOR ASSEMBLY



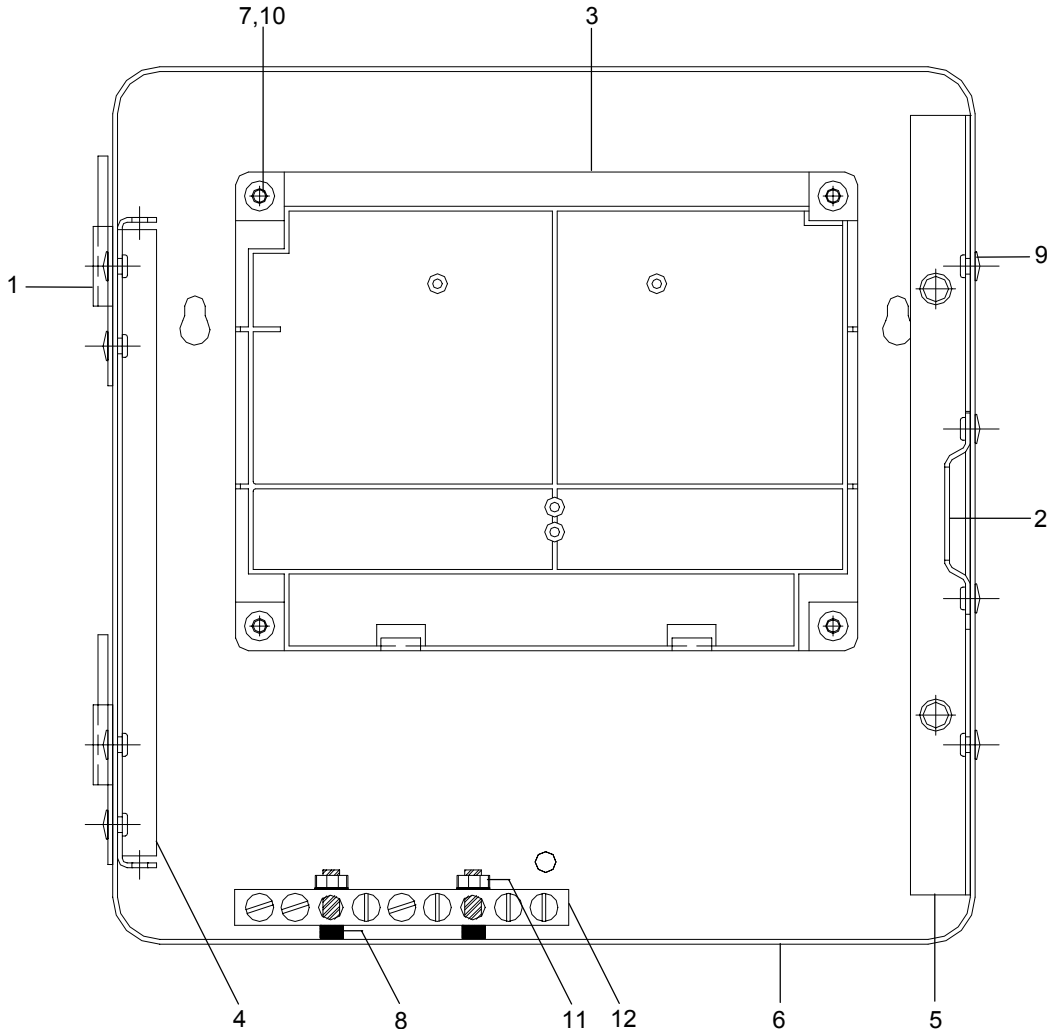
Ref.	Description	Qty.	12	16	24	32	40
<b>DOOR ASSEMBLY</b>			(633173-05)	(633173-05)	(633173-05)	(633173-05)	(633173-05)
-	Door Assy, Gray Dep	1	629321-03	629321-03	629321-03	629321-03	629321-03
1	Door, Painted Gray	1	(629113-03)	(629113-03)	(629113-03)	(629113-03)	(629113-03)
2	Hinge Slip Joint F	2	(629227-02)	(629227-02)	(629227-02)	(629227-02)	(629227-02)
3	Gasket Foam 10.63	2	(629620-01)	(629620-01)	(629620-01)	(629620-01)	(629620-01)
4	Gasket Foam 10.43	2	(629620-02)	(629620-02)	(629620-02)	(629620-02)	(629620-02)
5	Rivet Semi Tubular Oval A	4	(650401)	(650401)	(650401)	(650401)	(650401)
6	Lock, Cam	1	650755	650755	650755	650755	650755
7	Label/Envelope	1	(633174)	(633174)	(633174)	(633174)	(633174)
8	Label, Fcc Compliance	1	(633662)	(633662)	(633662)	(633662)	(633662)
9	Label, Rating	1	(634385-07)	(634385-07)	(634385-07)	(634385-07)	(634385-07)
10	Label, Keep Door Closed	1	(634501)	(634501)	(634501)	(634501)	(634501)

Note: Part Numbers enclosed in brackets ( ) are not available individually, but may be sold in assemblies or kits.



ESP12SATLW/ ESP16SATLW/ ESP24SATLW/ ESP32SATLW/ ESP40SATLW  
 (LINK, METAL WALL MOUNT, 120 VOLT, 60 Hz)

CABINET ASSEMBLY

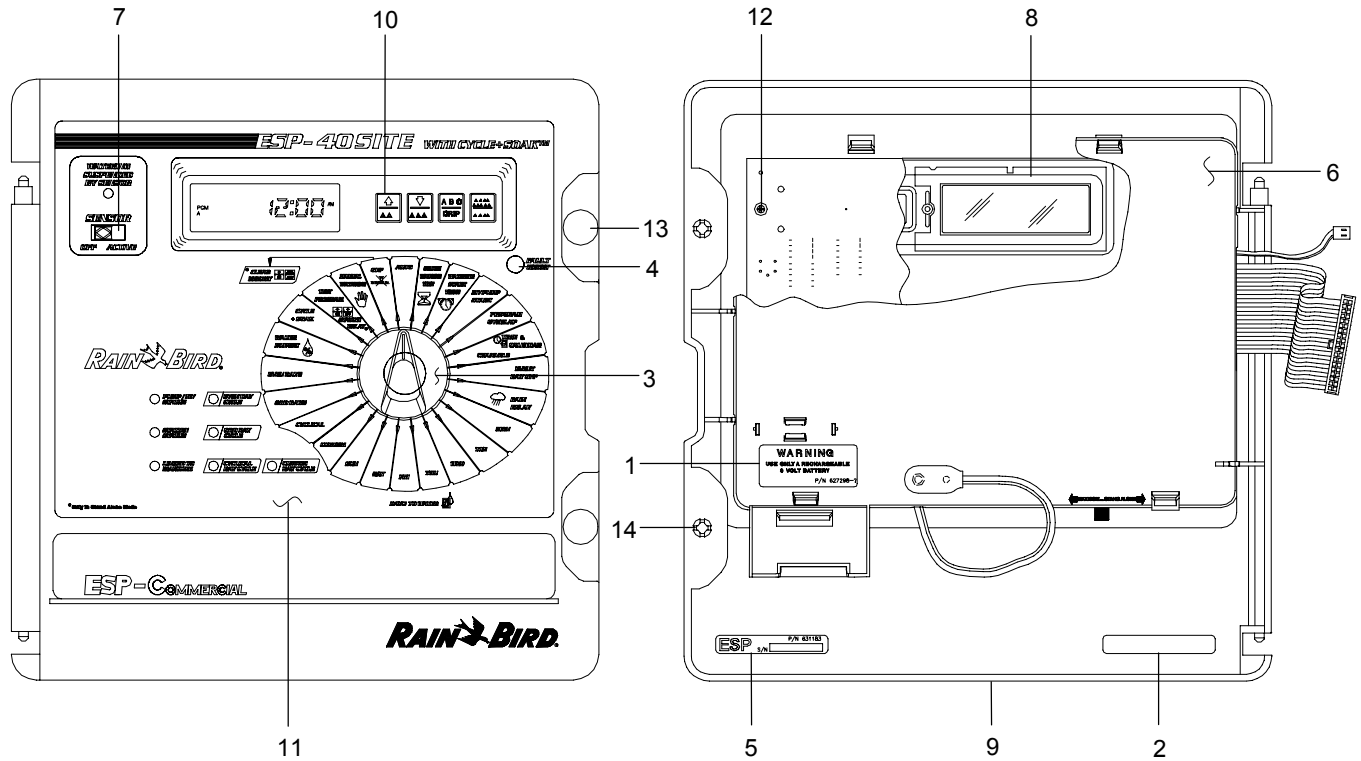


Ref.	Description	Qty.	12	16	24	32	40
<b>CABINET ASSEMBLY</b>			(633166-01)	(633166-01)	(633166-01)	(633166-01)	(633166-01)
1	Hinge Slip Joint M	2	(629227-01)	(629227-01)	(629227-01)	(629227-01)	(629227-01)
2	Strike Lock	1	(629234)	(629234)	(629234)	(629234)	(629234)
3	Spacer, Terminal Board	1	(631919)	(631919)	(631919)	(631919)	(631919)
4	Rail, Hinge	1	(631921)	(631921)	(631921)	(631921)	(631921)
5	Rail, Mounting Paragon	1	(631922)	(631922)	(631922)	(631922)	(631922)
6	Cabinet Draw Formed	1	(634126-03)	(634126-03)	(634126-03)	(634126-03)	(634126-03)
7	Washer, Flat #10 .032	4	(650023-13)	(650023-13)	(650023-13)	(650023-13)	(650023-13)
8	Nut, Pl, Hex, #8-32, Cres, Psvtd	2	(650033-04)	(650033-04)	(650033-04)	(650033-04)	(650033-04)
9	Rivet Semi Tubular Oval A	8	(650401)	(650401)	(650401)	(650401)	(650401)
10	Rivet, Blid 0.19	4	(650434-13)	(650434-13)	(650434-13)	(650434-13)	(650434-13)
11	Nut, #8-32 Hex W/Star Washer	2	(650634-04)	(650634-04)	(650634-04)	(650634-04)	(650634-04)
12	Bar Bus Grounding	1	(651440)	(651440)	(651440)	(651440)	(651440)

Note: Part Numbers enclosed in brackets ( ) are not available individually, but may be sold in assemblies or kits.

ESP12SATLW/ ESP16SATLW/ ESP24SATLW/ ESP32SATLW/ ESP40SATLW  
 (LINK, METAL WALL MOUNT, 120 VOLT, 60 Hz)

FRONT PANEL ASSEMBLY

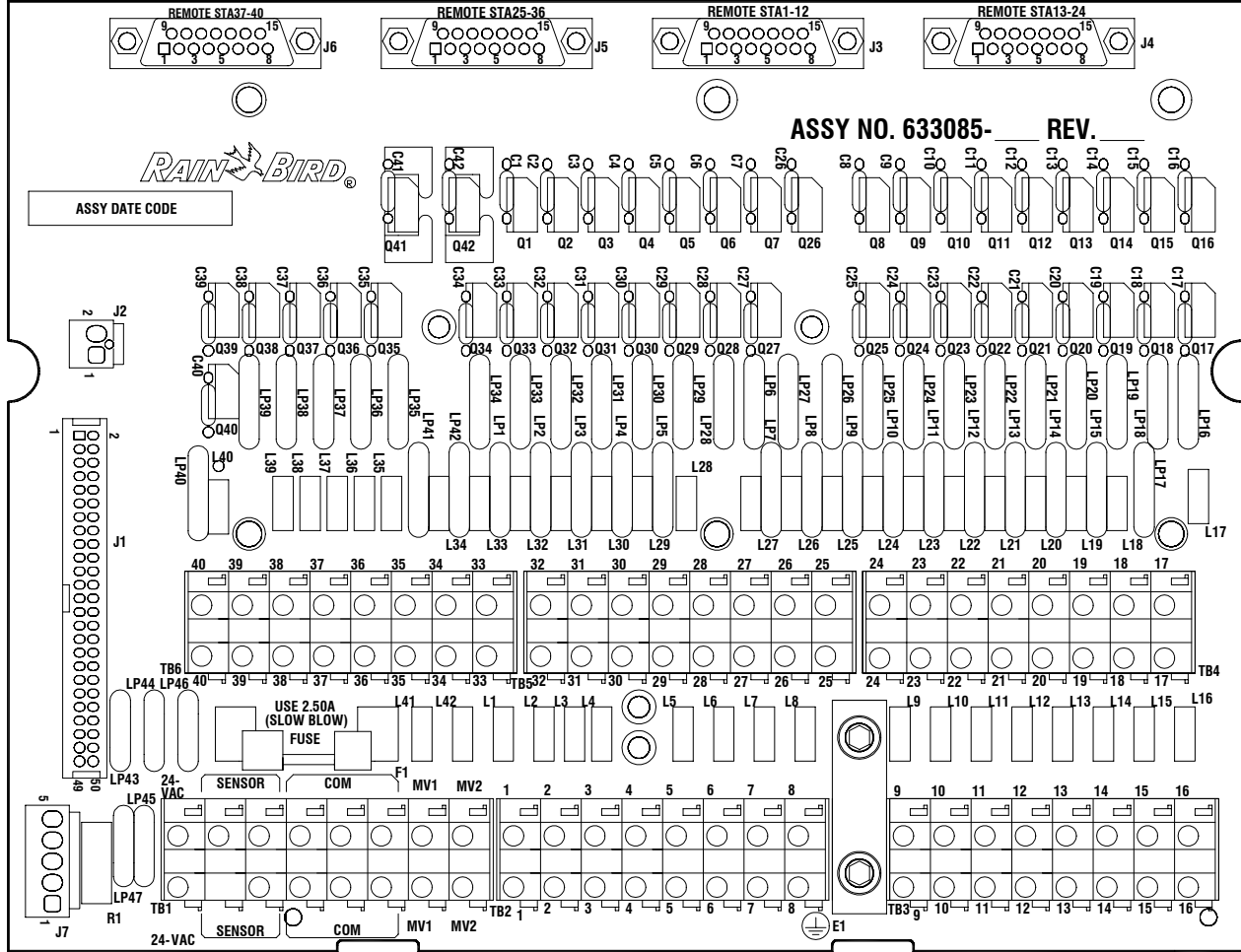


Ref.	Description	Qty.	12	16	24	32	40
<b>FRONT PANEL ASSEMBLY</b>			(633461-02)	(633461-03)	(633461-04)	(633461-05)	(633461-06)
1	Label Warning Cic 8/12	1	(627298)	(627298)	(627298)	(627298)	(627298)
2	Label Date Code	1	(627867)	(627867)	(627867)	(627867)	(627867)
3	Func Select Knob Assy, Gray	1	630946	630946	630946	630946	630946
-	Esp Func Select Knob, Gray	1	(630947)	(630947)	(630947)	(630947)	(630947)
-	Ring Compression	1	(650505-06)	(650505-06)	(650505-06)	(650505-06)	(650505-06)
4	Button, Tm Pb Switch	1	(631136)	(631136)	(631136)	(631136)	(631136)
5	Label, Serial	1	(631183)	(631183)	(631183)	(631183)	(631183)
6	Cover, Pwb	1	(631920)	(631920)	(631920)	(631920)	(631920)
7	Switch, Actuator- Paragon	1	(632510)	(632510)	(632510)	(632510)	(632510)
8	Lens, Lcd-Esp-C-Lx	1	632700	632700	632700	632700	632700
9	Fp/Shield Assy-Esp-C	1	(632906)	(632906)	(632906)	(632906)	(632906)
-	Front Panel Esp-Mc	1	(631918)	(631918)	(631918)	(631918)	(631918)
-	Shield, Front Panel-Esp-C	1	(632897)	(632897)	(632897)	(632897)	(632897)
10	Keypad, Silicone	1	(632908)	(632908)	(632908)	(632908)	(632908)
11	Overlay, Fr Panel	1	(633324-02)	(633324-03)	(633324-04)	(633324-05)	(633324-06)
12	Screw, 4-24 x 5/16 Hi-Lo W/Wshr	5	(650563-23)	(650563-23)	(650563-23)	(650563-23)	(650563-23)
13	Lock, Plunger	2	(650927-02)	(650927-02)	(650927-02)	(650927-02)	(650927-02)
14	Lock, Grommet	2	(650928-02)	(650928-02)	(650928-02)	(650928-02)	(650928-02)

Note: Part Numbers enclosed in brackets ( ) are not available individually, but may be sold in assemblies or kits.

ESP12SATLW/ ESP16SATLW/ ESP24SATLW/ ESP32SATLW/ ESP40SATLW  
(LINK, METAL WALL MOUNT, 120 VOLT, 60 Hz)

PWB ASSY TERMINAL



Ref.	Description	Qty.	12	16	24	32	40
<b>PWB ASSY TERMINAL</b>							
			(633085-02)	(633085-03)	(633085-04)	(633085-05)	(633085-06)
LP45,47	Mov 56V, 1000A	2	624624	624624	624624	624624	624624
LP46	Mov 56V, 1000A	1	624624	624624	624624	624624	624624
-	Label bar code 39	1	(631356-01)	(631356-01)	(631356-01)	(631356-01)	(631356-01)
-	Printed Wiring Board	1	(633086)	(633086)	(633086)	(633086)	(633086)
-	Fuse clip	2	(650098)	(650098)	(650098)	(650098)	(650098)
-	Solder	.01	(650160)	(650160)	(650160)	(650160)	(650160)
L41,42 L1-8	Inductor Ferrite Bead	10	650300-05	650300-05	650300-05	650300-05	650300-05
L9-12	Inductor Ferrite Bead	4	650300-05	650300-05	650300-05	650300-05	650300-05
L13-16	Inductor Ferrite Bead	4	-	650300-05	650300-05	650300-05	650300-05
L9-12	Inductor Ferrite Bead	4	650300-05	650300-05	650300-05	650300-05	650300-05

Note: Part Numbers enclosed in brackets ( ) are not available individually, but may be sold in assemblies or kits.

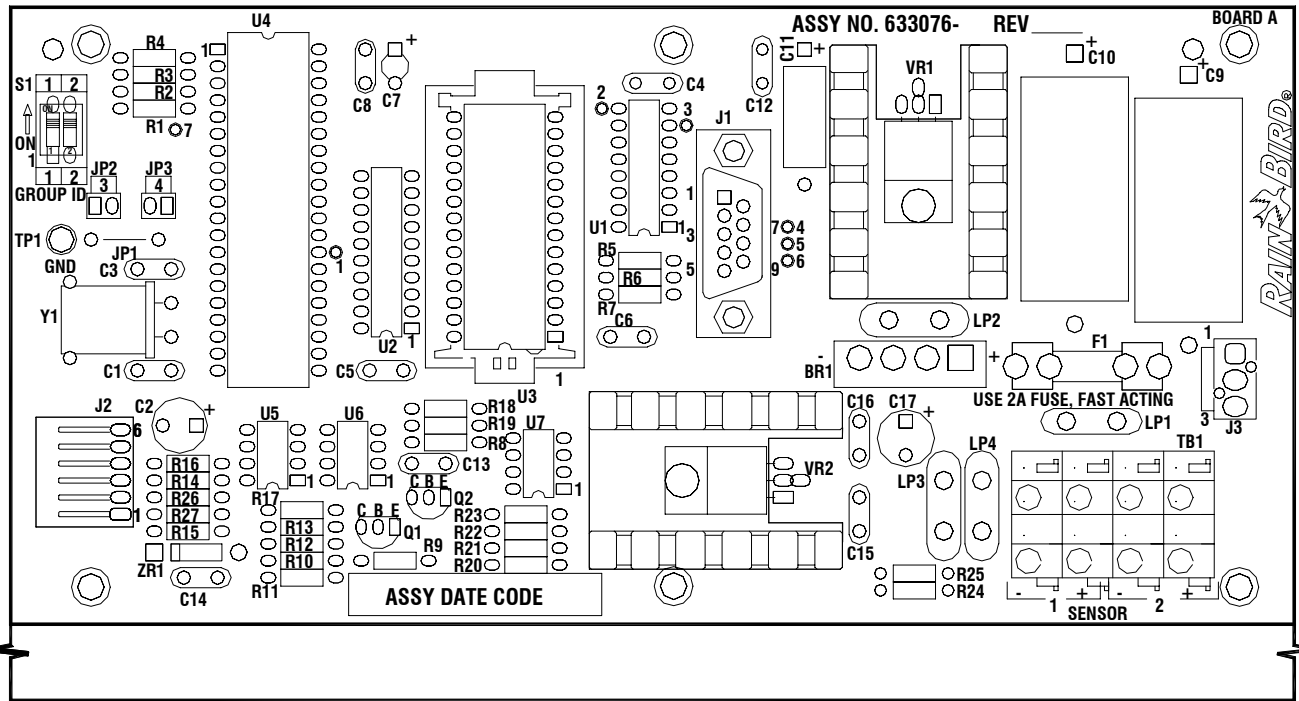
ESP12SATLW/ ESP16SATLW/ ESP24SATLW/ ESP32SATLW/ ESP40SATLW  
(LINK, METAL WALL MOUNT, 120 VOLT, 60 Hz)

Ref.	Description	Qty.	12	16	24	32	40
<b>PWB ASSY TERMINAL, CONT.</b>							
L13-16	Inductor Ferrite Bead	4	-	650300-05	650300-05	650300-05	650300-05
L17-24	Inductor Ferrite Bead	8	-	-	650300-05	650300-05	650300-05
L25-32	Inductor Ferrite Bead	8	-	-	-	650300-05	650300-05
L33-40	Inductor Ferrite Bead	8	-	-	-	-	650300-05
-	Fuse 2.5Amp	1	(650431-28)	(650431-28)	(650431-28)	(650431-28)	(650431-28)
J3	Connector, DB15S 15 Pins	1	(650610-06)	(650610-06)	(650610-06)	(650610-06)	(650610-06)
J4	Connector, DB15S 15 Pins	1	-	(650610-06)	(650610-06)	(650610-06)	(650610-06)
J5	Connector, DB15S 15 Pins	1	-	-	-	(650610-06)	(650610-06)
J6	Connector, DB15S 15 Pins	1	-	-	-	-	(650610-06)
J3	Jack Socket Kit	1	(650620)	(650620)	(650620)	(650620)	(650620)
J4	Jack Socket Kit	1	-	(650620)	(650620)	(650620)	(650620)
J5	Jack Socket Kit	1	-	-	-	(650620)	(650620)
J6	Jack Socket Kit	1	-	-	-	-	(650620)
R1	Resistor, 2% 2W 0.1Ohms	1	(650766-01)	(650766-01)	(650766-01)	(650766-01)	(650766-01)
LP1-8							
LP41,42	Mov 20MM 47V, 2000A	10	650796	650796	650796	650796	650796
LP9-12	Mov 20MM 47V, 2000A	4	650796	650796	650796	650796	650796
LP13-16	Mov 20MM 47V, 2000A	4	-	650796	650796	650796	650796
LP17-24	Mov 20MM 47V, 2000A	8	-	-	650796	650796	650796
LP25-32	Mov 20MM 47V, 2000A	8	-	-	-	650796	650796
LP33-40	Mov 20MM 47V, 2000A	8	-	-	-	-	650796
J1	Header, Polzd., .100Ctrs. 50Pins	1	(650872-50)	(650872-50)	(650872-50)	(650872-50)	(650872-50)
LP44	Mov 47V. 1000A	1	650875	650875	650875	650875	650875
C1-8 C41,42	Capacitor, Ceramic Axial .01uF,100V	10	(650882-01)	(650882-01)	(650882-01)	(650882-01)	(650882-01)
C9-12	Capacitor, Ceramic Axial .01uF,100V	4	(650882-01)	(650882-01)	(650882-01)	(650882-01)	(650882-01)
C13-16	Capacitor, Ceramic Axial .01uF,100V	4	-	(650882-01)	(650882-01)	(650882-01)	(650882-01)
C17-24	Capacitor, Ceramic Axial .01uF,100V	8	-	-	(650882-01)	(650882-01)	(650882-01)
C25-32	Capacitor, Ceramic Axial .01uF,100V	8	-	-	-	(650882-01)	(650882-01)
C33-40	Capacitor, Ceramic Axial .01uF,100V	8	-	-	-	-	(650882-01)
J2	Header, Polzd., .156Ctrs. 2Pins	1	(650893-02)	(650893-02)	(650893-02)	(650893-02)	(650893-02)
J7	Header, Polzd., .156Ctrs. 5Pins	1	(650893-05)	(650893-05)	(650893-05)	(650893-05)	(650893-05)
TB1,2	Terminal Blk. .300SPC 1Pos	16	(651000-01)	(651000-01)	(651000-01)	(651000-01)	(651000-01)
TB3	Terminal Blk. .300SPC 1Pos	8	(651000-01)	(651000-01)	(651000-01)	(651000-01)	(651000-01)
TB4	Terminal Blk. .300SPC 1Pos	8	-	-	(651000-01)	(651000-01)	(651000-01)
TB5	Terminal Blk. .300SPC 1Pos	8	-	-	-	(651000-01)	(651000-01)
TB6	Terminal Blk. .300SPC 1Pos	8	-	-	-	-	(651000-01)
Q1-8 Q41,42	Triac, 6Amps	10	651138	651138	651138	651138	651138
Q9-12	Triac, 6Amps	4	651138	651138	651138	651138	651138
Q13-16	Triac, 6Amps	4	-	651138	651138	651138	651138
Q17-24	Triac, 6Amps	8	-	-	651138	651138	651138
Q25-32	Triac, 6Amps	8	-	-	-	651138	651138
Q33-40	Triac, 6Amps	8	-	-	-	-	651138
LP43	Mov 50V, 2500A	1	(651272)	(651272)	(651272)	(651272)	(651272)

Note: Part Numbers enclosed in brackets ( ) are not available individually, but may be sold in assemblies or kits.

ESP12SATLW/ ESP16SATLW/ ESP24SATLW/ ESP32SATLW/ ESP40SATLW  
(LINK, METAL WALL MOUNT, 120 VOLT, 60 Hz)

PWB ASSY ESP-MC LINK



Ref.	Description	Qty.	12	16	24	32	40
<b>PWB ASSY ESP-MC LINK</b>							
S1	Dip Switch, Spst	1	(631012-02)	(631012-02)	(631012-02)	(631012-02)	(631012-02)
-	Label, bar Code 39	1	(631356-01)	(631356-01)	(631356-01)	(631356-01)	(631356-01)
-	Printed Wiring Board	1	(633077)	(633077)	(633077)	(633077)	(633077)
U3	Prom Carrier Assy	1	633323-03	633323-03	633323-03	633323-03	633323-03
-	Label, Mat. Brady .375 x 1.00	1	(632347-02)	(632347-02)	(632347-02)	(632347-02)	(632347-02)
-	Carrier Ic 28 Pin	1	(650517-02)	(650517-02)	(650517-02)	(650517-02)	(650517-02)
-	Ic 27c256, Dip Eprom	1	(650715)	(650715)	(650715)	(650715)	(650715)
C1,3	Capacitor, Ceramic Disc 30pF, 50V	2	(650012-15)	(650012-15)	(650012-15)	(650012-15)	(650012-15)
C4-6,8	Capacitor, Ceramic Disc 0.1uF, 50V	8	650013-45	650013-45	650013-45	650013-45	650013-45
C12,14	Capacitor, Ceramic Disc .01uF, 50V	1	(650014-27)	(650014-27)	(650014-27)	(650014-27)	(650014-27)
C15,16	Capacitor, Ceramic Disc .01uF, 50V	1	(650014-27)	(650014-27)	(650014-27)	(650014-27)	(650014-27)
LP1-4	Mov 33V, 500A	4	650015	650015	650015	650015	650015

Note: Part Numbers enclosed in brackets ( ) are not available individually, but may be sold in assemblies or kits.

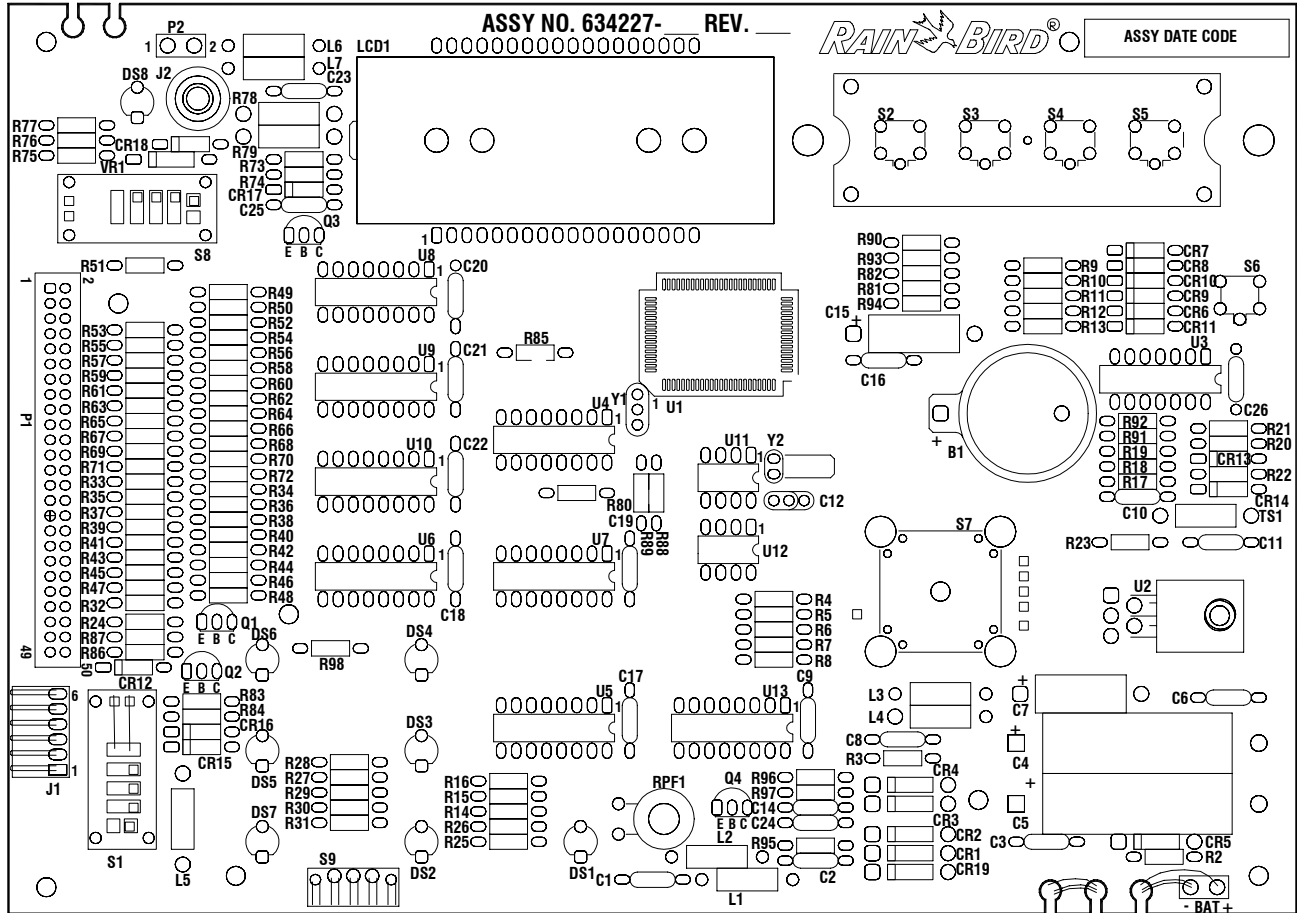
ESP12SATLW/ ESP16SATLW/ ESP24SATLW/ ESP32SATLW/ ESP40SATLW  
(LINK, METAL WALL MOUNT, 120 VOLT, 60 Hz)

Ref.	Description	Qty.	12	16	24	32	40
<b>PWB ASSY ESP-MC LINK, CONT.</b>							
ZR1	Diode Zener	1	(650038-70)	(650038-70)	(650038-70)	(650038-70)	(650038-70)
C11	Capacitor,Electrl,Axial 47uF,25V	1	(650045-08)	(650045-08)	(650045-08)	(650045-08)	(650045-08)
R14	Resistor,Carbon Film,1/4W 100Ohms	1	650079-49	650079-49	650079-49	650079-49	650079-49
R16,17	Resistor,Carbon Film,1/4W 270Ohms	2	(650079-59)	(650079-59)	(650079-59)	(650079-59)	(650079-59)
R20-23	Resistor,Carbon Film,1/4W 1K Ohm	4	(650079-73)	(650079-73)	(650079-73)	(650079-73)	(650079-73)
R15	Resistor,Carbon Film,1/4W 1.5KOhm	1	(650079-77)	(650079-77)	(650079-77)	(650079-77)	(650079-77)
R24-26	Resistor,Carbon Film,1/4W 2KOhms	3	(650079-80)	(650079-80)	(650079-80)	(650079-80)	(650079-80)
R5-9, R11,13 R18,19	Resistor,Carbon Film,1/4W 4.7Kohm	9	650079-89	650079-89	650079-89	650079-89	650079-89
R27	Resistor,Carbon Film, 1/4W 10KOhm	1	650079-97	650079-97	650079-97	650079-97	650079-97
R1-4 R10,12	Resistor,Carbon Film, 1/4W 47KOhm	6	(650080-14)	(650080-14)	(650080-14)	(650080-14)	(650080-14)
VR1,2	Grease	0.01	(650101)	(650101)	(650101)	(650101)	(650101)
VR1,2	Rivet,Blind,Dome-head .125Dia	2	(650139-05)	(650139-05)	(650139-05)	(650139-05)	(650139-05)
-	Solder	0.01	(650160)	(650160)	(650160)	(650160)	(650160)
F1	Fuse, Mini, .197Dia 2Amps	1	(650307-03)	(650307-03)	(650307-03)	(650307-03)	(650307-03)
F1	Mini Fuse, Clips,.197Dia	2	(650308)	(650308)	(650308)	(650308)	(650308)
VR2	Voltage Regulator +5V	1	650332	650332	650332	650332	650332
VR1,2	Heatsink	2	(650335)	(650335)	(650335)	(650335)	(650335)
TP1	Test Point, PC Mount	1	(650336-01)	(650336-01)	(650336-01)	(650336-01)	(650336-01)
Q1,2	Transistor, PNP	2	650369	650369	650369	650369	650369
U5-7	I.C., Opto Coupler	3	650445	650445	650445	650445	650445
U3	Socket, Prom Carrier 28 Pins	1	650518-02	650518-02	650518-02	650518-02	650518-02
BR1	Bridge, Rectifier 4A,200V	1	650581-03	650581-03	650581-03	650581-03	650581-03
C7	Capacitor,Tantalum Radial 2.2uF25V	1	650583-03	650583-03	650583-03	650583-03	650583-03
C2,17	Capacitor,Tantalum Radial 22uF25V	2	650583-09	650583-09	650583-09	650583-09	650583-09
J1	Connector DB-9S	1	(650610-05)	(650610-05)	(650610-05)	(650610-05)	(650610-05)
U2	Ic, Octal D-Type Latch	1	650611	650611	650611	650611	650611
J1	Jack Socket Kit	1	(650620)	(650620)	(650620)	(650620)	(650620)
Y1	Wire 22Awg Auto-Inserted .450Lead	0.55	(650625-03)	(650625-03)	(650625-03)	(650625-03)	(650625-03)
Y1	Crystal, Quartz 11.059MHz	1	650721	650721	650721	650721	650721
U1	Hex Bus Driver	1	650776	650776	650776	650776	650776
J3	Header,.156Ctrs 3 Pins	1	(650893-03)	(650893-03)	(650893-03)	(650893-03)	(650893-03)
VR1	Voltage Regulator +8V	1	650939	650939	650939	650939	650939
C9,10	Capacitor,Electrl,Axial 3300uF,25V	2	(650954)	(650954)	(650954)	(650954)	(650954)
TB1	Terminal. Blk. .300Ctrs 1 Posicion	4	(651000-01)	(651000-01)	(651000-01)	(651000-01)	(651000-01)
J2	Header,Polzd.,Ra.0.098 Ctrs.	1	(651005-06)	(651005-06)	(651005-06)	(651005-06)	(651005-06)
U4	Ic, Microcomputer	1	651031	651031	651031	651031	651031

Note: Part Numbers enclosed in brackets ( ) are not available individually, but may be sold in assemblies or kits.

ESP12SATLW/ ESP16SATLW/ ESP24SATLW/ ESP32SATLW/ ESP40SATLW  
(LINK, METAL WALL MOUNT, 120 VOLT, 60 Hz)

PWB ASS ESP-MC ESC-1 CONTROLLER



Ref.	Description	Qty.	12	16	24	32	40
<b>PWB ASSY ESP-MC ESC-1 CONTROLLER</b>			(634227-02)	(634227-03)	(634227-04)	(634227-05)	(634227-06)
S7	Switch Rotary	1	(630609)	(630609)	(630609)	(630609)	(630609)
S8	Switch, Slide	1	(630651)	(630651)	(630651)	(630651)	(630651)
-	Label, Bar Code 39	1	(631356-01)	(631356-01)	(631356-01)	(631356-01)	(631356-01)
LCD1	Spacer, LCD	1	(632046)	(632046)	(632046)	(632046)	(632046)
P2	Sensor Cable	1	(632048-01)	(632048-01)	(632048-01)	(632048-01)	(632048-01)
J2	Spring, Shield .70 Long	1	(632898-01)	(632898-01)	(632898-01)	(632898-01)	(632898-01)
LCD1	Liquid, Crystal Display	1	(633087)	(633087)	(633087)	(633087)	(633087)
U1	Microcomp., Toshiba, OTP	1	(633088)	(633088)	(633088)	(633088)	(633088)
P1	Ribbon Cable Assy 50Ckts	1	(633090)	(633090)	(633090)	(633090)	(633090)
-	Printed Wiring Board	1	(634228)	(634228)	(634228)	(634228)	(634228)
C12	Capacitor, ceramic radial 6pF, 50V	1	(650012-04)	(650012-04)	(650012-04)	(650012-04)	(650012-04)
U2	Washer, Flat, carbon Steel	1	(650023-03)	(650023-03)	(650023-03)	(650023-03)	(650023-03)

Note: Part Numbers enclosed in brackets ( ) are not available individually, but may be sold in assemblies or kits.

ESP12SATLW/ ESP16SATLW/ ESP24SATLW/ ESP32SATLW/ ESP40SATLW  
(LINK, METAL WALL MOUNT, 120 VOLT, 60 Hz)

Ref.	Description	Qty.	12	16	24	32	40
<b>PWB ASSY ESP-MC ESC-1 CONTROLLER, CONT.</b>							
CR6	Diode, Switching	1	650037-01	650037-01	650037-01	650037-01	650037-01
CR7	Diode, Switching	1	650037-01	-	650037-01	-	650037-01
CR8	Diode, Switching	1	-	650037-01	650037-01	-	-
CR9	Diode, Switching	1	-	-	-	650037-01	650037-01
CR11-18	Diode, Switching	8	650037-01	650037-01	650037-01	650037-01	650037-01
VR1	Diode, Zener, 500mW, 5.6V	1	(650038-71)	(650038-71)	(650038-71)	(650038-71)	(650038-71)
C7, 15	Capacitor, Electrolytic, Axial 47uF, 10V	2	(650044-03)	(650044-03)	(650044-03)	(650044-03)	(650044-03)
BAT	Battery Snap 9V	1	650075	650075	650075	650075	650075
CR1-5 C19	Diode, Gen Purpose, 1Amp	6	650077-02	650077-02	650077-02	650077-02	650077-02
R23, 85 R98	Resistor, Carbon Film, 1/4W, 10Ohms	2	(650079-25)	(650079-25)	(650079-25)	(650079-25)	(650079-25)
R49-56 R24, 32,	Resistor, Carbon Film 1/4W, 150Ohms	11	(650079-53)	(650079-53)	(650079-53)	(650079-53)	(650079-53)
R57-60	Resistor, Carbon Film 1/4W, 150Ohms	4	(650079-53)	(650079-53)	(650079-53)	(650079-53)	(650079-53)
R61-64	Resistor, Carbon Film 1/4W, 150Ohms	4	-	(650079-53)	(650079-53)	(650079-53)	(650079-53)
R65-72	Resistor, Carbon Film 1/4W, 150Ohms	8	-	-	(650079-53)	(650079-53)	(650079-53)
R33-40	Resistor, Carbon Film 1/4W, 150Ohms	8	-	-	-	(650079-53)	(650079-53)
R41-48	Resistor, Carbon Film 1/4W, 150Ohms	8	-	-	-	-	(650079-53)
R25-31	Resistor, Carbon Film 1/4W 470Ohms	7	(650079-65)	(650079-65)	(650079-65)	(650079-65)	(650079-65)
R17, 95	Resistor, Carbon Film, 1/4W, 1KOhm	2	(650079-73)	(650079-73)	(650079-73)	(650079-73)	(650079-73)
R76	Resistor, Carbon Film, 1/4W, 2KOhms	1	(650079-80)	(650079-80)	(650079-80)	(650079-80)	(650079-80)
R2	Resistor, Carbon Film, 1/4W 3.3KOhms	1	(650079-85)	(650079-85)	(650079-85)	(650079-85)	(650079-85)
R88-90 R84, 87 R20-22	Resistor, Carbon Film, 1/4W, 4.7KOhms	8	650079-89	650079-89	650079-89	650079-89	650079-89
R92	Resistor, Carbon Film, 1/4W, 8.2KOhms	1	(650079-95)	(650079-95)	(650079-95)	(650079-95)	(650079-95)
R19, 91	Resistor, Carbon Film, 1/4W, 10Kohms	2	(650079-97)	(650079-97)	(650079-97)	(650079-97)	(650079-97)
R83, 86 R18, 80	Resistor, Carbon Film, 1/4W, 47KOhms	4	(650080-14)	(650080-14)	(650080-14)	(650080-14)	(650080-14)
R94 R82, 93, R43, 81 R4-16	Resistor, Carbon Film, 1/4W 100Kohms	18	(650080-22)	(650080-22)	(650080-22)	(650080-22)	(650080-22)
R96, 97 R74, 75 R3	Resistor, Carbon Film, 1/4W, 220KOhms	5	(650080-30)	(650080-30)	(650080-30)	(650080-30)	(650080-30)
C20, 24 C16, 17 C10, 14 C3, 8, 9	Capacitor, Ceramic Axial .1uF, 50V	9	(650085-55)	(650085-55)	(650085-55)	(650085-55)	(650085-55)

Note: Part Numbers enclosed in brackets ( ) are not available individually, but may be sold in assemblies or kits.

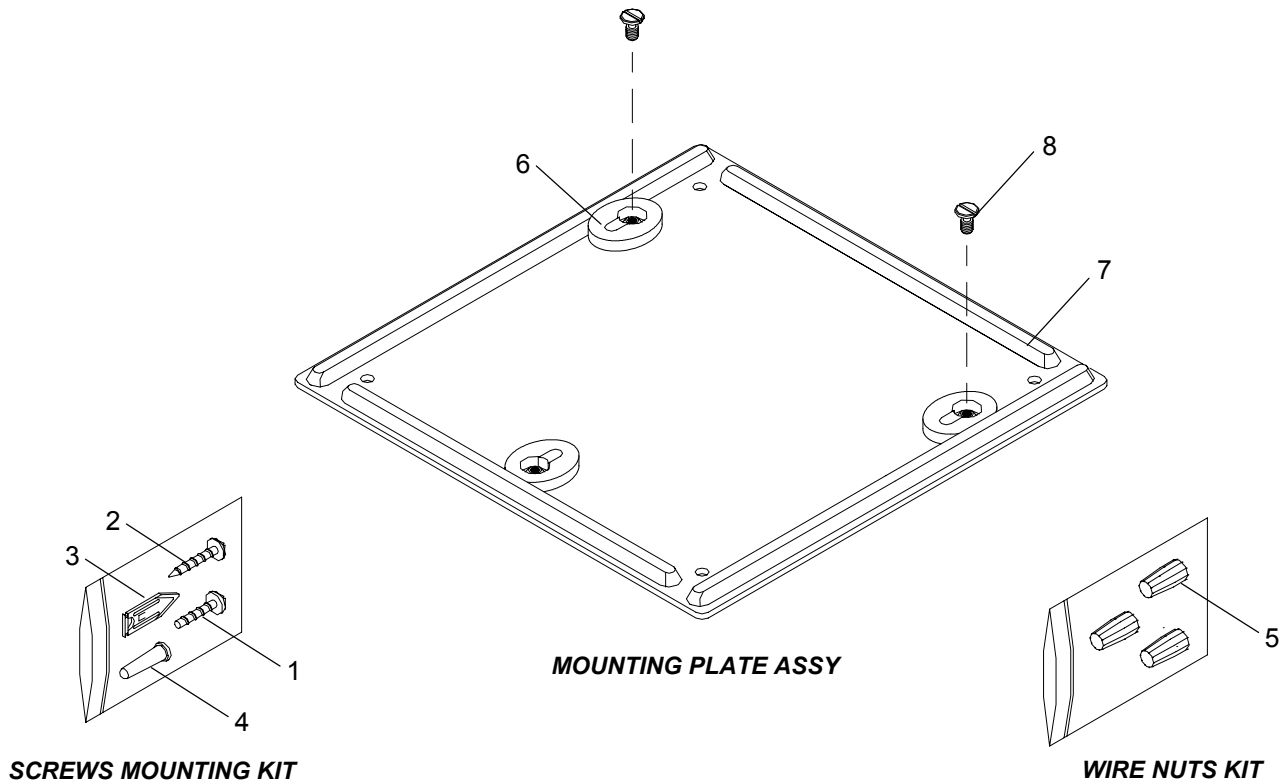


ESP12SATLW/ ESP16SATLW/ ESP24SATLW/ ESP32SATLW/ ESP40SATLW  
(LINK, METAL WALL MOUNT, 120 VOLT, 60 Hz)

Ref.	Description	Qty.	12	16	24	32	40
<b>PWB ASSY ESP-MC ESC-1 CONTROLLER</b>							
C21	Capacitor, Ceramic Axial .1uF, 50V	1	(650085-55)	(650085-55)	(650085-55)	(650085-55)	(650085-55)
C22	Capacitor, Ceramic Axial .1uF, 50V	1	-	-	(650085-55)	(650085-55)	(650085-55)
C18	Capacitor, Ceramic Axial .1uF, 50V	1	-	-	-	(650085-55)	(650085-55)
C19	Capacitor, Ceramic Axial .1uF, 50V	1	-	-	-	-	(650085-55)
U2	Rivet, Blind Dome HD. .125Dia	1	(650139-05)	(650139-05)	(650139-05)	(650139-05)	(650139-05)
R78,79	Resistor, Carbon Film, 1/2W, 1KOhms	2	(650202-73)	(650202-73)	(650202-73)	(650202-73)	(650202-73)
L1-7	Inductor, Ferrite Bead	7	650300-05	650300-05	650300-05	650300-05	650300-05
U3	IC Quad OP Amp	1	650358	650358	650358	650358	650358
Q3,4	Transistor, NPN, 624mW	2	650367	650367	650367	650367	650367
Q1,2	Transistor, PNP	2	650369	650369	650369	650369	650369
Y2	Crystal, Quartz 32.768KHz	1	(650484)	(650484)	(650484)	(650484)	(650484)
TS1	Transient Suppressor 6.8V	1	(650595-01)	(650595-01)	(650595-01)	(650595-01)	(650595-01)
C5	Capacitor, Electrolytic, Axial 330uF, 25V	1	(650624)	(650624)	(650624)	(650624)	(650624)
U4	3-8 Line Decoder	1	650699	650699	650699	650699	650699
S2,3,4 S5,6	Switch, Pushbutton	5	(650748)	(650748)	(650748)	(650748)	(650748)
C23,25 C1,2,11	Capacitor, ceramic Axial .01uF, 100V	5	(650882-01)	(650882-01)	(650882-01)	(650882-01)	(650882-01)
C6	Capacitor, NPO, Axial 10pF, 100V	1	(650883-13)	(650883-13)	(650883-13)	(650883-13)	(650883-13)
C26	Capacitor, NPO, Axial 220pF, 100V	1	(650883-17)	(650883-17)	(650883-17)	(650883-17)	(650883-17)
U5,8	8Bit Addressable Latch	2	650889	650889	650889	650889	650889
U9	8Bit Addressable Latch	1	650889	650889	650889	650889	650889
U10	8Bit Addressable Latch	1	-	-	650889	650889	650889
U6	8Bit Addressable Latch	1	-	-	-	650889	650889
U7	8Bit Addressable Latch	1	-	-	-	-	650889
DS1-8	Led, red, .200Ctrs.	8	650910	650910	650910	650910	650910
U2	Regulator, Low Dropout	1	(650962)	(650962)	(650962)	(650962)	(650962)
J2	Eyelet, Spring	1	(650985)	(650985)	(650985)	(650985)	(650985)
J1	Header, Polzd. Radial, .100Ctrs 6Pins	1	(651005-06)	(651005-06)	(651005-06)	(651005-06)	(651005-06)
B1	Battery, Lithium	1	(651009)	(651009)	(651009)	(651009)	(651009)
B1	Holder, Battery Coin	1	(651010)	(651010)	(651010)	(651010)	(651010)
U11	IC, Real Time Clock	1	(651011)	(651011)	(651011)	(651011)	(651011)
U12	IC, EEPROM-4K Byte, Serial	1	(651012)	(651012)	(651012)	(651012)	(651012)
Y1	Resonator, ceramic 8.00MHz	1	(651013)	(651013)	(651013)	(651013)	(651013)
U13	IC, 8Bit Input Mux	1	(651014)	(651014)	(651014)	(651014)	(651014)
C4	Capacitor, Electrolytic, Axial 1000uF, 25V	1	(651054-12)	(651054-12)	(651054-12)	(651054-12)	(651054-12)
RPF1	Polyswitch, RXE, 60V, .65A	1	(651055-08)	(651055-08)	(651055-08)	(651055-08)	(651055-08)
S9	Switch Slide	1	(651292)	(651292)	(651292)	(651292)	(651292)

Note: Part Numbers enclosed in brackets ( ) are not available individually, but may be sold in assemblies or kits.

ESP12SATLW/ ESP16SATLW/ ESP24SATLW/ ESP32SATLW/ ESP40SATLW  
 (LINK, METAL WALL MOUNT, 120 VOLT, 60 Hz)

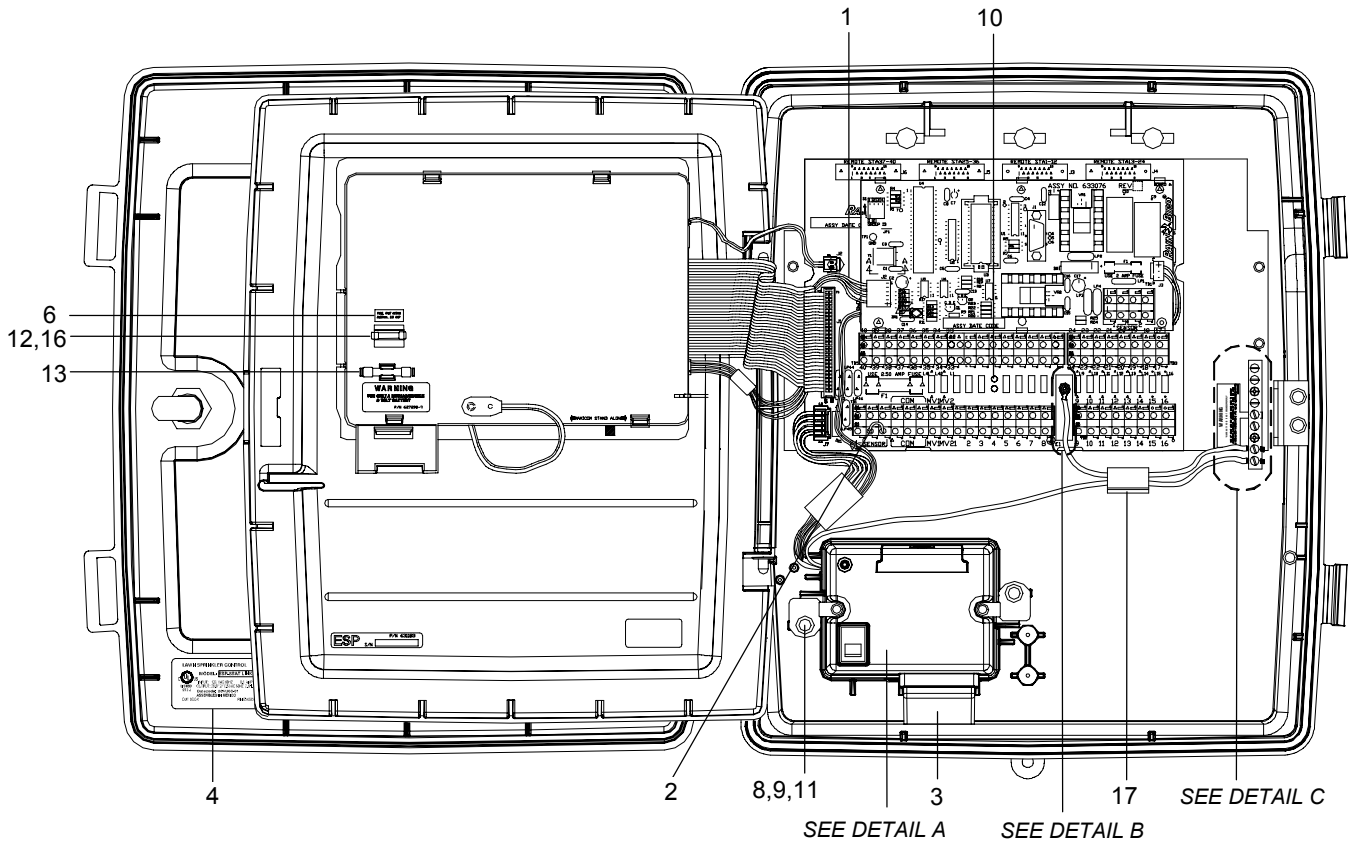


Ref.	Description	Qty.	12	16	24	32	40
<b>ACCESSORIES</b>							
-	Card, Customer Registration-Tm	1	(632354)	(632354)	(632354)	(632354)	(632354)
-	Screws, Mounting, Kit	1	(633182)	(633182)	(633182)	(633182)	(633182)
1	Screw, Pan Hd, #10 x 1/4"	2	(650754-55)	(650754-55)	(650754-55)	(650754-55)	(650754-55)
-	Bag, Zip Lock, Plastic, 3X4	1	(650924-03)	(650924-03)	(650924-03)	(650924-03)	(650924-03)
2	Screw, Trhd Phil, Type A, 1 1/4	4	(651021-16)	(651021-16)	(651021-16)	(651021-16)	(651021-16)
3	Anchor, Wall, Hammer Drive	4	(651022)	(651022)	(651022)	(651022)	(651022)
4	Plastic Anchor 10-12 x1"	4	(651393-03)	(651393-03)	(651393-03)	(651393-03)	(651393-03)
-	Instructions, Instl & Oper	1	633686	633686	633686	633686	633686
-	Instr, Instal & Oper, Spanish	1	(633696)	(633696)	(633696)	(633696)	(633696)
-	Giude, Operations Addendum	1	(633942)	(633942)	(633942)	(633942)	(633942)
-	Poster, Installation Instructions	1	634529	634529	634529	634529	634529
-	Wire Nuts, Kit	1	(634613)	(634613)	(634613)	(634613)	(634613)
-	Label Warning Hang Tag-Local	1	(634503)	(634503)	(634503)	(634503)	(634503)
-	Bag, Zip Lock, Plastic, 2.5x3	1	(650924-01)	(650924-01)	(650924-01)	(650924-01)	(650924-01)
5	Wire Nut 22-14	3	(651351)	(651351)	(651351)	(651351)	(651351)
-	Mounting Plate Assy, WM Cabinet	1	(635005-02)	(635005-02)	(635005-02)	(635005-02)	(635005-02)
6	Washer, Epdm, Flat	3	(633274)	(633274)	(633274)	(633274)	(633274)
-	Mount Bracket Assy	1	(634594-02)	(634594-02)	(634594-02)	(634594-02)	(634594-02)
7	Mount Bracket	1	(634484)	(634484)	(634484)	634484	634484
8	Stand-Off Screw S.S.	2	(634538-02)	(634538-02)	(634538-02)	(634538-02)	(634538-02)
-	Cable Tie, Nylon 7/8 Bundle	1	650131	650131	650131	650131	650131
-	Bag, Zip Lock, Plastic, 2.5x3	2	(650924-01)	(650924-01)	(650924-01)	(650924-01)	(650924-01)
-	Battery, Nicad 7.2V	1	650929	650929	650929	650929	650929

Note: Part Numbers enclosed in brackets ( ) are not available individually, but may be sold in assemblies or kits.

ESP12SATLP/ ESP16SATLP/ ESP24SATLP/ ESP32SATLP/ ESP40SATLP  
(LINK, PLASTIC WALL MOUNT, 120 VOLT, 60 Hz)

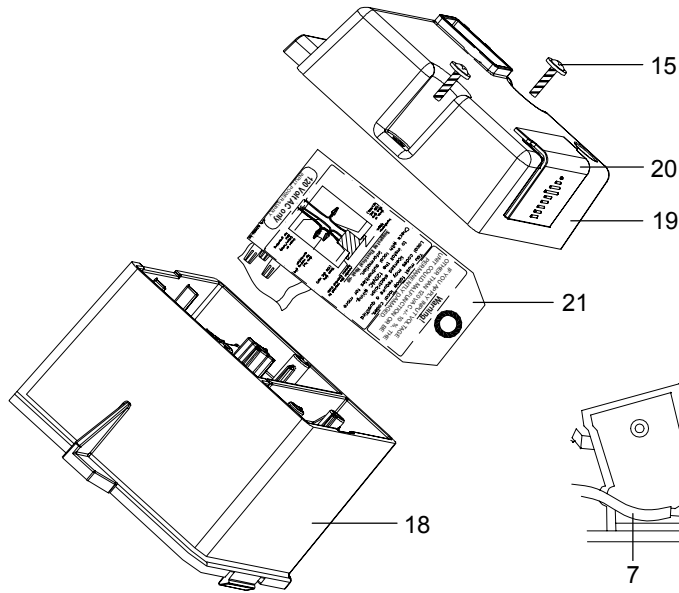
CONTROLLER ASSEMBLY



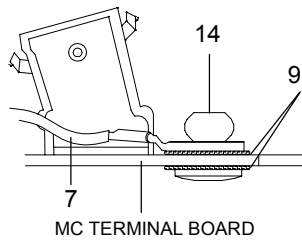
Ref.	Description	Qty.	12	16	24	32	40
<b>CONTROLLER ASSEMBLY</b>			(635061-02)	(635061-03)	(635061-04)	(635061-05)	(635061-06)
-	Card, Costumer Registration-Tm	1	(632354)	(632354)	(632354)	(632354)	(632354)
1	Cable Assy, 2Wire/Link Intfc-Mc	1	(633132)	(633132)	(633132)	(633132)	(633132)
2	Sensor Jumper Wire	1	(633442)	(633442)	(633442)	(633442)	(633442)
3	Cover, Ac Mains	1	(633821)	(633821)	(633821)	(633821)	(633821)
-	Hinge, Piano Wire	1	(633826)	(633826)	(633826)	(633826)	(633826)
4	Label, Rating	1	(634385-23)	(634385-23)	(634385-23)	(634385-23)	(634385-23)
5	Label Warning Grounding	1	(634502)	(634502)	(634502)	(634502)	(634502)
-	Label, Warning Corrosion Inhib	1	(634558)	(634558)	(634558)	(634558)	(634558)
6	Label, Fuse 2.0 Amp	1	(634616)	(634616)	(634616)	(634616)	(634616)
7	Ground Wire Assy 12 Awg (11)	1	(634943-11)	(634943-11)	(634943-11)	(634943-11)	(634943-11)
8	Bracket, Xfmr Enclosure	2	(635112)	(635112)	(635112)	(635112)	(635112)
9	Wshr Lk, #10,Ext-Tooth, Z-Pltd	4	(650162-04)	(650162-04)	(650162-04)	(650162-04)	(650162-04)
10	Screw Phi Pnh Hi-Lo 7-19x1/2	3	(650183-63)	(650183-63)	(650183-63)	(650183-63)	(650183-63)
11	Screw, Pnh, Hi-Lo, Cs	2	(650249-16)	(650249-16)	(650249-16)	(650249-16)	(650249-16)
12	Fuse 5x20MM 2 Amps	1	(650307-03)	(650307-03)	(650307-03)	(650307-03)	(650307-03)
13	Fuse, Slowblow,250V, 2-1/2 Amp	1	(650431-28)	(650431-28)	(650431-28)	(650431-28)	(650431-28)
14	Rivet, Blind 0.19	1	(650434-13)	(650434-13)	(650434-13)	(650434-13)	(650434-13)
15	Screw, 6-19 x 7/16 Hi-Lo W/Wshr	2	(650563-47)	(650563-47)	(650563-47)	(650563-47)	(650563-47)

Note: Part Numbers enclosed in brackets ( ) are not available individually, but may be sold in assemblies or kits.

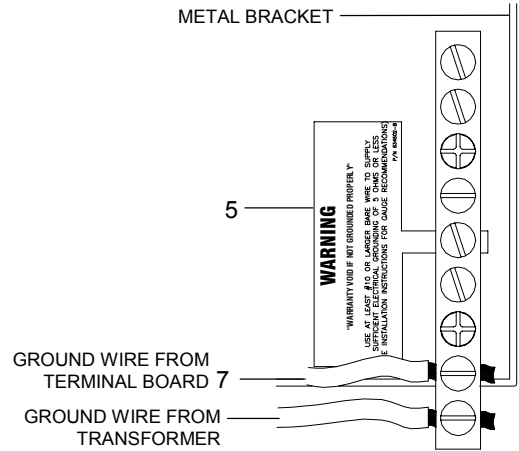
ESP12SATLP/ ESP16SATLP/ ESP24SATLP/ ESP32SATLP/ ESP40SATLP  
(LINK, PLASTIC WALL MOUNT, 120 VOLT, 60 Hz)



**DETAIL A**  
XFMR ENCLOSURE ASSY



**DETAIL B**  
VIEWED FROM RIGHT SIDE  
OF THE CONTROLLER



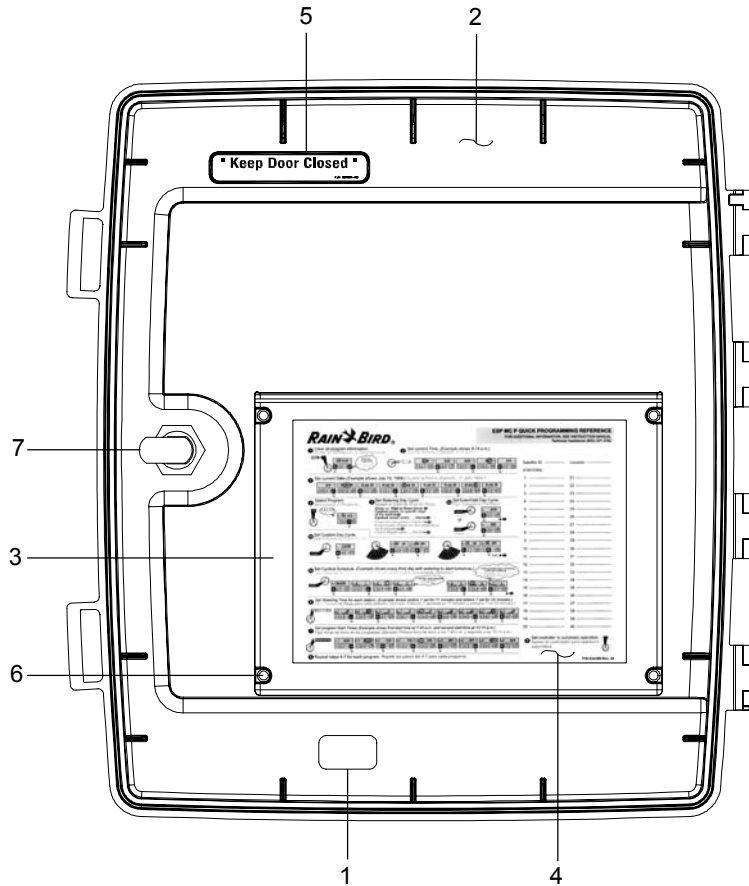
**DETAIL C**  
VIEWED FROM TOP SIDE  
OF THE CONTROLLER

Ref.	Description	Qty.	12	16	24	32	40
<b>CONTROLLER ASSEMBLY, CONT.</b>							
-	Spacer, Circuit Board, Edge Hold	6	(650912-10)	(650912-10)	(650912-10)	(650912-10)	(650912-10)
-	Impregnated Fioam Corrosion Inh	1	(651331)	(651331)	(651331)	(651331)	(651331)
16	Holder Fuse	1	(651384)	(651384)	(651384)	(651384)	(651384)
17	Wire Clip With Adhesive	1	(651446-02)	(651446-02)	(651446-02)	(651446-02)	(651446-02)
<b>XFMR ENCLOSURE ASSY</b>			634383-01	634383-01	634383-01	634383-01	634383-01
18	Enclosure, Transformer Top Im	1	(633777)	(633777)	(633777)	(633777)	(633777)
19	Cover, Hingh Voltage Board	1	(633778)	(633778)	(633778)	(633778)	(633778)
20	Cover, Fuse Pcb	1	(633779)	(633779)	(633779)	(633779)	(633779)
-	Enclosure, Transformer Bottom	1	(633822)	(633822)	(633822)	(633822)	(633822)
-	Xfmr Power 120,230 Vac	1	(634238)	(634238)	(634238)	(634238)	(634238)
-	Cable Tie, Nylon 7/8 Bundle	1	650131	650131	650131	650131	650131
-	Closed End, Splice	1	(650828)	(650828)	(650828)	(650828)	(650828)
<b>ACCESORIES</b>							
-	Instructions, Instl & Oper t	1	633686	633686	633686	633686	633686
-	Instr, Instal & Oper, Spanish	1	(633696)	(633696)	(633696)	(633696)	(633696)
-	Giude, Operations Addendum	1	(633942)	(633942)	(633942)	(633942)	(633942)
21	Wire Nuts, Kit	1	(634613)	(634613)	(634613)	(634613)	(634613)
-	Label Warning Hang Tag-Local	1	(634503)	(634503)	(634503)	(634503)	(634503)
-	Bag, Zip Lock, Plastic, 2.5x3	1	(650924-01)	(650924-01)	(650924-01)	(650924-01)	(650924-01)
-	Wire Nut 22-14	3	(651351)	(651351)	(651351)	(651351)	(651351)
-	Poster, Installation Inst.	1	(634728)	(634728)	(634728)	(634728)	(634728)

Note: Part Numbers enclosed in brackets ( ) are not available individually, but may be sold in assemblies or kits.

ESP12SATLP/ ESP16SATLP/ ESP24SATLP/ ESP32SATLP/ ESP40SATLP  
 (LINK, PLASTIC WALL MOUNT, 120 VOLT, 60 Hz)

DOOR ASSEMBLY

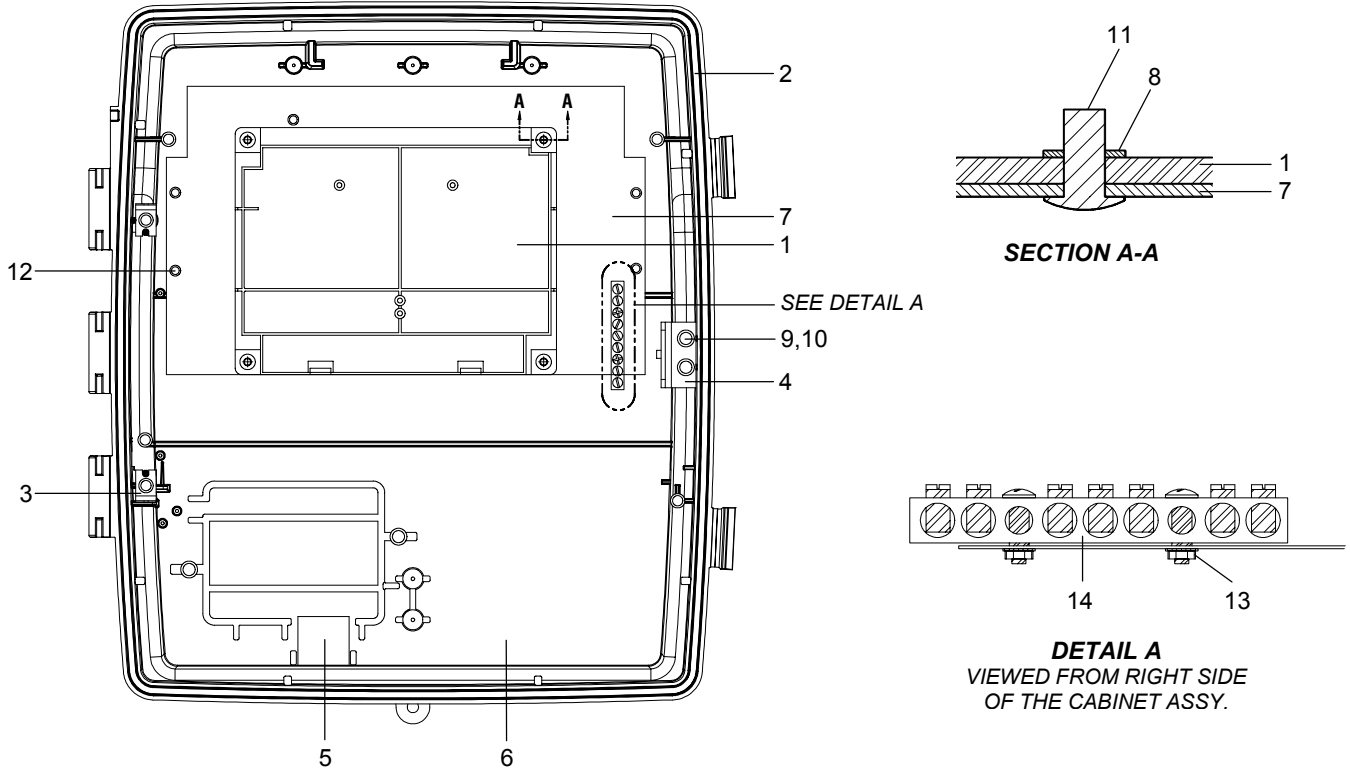


Ref.	Description	Qty.	12	16	24	32	40
<b>DOOR ASSEMBLY</b>			(634384)	(634384)	(634384)	(634384)	(634384)
1	Label Fcc Compliance	1	(629941)	(629941)	(629941)	(629941)	(629941)
2	Enclosure Cabinet Top	1	(633781-01)	(633781-01)	(633781-01)	(633781-01)	(633781-01)
3	Pocket, Cabinet Top	1	(633783-01)	(633783-01)	(633783-01)	(633783-01)	(633783-01)
4	Quick Prog. Guide	1	634389	634389	634389	634389	634389
5	Label, Keep Door Closed	1	(634501)	(634501)	(634501)	(634501)	(634501)
6	Screw, 6-19 x 7/16 Hi-lo W/Wshr	4	(650563-47)	(650563-47)	(650563-47)	(650563-47)	(650563-47)
7	Lock, Cam	1	650755	650755	650755	650755	650755

Note: Part Numbers enclosed in brackets ( ) are not available individually, but may be sold in assemblies or kits.

ESP12SATLP/ ESP16SATLP/ ESP24SATLP/ ESP32SATLP/ ESP40SATLP  
 (LINK, PLASTIC WALL MOUNT, 120 VOLT, 60 Hz)

CABINET ASSEMBLY

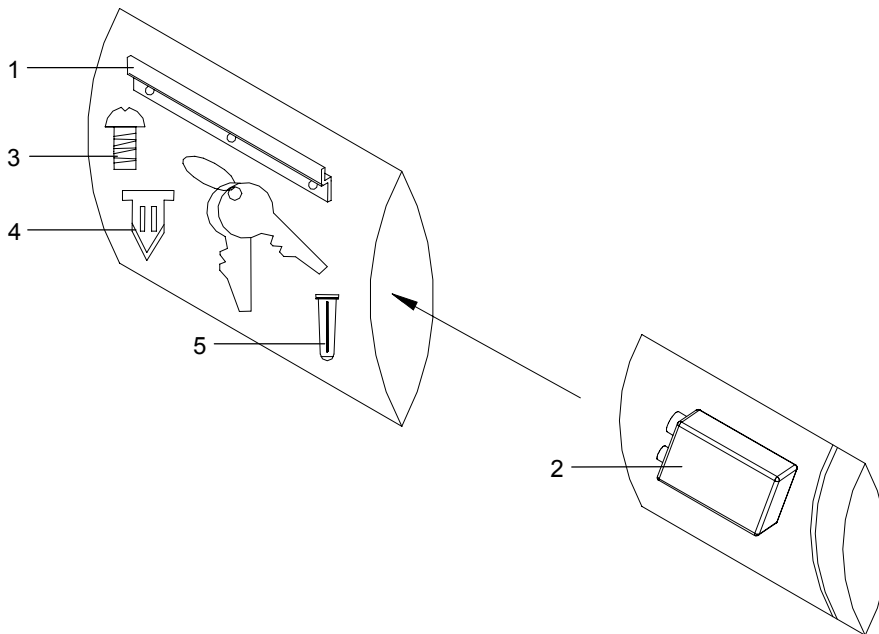


Ref.	Description	Qty.	12	16	24	32	40
<b>CABINET ASSEMBLY</b>			(634381)	(634381)	(634381)	(634381)	(634381)
1	Spacer, Terminal Board	1	(631919)	(631919)	(631919)	(631919)	(631919)
2	Gasket, Foam	1	(633402)	(633402)	(633402)	(633402)	(633402)
3	Hinge, Stamping	2	(633403)	(633403)	(633403)	(633403)	(633403)
4	Hasp Door Lock	1	(633405)	(633405)	(633405)	(633405)	(633405)
-	Bracket, Wall Mount	1	(633406)	(633406)	(633406)	(633406)	(633406)
5	Wiring Insulator Compartment	1	(633407)	(633407)	(633407)	(633407)	(633407)
6	Enclosure, Cabinet Bottom	1	(633780-01)	(633780-01)	(633780-01)	(633780-01)	(633780-01)
7	Bracket	1	(634291)	(634291)	(634291)	(634291)	(634291)
8	Washer, Flat #10 .032	4	(650023-13)	(650023-13)	(650023-13)	(650023-13)	(650023-13)
9	Washer Lk, #8, Ext-tooth, Z-Pltd	4	(650162-03)	(650162-03)	(650162-03)	(650162-03)	(650162-03)
10	Screw Phl Pnh Hi-Lo 4-24x1/4	4	(650183-78)	(650183-78)	(650183-78)	(650183-78)	(650183-78)
-	Screw, Pnh, Hi-Lo. Cs	3	(650249-71)	(650249-71)	(650249-71)	(650249-71)	(650249-71)
11	Rivet, Blind 0.19	4	(650434-13)	(650434-13)	(650434-13)	(650434-13)	(650434-13)
12	Screw, 5-20 x 3/8 Hi-Lo W/Wshr	5	(650563-36)	(650563-36)	(650563-36)	(650563-36)	(650563-36)
13	Nut, #8-32 Hex W/Star Washer	2	(650634-04)	(650634-04)	(650634-04)	(650634-04)	(650634-04)
14	Bar Bus Grounding	2	(651440)	(651440)	(651440)	(651440)	(651440)

Note: Part Numbers enclosed in brackets ( ) are not available individually, but may be sold in assemblies or kits.

ESP12SATLP/ ESP16SATLP/ ESP24SATLP/ ESP32SATLP/ ESP40SATLP  
 (LINK, PLASTIC WALL MOUNT, 120 VOLT, 60 Hz)

**COLLATERAL PACKAGE**

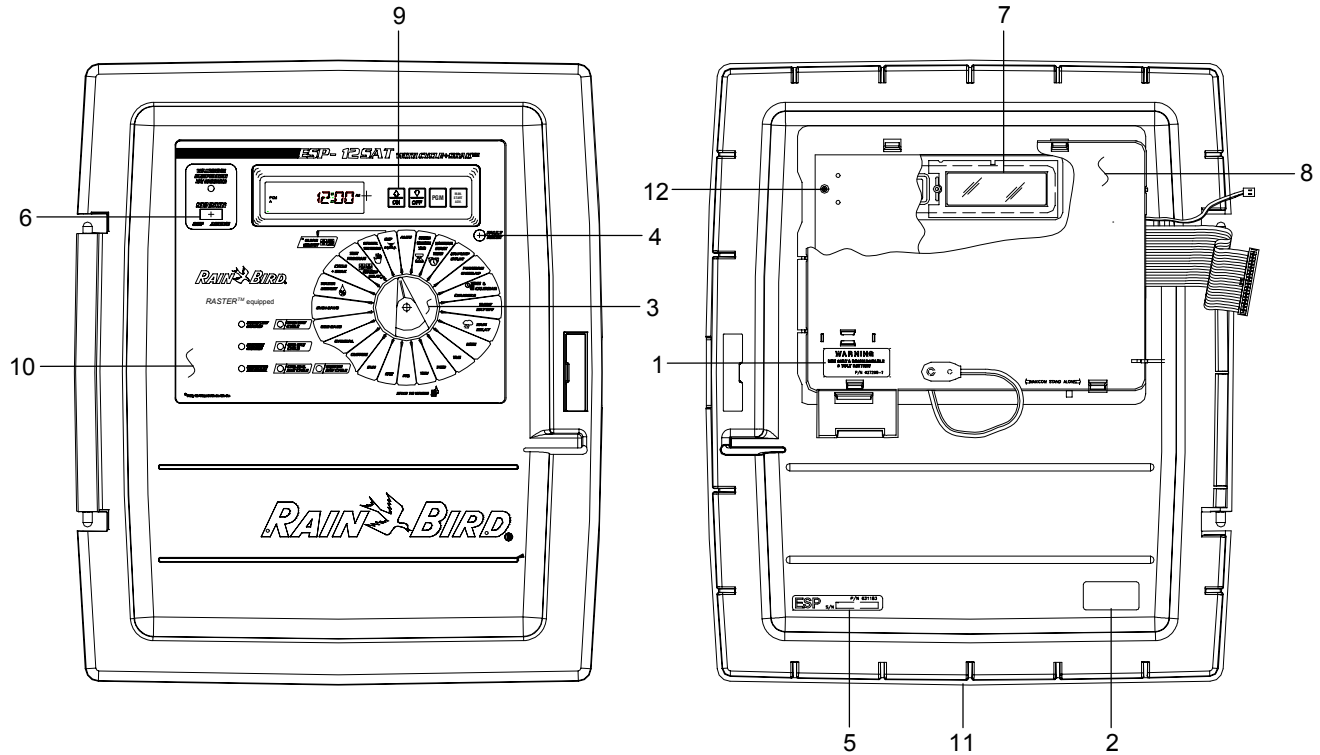


Ref.	Description	Qty.	12	16	24	32	40
<b>COLLATERAL PACKAGE</b>			(634379-01)	(634379-01)	(634379-01)	(634379-01)	(634379-01)
-	Bag, Poly 8 x 10	1	(628282-17)	(628282-17)	(628282-17)	(628282-17)	(628282-17)
1	Bracket, Wall Mount	1	(633406)	(633406)	(633406)	(633406)	(633406)
-	Bag, Zip Lock, Plasts, 2.5x3	1	(650924-01)	(650924-01)	(650924-01)	(650924-01)	(650924-01)
2	Battery, Nicad 7.2V	1	650929	650929	650929	650929	650929
3	Screw, Trhd Phil, Type A1 1/4	4	(651021-16)	(651021-16)	(651021-16)	(651021-16)	(651021-16)
4	Anchor, Wall, Hammer Drive	4	(651022)	(651022)	(651022)	(651022)	(651022)
5	Plastic Anchor 10-12 x 1"	4	(651393-03)	(651393-03)	(651393-03)	(651393-03)	(651393-03)

Note: Part Numbers enclosed in brackets ( ) are not available individually, but may be sold in assemblies or kits.

ESP12SATLP/ ESP16SATLP/ ESP24SATLP/ ESP32SATLP/ ESP40SATLP  
 (LINK, PLASTIC WALL MOUNT, 120 VOLT, 60 Hz)

FRONT PANEL ASSEMBLY



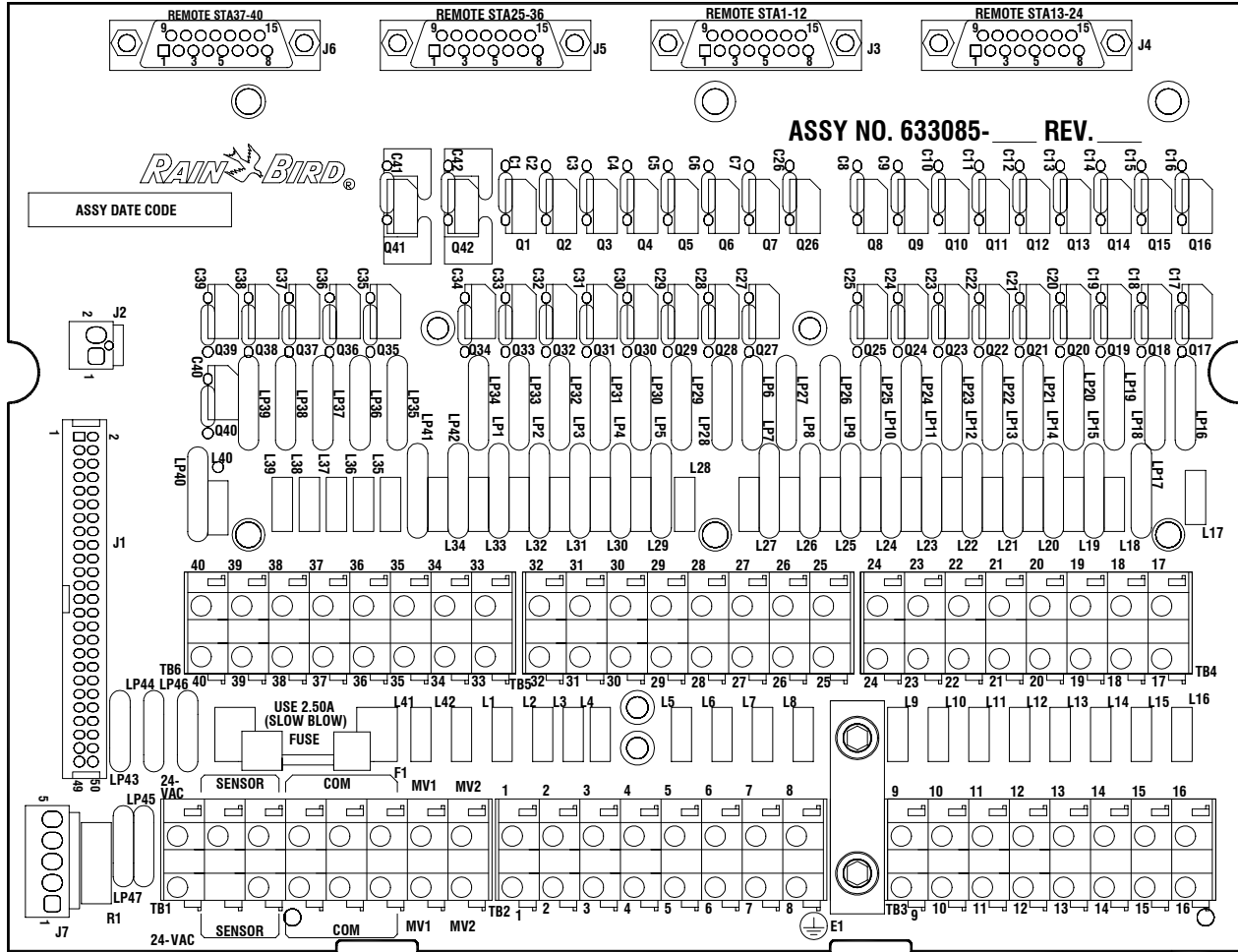
Ref.	Description	Qty.	12	16	24	32	40
<b>FRONT PANEL ASSEMBLY</b>			(635060-02)	(635060-03)	(635060-04)	(635060-05)	(635060-06)
1	Label Warning Cic 8/12	1	(627298)	(627298)	(627298)	(627298)	(627298)
2	Label Date Code	1	(627867)	(627867)	(627867)	(627867)	(627867)
3	Func Select Knob Assy, Gray	1	630946	630946	630946	630946	630946
-	Esp Func Select Knob, Gray	1	(630947)	(630947)	(630947)	(630947)	(630947)
-	Ring Compression	1	(650505-06)	(650505-06)	(650505-06)	(650505-06)	(650505-06)
4	Button, Tm Pb Switch	1	(631136)	(631136)	(631136)	(631136)	(631136)
5	Label, Serial, Esp	1	(631183)	(631183)	(631183)	(631183)	(631183)
6	Switch, Actuator-Paragon	1	(632510)	(632510)	(632510)	(632510)	(632510)
7	Lens, Lcd-Esp-C/Lx	1	632700	632700	632700	632700	632700
8	Assy, Cover, Foil	1	(632905)	(632905)	(632905)	(632905)	(632905)
-	Cover, Pwb	1	(631920)	(631920)	(631920)	(631920)	(631920)
-	Shield, Foil Esp-Mc-P	1	(632904)	(632904)	(632904)	(632904)	(632904)
9	Keypad, Silicone	1	(632908)	(632908)	(632908)	(632908)	(632908)
10	Overlay, Front Panel	1	(633324-02)	(633324-03)	(633324-04)	(633324-05)	(633324-06)
11	Assy, Fp/Shield Esp-Mc-P	1	(634392)	(634392)	(634392)	(634392)	(634392)
-	Shield, Front Panel	1	(632897)	(632897)	(632897)	(632897)	(632897)
-	Esp-Mc-P Front Panel	1	(634209)	(634209)	(634209)	(634209)	(634209)
12	Screw, 4-24 x 5/16 Hi-Lo W/Wshr	5	(650563-23)	(650563-23)	(650563-23)	(650563-23)	(650563-23)

Note: Part Numbers enclosed in brackets ( ) are not available individually, but may be sold in assemblies or kits.



ESP12SATLP/ ESP16SATLP/ ESP24SATLP/ ESP32SATLP/ ESP40SATLP  
(LINK, PLASTIC WALL MOUNT, 120 VOLT, 60 Hz)

PWB ASSY TERMINAL



Ref.	Description	Qty.	12	16	24	32	40
<b>PWB ASSY TERMINAL</b>							
			(633085-02)	(633085-03)	(633085-04)	(633085-05)	(633085-06)
LP45,47	Mov 56V, 1000A	2	624624	624624	624624	624624	624624
LP46	Mov 56V, 1000A	1	624624	624624	624624	624624	624624
-	Label bar code 39	1	(631356-01)	(631356-01)	(631356-01)	(631356-01)	(631356-01)
-	Printed Wiring Board	1	(633086)	(633086)	(633086)	(633086)	(633086)
-	Fuse clip	2	(650098)	(650098)	(650098)	(650098)	(650098)
-	Solder	.01	(650160)	(650160)	(650160)	(650160)	(650160)
L41,42 L1-8	Inductor Ferrite Bead	10	650300-05	650300-05	650300-05	650300-05	650300-05
L9-12	Inductor Ferrite Bead	4	650300-05	650300-05	650300-05	650300-05	650300-05
L13-16	Inductor Ferrite Bead	4	-	650300-05	650300-05	650300-05	650300-05
L9-12	Inductor Ferrite Bead	4	650300-05	650300-05	650300-05	650300-05	650300-05

Note: Part Numbers enclosed in brackets ( ) are not available individually, but may be sold in assemblies or kits.

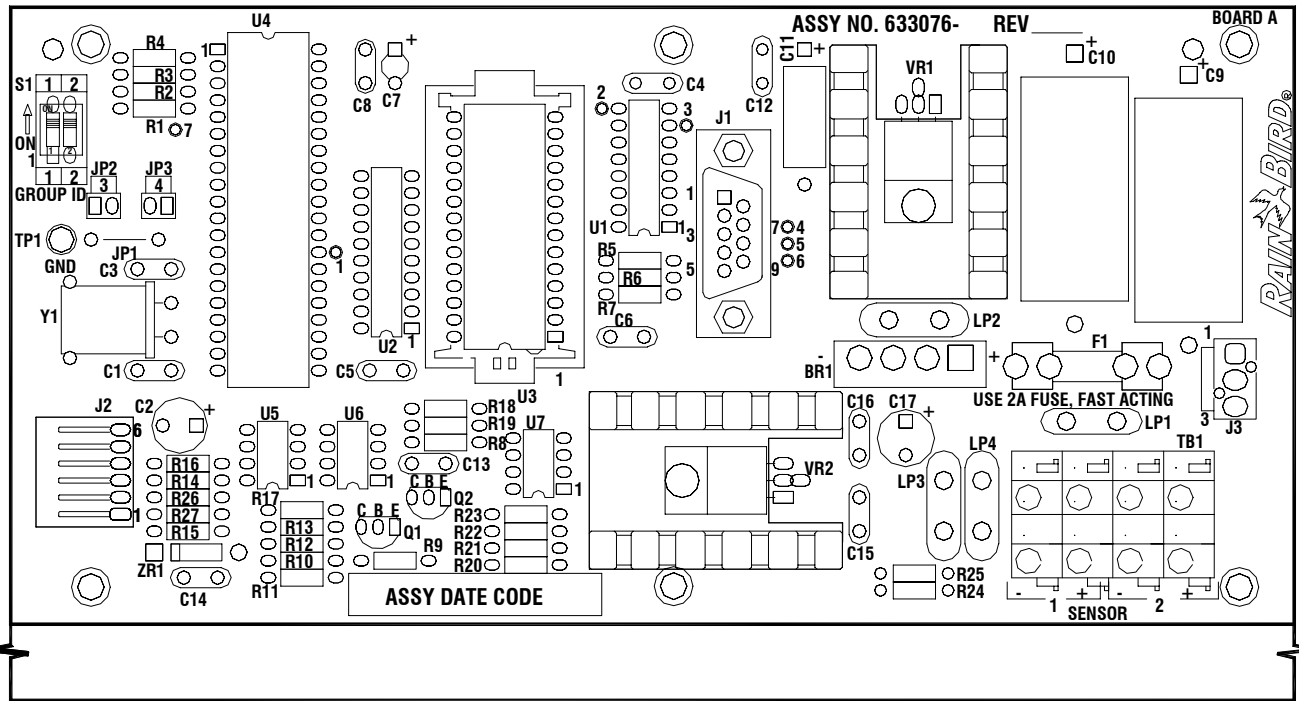
ESP12SATLP/ ESP16SATLP/ ESP24SATLP/ ESP32SATLP/ ESP40SATLP  
(LINK, PLASTIC WALL MOUNT, 120 VOLT, 60 Hz)

Ref.	Description	Qty.	12	16	24	32	40
<b>PWB ASSY TERMINAL, CONT.</b>							
L13-16	Inductor Ferrite Bead	4	-	650300-05	650300-05	650300-05	650300-05
L17-24	Inductor Ferrite Bead	8	-	-	650300-05	650300-05	650300-05
L25-32	Inductor Ferrite Bead	8	-	-	-	650300-05	650300-05
L33-40	Inductor Ferrite Bead	8	-	-	-	-	650300-05
-	Fuse 2.5Amp	1	(650431-28)	(650431-28)	(650431-28)	(650431-28)	(650431-28)
J3	Connector, DB15S 15 Pins	1	(650610-06)	(650610-06)	(650610-06)	(650610-06)	(650610-06)
J4	Connector, DB15S 15 Pins	1	-	(650610-06)	(650610-06)	(650610-06)	(650610-06)
J5	Connector, DB15S 15 Pins	1	-	-	-	(650610-06)	(650610-06)
J6	Connector, DB15S 15 Pins	1	-	-	-	-	(650610-06)
J3	Jack Socket Kit	1	(650620)	(650620)	(650620)	(650620)	(650620)
J4	Jack Socket Kit	1	-	(650620)	(650620)	(650620)	(650620)
J5	Jack Socket Kit	1	-	-	-	(650620)	(650620)
J6	Jack Socket Kit	1	-	-	-	-	(650620)
R1	Resistor, 2% 2W 0.1Ohms	1	(650766-01)	(650766-01)	(650766-01)	(650766-01)	(650766-01)
LP1-8							
LP41,42	Mov 20MM 47V, 2000A	10	650796	650796	650796	650796	650796
LP9-12	Mov 20MM 47V, 2000A	4	650796	650796	650796	650796	650796
LP13-16	Mov 20MM 47V, 2000A	4	-	650796	650796	650796	650796
LP17-24	Mov 20MM 47V, 2000A	8	-	-	650796	650796	650796
LP25-32	Mov 20MM 47V, 2000A	8	-	-	-	650796	650796
LP33-40	Mov 20MM 47V, 2000A	8	-	-	-	-	650796
J1	Header, Polzd., .100Ctrs. 50Pins	1	(650872-50)	(650872-50)	(650872-50)	(650872-50)	(650872-50)
LP44	Mov 47V. 1000A	1	650875	650875	650875	650875	650875
C1-8 C41,42	Capacitor, Ceramic Axial .01uF,100V	10	(650882-01)	(650882-01)	(650882-01)	(650882-01)	(650882-01)
C9-12	Capacitor, Ceramic Axial .01uF,100V	4	(650882-01)	(650882-01)	(650882-01)	(650882-01)	(650882-01)
C13-16	Capacitor, Ceramic Axial .01uF,100V	4	-	(650882-01)	(650882-01)	(650882-01)	(650882-01)
C17-24	Capacitor, Ceramic Axial .01uF,100V	8	-	-	(650882-01)	(650882-01)	(650882-01)
C25-32	Capacitor, Ceramic Axial .01uF,100V	8	-	-	-	(650882-01)	(650882-01)
C33-40	Capacitor, Ceramic Axial .01uF,100V	8	-	-	-	-	(650882-01)
J2	Header, Polzd., .156Ctrs. 2Pins	1	(650893-02)	(650893-02)	(650893-02)	(650893-02)	(650893-02)
J7	Header, Polzd., .156Ctrs. 5Pins	1	(650893-05)	(650893-05)	(650893-05)	(650893-05)	(650893-05)
TB1,2	Terminal Blk. .300SPC 1Pos	16	(651000-01)	(651000-01)	(651000-01)	(651000-01)	(651000-01)
TB3	Terminal Blk. .300SPC 1Pos	8	(651000-01)	(651000-01)	(651000-01)	(651000-01)	(651000-01)
TB4	Terminal Blk. .300SPC 1Pos	8	-	-	(651000-01)	(651000-01)	(651000-01)
TB5	Terminal Blk. .300SPC 1Pos	8	-	-	-	(651000-01)	(651000-01)
TB6	Terminal Blk. .300SPC 1Pos	8	-	-	-	-	(651000-01)
Q1-8 Q41,42	Triac, 6Amps	10	651138	651138	651138	651138	651138
Q9-12	Triac, 6Amps	4	651138	651138	651138	651138	651138
Q13-16	Triac, 6Amps	4	-	651138	651138	651138	651138
Q17-24	Triac, 6Amps	8	-	-	651138	651138	651138
Q25-32	Triac, 6Amps	8	-	-	-	651138	651138
Q33-40	Triac, 6Amps	8	-	-	-	-	651138
LP43	Mov 50V, 2500A	1	(651272)	(651272)	(651272)	(651272)	(651272)

Note: Part Numbers enclosed in brackets ( ) are not available individually, but may be sold in assemblies or kits.

ESP12SATLP/ ESP16SATLP/ ESP24SATLP/ ESP32SATLP/ ESP40SATLP  
 (LINK, PLASTIC WALL MOUNT, 120 VOLT, 60 Hz)

PWB ASSY ESP-MC LINK



Ref.	Description	Qty.	12	16	24	32	40
<b>PWB ASSY ESP-MC LINK</b>							
S1	Dip Switch, Spst	1	(633076-01)	(633076-01)	(633076-01)	(633076-01)	(633076-01)
-	Label, bar Code 39	1	(631012-02)	(631012-02)	(631012-02)	(631012-02)	(631012-02)
-	Printed Wiring Board	1	(631356-01)	(631356-01)	(631356-01)	(631356-01)	(631356-01)
U3	Prom Carrier Assy	1	(633077)	(633077)	(633077)	(633077)	(633077)
-	Label,Mat. Brady .375 x 1.00	1	633323-03	633323-03	633323-03	633323-03	633323-03
-	Carrier Ic 28 Pin	1	(632347-02)	(632347-02)	(632347-02)	(632347-02)	(632347-02)
-	Ic 27c256, Dip Eprom	1	(650517-02)	(650517-02)	(650517-02)	(650517-02)	(650517-02)
-		1	(650715)	(650715)	(650715)	(650715)	(650715)
C1,3	Capacitor,Ceramic Disc 30pF,50V	2	(650012-15)	(650012-15)	(650012-15)	(650012-15)	(650012-15)
C4-6,8	Capacitor,Ceramic Disc 0.1uF,50V	8	650013-45	650013-45	650013-45	650013-45	650013-45
C12,14	Capacitor,Ceramic Disc 0.1uF,50V	8	650013-45	650013-45	650013-45	650013-45	650013-45
C15,16	Capacitor,Ceramic Disc 0.1uF,50V	8	650013-45	650013-45	650013-45	650013-45	650013-45
C13	Capacitor, Ceramic Disc .01uF,50V	1	(650014-27)	(650014-27)	(650014-27)	(650014-27)	(650014-27)
LP1-4	Mov 33V,500A	4	650015	650015	650015	650015	650015

Note: Part Numbers enclosed in brackets ( ) are not available individually, but may be sold in assemblies or kits.

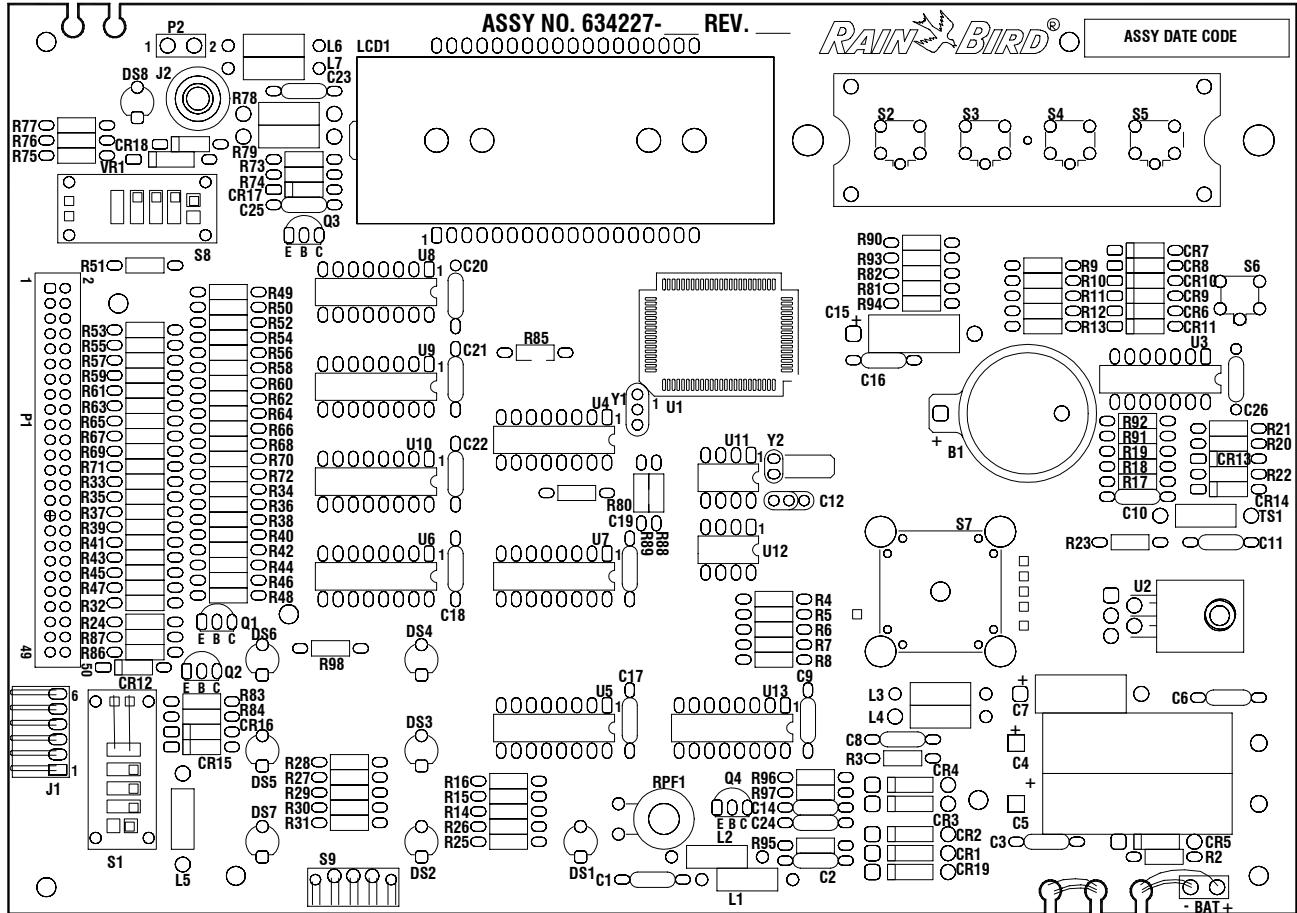
ESP12SATLP/ ESP16SATLP/ ESP24SATLP/ ESP32SATLP/ ESP40SATLP  
(LINK, PLASTIC WALL MOUNT, 120 VOLT, 60 Hz)

Ref.	Description	Qty.	12	16	24	32	40
<b>PWB ASSY ESP-MC LINK, CONT.</b>							
ZR1	Diode Zener	1	(650038-70)	(650038-70)	(650038-70)	(650038-70)	(650038-70)
C11	Capacitor,Electrl,Axial 47uF,25V	1	(650045-08)	(650045-08)	(650045-08)	(650045-08)	(650045-08)
R14	Resistor,Carbon Film,1/4W 100Ohms	1	650079-49	650079-49	650079-49	650079-49	650079-49
R16,17	Resistor,Carbon Film,1/4W 270Ohms	2	(650079-59)	(650079-59)	(650079-59)	(650079-59)	(650079-59)
R20-23	Resistor,Carbon Film,1/4W 1K Ohm	4	(650079-73)	(650079-73)	(650079-73)	(650079-73)	(650079-73)
R15	Resistor,Carbon Film,1/4W 1.5KOhm	1	(650079-77)	(650079-77)	(650079-77)	(650079-77)	(650079-77)
R24-26	Resistor,Carbon Film,1/4W 2KOhms	3	(650079-80)	(650079-80)	(650079-80)	(650079-80)	(650079-80)
R5-9, R11,13 R18,19	Resistor,Carbon Film,1/4W 4.7Kohm	9	650079-89	650079-89	650079-89	650079-89	650079-89
R27 R1-4	Resistor,Carbon Film, 1/4W 10KOhm	1	650079-97	650079-97	650079-97	650079-97	650079-97
R10,12	Resistor,Carbon Film, 1/4W 47KOhm	6	(650080-14)	(650080-14)	(650080-14)	(650080-14)	(650080-14)
VR1,2	Grease	0.01	(650101)	(650101)	(650101)	(650101)	(650101)
VR1,2	Rivet,Blind,Dome-head .125Dia	2	(650139-05)	(650139-05)	(650139-05)	(650139-05)	(650139-05)
-	Solder	0.01	(650160)	(650160)	(650160)	(650160)	(650160)
F1	Fuse, Mini, .197Dia 2Amps	1	(650307-03)	(650307-03)	(650307-03)	(650307-03)	(650307-03)
F1	Mini Fuse, Clips,.197Dia	2	(650308)	(650308)	(650308)	(650308)	(650308)
VR2	Voltage Regulator +5V	1	650332	650332	650332	650332	650332
VR1,2	Heatsink	2	(650335)	(650335)	(650335)	(650335)	(650335)
TP1	Test Point, PC Mount	1	(650336-01)	(650336-01)	(650336-01)	(650336-01)	(650336-01)
Q1,2	Transistor, PNP	2	650369	650369	650369	650369	650369
U5-7	I.C.,Opto Coupler	3	650445	650445	650445	650445	650445
U3	Socket, Prom Carrier 28 Pins	1	650518-02	650518-02	650518-02	650518-02	650518-02
BR1	Bridge, Rectifier 4A,200V	1	650581-03	650581-03	650581-03	650581-03	650581-03
C7	Capacitor,Tantalum Radial 2.2uF25V	1	650583-03	650583-03	650583-03	650583-03	650583-03
C2,17	Capacitor,Tantalum Radial 22uF25V	2	650583-09	650583-09	650583-09	650583-09	650583-09
J1	Connector DB-9S	1	(650610-05)	(650610-05)	(650610-05)	(650610-05)	(650610-05)
U2	Ic,Octal D-Type Latch	1	650611	650611	650611	650611	650611
J1	Jack Socket Kit	1	(650620)	(650620)	(650620)	(650620)	(650620)
Y1	Wire 22Awg Auto-Inserted .450Lead	0.55	(650625-03)	(650625-03)	(650625-03)	(650625-03)	(650625-03)
Y1	Crystal, Quartz 11.059MHz	1	650721	650721	650721	650721	650721
U1	Hex Bus Driver	1	650776	650776	650776	650776	650776
J3	Header,.156Ctrs 3 Pins	1	(650893-03)	(650893-03)	(650893-03)	(650893-03)	(650893-03)
VR1	Voltage Regulator +8V	1	650939	650939	650939	650939	650939
C9,10	Capacitor,Electrl,Axial 3300uF,25V	2	(650954)	(650954)	(650954)	(650954)	(650954)
TB1	Terminal. Blk. .300Ctrs 1 Posicion	4	(651000-01)	(651000-01)	(651000-01)	(651000-01)	(651000-01)
J2	Header,Polzd.,Ra.0.098 Ctrs.	1	(651005-06)	(651005-06)	(651005-06)	(651005-06)	(651005-06)
U4	Ic,Microcomputer	1	651031	651031	651031	651031	651031

Note: Part Numbers enclosed in brackets ( ) are not available individually, but may be sold in assemblies or kits.

ESP12SATLP/ ESP16SATLP/ ESP24SATLP/ ESP32SATLP/ ESP40SATLP  
(LINK, PLASTIC WALL MOUNT, 120 VOLT, 60 Hz)

PWB ASSY ESP-MC ESC-1 CONTROLLER



Ref.	Description	Qty.	12	16	24	32	40
<b>PWB ASSY ESP-MC ESC-1 CONTROLLER</b>			(634227-08)	(634227-09)	(634227-10)	(634227-11)	(634227-12)
S7	Switch, Rotary	1	(630609)	(630609)	(630609)	(630609)	(630609)
S8	Switch, Slide	1	(630651)	(630651)	(630651)	(630651)	(630651)
-	Label, Bar Code 39	1	(631356-01)	(631356-01)	(631356-01)	(631356-01)	(631356-01)
LCD1	Spacer, LCD	1	(632046)	(632046)	(632046)	(632046)	(632046)
P2	Sensor Cable	1	(632048-01)	(632048-01)	(632048-01)	(632048-01)	(632048-01)
J2	Spring, Shield .70Long	1	(632898-01)	(632898-01)	(632898-01)	(632898-01)	(632898-01)
-	Spring Shield .44Long	1	(632898-02)	(632898-02)	(632898-02)	(632898-02)	(632898-02)
LCD1	Liquid Crystal Display	1	(633087)	(633087)	(633087)	(633087)	(633087)
U1	Microcomp., Toshiba,OTP	1	(633088)	(633088)	(633088)	(633088)	(633088)
P1	Ribbon Cable Assy.	1	(633090)	(633090)	(633090)	(633090)	(633090)
-	Printed Wiring Board	1	(634228)	(634228)	(634228)	(634228)	(634228)
C12	Capacitor,Ceramic radial 6pF,50V	1	(650012-04)	(650012-04)	(650012-04)	(650012-04)	(650012-04)

Note: Part Numbers enclosed in brackets ( ) are not available individually, but may be sold in assemblies or kits.

ESP12SATLP/ ESP16SATLP/ ESP24SATLP/ ESP32SATLP/ ESP40SATLP  
(LINK, PLASTIC WALL MOUNT, 120 VOLT, 60 Hz)

Ref.	Description	Qty.	12	16	24	32	40
<b>PWB ASSY ESP-MC ESC-1 CONTROLLER, CONT.</b>							
U2	Washer, Flat, Carbon Steel No.5	1	(650023-03)	(650023-03)	(650023-03)	(650023-03)	(650023-03)
CR6	Diode, Switching	1	650037-01	650037-01	650037-01	650037-01	650037-01
CR7	Diode, Switching	1	650037-01	-	650037-01	-	650037-01
CR8	Diode, Switching	1	-	650037-01	650037-01	-	-
CR9	Diode, Switching	1	-	-	-	650037-01	650037-01
CR11-18	Diode, Switching	8	650037-01	650037-01	650037-01	650037-01	650037-01
VR1	Diode, Zener, 500mW, 5.6V	1	(650038-71)	(650038-71)	(650038-71)	(650038-71)	(650038-71)
C7, C15	Capacitor, Electrol, Axial 47uF, 10V	2	(650044-03)	(650044-03)	(650044-03)	(650044-03)	(650044-03)
BAT	Battery Snap 9V	1	650075	650075	650075	650075	650075
CR1-5 CR19	Diode, Gen Purpose, 1Amp	6	650077-02	650077-02	650077-02	650077-02	650077-02
R23, 85	Resistor, Carbon Film, 1/4W, 10Ohm	2	(650079-25)	(650079-25)	(650079-25)	(650079-25)	(650079-25)
R24, 32, R98, R49-56	Resistor, Carbon Film, 1/4W, 150Ohms	11	(650079-53)	(650079-53)	(650079-53)	(650079-53)	(650079-53)
R57-60	Resistor, Carbon Film, 1/4W, 150Ohms	4	(650079-53)	(650079-53)	(650079-53)	(650079-53)	(650079-53)
R61-64	Resistor, Carbon Film, 1/4W, 150Ohms	4	-	(650079-53)	(650079-53)	(650079-53)	(650079-53)
R65-72	Resistor, Carbon Film, 1/4W, 150Ohms	8	-	-	(650079-53)	(650079-53)	(650079-53)
R33-40	Resistor, Carbon Film, 1/4W, 150Ohms	8	-	-	-	(650079-53)	(650079-53)
R41-48	Resistor, Carbon Film, 1/4W, 150Ohms	8	-	-	-	-	(650079-53)
R25-31	Resistor, Carbon Film, 1/4W, 470Ohms	7	(650079-65)	(650079-65)	(650079-65)	(650079-65)	(650079-65)
R17, 95	Resistor, Carbon Film, 1/4W, 1KOhm	2	(650079-73)	(650079-73)	(650079-73)	(650079-73)	(650079-73)
R76	Resistor, Carbon Film, 1/4W, 2KOhms	1	(650079-80)	(650079-80)	(650079-80)	(650079-80)	(650079-80)
R2	Resistor, Carbon Film, 1/4W, 3.3KOhm	1	(650079-85)	(650079-85)	(650079-85)	(650079-85)	(650079-85)
R20-22, R84, R87-90	Resistor, Carbon Film, 1/4W, 4.7KOhm	8	650079-89	650079-89	650079-89	650079-89	650079-89
R92	Resistor, Carbon Film, 1/4W, 8.2KOhm	1	(650079-95)	(650079-95)	(650079-95)	(650079-95)	(650079-95)
R19, 91	Resistor, Carbon Film, 1/4W, 10KOhm	2	(650079-97)	(650079-97)	(650079-97)	(650079-97)	(650079-97)
R18, 80 R83, 86	Resistor, Carbon Film, 1/4W, 47KOhm	4	(650080-14)	(650080-14)	(650080-14)	(650080-14)	(650080-14)
R4-16, R73, 81, R82, 93, R94	Resistor, Carbon Film, 1/4W, 100KOh	18	(650080-22)	(650080-22)	(650080-22)	(650080-22)	(650080-22)
R3, 74, R75, 96, R97	Resistor, Carbon Film, 1/4W, 220KOh	5	(650080-30)	(650080-30)	(650080-30)	(650080-30)	(650080-30)
C3, 8-10, C14, 16, C17, 20, C24	Capacitor, Ceramic Axial .1uF, 50V	9	(650085-55)	(650085-55)	(650085-55)	(650085-55)	(650085-55)

Note: Part Numbers enclosed in brackets ( ) are not available individually, but may be sold in assemblies or kits.

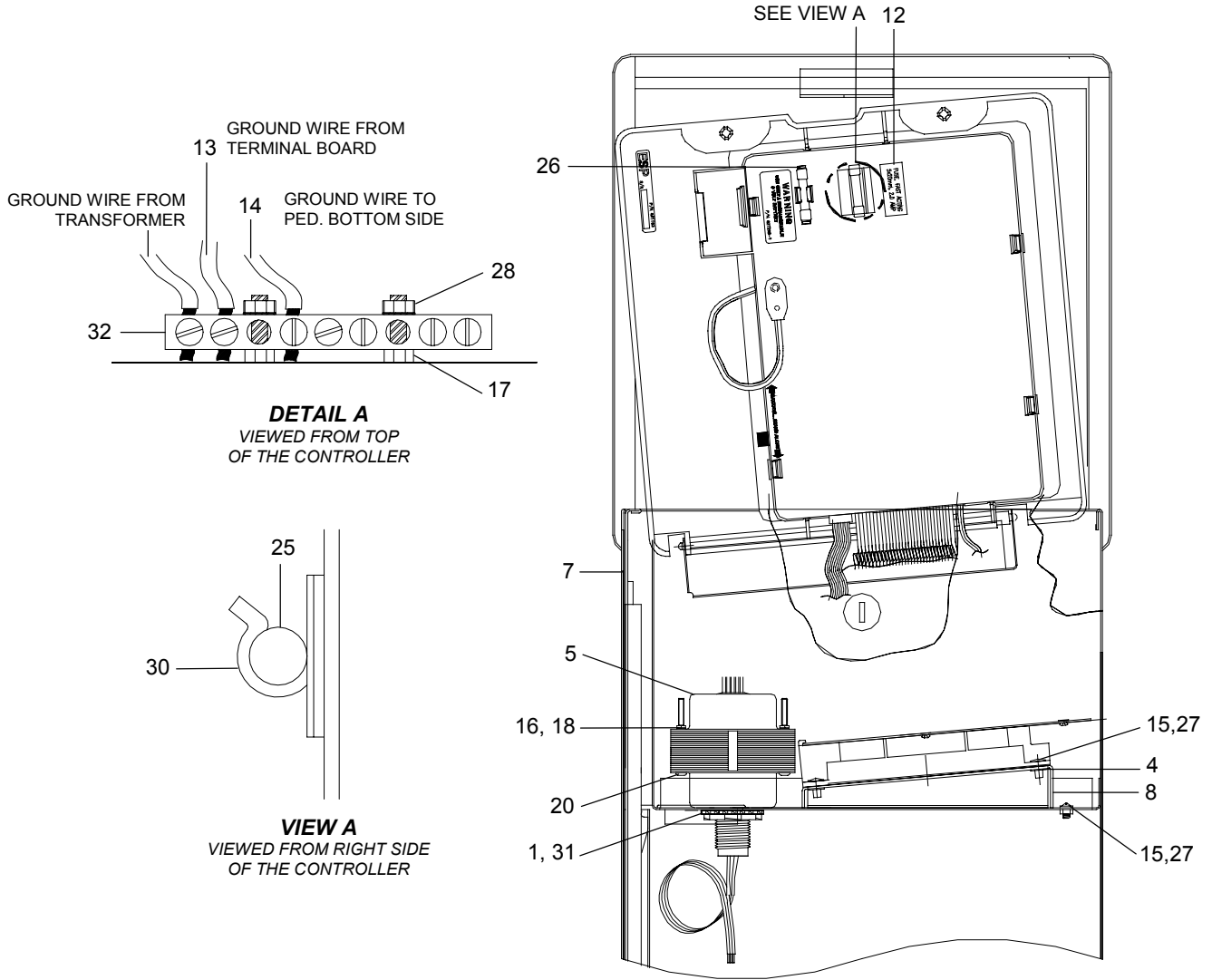
ESP12SATLP/ ESP16SATLP/ ESP24SATLP/ ESP32SATLP/ ESP40SATLP  
(LINK, PLASTIC WALL MOUNT, 120 VOLT, 60 Hz)

Ref.	Description	Qty.	12	16	24	32	40
<b>PWB ASSY ESP-MC ESC-1 CONTROLLER, CONT.</b>							
C21	Capacitor, Ceramic Axial .1uF, 50V	1	(650085-55)	(650085-55)	(650085-55)	(650085-55)	(650085-55)
C22	Capacitor, Ceramic Axial .1uF, 50V	1	-	-	(650085-55)	(650085-55)	(650085-55)
C18	Capacitor, Ceramic Axial .1uF, 50V	1	-	-	-	(650085-55)	(650085-55)
C19	Capacitor, Ceramic Axial .1uF, 50V	1	-	-	-	-	(650085-55)
U2	Rivet, Blind Dome HD .125 Dia	1	(650139-05)	(650139-05)	(650139-05)	(650139-05)	(650139-05)
R78,79	Resistor, Carbon Film, 1/2W, 1KOhm	2	(650202-73)	(650202-73)	(650202-73)	(650202-73)	(650202-73)
L1-7	Inductor, Ferrite Bead	7	650300-05	650300-05	650300-05	650300-05	650300-05
U3	I.C. Quad OP Amp	1	650358	650358	650358	650358	650358
Q3,4	Transistor, NPN, 625mW	2	650367	650367	650367	650367	650367
Q1,2	Transistor, PNP	2	650369	650369	650369	650369	650369
Y2	Crystal, Quartz 32.768KHz	1	(650484)	(650484)	(650484)	(650484)	(650484)
-	Lubricant, Switch	.001	(650588)	(650588)	(650588)	(650588)	(650588)
TS1	Transient Suppressor Bidirection 6.8V	1	(650595-01)	(650595-01)	(650595-01)	(650595-01)	(650595-01)
C5	Capacitor, Electrol, Axial 330uF, 25V	1	(650624)	(650624)	(650624)	(650624)	(650624)
U4	3-8Line Decoder	1	650699	650699	650699	650699	650699
S2-6	Switch, Pushbutton	5	(650748)	(650748)	(650748)	(650748)	(650748)
C1,2,11, C23,25	Capacitor, Ceramic Axial .01uF, 100V	5	(650882-01)	(650882-01)	(650882-01)	(650882-01)	(650882-01)
C6	Capacitor, NPO, Axial 100pF, 100V	1	(650883-13)	(650883-13)	(650883-13)	(650883-13)	(650883-13)
C26	Capacitor, NPO, Axial 220pF, 100V	1	(650883-17)	(650883-17)	(650883-17)	(650883-17)	(650883-17)
U5,8	8Bit Adressable Latch	2	650889	650889	650889	650889	650889
U9	8Bit Adressable Latch	1	650889	650889	650889	650889	650889
U10	8Bit Adressable Latch	1	-	-	650889	650889	650889
U6	8Bit Adressable Latch	1	-	-	-	650889	650889
U7	8Bit Adressable Latch	1	-	-	-	-	650889
DS1-8	Led, Red, .200Ctrs.	8	650910	650910	650910	650910	650910
U2	Regulator, Low Dropout	1	(650962)	(650962)	(650962)	(650962)	(650962)
J2	Eyelet, Spring	1	(650985)	(650985)	(650985)	(650985)	(650985)
J1	Header, Right Angle 100Ctrs 6Pins	1	(651005-06)	(651005-06)	(651005-06)	(651005-06)	(651005-06)
B1	Battery, Lithium	1	(651009)	(651009)	(651009)	(651009)	(651009)
B1	Holder, Battery Coin	1	(651010)	(651010)	(651010)	(651010)	(651010)
U11	I.C., Real Time Clock	1	(651011)	(651011)	(651011)	(651011)	(651011)
U12	I.C., EEPROM-4K Byte, Serial	1	(651012)	(651012)	(651012)	(651012)	(651012)
Y1	Resonator, Ceramic, 8.0MHz	1	(651013)	(651013)	(651013)	(651013)	(651013)
U13	I.C., 8 Bit Input Mux	1	(651014)	(651014)	(651014)	(651014)	(651014)
C4	Capacitor, Electrol, Axial 1000uF, 25V	1	(651054-12)	(651054-12)	(651054-12)	(651054-12)	(651054-12)
RPF1	Polyswitch, RXE 60V, .65A	1	(651055-08)	(651055-08)	(651055-08)	(651055-08)	(651055-08)
S9	Switch, Slide	1	(651292)	(651292)	(651292)	(651292)	(651292)

Note: Part Numbers enclosed in brackets ( ) are not available individually, but may be sold in assemblies or kits.

ESP12SATLS/ ESP16SATLS/ ESP24SATLS/ ESP32SATLS/ ESP40SATLS  
 (LINK, STAINLESS STEEL PEDESTAL, 120 VOLT, 60 Hz)

CONTROLLER ASSEMBLY

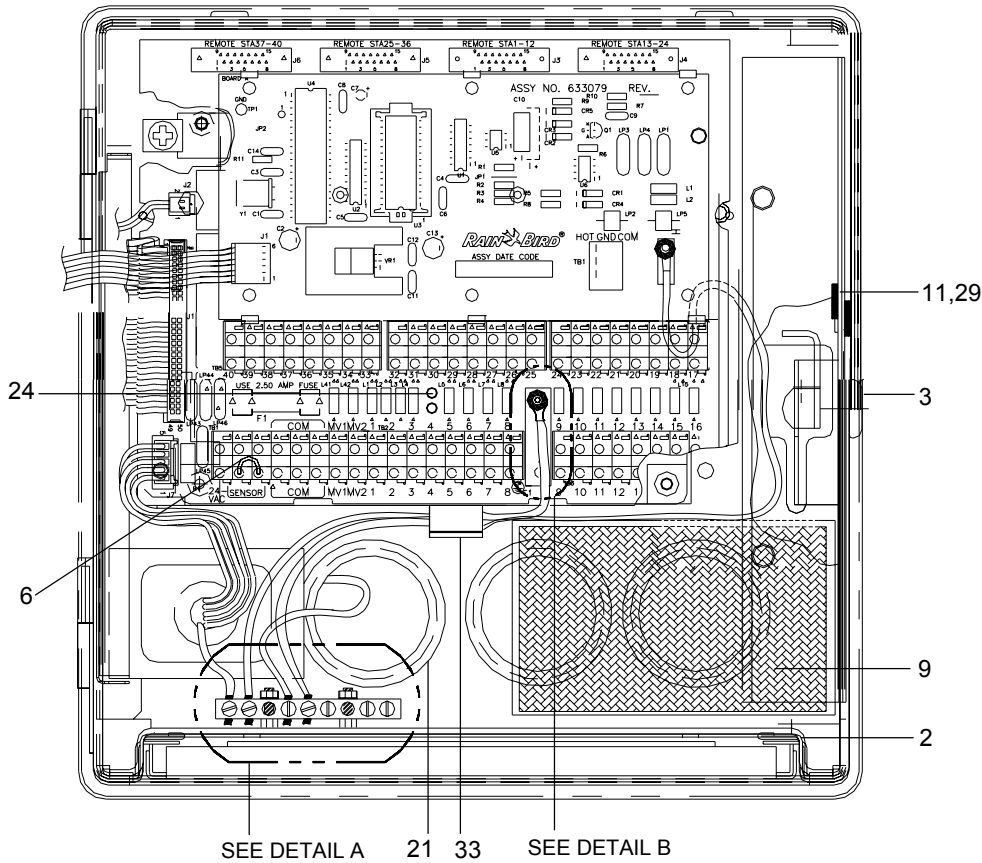


Ref.	Description	Qty.	12	16	24	32	40
<b>CONTROLLER ASSEMBLY</b>			(633487-01)	(633487-02)	(633487-03)	(633487-04)	(633487-05)
1	Locknut Conduit	1	(628013)	(628013)	(628013)	(628013)	(628013)
2	Panel Access Ped Top Opening	1	629466	629466	629466	629466	629466
3	Lock, Bent Cam	1	630336-02	630336-02	630336-02	630336-02	630336-02
4	Spacer, Termianl Board	1	(631919)	(631919)	(631919)	(631919)	(631919)
-	Cable Assy, 2Wire/Link Intfc-Mc	1	(633132)	(633132)	(633132)	(633132)	(633132)
5	Xfmr Assy, Link, 120V	1	633165-01	633165-01	633165-01	633165-01	633165-01
6	Sensor Jumper Wire	1	(633442)	(633442)	(633442)	(633442)	(633442)
7	Ped,SS,Top Opening-Esp-Sat	1	(633477)	(633477)	(633477)	(633477)	(633477)

Note: Part Numbers enclosed in brackets ( ) are not available individually, but may be sold in assemblies or kits.



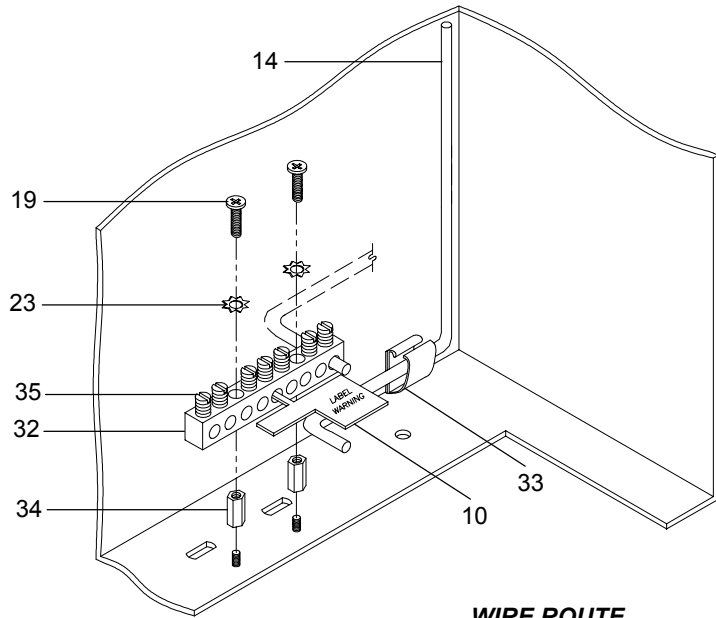
ESP12SATLS/ ESP16SATLS/ ESP24SATLS/ ESP32SATLS/ ESP40SATLS  
 (LINK, STAINLESS STEEL PEDESTAL, 120 VOLT, 60 Hz)



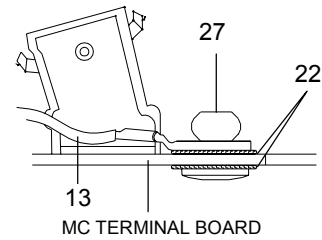
Ref.	Description	Qty.	12	16	24	32	40
<b>CONTROLLER ASSEMBLY, CONT.</b>							
8	Bracket, Term Mntng	1	(633485)	(633485)	(633485)	(633485)	(633485)
9	Box, Parts, Ss Ped-Esp-Sat	1	(633740)	(633740)	(633740)	(633740)	(633740)
-	Foam, Door Wedge, Ss Ped	1	(633743)	(633743)	(633743)	(633743)	(633743)
10	Label Warning Grounding	1	(634502)	(634502)	(634502)	(634502)	(634502)
11	Label, Warning Corrosion Inhib	1	(634558)	(634558)	(634558)	(634558)	(634558)
12	Label, Fuse 2.0 Amp.	1	(634616)	(634616)	(634616)	(634616)	(634616)
13	Ground Wire Assy 12 Awg (11)	1	(634943-11)	(634943-11)	(634943-11)	(634943-11)	(634943-11)
14	Ground Wire Assy 12 Awg (48)	1	(634943-48)	(634943-48)	(634943-48)	(634943-48)	(634943-48)
-	Washer, Flat #8 .032	4	(650023-10)	(650023-10)	(650023-10)	(650023-10)	(650023-10)
15	Washer, Flat #10 .032	8	(650023-13)	(650023-13)	(650023-13)	(650023-13)	(650023-13)
16	Washer, Ksdr, #8 .040, Cres	2	(650029-04)	(650029-04)	(650029-04)	(650029-04)	(650029-04)
17	Nut, Pl, Hex, #8-32, Cres, Psvtd	2	(650033-04)	(650033-04)	(650033-04)	(650033-04)	(650033-04)
18	Nut, Hex #8	2	(650034-04)	(650034-04)	(650034-04)	(650034-04)	(650034-04)
19	Screw 8-32 .750 Pn Hd	2	(650106-47)	(650106-47)	(650106-47)	(650106-47)	(650106-47)
20	Screw 8-32 x 3 Pn Hd	2	(650106-57)	(650106-57)	(650106-57)	(650106-57)	(650106-57)

Note: Part Numbers enclosed in brackets ( ) are not available individually, but may be sold in assemblies or kits.

ESP12SATLS/ ESP16SATLS/ ESP24SATLS/ ESP32SATLS/ ESP40SATLS  
 (LINK, STAINLESS STEEL PEDESTAL, 120 VOLT, 60 Hz)



**WIRE ROUTE**  
INSIDE BASE



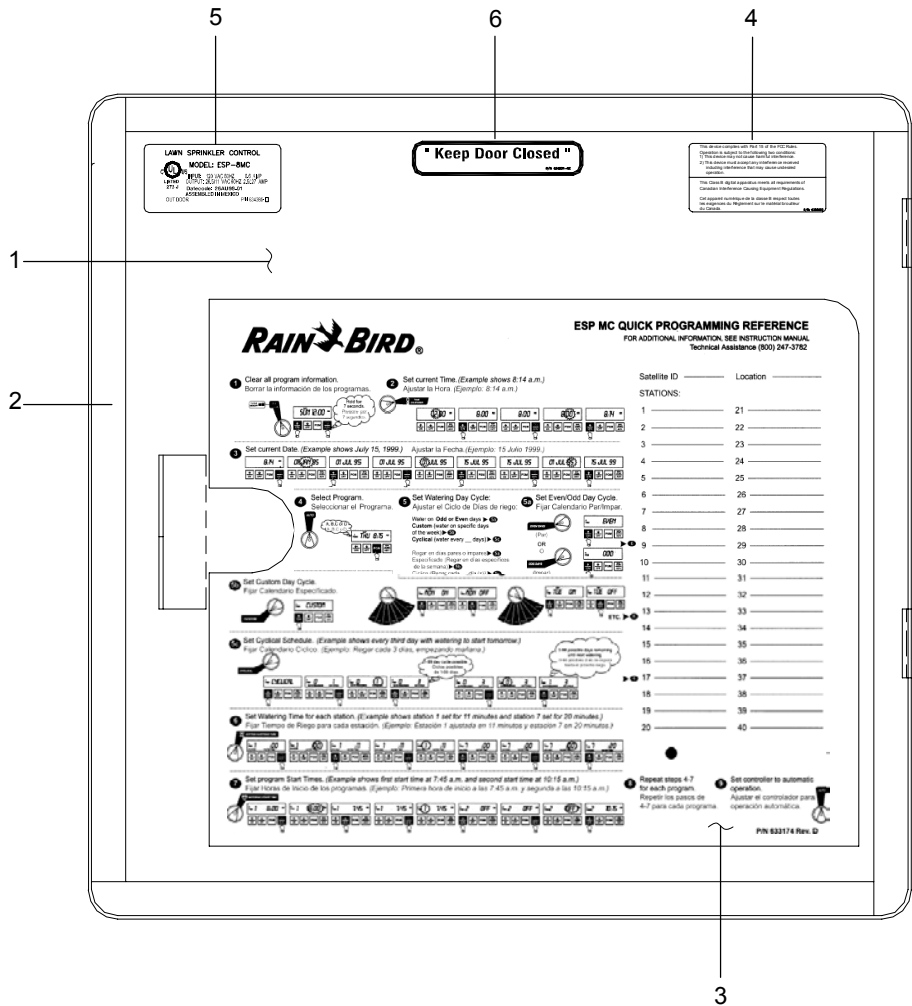
**DETAIL B**  
VIEWED FROM RIGHT SIDE  
OF THE CONTROLLER

Ref.	Description	Qty.	12	16	24	32	40
<b>CONTROLLER ASSEMBLY, CONT.</b>							
-	Cable Tie, Nylon 7/8 Bundle	1	650131	650131	650131	650131	650131
21	Bushing Snap Nylon	3	(650152-53)	(650152-53)	(650152-53)	(650152-53)	(650152-53)
22	Wshr Lk, #10, Ext-Tooth, Z-Pltd	2	(650162-04)	(650162-04)	(650162-04)	(650162-04)	(650162-04)
23	Washer #8 32 x 5/16	2	(650163-03)	(650163-03)	(650163-03)	(650163-03)	(650163-03)
24	Screw Phl Pnh Hi-Lo 7-19x1/2	3	(650183-63)	(650183-63)	(650183-63)	(650183-63)	(650183-63)
25	Fuse 5x20MM 2Amps	1	(650307-03)	(650307-03)	(650307-03)	(650307-03)	(650307-03)
26	Fuse ,Slowblow, 250V, 2-1/2 Amp	1	(650431-28)	(650431-28)	(650431-28)	(650431-28)	(650431-28)
27	Rivet, Blind 0.19	9	(650434-13)	(650434-13)	(650434-13)	(650434-13)	(650434-13)
-	Plug, Hole .250, Nyl, Black	1	(650485-03)	(650485-03)	(650485-03)	(650485-03)	(650485-03)
-	Plug, Hole .375, Nyl, Black	1	(650485-07)	(650485-07)	(650485-07)	(650485-07)	(650485-07)
-	Locknut Conduit	2	(650498)	(650498)	(650498)	(650498)	(650498)
28	Nut, 38-32 Hex W/Star Washer	2	(650634-04)	(650634-04)	(650634-04)	(650634-04)	(650634-04)
-	Spacer, Circuit Board, Edge Hold	6	(650912-10)	(650912-10)	(650912-10)	(650912-10)	(650912-10)
29	Impregnated Foam Corrosion Inh	1	(651331)	(651331)	(651331)	(651331)	(651331)
30	Holder Fuse	1	(651384)	(651384)	(651384)	(651384)	(651384)
31	Lock Washer, External Tooth	1	(651389)	(651389)	(651389)	(651389)	(651389)
32	Bar Bus Grounding	2	(651440)	(651440)	(651440)	(651440)	(651440)
33	Wire Clip With Adhesive	6	(651446-02)	(651446-02)	(651446-02)	(651446-02)	(651446-02)
34	Aluminum Hex Standoff	2	(651500-09)	(651500-09)	(651500-09)	(651500-09)	(651500-09)
35	Slotted Set Screw 1-4-28x.500	7	(651510)	(651510)	(651510)	(651510)	(651510)

Note: Part Numbers enclosed in brackets ( ) are not available individually, but may be sold in assemblies or kits.

ESP12SATLS/ ESP16SATLS/ ESP24SATLS/ ESP32SATLS/ ESP40SATLS  
(LINK, STAINLESS STEEL PEDESTAL, 120 VOLT, 60 Hz)

DOOR ASSEMBLY

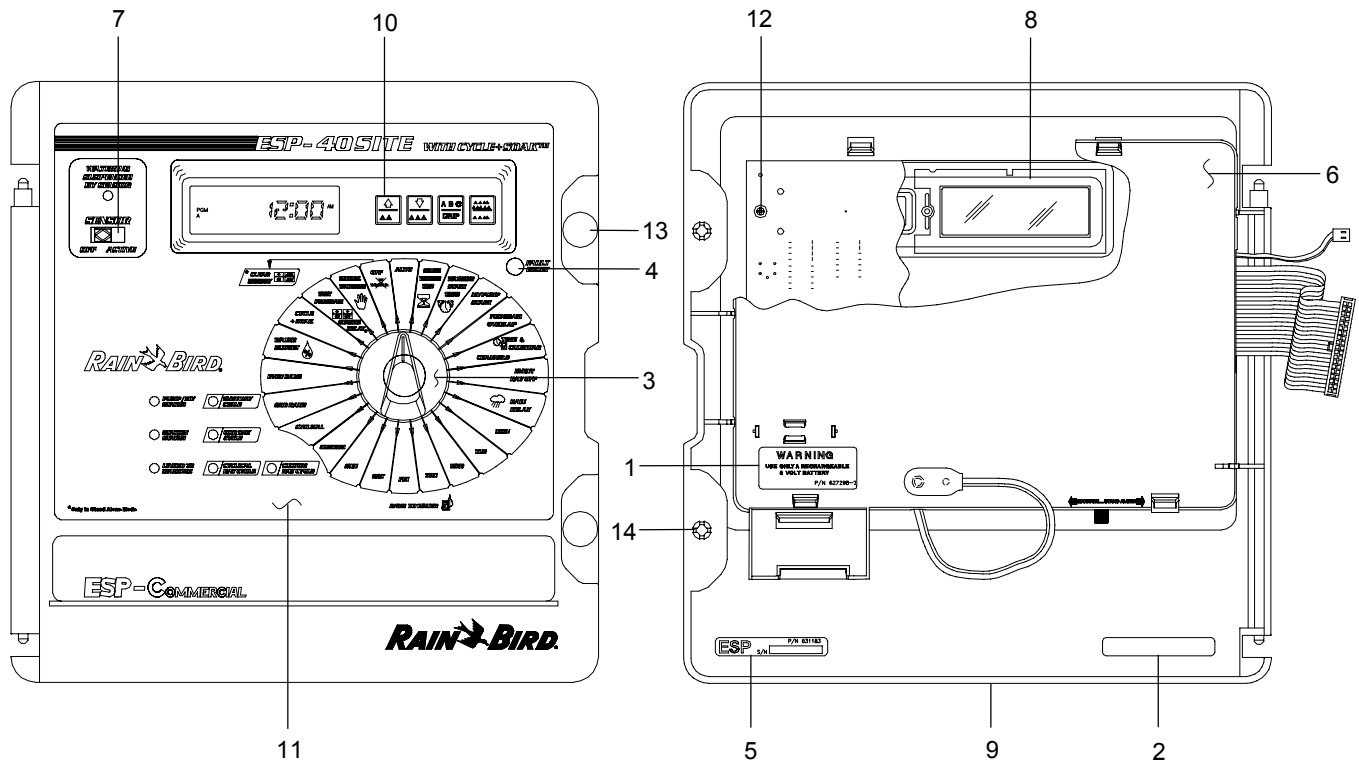


Ref.	Description	Qty.	12	16	24	32	40
	<b>DOOR ASSEMBLY</b>		(633482-05)	(633482-05)	(633482-05)	(633482-05)	(633482-05)
-	Door Assy, Pedestal	1	(629463)	(629463)	(629463)	(629463)	(629463)
1	Door, Pedestal1	1	(629465)	(629465)	(629465)	(629465)	(629465)
2	Gasket Foam S/S Ped 4 Per	4	(629499)	(629499)	(629499)	(629499)	(629499)
3	Label/Envelope	1	(633174)	(633174)	(633174)	(633174)	(633174)
4	Label, Fcc Compliance	1	(633662)	(633662)	(633662)	(633662)	(633662)
5	Label, Rating	1	(634385-07)	(634385-07)	(634385-07)	(634385-07)	(634385-07)
6	Label Keep Door Closed	1	(634501)	(634501)	(634501)	(634501)	(634501)

Note: Part Numbers enclosed in brackets ( ) are not available individually, but may be sold in assemblies or kits.

ESP12SATLS/ ESP16SATLS/ ESP24SATLS/ ESP32SATLS/ ESP40SATLS  
(LINK, STAINLESS STEEL, 120 VOLT, 60 Hz)

FRONT PANEL ASSEMBLY

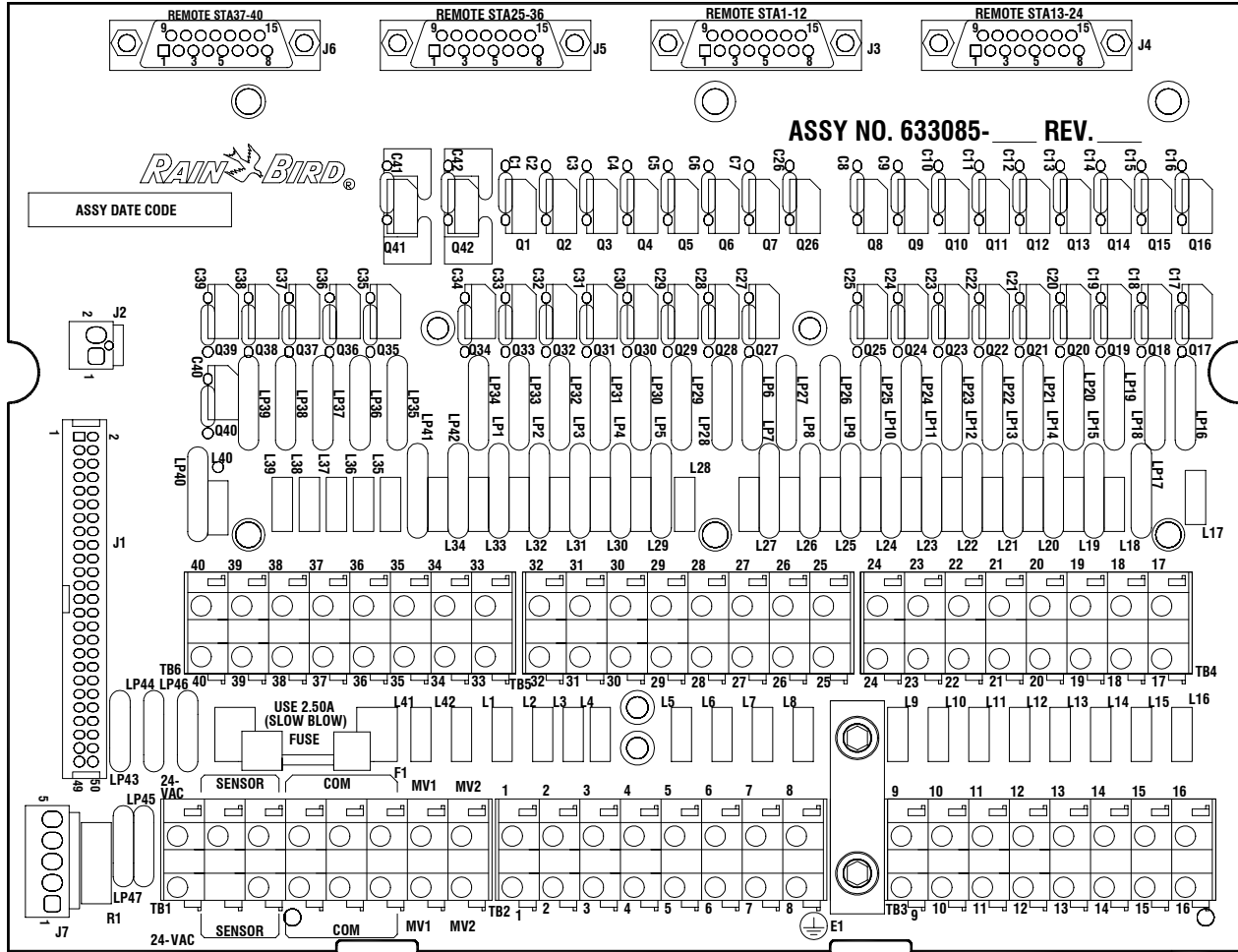


Ref.	Description	Qty.	12	16	24	32	40
<b>FRONT PANEL ASSEMBLY</b>			(633461-02)	(633461-03)	(633461-04)	(633461-05)	(633461-06)
1	Label Warning Cic 8/12	1	(627298)	(627298)	(627298)	(627298)	(627298)
2	Label Date Code	1	(627867)	(627867)	(627867)	(627867)	(627867)
3	Func Select Knob Assy, Gray	1	630946	630946	630946	630946	630946
-	Esp Func Select Knob, Gray	1	(630947)	(630947)	(630947)	(630947)	(630947)
-	Ring Compression	1	(650505-06)	(650505-06)	(650505-06)	(650505-06)	(650505-06)
4	Button, Tm Pb Switch	1	(631136)	(631136)	(631136)	(631136)	(631136)
5	Label, Serial	1	(631183)	(631183)	(631183)	(631183)	(631183)
6	Cover, Pwb	1	(631920)	(631920)	(631920)	(631920)	(631920)
7	Switch, Actuator- Paragon	1	(632510)	(632510)	(632510)	(632510)	(632510)
8	Lens, Lcd-Esp-C-Lx	1	632700	632700	632700	632700	632700
9	Fp/Shield Assy-Esp-C	1	(632906)	(632906)	(632906)	(632906)	(632906)
-	Front Panel Esp-Mc	1	(631918)	(631918)	(631918)	(631918)	(631918)
-	Shield, Front Panel-Esp-C	1	(632897)	(632897)	(632897)	(632897)	(632897)
10	Keypad, Silicone	1	(632908)	(632908)	(632908)	(632908)	(632908)
11	Overlay, Fr Panel	1	(633324-02)	(633324-03)	(633324-04)	(633324-05)	(633324-06)
12	Screw, 4-24 x 5/16 Hi-Lo W/Wshr	5	(650563-23)	(650563-23)	(650563-23)	(650563-23)	(650563-23)
13	Lock, Plunger	2	(650927-02)	(650927-02)	(650927-02)	(650927-02)	(650927-02)
14	Lock, Grommet	2	(650928-02)	(650928-02)	(650928-02)	(650928-02)	(650928-02)

Note: Part Numbers enclosed in brackets ( ) are not available individually, but may be sold in assemblies or kits.

IESP12SITEP/ IESP16SITEP/ IESP24SITEP/ IESP32SITEP/ IESP40SITEP  
 (PLASTIC WALL MOUNT, INTERNATIONAL, 240 VOLT, 50 Hz)

PWB ASSY TERMINAL



Ref.	Description	Qty.	12	16	24	32	40
<b>PWB ASSY TERMINAL</b>							
LP45,47	Mov 56V,1000A	2	(633085-08)	(633085-09)	(633085-10)	(633085-11)	(633085-12)
LP46	Mov 56V,1000A	1	624624	624624	624624	624624	624624
-	Label, Bar Code 39	1	(631356-01)	(631356-01)	(631356-01)	(631356-01)	(631356-01)
-	Printed Wiring Board	1	(633086)	(633086)	(633086)	(633086)	(633086)
-	Solder	.001	(650160)	(650160)	(650160)	(650160)	(650160)
L1-8, L41,L42	Inductor, Ferrite Bead	10	650300-05	650300-05	650300-05	650300-05	650300-05
L9-12	Inductor, Ferrite Bead	4	650300-05	650300-05	650300-05	650300-05	650300-05
L13-16	Inductor, Ferrite Bead	4	-	650300-05	650300-05	650300-05	650300-05
L17-24	Inductor, Ferrite Bead	8	-	-	650300-05	650300-05	650300-05
L25-32	Inductor, Ferrite Bead	8	-	-	-	650300-05	650300-05

Note: Part Numbers enclosed in brackets ( ) are not available individually, but may be sold in assemblies or kits.

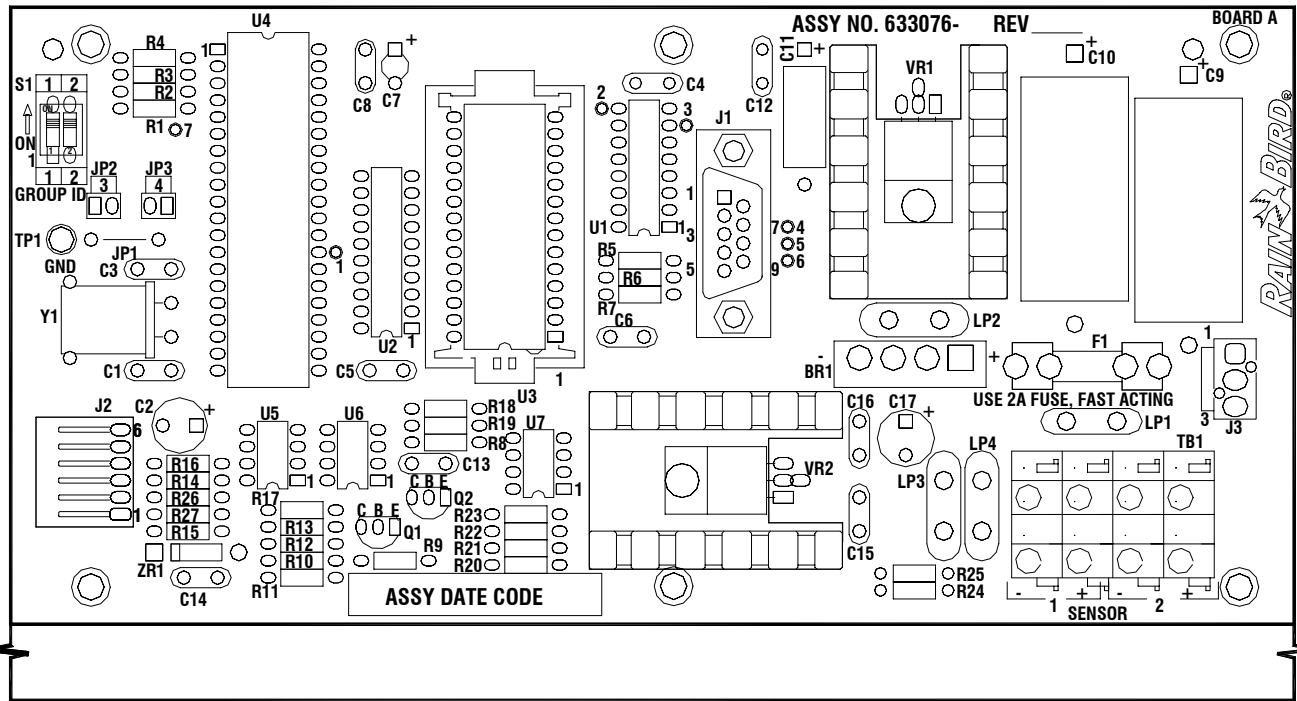
IESP12SITEP/ IESP16SITEP/ IESP24SITEP/ IESP32SITEP/ IESP40SITEP  
(PLASTIC WALL MOUNT, INTERNATIONAL, 240 VOLT, 50 Hz)

Ref.	Description	Qty.	12	16	24	32	40
<b>PWB ASSY TERMINAL, CONT.</b>							
L33-40	Inductor, Ferrite Bead	8	-	-	-	-	650300-05
-	Mini Fuse Clips .197 Dia	2	(650308)	(650308)	(650308)	(650308)	(650308)
J3	Connector, DB15S 15Pins	1	(650610-06)	(650610-06)	(650610-06)	(650610-06)	(650610-06)
J4	Connector, DB15S 15Pins	1	-	(650610-06)	(650610-06)	(650610-06)	(650610-06)
J5	Connector, DB15S 15Pins	1	-	-	-	(650610-06)	(650610-06)
J6	Connector, DB15S 15Pins	1	-	-	-	-	(650610-06)
J3	Jack Socket Kit	1	(650620)	(650620)	(650620)	(650620)	(650620)
J4	Jack Socket Kit	1	-	(650620)	(650620)	(650620)	(650620)
J5	Jack Socket Kit	1	-	-	-	(650620)	(650620)
J6	Jack Socket Kit	1	-	-	-	-	(650620)
R1	Resistor, 2%, 2W, .1Ohm	1	(650766-01)	(650766-01)	(650766-01)	(650766-01)	(650766-01)
LP1-8	Mov 20MM 47V, 2000A	10	650796	650796	650796	650796	650796
LP41,42	Mov 20MM 47V, 2000A	4	650796	650796	650796	650796	650796
LP9-12	Mov 20MM 47V, 2000A	4	-	650796	650796	650796	650796
LP13-16	Mov 20MM 47V, 2000A	8	-	-	650796	650796	650796
LP17-24	Mov 20MM 47V, 2000A	8	-	-	-	650796	650796
LP25-32	Mov 20MM 47V, 2000A	8	-	-	-	-	650796
LP33-40	Mov 20MM 47V, 2000A	8	-	-	-	-	650796
J1	Header, Polzd., .100Ctrs. 50Pins.	1	(650872-50)	(650872-50)	(650872-50)	(650872-50)	(650872-50)
LP44	Mov 47V, 1000A	1	650875	650875	650875	650875	650875
C1-8	Capacitor Ceramic Axial .01uF, 100V	10	(650882-01)	(650882-01)	(650882-01)	(650882-01)	(650882-01)
C41,42	Capacitor Ceramic Axial .01uF, 100V	4	(650882-01)	(650882-01)	(650882-01)	(650882-01)	(650882-01)
C9-12	Capacitor Ceramic Axial .01uF, 100V	4	-	(650882-01)	(650882-01)	(650882-01)	(650882-01)
C13-16	Capacitor Ceramic Axial .01uF, 100V	8	-	-	(650882-01)	(650882-01)	(650882-01)
C17-24	Capacitor Ceramic Axial .01uF, 100V	8	-	-	-	(650882-01)	(650882-01)
C25-32	Capacitor Ceramic Axial .01uF, 100V	8	-	-	-	-	(650882-01)
C33-40	Capacitor Ceramic Axial .01uF, 100V	8	-	-	-	-	(650882-01)
-	Mini Fuse .197Dia 2.5 Amp	1	650966-14	650966-14	650966-14	650966-14	650966-14
TB1,2	Terminal Block .300spc 1Pos	16	(651000-01)	(651000-01)	(651000-01)	(651000-01)	(651000-01)
TB3	Terminal Block .300spc 1Pos	8	(651000-01)	(651000-01)	(651000-01)	(651000-01)	(651000-01)
TB4	Terminal Block .300spc 1Pos	8	-	-	(651000-01)	(651000-01)	(651000-01)
TB5	Terminal Block .300spc 1Pos	8	-	-	-	(651000-01)	(651000-01)
TB6	Terminal Block .300spc 1Pos	8	-	-	-	-	(651000-01)
Q1-8	Triac, 6Amps	10	651138	651138	651138	651138	651138
Q41,42	Triac, 6Amps	4	651138	651138	651138	651138	651138
Q9-12	Triac, 6Amps	4	-	651138	651138	651138	651138
Q13-16	Triac, 6Amps	8	-	-	651138	651138	651138
Q17-24	Triac, 6Amps	8	-	-	-	651138	651138
Q25-32	Triac, 6Amps	8	-	-	-	-	651138
Q33-40	Triac, 6Amps	8	-	-	-	-	651138
LP43	Mov 50V, 2500A	1	(651272)	(651272)	(651272)	(651272)	(651272)

Note: Part Numbers enclosed in brackets ( ) are not available individually, but may be sold in assemblies or kits.

ESP12SATLS/ ESP16SATLS/ ESP24SATLS/ ESP32SATLS/ ESP40SATLS  
(LINK, STAINLESS STEEL, 120 VOLT, 60 Hz)

PWB ASSY ESP-MC LINK



Ref.	Description	Qty.	12	16	24	32	40
<b>PWB ASSY ESP-MC LINK</b>							
S1	Dip Switch, Spst	1	(633076-01)	(633076-01)	(633076-01)	(633076-01)	(633076-01)
-	Label, bar Code 39	1	(631012-02)	(631012-02)	(631012-02)	(631012-02)	(631012-02)
-	Printed Wiring Board	1	(631356-01)	(631356-01)	(631356-01)	(631356-01)	(631356-01)
U3	Prom Carrier Assy	1	(633077)	(633077)	(633077)	(633077)	(633077)
-	Label,Mat. Brady .375 x 1.00	1	633323-03	633323-03	633323-03	633323-03	633323-03
-	Carrier Ic 28 Pin	1	(632347-02)	(632347-02)	(632347-02)	(632347-02)	(632347-02)
-	Ic 27c256, Dip Eprom	1	(650517-02)	(650517-02)	(650517-02)	(650517-02)	(650517-02)
C1,3	Capacitor,Ceramic Disc 30pF,50V	2	(650715)	(650715)	(650715)	(650715)	(650715)
C4-6,8 C12,14 C15,16	Capacitor,Ceramic Disc 0.1uF,50V	8	(650012-15)	(650012-15)	(650012-15)	(650012-15)	(650012-15)
C13	Capacitor, Ceramic Disc .01uF,50V	1	650013-45	650013-45	650013-45	650013-45	650013-45
LP1-4	Mov 33V,500A	4	(650014-27)	(650014-27)	(650014-27)	(650014-27)	(650014-27)
			650015	650015	650015	650015	650015

Note: Part Numbers enclosed in brackets ( ) are not available individually, but may be sold in assemblies or kits.

ESP12SATLS/ ESP16SATLS/ ESP24SATLS/ ESP32SATLS/ ESP40SATLS  
(LINK, STAINLESS STEEL, 120 VOLT, 60 Hz)

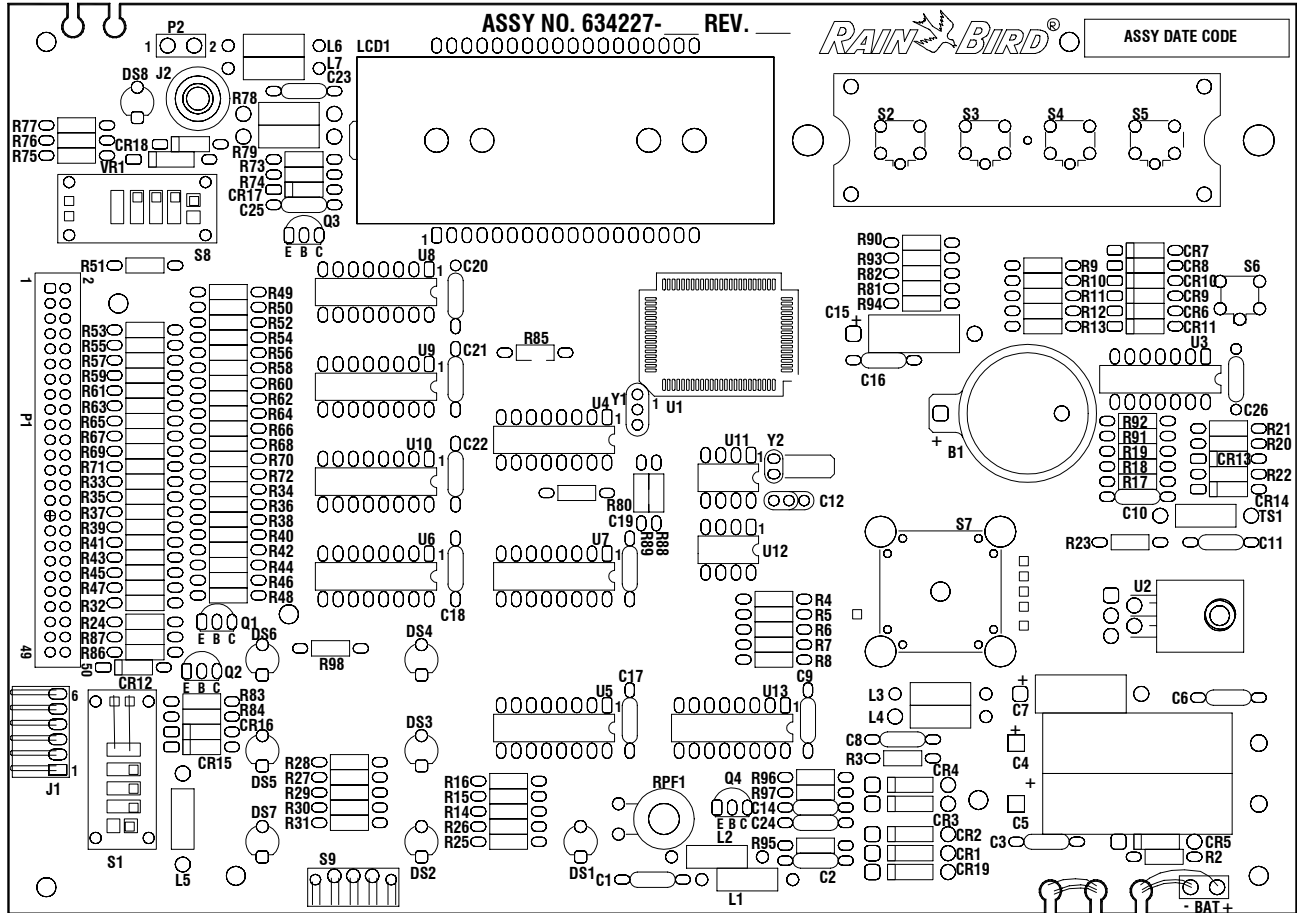
Ref.	Description	Qty.	12	16	24	32	40
<b>PWB ASSY ESP-MC LINK, CONT.</b>							
ZR1	Diode Zener	1	(650038-70)	(650038-70)	(650038-70)	(650038-70)	(650038-70)
C11	Capacitor,Electrl,Axial 47uF,25V	1	(650045-08)	(650045-08)	(650045-08)	(650045-08)	(650045-08)
R14	Resistor,Carbon Film,1/4W 100Ohms	1	650079-49	650079-49	650079-49	650079-49	650079-49
R16,17	Resistor,Carbon Film,1/4W 270Ohms	2	(650079-59)	(650079-59)	(650079-59)	(650079-59)	(650079-59)
R20-23	Resistor,Carbon Film,1/4W 1K Ohm	4	(650079-73)	(650079-73)	(650079-73)	(650079-73)	(650079-73)
R15	Resistor,Carbon Film,1/4W 1.5KOhm	1	(650079-77)	(650079-77)	(650079-77)	(650079-77)	(650079-77)
R24-26	Resistor,Carbon Film,1/4W 2KOhms	3	(650079-80)	(650079-80)	(650079-80)	(650079-80)	(650079-80)
R5-9, R11,13 R18,19	Resistor,Carbon Film,1/4W 4.7Kohm	9	650079-89	650079-89	650079-89	650079-89	650079-89
R27 R1-4	Resistor,Carbon Film, 1/4W 10KOhm	1	650079-97	650079-97	650079-97	650079-97	650079-97
R10,12	Resistor,Carbon Film, 1/4W 47KOhm	6	(650080-14)	(650080-14)	(650080-14)	(650080-14)	(650080-14)
VR1,2	Grease	0.01	(650101)	(650101)	(650101)	(650101)	(650101)
VR1,2	Rivet,Blind,Dome-head .125Dia	2	(650139-05)	(650139-05)	(650139-05)	(650139-05)	(650139-05)
-	Solder	0.01	(650160)	(650160)	(650160)	(650160)	(650160)
F1	Fuse, Mini, .197Dia 2Amps	1	(650307-03)	(650307-03)	(650307-03)	(650307-03)	(650307-03)
F1	Mini Fuse, Clips,.197Dia	2	(650308)	(650308)	(650308)	(650308)	(650308)
VR2	Voltage Regulator +5V	1	650332	650332	650332	650332	650332
VR1,2	Heatsink	2	(650335)	(650335)	(650335)	(650335)	(650335)
TP1	Test Point, PC Mount	1	(650336-01)	(650336-01)	(650336-01)	(650336-01)	(650336-01)
Q1,2	Transistor, PNP	2	650369	650369	650369	650369	650369
U5-7	I.C.,Opto Coupler	3	650445	650445	650445	650445	650445
U3	Socket, Prom Carrier 28 Pins	1	650518-02	650518-02	650518-02	650518-02	650518-02
BR1	Bridge, Rectifier 4A,200V	1	650581-03	650581-03	650581-03	650581-03	650581-03
C7	Capacitor,Tantalum Radial 2.2uF25V	1	650583-03	650583-03	650583-03	650583-03	650583-03
C2,17	Capacitor,Tantalum Radial 22uF25V	2	650583-09	650583-09	650583-09	650583-09	650583-09
J1	Connector DB-9S	1	(650610-05)	(650610-05)	(650610-05)	(650610-05)	(650610-05)
U2	Ic,Octal D-Type Latch	1	650611	650611	650611	650611	650611
J1	Jack Socket Kit	1	(650620)	(650620)	(650620)	(650620)	(650620)
Y1	Wire 22Awg Auto-Inserted .450Lead	0.55	(650625-03)	(650625-03)	(650625-03)	(650625-03)	(650625-03)
Y1	Crystal, Quartz 11.059MHz	1	650721	650721	650721	650721	650721
U1	Hex Bus Driver	1	650776	650776	650776	650776	650776
J3	Header,.156Ctrs 3 Pins	1	(650893-03)	(650893-03)	(650893-03)	(650893-03)	(650893-03)
VR1	Voltage Regulator +8V	1	650939	650939	650939	650939	650939
C9,10	Capacitor,Electrl,Axial 3300uF,25V	2	(650954)	(650954)	(650954)	(650954)	(650954)
TB1	Terminal. Blk. .300Ctrs 1 Posicion	4	(651000-01)	(651000-01)	(651000-01)	(651000-01)	(651000-01)
J2	Header,Polzd.,Ra.0.098 Ctrs.	1	(651005-06)	(651005-06)	(651005-06)	(651005-06)	(651005-06)
U4	Ic,Microcomputer	1	651031	651031	651031	651031	651031

Note: Part Numbers enclosed in brackets ( ) are not available individually, but may be sold in assemblies or kits.



ESP12SATLS/ ESP16SATLS/ ESP24SATLS/ ESP32SATLS/ ESP40SATLS  
(LINK, STAINLESS STEEL, 120 VOLT, 60 Hz)

PWB ASSY ESP-MC ESC-1 CONTROLLER



Ref.	Description	Qty.	12	16	24	32	40
<b>PWB ASSY ESP-MC ESC-1 CONTROLLER</b>			(634227-02)	(634227-03)	(634227-04)	(634227-05)	(634227-06)
S7	Switch Rotary	1	(630609)	(630609)	(630609)	(630609)	(630609)
S8	Switch, Slide	1	(630651)	(630651)	(630651)	(630651)	(630651)
-	Label, Bar Code 39	1	(631356-01)	(631356-01)	(631356-01)	(631356-01)	(631356-01)
LCD1	Spacer, LCD	1	(632046)	(632046)	(632046)	(632046)	(632046)
P2	Sensor Cable	1	(632048-01)	(632048-01)	(632048-01)	(632048-01)	(632048-01)
J2	Spring, Shield .70 Long	1	(632898-01)	(632898-01)	(632898-01)	(632898-01)	(632898-01)
LCD1	Liquid, Crystal Display	1	(633087)	(633087)	(633087)	(633087)	(633087)
U1	Microcomp., Toshiba, OTP	1	(633088)	(633088)	(633088)	(633088)	(633088)
P1	Ribbon Cable Assy 50Ckts	1	(633090)	(633090)	(633090)	(633090)	(633090)
-	Printed Wiring Board	1	(634228)	(634228)	(634228)	(634228)	(634228)
C12	Capacitor, ceramic radial 6pF, 50V	1	(650012-04)	(650012-04)	(650012-04)	(650012-04)	(650012-04)
U2	Washer, Flat, carbon Steel	1	(650023-03)	(650023-03)	(650023-03)	(650023-03)	(650023-03)

Note: Part Numbers enclosed in brackets ( ) are not available individually, but may be sold in assemblies or kits.

ESP12SATLS/ ESP16SATLS/ ESP24SATLS/ ESP32SATLS/ ESP40SATLS  
(LINK, STAINLESS STEEL, 120 VOLT, 60 Hz)

Ref.	Description	Qty.	12	16	24	32	40
<b>PWB ASSY ESP-MC ESC-1 CONTROLLER, CONT.</b>							
CR6	Diode, Switching	1	650037-01	650037-01	650037-01	650037-01	650037-01
CR7	Diode, Switching	1	650037-01	-	650037-01	-	650037-01
CR8	Diode, Switching	1	-	650037-01	650037-01	-	-
CR9	Diode, Switching	1	-	-	-	650037-01	650037-01
CR11-18	Diode, Switching	8	650037-01	650037-01	650037-01	650037-01	650037-01
VR1	Diode, Zener, 500mW, 5.6V	1	(650038-71)	(650038-71)	(650038-71)	(650038-71)	(650038-71)
C7, 15	Capacitor, Electrolytic, Axial 47uF, 10V	2	(650044-03)	(650044-03)	(650044-03)	(650044-03)	(650044-03)
BAT	Battery Snap 9V	1	650075	650075	650075	650075	650075
CR1-5 C19	Diode, Gen Purpose, 1Amp	6	650077-02	650077-02	650077-02	650077-02	650077-02
R23, 85 R98	Resistor, Carbon Film, 1/4W, 10Ohms	2	(650079-25)	(650079-25)	(650079-25)	(650079-25)	(650079-25)
R49-56 R24, 32,	Resistor, Carbon Film 1/4W, 150Ohms	11	(650079-53)	(650079-53)	(650079-53)	(650079-53)	(650079-53)
R57-60	Resistor, Carbon Film 1/4W, 150Ohms	4	(650079-53)	(650079-53)	(650079-53)	(650079-53)	(650079-53)
R61-64	Resistor, Carbon Film 1/4W, 150Ohms	4	-	(650079-53)	(650079-53)	(650079-53)	(650079-53)
R65-72	Resistor, Carbon Film 1/4W, 150Ohms	8	-	-	(650079-53)	(650079-53)	(650079-53)
R33-40	Resistor, Carbon Film 1/4W, 150Ohms	8	-	-	-	(650079-53)	(650079-53)
R41-48	Resistor, Carbon Film 1/4W, 150Ohms	8	-	-	-	-	(650079-53)
R25-31	Resistor, Carbon Film 1/4W 470Ohms	7	(650079-65)	(650079-65)	(650079-65)	(650079-65)	(650079-65)
R17, 95	Resistor, Carbon Film, 1/4W, 1KOhm	2	(650079-73)	(650079-73)	(650079-73)	(650079-73)	(650079-73)
R76	Resistor, Carbon Film, 1/4W, 2KOhms	1	(650079-80)	(650079-80)	(650079-80)	(650079-80)	(650079-80)
R2	Resistor, Carbon Film, 1/4W 3.3KOhms	1	(650079-85)	(650079-85)	(650079-85)	(650079-85)	(650079-85)
R88-90 R84, 87 R20-22	Resistor, Carbon Film, 1/4W, 4.7KOhms	8	650079-89	650079-89	650079-89	650079-89	650079-89
R92	Resistor, Carbon Film, 1/4W, 8.2KOhms	1	(650079-95)	(650079-95)	(650079-95)	(650079-95)	(650079-95)
R19, 91	Resistor, Carbon Film, 1/4W, 10Kohms	2	(650079-97)	(650079-97)	(650079-97)	(650079-97)	(650079-97)
R83, 86 R18, 80 R94	Resistor, Carbon Film, 1/4W, 47KOhms	4	(650080-14)	(650080-14)	(650080-14)	(650080-14)	(650080-14)
R82, 93, R43, 81 R4-16	Resistor, Carbon Film, 1/4W 100Kohms	18	(650080-22)	(650080-22)	(650080-22)	(650080-22)	(650080-22)
R96, 97 R74, 75 R3	Resistor, Carbon Film, 1/4W, 220KOhms	5	(650080-30)	(650080-30)	(650080-30)	(650080-30)	(650080-30)
C20, 24 C16, 17 C10, 14 C3, 8, 9	Capacitor, Ceramic Axial .1uF, 50V	9	(650085-55)	(650085-55)	(650085-55)	(650085-55)	(650085-55)

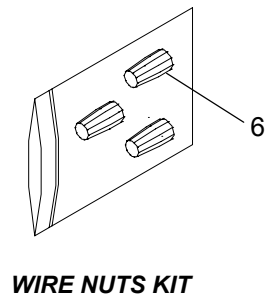
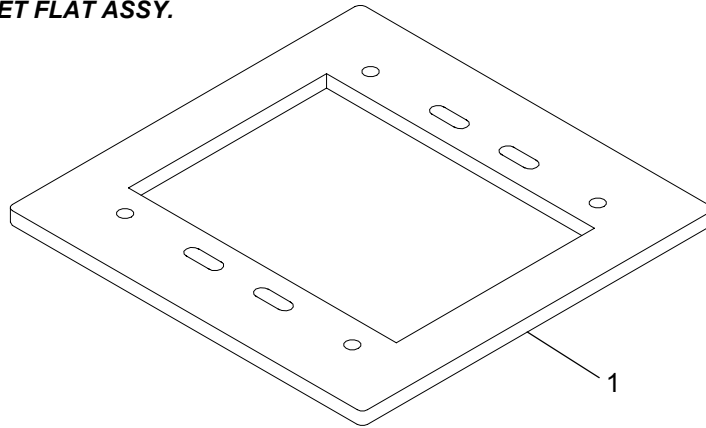
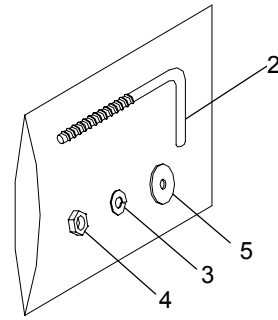
Note: Part Numbers enclosed in brackets ( ) are not available individually, but may be sold in assemblies or kits.

ESP12SATLS/ ESP16SATLS/ ESP24SATLS/ ESP32SATLS/ ESP40SATLS  
(LINK, STAINLESS STEEL, 120 VOLT, 60 Hz)

Ref.	Description	Qty.	12	16	24	32	40
<b>PWB ASSY ESP-MC ESC-1 CONTROLLER, CONT.</b>							
C21	Capacitor, Ceramic Axial .1uF, 50V	1	(650085-55)	(650085-55)	(650085-55)	(650085-55)	(650085-55)
C22	Capacitor, Ceramic Axial .1uF, 50V	1	-	-	(650085-55)	(650085-55)	(650085-55)
C18	Capacitor, Ceramic Axial .1uF, 50V	1	-	-	-	(650085-55)	(650085-55)
C19	Capacitor, Ceramic Axial .1uF, 50V	1	-	-	-	-	(650085-55)
U2	Rivet, Blind Dome HD. .125Dia	1	(650139-05)	(650139-05)	(650139-05)	(650139-05)	(650139-05)
R78,79	Resistor, Carbon Film, 1/2W, 1KOhms	2	(650202-73)	(650202-73)	(650202-73)	(650202-73)	(650202-73)
L1-7	Inductor, Ferrite Bead	7	650300-05	650300-05	650300-05	650300-05	650300-05
U3	IC Quad OP Amp	1	650358	650358	650358	650358	650358
Q3,4	Transistor, NPN, 624mW	2	650367	650367	650367	650367	650367
Q1,2	Transistor, PNP	2	650369	650369	650369	650369	650369
Y2	Crystal, Quartz 32.768KHz	1	(650484)	(650484)	(650484)	(650484)	(650484)
TS1	Transient Suppressor 6.8V	1	(650595-01)	(650595-01)	(650595-01)	(650595-01)	(650595-01)
C5	Capacitor, Electrolytic, Axial 330uF, 25V	1	(650624)	(650624)	(650624)	(650624)	(650624)
U4	3-8 Line Decoder	1	650699	650699	650699	650699	650699
S2,3,4 S5,6	Switch, Pushbutton	5	(650748)	(650748)	(650748)	(650748)	(650748)
C23,25 C1,2,11	Capacitor, ceramic Axial .01uF, 100V	5	(650882-01)	(650882-01)	(650882-01)	(650882-01)	(650882-01)
C6	Capacitor, NPO, Axial 10pF, 100V	1	(650883-13)	(650883-13)	(650883-13)	(650883-13)	(650883-13)
C26	Capacitor, NPO, Axial 220pF, 100V	1	(650883-17)	(650883-17)	(650883-17)	(650883-17)	(650883-17)
U5,8	8Bit Addressable Latch	2	650889	650889	650889	650889	650889
U9	8Bit Addressable Latch	1	650889	650889	650889	650889	650889
U10	8Bit Addressable Latch	1	-	-	650889	650889	650889
U6	8Bit Addressable Latch	1	-	-	-	650889	650889
U7	8Bit Addressable Latch	1	-	-	-	-	650889
DS1-8	Led, red, .200Ctrs.	8	650910	650910	650910	650910	650910
U2	Regulator, Low Dropout	1	(650962)	(650962)	(650962)	(650962)	(650962)
J2	Eyelet, Spring	1	(650985)	(650985)	(650985)	(650985)	(650985)
J1	Header, Polzd. Radial, .100Ctrs 6Pins	1	(651005-06)	(651005-06)	(651005-06)	(651005-06)	(651005-06)
B1	Battery, Lithium	1	(651009)	(651009)	(651009)	(651009)	(651009)
B1	Holder, Battery Coin	1	(651010)	(651010)	(651010)	(651010)	(651010)
U11	IC, Real Time Clock	1	(651011)	(651011)	(651011)	(651011)	(651011)
U12	IC, EEPROM-4K Byte, Serial	1	(651012)	(651012)	(651012)	(651012)	(651012)
Y1	Resonator, ceramic 8.00MHz	1	(651013)	(651013)	(651013)	(651013)	(651013)
U13	IC, 8Bit Input Mux	1	(651014)	(651014)	(651014)	(651014)	(651014)
C4	Capacitor, Electrolytic, Axial 1000uF, 25V	1	(651054-12)	(651054-12)	(651054-12)	(651054-12)	(651054-12)
RPF1	Polyswitch, RXE, 60V, .65A	1	(651055-08)	(651055-08)	(651055-08)	(651055-08)	(651055-08)
S9	Switch Slide	1	(651292)	(651292)	(651292)	(651292)	(651292)

Note: Part Numbers enclosed in brackets ( ) are not available individually, but may be sold in assemblies or kits.

ESP12SATLS/ ESP16SATLS/ ESP24SATLS/ ESP32SATLS/ ESP40SATLS  
 (LINK, STAINLESS STEEL PEDESTAL, 120 VOLT, 60 Hz)

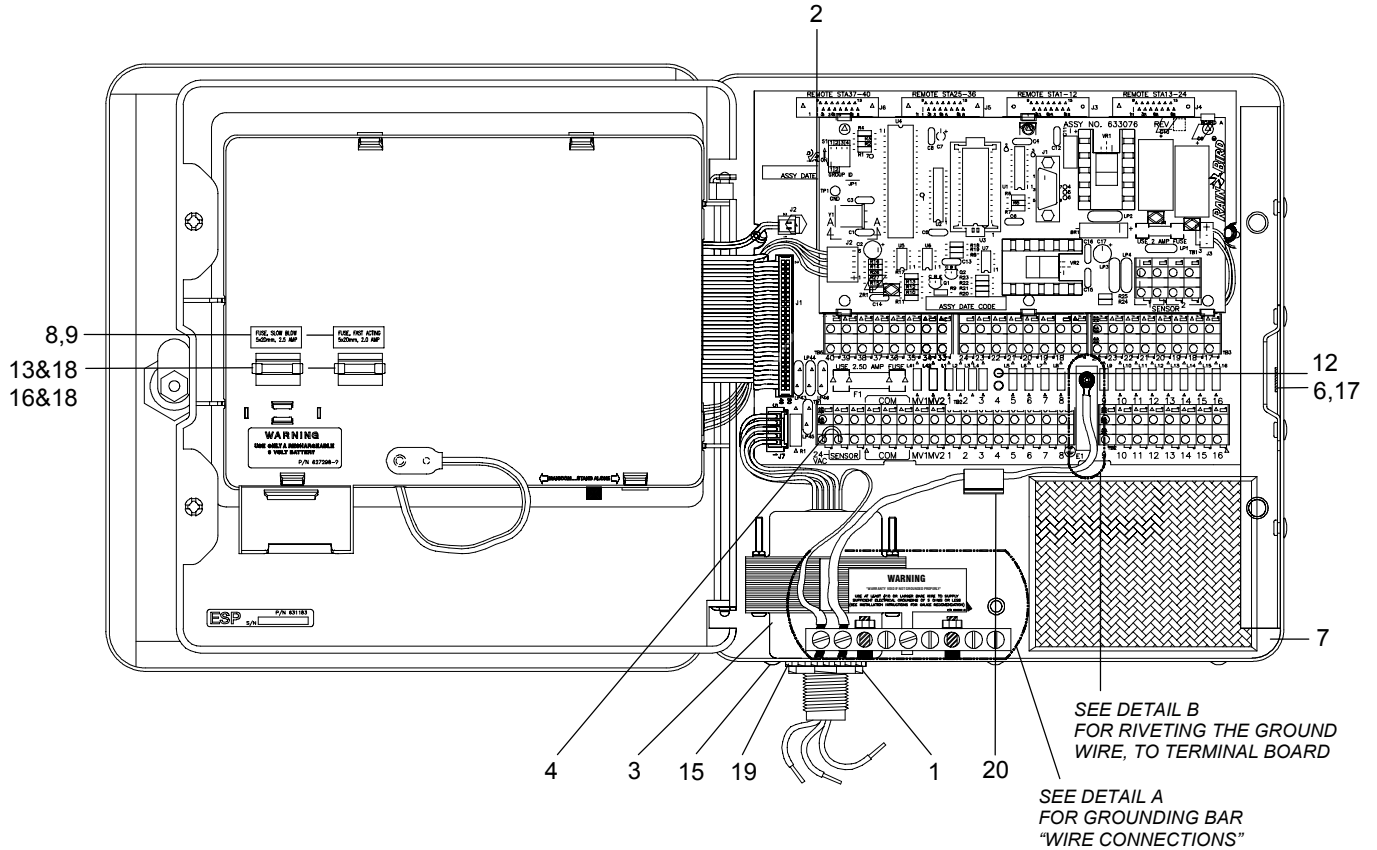


Ref.	Description	Qty.	12	16	24	32	40
<b>ACCESSORIES</b>							
-	Bag, Poly 6x8	2	(601846)	(601846)	(601846)	(601846)	(601846)
1	Template Mounting Plastic	1	629602	629602	629602	629602	629602
	Card, Costumer Registration-Tm	1	(632354)	(632354)	(632354)	(632354)	(632354)
-	Mounting Hardware						
2	Bolt Anchor	4	629557	629557	629557	629557	629557
3	Washer 5/16 Lock-Spring	4	(650029-07)	(650029-07)	(650029-07)	(650029-07)	(650029-07)
4	Nut, Hex 5/16	4	(650033-07)	(650033-07)	(650033-07)	(650033-07)	(650033-07)
5	Washer Flat 5/6 Type B	4	(650441)	(650441)	(650441)	(650441)	(650441)
-	Instructions, Installation & Oper	1	633686	633686	633686	633686	633686
-	Instruction, Installation & Oper Spanis	1	(633696)	(633696)	(633696)	(633696)	(633696)
-	Guide, Operations Addendum	1	(633942)	(633942)	(633942)	(633942)	(633942)
-	Wire Nuts, Kit	1	(634613)	(634613)	(634613)	(634613)	(634613)
-	Label Warning Hang Tag-Local	1	(634503)	(634503)	(634503)	(634503)	(634503)
-	Bag, Zip Lock	1	(650924-01)	(650924-01)	(650924-01)	(650924-01)	(650924-01)
6	Wire Nut 22-14,	3	(651351)	(651351)	(651351)	(651351)	(651351)
-	Grounding Int. Addendum Ss Cont	1	(635009)	(635009)	(635009)	(635009)	(635009)
7	Assy, Screw Driver Pocket Flat	1	(650810)	(650810)	(650810)	(650810)	(650810)
-	Label, Screw Driver	1	(635095)	(635095)	(635095)	(635095)	(635095)
-	Screw Driver Pocket Flat Blade	1	(651475)	(651475)	(651475)	(651475)	(651475)
-	Bag, Zip Lock, Plastic 2.5x3	1	(650924-01)	(650924-01)	(650924-01)	(650924-01)	(650924-01)
-	Battery, Nicad 7.2V	1	650929	650929	650929	650929	650929

Note: Part Numbers enclosed in brackets ( ) are not available individually, but may be sold in assemblies or kits.

IESP12SATLW/ IESP16SATLW/ IESP24SATLW/ IESP32SATLW/ IESP40SATLW  
 (LINK, METAL WALL MOUNT, INTERNATIONAL, 240 VOLT, 50 Hz)

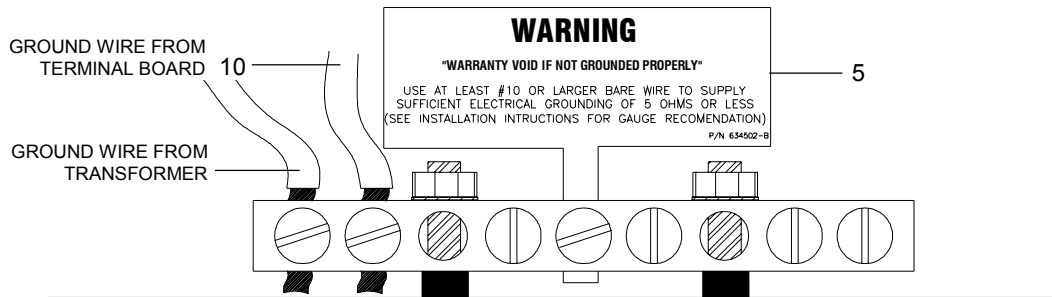
CONTROLLER ASSEMBLY



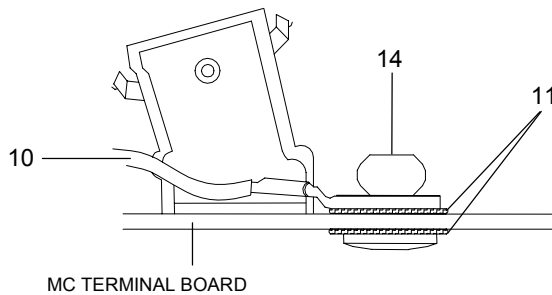
Ref.	Description	Qty.	12	16	24	32	40
<b>CONTROLLER ASSEMBLY</b>			(633508-08)	(633508-09)	(633508-10)	(633508-11)	(633508-12)
1	Locknut Conduit	1	(628013)	(628013)	(628013)	(628013)	(628013)
2	Cable Assy, 2Wire/Link Intfc-Mc	1	(633132)	(633132)	(633132)	(633132)	(633132)
3	Xfmr Assy, Link, 230V	1	(633165-02)	(633165-02)	(633165-02)	(633165-02)	(633165-02)
4	Sensor Jumper Wire	1	(633442)	(633442)	(633442)	(633442)	(633442)
-	Label, Caution	1	(633657)	(633657)	(633657)	(633657)	(633657)
5	Label Warning Grounding	1	(634502)	(634502)	(634502)	(634502)	(634502)
6	Label, Warning Corrosion Inhib	1	(634558)	(634558)	(634558)	(634558)	(634558)
7	Parts Box Wm Cabinets	1	(634612)	(634612)	(634612)	(634612)	(634612)
8	Label, Fuse 2.5 Amp	1	(634615)	(634615)	(634615)	(634615)	(634615)
9	Label, Fuse 2.0 Amp.	1	(634616)	(634616)	(634616)	(634616)	(634616)
10	Ground Wire Assy 12 Awg (11)	1	(634943-11)	(634943-11)	(634943-11)	(634943-11)	(634943-11)

Note: Part Numbers enclosed in brackets ( ) are not available individually, but may be sold in assemblies or kits.

IESP12SATLW/ IESP16SATLW/ IESP24SATLW/ IESP32SATLW/ IESP40SATLW  
 (LINK, METAL WALL MOUNT, INTERNATIONAL, 240 VOLT, 50 Hz)



**DETAIL A**  
 VIEWED FROM OUTSIDE  
 OF THE CONTROLLER



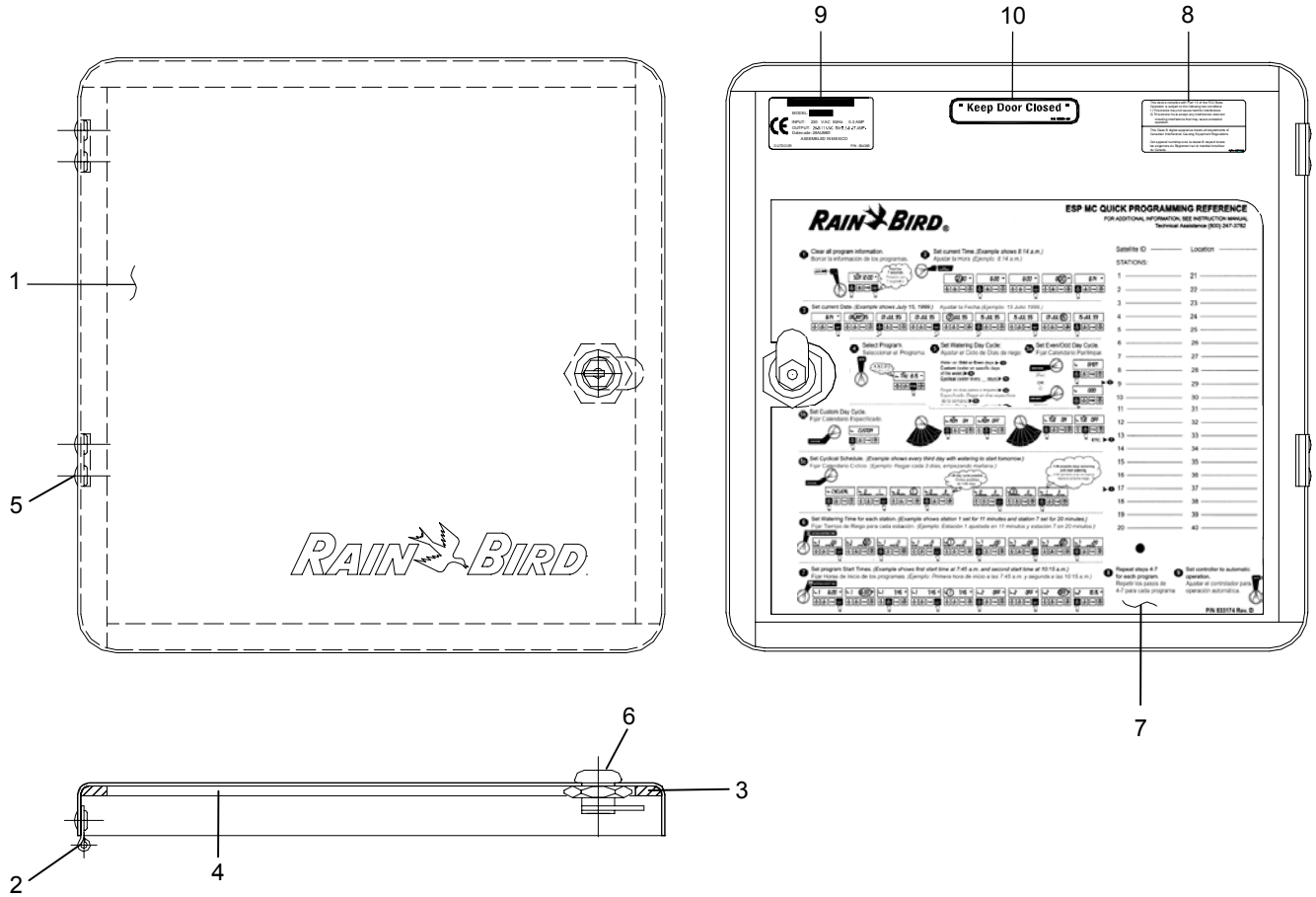
**DETAIL B**  
 VIEWED FROM RIGHT SIDE  
 OF THE CONTROLLER

Ref.	Description	Qty.	12	16	24	32	40
<b>CONTROLLER ASSEMBLY, CONT.</b>							
-	Label, Keyhole	2	(635011)	(635011)	(635011)	(635011)	(635011)
11	Wshr Lk, #10, Ext-Tooth, Z-Pltd	2	(650162-04)	(650162-04)	(650162-04)	(650162-04)	(650162-04)
12	Screw Phl Pnh Hi-Lo 7-19x1/2	3	(650183-63)	(650183-63)	(650183-63)	(650183-63)	(650183-63)
13	Fuse 5x20Mm 2Amps	1	(650307-03)	(650307-03)	(650307-03)	(650307-03)	(650307-03)
14	Rivet, Blind 0.19	1	(650434-13)	(650434-13)	(650434-13)	(650434-13)	(650434-13)
15	Plug, Hole .250,Nyl, White	5	(650485-04)	(650485-04)	(650485-04)	(650485-04)	(650485-04)
-	Spacer, Circuit Board, Edge Hold	6	(650912-10)	(650912-10)	(650912-10)	(650912-10)	(650912-10)
16	Fuse, 5x20MM, Slow Blow 2 ½ Amp	1	650966-14	650966-14	650966-14	650966-14	650966-14
17	Impregnated Foam Corrosion Inh	1	(651331)	(651331)	(651331)	(651331)	(651331)
18	Holder Fuse	2	(651384)	(651384)	(651384)	(651384)	(651384)
19	Lock Washer, External Tooth	1	(651389)	(651389)	(651389)	(651389)	(651389)
20	Wire Clip With Adhesive	1	(651446-02)	(651446-02)	(651446-02)	(651446-02)	(651446-02)

Note: Part Numbers enclosed in brackets ( ) are not available individually, but may be sold in assemblies or kits.

IESP12SATLW/ IESP16SATLW/ IESP24SATLW/ IESP32SATLW/ IESP40SATLW  
 (LINK, METAL WALL MOUNT, INTERNATIONAL, 240 VOLT, 50 Hz)

DOOR ASSEMBLY

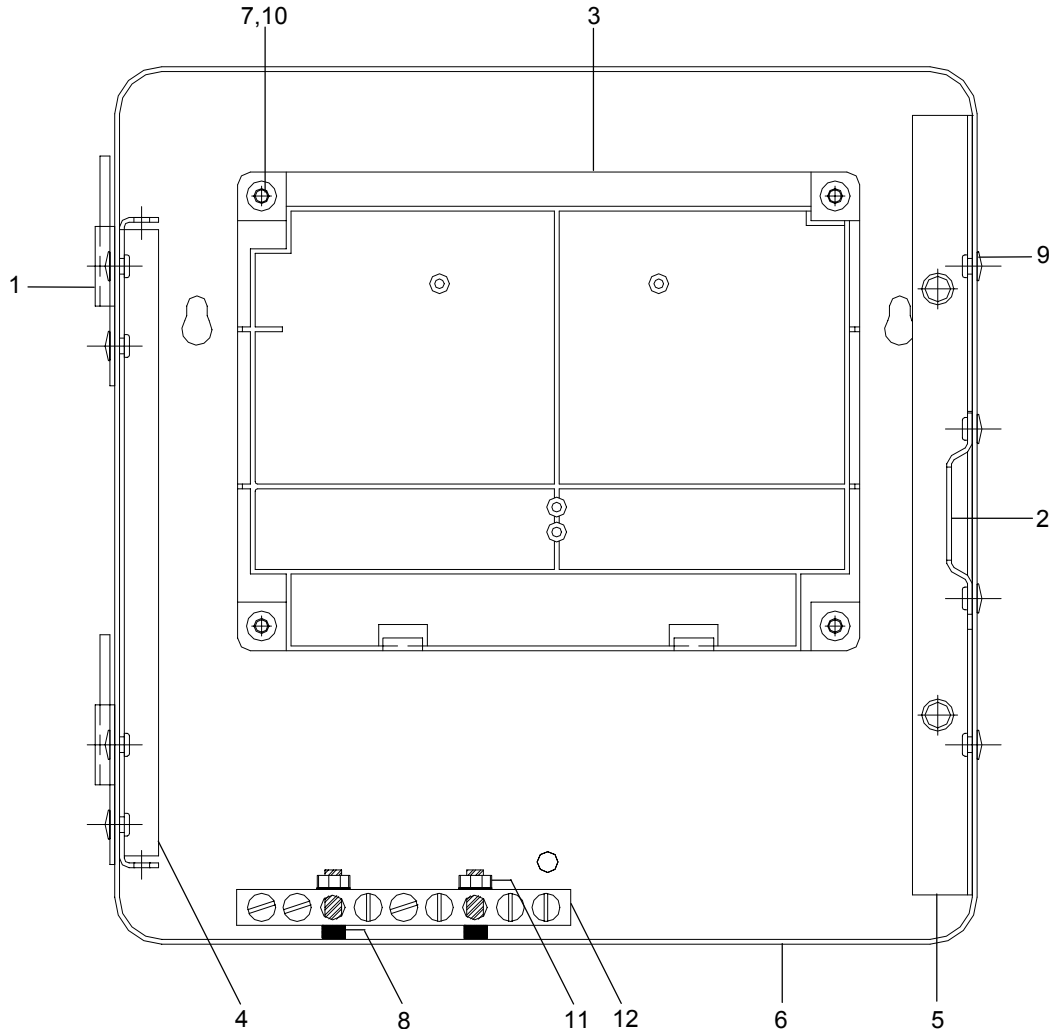


Ref.	Description	Qty.	12	16	24	32	40
<b>DOOR ASSEMBLY</b>			(633173-06)	(633173-06)	(633173-06)	(633173-06)	(633173-06)
-	Door Assy, Gray Dep Draw	1	629321-03	629321-03	629321-03	629321-03	629321-03
1	Door, Painted Gray	1	(629113-03)	(629113-03)	(629113-03)	(629113-03)	(629113-03)
2	Hing Slip Joint F	2	(629227-02)	(629227-02)	(629227-02)	(629227-02)	(629227-02)
3	Gasket Foam 10.63	2	(629620-01)	(629620-01)	(629620-01)	(629620-01)	(629620-01)
4	Gasket Foam 10.43	2	(629620-02)	(629620-02)	(629620-02)	(629620-02)	(629620-02)
5	Rivet Semi Tubular Oval A	4	(650401)	(650401)	(650401)	(650401)	(650401)
6	Lock, Cam	1	650755	650755	650755	650755	650755
7	Label/Envelope	1	(633174)	(633174)	(633174)	(633174)	(633174)
8	Label, Fcc Compliance	1	(633662)	(633662)	(633662)	(633662)	(633662)
9	Label, Rating	1	(634385-08)	(634385-08)	(634385-08)	(634385-08)	(634385-08)
10	Label, Keep Door Closed	1	(634501)	(634501)	(634501)	(634501)	(634501)

Note: Part Numbers enclosed in brackets ( ) are not available individually, but may be sold in assemblies or kits.

IESP12SATLW/ IESP16SATLW/ IESP24SATLW/ IESP32SATLW/ IESP40SATLW  
 (LINK, METAL WALL MOUNT, INTERNATIONAL, 240 VOLT, 50 Hz)

CABINET ASSEMBLY



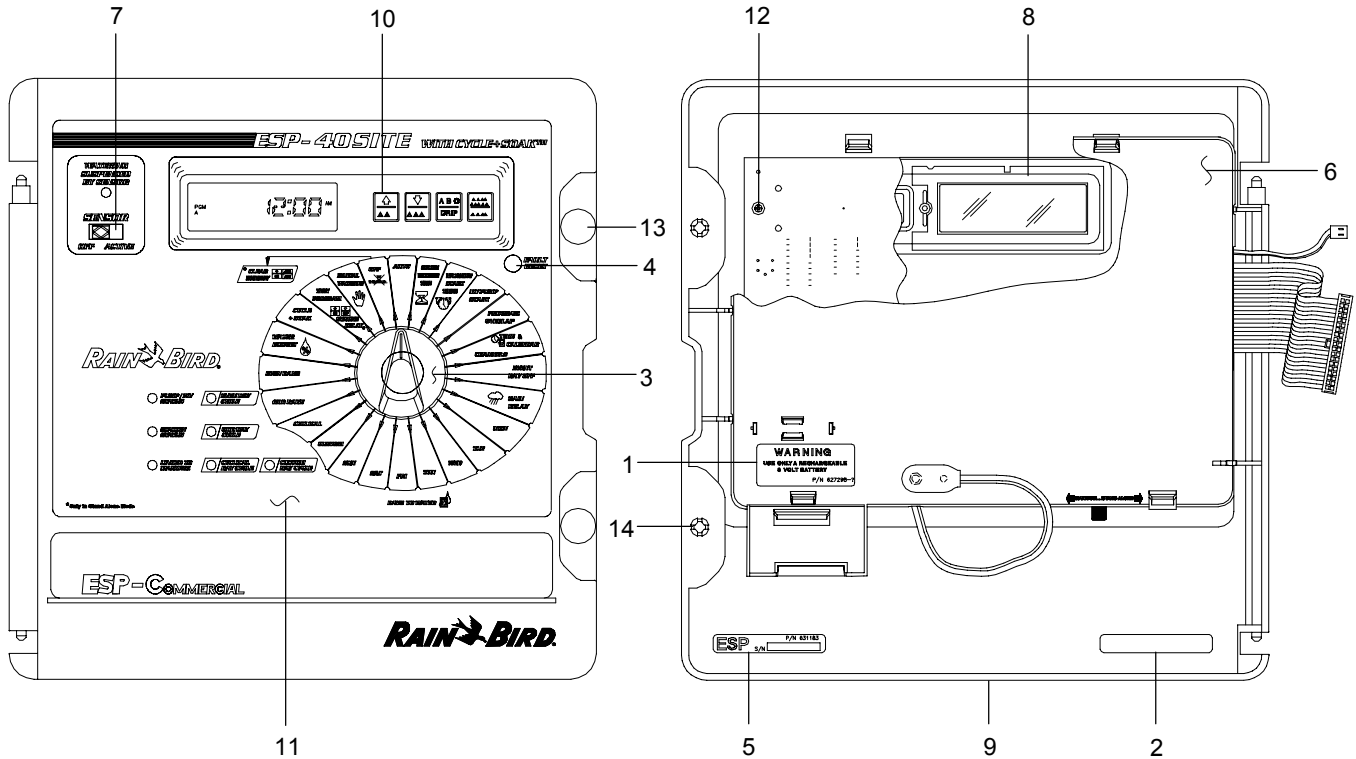
Ref.	Description	Qty.	12	16	24	32	40
<b>CABINET ASSEMBLY</b>			(633166-01)	(633166-01)	(633166-01)	(633166-01)	(633166-01)
1	Hinge Slip Joint M	2	(629227-01)	(629227-01)	(629227-01)	(629227-01)	(629227-01)
2	Strike Lock	1	(629234)	(629234)	(629234)	(629234)	(629234)
3	Spacer, Terminal Board	1	(631919)	(631919)	(631919)	(631919)	(631919)
4	Rail, Hinge	1	(631921)	(631921)	(631921)	(631921)	(631921)
5	Rail, Mounting Paragon	1	(631922)	(631922)	(631922)	(631922)	(631922)
6	Cabinet Draw Formed	1	(634126-03)	(634126-03)	(634126-03)	(634126-03)	(634126-03)
7	Washer, Flat #10 .032	4	(650023-13)	(650023-13)	(650023-13)	(650023-13)	(650023-13)
8	Nut, Pl, Hex, #8-32, Cres, Psvtd	2	(650033-04)	(650033-04)	(650033-04)	(650033-04)	(650033-04)
9	Rivet Semi Tubular Oval A	8	(650401)	(650401)	(650401)	(650401)	(650401)
10	Rivet, Blid 0.19	4	(650434-13)	(650434-13)	(650434-13)	(650434-13)	(650434-13)
11	Nut, #8-32 Hex W/Star Washer	2	(650634-04)	(650634-04)	(650634-04)	(650634-04)	(650634-04)
12	Bar Bus Grounding	1	(651440)	(651440)	(651440)	(651440)	(651440)

Note: Part Numbers enclosed in brackets ( ) are not available individually, but may be sold in assemblies or kits.



IESP12SATLW/ IESP16SATLW/ IESP24SATLW/ IESP32SATLW/ IESP40SATLW  
 (LINK, METAL WALL MOUNT, INTERNATIONAL, 240 VOLT, 50 Hz)

**FRONT PANEL ASSEMBLY**

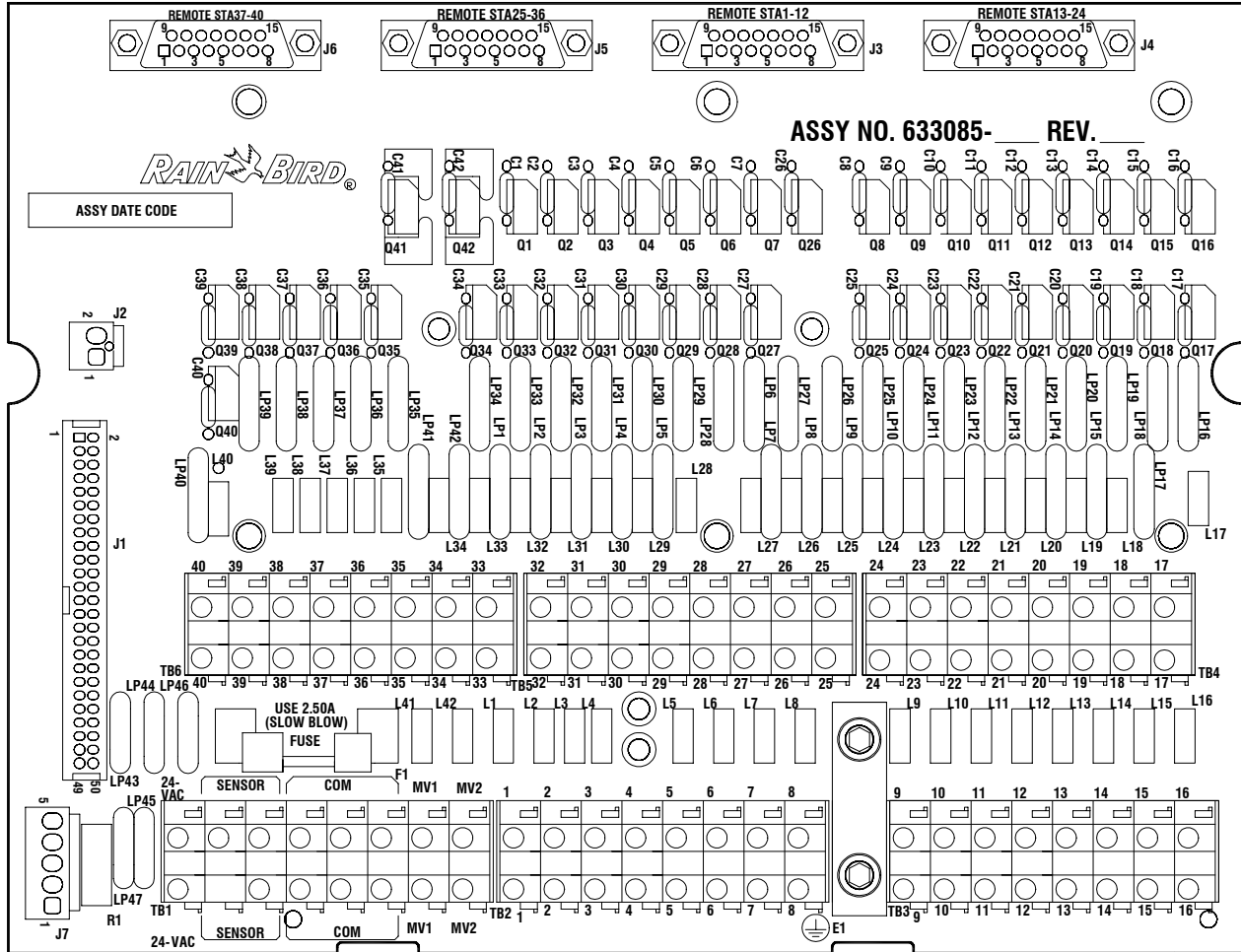


Ref.	Description	Qty.	12	16	24	32	40
<b>FRONT PANEL ASSEMBLY</b>			(633461-02)	(633461-03)	(633461-04)	(633461-05)	(633461-06)
1	Label Warning Cic 8/12	1	(627298)	(627298)	(627298)	(627298)	(627298)
2	Label Date Code	1	(627867)	(627867)	(627867)	(627867)	(627867)
3	Func Select Knob Assy, Gray	1	630946	630946	630946	630946	630946
-	Esp Func Select Knob, Gray	1	(630947)	(630947)	(630947)	(630947)	(630947)
-	Ring Compression	1	(650505-06)	(650505-06)	(650505-06)	(650505-06)	(650505-06)
4	Button, Tm Pb Switch	1	(631136)	(631136)	(631136)	(631136)	(631136)
5	Label, Serial	1	(631183)	(631183)	(631183)	(631183)	(631183)
6	Cover, Pwb	1	(631920)	(631920)	(631920)	(631920)	(631920)
7	Switch, Actuator- Paragon	1	(632510)	(632510)	(632510)	(632510)	(632510)
8	Lens, Lcd-Esp-C-Lx	1	632700	632700	632700	632700	632700
9	Fp/Shield Assy-Esp-C	1	(632906)	(632906)	(632906)	(632906)	(632906)
-	Front Panel Esp-Mc	1	(631918)	(631918)	(631918)	(631918)	(631918)
-	Shield, Front Panel-Esp-C	1	(632897)	(632897)	(632897)	(632897)	(632897)
10	Keypad, Silicone	1	(632908)	(632908)	(632908)	(632908)	(632908)
11	Overlay, Fr Panel	1	(633324-02)	(633324-03)	(633324-04)	(633324-05)	(633324-06)
12	Screw, 4-24 x 5/16 Hi-Lo W/Wshr	5	(650563-23)	(650563-23)	(650563-23)	(650563-23)	(650563-23)
13	Lock, Plunger	2	(650927-02)	(650927-02)	(650927-02)	(650927-02)	(650927-02)
14	Lock, Grommet	2	(650928-02)	(650928-02)	(650928-02)	(650928-02)	(650928-02)

Note: Part Numbers enclosed in brackets ( ) are not available individually, but may be sold in assemblies or kits.

IESP12SATLW/ IESP16SATLW/ IESP24SATLW/ IESP32SATLW/ IESP40SATLW  
 (LINK, METAL WALL MOUNT, INTERNATIONAL, 240 VOLT, 50 Hz)

PWB ASSY TERMINAL



Ref.	Description	Qty.	12	16	24	32	40
<b>PWB ASSY TERMINAL</b>							
LP45,47	Mov 56V,1000A	2	(633085-08)	(633085-09)	(633085-10)	(633085-11)	(633085-12)
LP46	Mov 56V,1000A	1	624624	624624	624624	624624	624624
-	Label, Bar Code 39	1	(631356-01)	(631356-01)	(631356-01)	(631356-01)	(631356-01)
-	Printed Wiring Board	1	(633086)	(633086)	(633086)	(633086)	(633086)
-	Solder	.001	(650160)	(650160)	(650160)	(650160)	(650160)
L1-8, L41,L42	Inductor, Ferrite Bead	10	650300-05	650300-05	650300-05	650300-05	650300-05
L9-12	Inductor, Ferrite Bead	4	650300-05	650300-05	650300-05	650300-05	650300-05
L13-16	Inductor, Ferrite Bead	4	-	650300-05	650300-05	650300-05	650300-05
L17-24	Inductor, Ferrite Bead	8	-	-	650300-05	650300-05	650300-05
L25-32	Inductor, Ferrite Bead	8	-	-	-	650300-05	650300-05

Note: Part Numbers enclosed in brackets ( ) are not available individually, but may be sold in assemblies or kits.

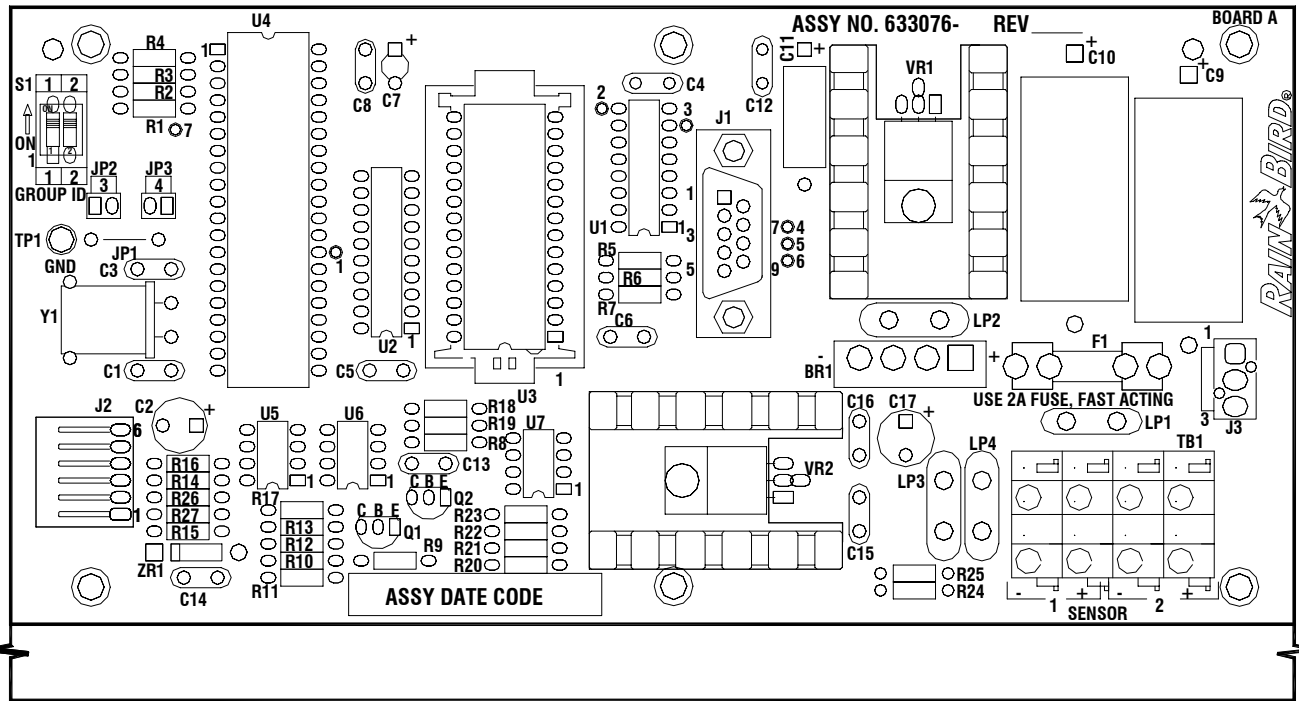
IESP12SATLW/ IESP16SATLW/ IESP24SATLW/ IESP32SATLW/ IESP40SATLW  
(LINK, METAL WALL MOUNT, INTERNATIONAL, 240 VOLT, 50 Hz)

Ref.	Description	Qty.	12	16	24	32	40
<b>PWB ASSY TERMINAL, CONT.</b>							
L33-40	Inductor, Ferrite Bead	8	-	-	-	-	650300-05
-	Mini Fuse Clips .197 Dia	2	(650308)	(650308)	(650308)	(650308)	(650308)
J3	Connector, DB15S 15Pins	1	(650610-06)	(650610-06)	(650610-06)	(650610-06)	(650610-06)
J4	Connector, DB15S 15Pins	1	-	(650610-06)	(650610-06)	(650610-06)	(650610-06)
J5	Connector, DB15S 15Pins	1	-	-	-	(650610-06)	(650610-06)
J6	Connector, DB15S 15Pins	1	-	-	-	-	(650610-06)
J3	Jack Socket Kit	1	(650620)	(650620)	(650620)	(650620)	(650620)
J4	Jack Socket Kit	1	-	(650620)	(650620)	(650620)	(650620)
J5	Jack Socket Kit	1	-	-	-	(650620)	(650620)
J6	Jack Socket Kit	1	-	-	-	-	(650620)
R1	Resistor, 2%, 2W, .1Ohm	1	(650766-01)	(650766-01)	(650766-01)	(650766-01)	(650766-01)
LP1-8	Mov 20MM 47V, 2000A	10	650796	650796	650796	650796	650796
LP41,42							
LP9-12	Mov 20MM 47V, 2000A	4	650796	650796	650796	650796	650796
LP13-16	Mov 20MM 47V, 2000A	4	-	650796	650796	650796	650796
LP17-24	Mov 20MM 47V, 2000A	8	-	-	650796	650796	650796
LP25-32	Mov 20MM 47V, 2000A	8	-	-	-	650796	650796
LP33-40	Mov 20MM 47V, 2000A	8	-	-	-	-	650796
J1	Header, Polzd., .100Ctrs. 50Pins.	1	(650872-50)	(650872-50)	(650872-50)	(650872-50)	(650872-50)
LP44	Mov 47V, 1000A	1	650875	650875	650875	650875	650875
C1-8	Capacitor Ceramic Axial .01uF, 100V	10	(650882-01)	(650882-01)	(650882-01)	(650882-01)	(650882-01)
C41,42							
C9-12	Capacitor Ceramic Axial .01uF, 100V	4	(650882-01)	(650882-01)	(650882-01)	(650882-01)	(650882-01)
C13-16	Capacitor Ceramic Axial .01uF, 100V	4	-	(650882-01)	(650882-01)	(650882-01)	(650882-01)
C17-24	Capacitor Ceramic Axial .01uF, 100V	8	-	-	(650882-01)	(650882-01)	(650882-01)
C25-32	Capacitor Ceramic Axial .01uF, 100V	8	-	-	-	(650882-01)	(650882-01)
C33-40	Capacitor Ceramic Axial .01uF, 100V	8	-	-	-	-	(650882-01)
-	Mini Fuse .197Dia 2.5 Amp	1	650966-14	650966-14	650966-14	650966-14	650966-14
TB1,2	Terminal Block .300spc 1Pos	16	(651000-01)	(651000-01)	(651000-01)	(651000-01)	(651000-01)
TB3	Terminal Block .300spc 1Pos	8	(651000-01)	(651000-01)	(651000-01)	(651000-01)	(651000-01)
TB4	Terminal Block .300spc 1Pos	8	-	-	(651000-01)	(651000-01)	(651000-01)
TB5	Terminal Block .300spc 1Pos	8	-	-	-	(651000-01)	(651000-01)
TB6	Terminal Block .300spc 1Pos	8	-	-	-	-	(651000-01)
Q1-8	Triac, 6Amps	10	651138	651138	651138	651138	651138
Q41,42							
Q9-12	Triac, 6Amps	4	651138	651138	651138	651138	651138
Q13-16	Triac, 6Amps	4	-	651138	651138	651138	651138
Q17-24	Triac, 6Amps	8	-	-	651138	651138	651138
Q25-32	Triac, 6Amps	8	-	-	-	651138	651138
Q33-40	Triac, 6Amps	8	-	-	-	-	651138
LP43	Mov 50V, 2500A	1	(651272)	(651272)	(651272)	(651272)	(651272)

Note: Part Numbers enclosed in brackets ( ) are not available individually, but may be sold in assemblies or kits.

IESP12SATLW/ IESP16SATLW/ IESP24SATLW/ IESP32SATLW/ IESP40SATLW  
 (LINK, METAL WALL MOUNT, INTERNATIONAL, 240 VOLT, 50 Hz)

PWB ASSY ESP-MC LINK



Ref.	Description	Qty.	12	16	24	32	40
<b>PWB ASSY ESP-MC LINK</b>							
S1	Dip Switch, Spst	1	(633076-01)	(633076-01)	(633076-01)	(633076-01)	(633076-01)
-	Label, bar Code 39	1	(631012-02)	(631012-02)	(631012-02)	(631012-02)	(631012-02)
-	Printed Wiring Board	1	(631356-01)	(631356-01)	(631356-01)	(631356-01)	(631356-01)
-		1	(633077)	(633077)	(633077)	(633077)	(633077)
U3	Prom Carrier Assy	1	(633077)	(633077)	(633077)	(633077)	(633077)
-	Label,Mat. Brady .375 x 1.00	1	633323-03	633323-03	633323-03	633323-03	633323-03
-	Carrier Ic 28 Pin	1	(632347-02)	(632347-02)	(632347-02)	(632347-02)	(632347-02)
-	Ic 27c256, Dip Eprom	1	(650517-02)	(650517-02)	(650517-02)	(650517-02)	(650517-02)
-		1	(650715)	(650715)	(650715)	(650715)	(650715)
C1,3	Capacitor,Ceramic Disc 30pF,50V	2	(650012-15)	(650012-15)	(650012-15)	(650012-15)	(650012-15)
C4-6,8	Capacitor,Ceramic Disc 0.1uF,50V	8	650013-45	650013-45	650013-45	650013-45	650013-45
C12,14	Capacitor,Ceramic Disc 0.1uF,50V	8	650013-45	650013-45	650013-45	650013-45	650013-45
C15,16	Capacitor,Ceramic Disc 0.1uF,50V	8	650013-45	650013-45	650013-45	650013-45	650013-45
C13	Capacitor, Ceramic Disc .01uF,50V	1	(650014-27)	(650014-27)	(650014-27)	(650014-27)	(650014-27)
LP1-4	Mov 33V,500A	4	650015	650015	650015	650015	650015

Note: Part Numbers enclosed in brackets ( ) are not available individually, but may be sold in assemblies or kits.

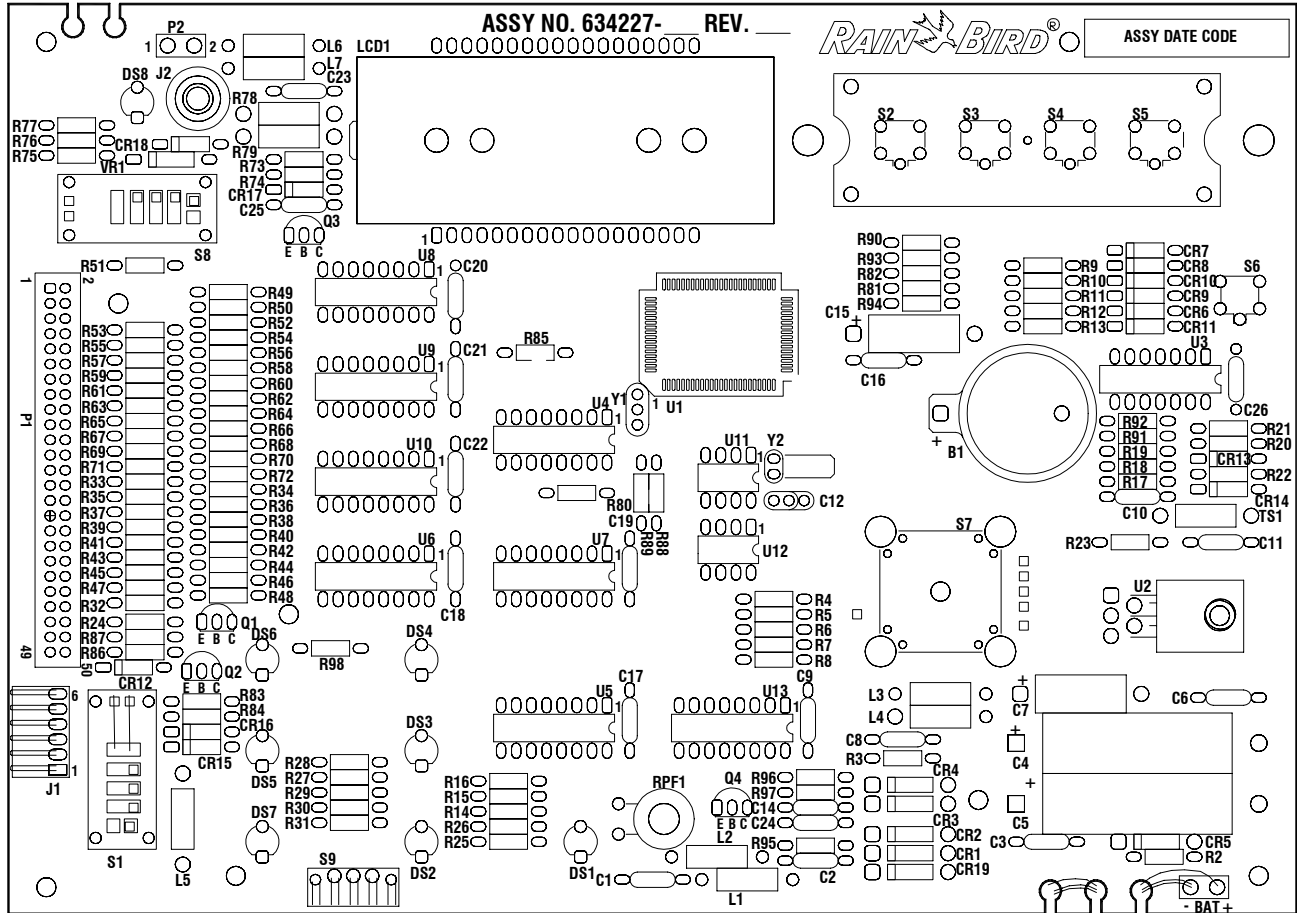
IESP12SATLW/ IESP16SATLW/ IESP24SATLW/ IESP32SATLW/ IESP40SATLW  
(LINK, METAL WALL MOUNT, INTERNATIONAL, 240 VOLT, 50 Hz)

Ref.	Description	Qty.	12	16	24	32	40
<b>PWB ASSY ESP-MC LINK, CONT.</b>							
ZR1	Diode Zener	1	(650038-70)	(650038-70)	(650038-70)	(650038-70)	(650038-70)
C11	Capacitor,Electrl,Axial 47uF,25V	1	(650045-08)	(650045-08)	(650045-08)	(650045-08)	(650045-08)
R14	Resistor,Carbon Film,1/4W 100Ohms	1	650079-49	650079-49	650079-49	650079-49	650079-49
R16,17	Resistor,Carbon Film,1/4W 270Ohms	2	(650079-59)	(650079-59)	(650079-59)	(650079-59)	(650079-59)
R20-23	Resistor,Carbon Film,1/4W 1K Ohm	4	(650079-73)	(650079-73)	(650079-73)	(650079-73)	(650079-73)
R15	Resistor,Carbon Film,1/4W 1.5KOhm	1	(650079-77)	(650079-77)	(650079-77)	(650079-77)	(650079-77)
R24-26	Resistor,Carbon Film,1/4W 2KOhms	3	(650079-80)	(650079-80)	(650079-80)	(650079-80)	(650079-80)
R5-9, R11,13 R18,19	Resistor,Carbon Film,1/4W 4.7Kohm	9	650079-89	650079-89	650079-89	650079-89	650079-89
R27 R1-4	Resistor,Carbon Film, 1/4W 10KOhm	1	650079-97	650079-97	650079-97	650079-97	650079-97
R10,12	Resistor,Carbon Film, 1/4W 47KOhm	6	(650080-14)	(650080-14)	(650080-14)	(650080-14)	(650080-14)
VR1,2	Grease	0.01	(650101)	(650101)	(650101)	(650101)	(650101)
VR1,2	Rivet,Blind,Dome-head .125Dia	2	(650139-05)	(650139-05)	(650139-05)	(650139-05)	(650139-05)
-	Solder	0.01	(650160)	(650160)	(650160)	(650160)	(650160)
F1	Fuse, Mini, .197Dia 2Amps	1	(650307-03)	(650307-03)	(650307-03)	(650307-03)	(650307-03)
F1	Mini Fuse, Clips,.197Dia	2	(650308)	(650308)	(650308)	(650308)	(650308)
VR2	Voltage Regulator +5V	1	650332	650332	650332	650332	650332
VR1,2	Heatsink	2	(650335)	(650335)	(650335)	(650335)	(650335)
TP1	Test Point, PC Mount	1	(650336-01)	(650336-01)	(650336-01)	(650336-01)	(650336-01)
Q1,2	Transistor, PNP	2	650369	650369	650369	650369	650369
U5-7	I.C.,Opto Coupler	3	650445	650445	650445	650445	650445
U3	Socket, Prom Carrier 28 Pins	1	650518-02	650518-02	650518-02	650518-02	650518-02
BR1	Bridge, Rectifier 4A,200V	1	650581-03	650581-03	650581-03	650581-03	650581-03
C7	Capacitor,Tantalum Radial 2.2uF25V	1	650583-03	650583-03	650583-03	650583-03	650583-03
C2,17	Capacitor,Tantalum Radial 22uF25V	2	650583-09	650583-09	650583-09	650583-09	650583-09
J1	Connector DB-9S	1	(650610-05)	(650610-05)	(650610-05)	(650610-05)	(650610-05)
U2	Ic,Octal D-Type Latch	1	650611	650611	650611	650611	650611
J1	Jack Socket Kit	1	(650620)	(650620)	(650620)	(650620)	(650620)
Y1	Wire 22Awg Auto-Inserted .450Lead	0.55	(650625-03)	(650625-03)	(650625-03)	(650625-03)	(650625-03)
Y1	Crystal, Quartz 11.059MHz	1	650721	650721	650721	650721	650721
U1	Hex Bus Driver	1	650776	650776	650776	650776	650776
J3	Header,.156Ctrs 3 Pins	1	(650893-03)	(650893-03)	(650893-03)	(650893-03)	(650893-03)
VR1	Voltage Regulator +8V	1	650939	650939	650939	650939	650939
C9,10	Capacitor,Electrl,Axial 3300uF,25V	2	(650954)	(650954)	(650954)	(650954)	(650954)
TB1	Terminal. Blk. .300Ctrs 1 Posicion	4	(651000-01)	(651000-01)	(651000-01)	(651000-01)	(651000-01)
J2	Header,Polzd.,Ra.0.098 Ctrs.	1	(651005-06)	(651005-06)	(651005-06)	(651005-06)	(651005-06)
U4	Ic,Microcomputer	1	651031	651031	651031	651031	651031

Note: Part Numbers enclosed in brackets ( ) are not available individually, but may be sold in assemblies or kits.

IESP12SATLW/ IESP16SATLW/ IESP24SATLW/ IESP32SATLW/ IESP40SATLW  
(LINK, METAL WALL MOUNT, INTERNATIONAL, 240 VOLT, 50 Hz)

PWB ASSY ESP-MC ESC-1 CONTROLLER



Ref.	Description	Qty.	12	16	24	32	40
<b>PWB ASSY ESP-MC ESC-1 CONTROLLER</b>			(634227-02)	(634227-03)	(634227-04)	(634227-05)	(634227-06)
S7	Switch Rotary	1	(630609)	(630609)	(630609)	(630609)	(630609)
S8	Switch, Slide	1	(630651)	(630651)	(630651)	(630651)	(630651)
-	Label, Bar Code 39	1	(631356-01)	(631356-01)	(631356-01)	(631356-01)	(631356-01)
LCD1	Spacer, LCD	1	(632046)	(632046)	(632046)	(632046)	(632046)
P2	Sensor Cable	1	(632048-01)	(632048-01)	(632048-01)	(632048-01)	(632048-01)
J2	Spring, Shield .70 Long	1	(632898-01)	(632898-01)	(632898-01)	(632898-01)	(632898-01)
LCD1	Liquid, Crystal Display	1	(633087)	(633087)	(633087)	(633087)	(633087)
U1	Microcomp., Toshiba, OTP	1	(633088)	(633088)	(633088)	(633088)	(633088)
P1	Ribbon Cable Assy 50Ckts	1	(633090)	(633090)	(633090)	(633090)	(633090)
-	Printed Wiring Board	1	(634228)	(634228)	(634228)	(634228)	(634228)
C12	Capacitor, ceramic radial 6pF, 50V	1	(650012-04)	(650012-04)	(650012-04)	(650012-04)	(650012-04)
U2	Washer, Flat, carbon Steel	1	(650023-03)	(650023-03)	(650023-03)	(650023-03)	(650023-03)

Note: Part Numbers enclosed in brackets ( ) are not available individually, but may be sold in assemblies or kits.

IESP12SATLW/ IESP16SATLW/ IESP24SATLW/ IESP32SATLW/ IESP40SATLW  
(LINK, METAL WALL MOUNT, INTERNATIONAL, 240 VOLT, 50 Hz)

Ref.	Description	Qty.	12	16	24	32	40
<b>PWB ASSY ESP-MC ESC-1 CONTROLLER, CONT.</b>							
CR6	Diode, Switching	1	650037-01	650037-01	650037-01	650037-01	650037-01
CR7	Diode, Switching	1	650037-01	-	650037-01	-	650037-01
CR8	Diode, Switching	1	-	650037-01	650037-01	-	-
CR9	Diode, Switching	1	-	-	-	650037-01	650037-01
CR11-18	Diode, Switching	8	650037-01	650037-01	650037-01	650037-01	650037-01
VR1	Diode, Zener, 500mW, 5.6V	1	(650038-71)	(650038-71)	(650038-71)	(650038-71)	(650038-71)
C7, 15	Capacitor, Electrolytic, Axial 47uF, 10V	2	(650044-03)	(650044-03)	(650044-03)	(650044-03)	(650044-03)
BAT	Battery Snap 9V	1	650075	650075	650075	650075	650075
CR1-5 C19	Diode, Gen Purpose, 1Amp	6	650077-02	650077-02	650077-02	650077-02	650077-02
R23, 85 R98	Resistor, Carbon Film, 1/4W, 10Ohms	2	(650079-25)	(650079-25)	(650079-25)	(650079-25)	(650079-25)
R49-56 R24, 32,	Resistor, Carbon Film 1/4W, 150Ohms	11	(650079-53)	(650079-53)	(650079-53)	(650079-53)	(650079-53)
R57-60	Resistor, Carbon Film 1/4W, 150Ohms	4	(650079-53)	(650079-53)	(650079-53)	(650079-53)	(650079-53)
R61-64	Resistor, Carbon Film 1/4W, 150Ohms	4	-	(650079-53)	(650079-53)	(650079-53)	(650079-53)
R65-72	Resistor, Carbon Film 1/4W, 150Ohms	8	-	-	(650079-53)	(650079-53)	(650079-53)
R33-40	Resistor, Carbon Film 1/4W, 150Ohms	8	-	-	-	(650079-53)	(650079-53)
R41-48	Resistor, Carbon Film 1/4W, 150Ohms	8	-	-	-	-	(650079-53)
R25-31	Resistor, Carbon Film 1/4W 470Ohms	7	(650079-65)	(650079-65)	(650079-65)	(650079-65)	(650079-65)
R17, 95	Resistor, Carbon Film, 1/4W, 1KOhm	2	(650079-73)	(650079-73)	(650079-73)	(650079-73)	(650079-73)
R76	Resistor, Carbon Film, 1/4W, 2KOhms	1	(650079-80)	(650079-80)	(650079-80)	(650079-80)	(650079-80)
R2	Resistor, Carbon Film, 1/4W 3.3KOhms	1	(650079-85)	(650079-85)	(650079-85)	(650079-85)	(650079-85)
R88-90 R84, 87 R20-22	Resistor, Carbon Film, 1/4W, 4.7KOhms	8	650079-89	650079-89	650079-89	650079-89	650079-89
R92	Resistor, Carbon Film, 1/4W, 8.2KOhms	1	(650079-95)	(650079-95)	(650079-95)	(650079-95)	(650079-95)
R19, 91	Resistor, Carbon Film, 1/4W, 10Kohms	2	(650079-97)	(650079-97)	(650079-97)	(650079-97)	(650079-97)
R83, 86 R18, 80	Resistor, Carbon Film, 1/4W, 47KOhms	4	(650080-14)	(650080-14)	(650080-14)	(650080-14)	(650080-14)
R94 R82, 93, R43, 81 R4-16	Resistor, Carbon Film, 1/4W 100Kohms	18	(650080-22)	(650080-22)	(650080-22)	(650080-22)	(650080-22)
R96, 97 R74, 75 R3	Resistor, Carbon Film, 1/4W, 220KOhms	5	(650080-30)	(650080-30)	(650080-30)	(650080-30)	(650080-30)
C20, 24 C16, 17 C10, 14 C3, 8, 9	Capacitor, Ceramic Axial .1uF, 50V	9	(650085-55)	(650085-55)	(650085-55)	(650085-55)	(650085-55)

Note: Part Numbers enclosed in brackets ( ) are not available individually, but may be sold in assemblies or kits.

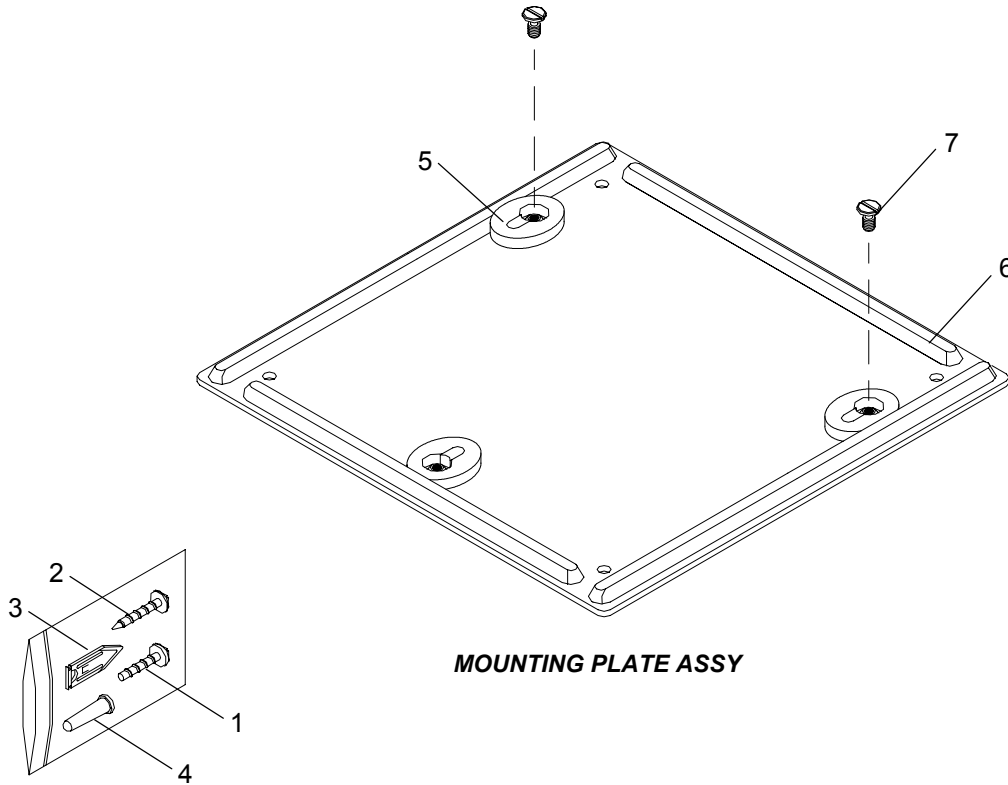
IESP12SATLW/ IESP16SATLW/ IESP24SATLW/ IESP32SATLW/ IESP40SATLW  
(LINK, METAL WALL MOUNT, INTERNATIONAL, 240 VOLT, 50 Hz)

Ref.	Description	Qty.	12	16	24	32	40
<b>PWB ASSY ESP-MC ESC-1 CONTROLLER, CONT.</b>							
C21	Capacitor, Ceramic Axial .1uF, 50V	1	(650085-55)	(650085-55)	(650085-55)	(650085-55)	(650085-55)
C22	Capacitor, Ceramic Axial .1uF, 50V	1	-	-	(650085-55)	(650085-55)	(650085-55)
C18	Capacitor, Ceramic Axial .1uF, 50V	1	-	-	-	(650085-55)	(650085-55)
C19	Capacitor, Ceramic Axial .1uF, 50V	1	-	-	-	-	(650085-55)
U2	Rivet, Blind Dome HD. .125Dia	1	(650139-05)	(650139-05)	(650139-05)	(650139-05)	(650139-05)
R78,79	Resistor, Carbon Film, 1/2W, 1KOhms	2	(650202-73)	(650202-73)	(650202-73)	(650202-73)	(650202-73)
L1-7	Inductor, Ferrite Bead	7	650300-05	650300-05	650300-05	650300-05	650300-05
U3	IC Quad OP Amp	1	650358	650358	650358	650358	650358
Q3,4	Transistor, NPN, 624mW	2	650367	650367	650367	650367	650367
Q1,2	Transistor, PNP	2	650369	650369	650369	650369	650369
Y2	Crystal, Quartz 32.768KHz	1	(650484)	(650484)	(650484)	(650484)	(650484)
TS1	Transient Suppressor 6.8V	1	(650595-01)	(650595-01)	(650595-01)	(650595-01)	(650595-01)
C5	Capacitor, Electrolytic, Axial 330uF, 25V	1	(650624)	(650624)	(650624)	(650624)	(650624)
U4	3-8 Line Decoder	1	650699	650699	650699	650699	650699
S2,3,4 S5,6	Switch, Pushbutton	5	(650748)	(650748)	(650748)	(650748)	(650748)
C23,25 C1,2,11	Capacitor, ceramic Axial .01uF, 100V	5	(650882-01)	(650882-01)	(650882-01)	(650882-01)	(650882-01)
C6	Capacitor, NPO, Axial 10pF, 100V	1	(650883-13)	(650883-13)	(650883-13)	(650883-13)	(650883-13)
C26	Capacitor, NPO, Axial 220pF, 100V	1	(650883-17)	(650883-17)	(650883-17)	(650883-17)	(650883-17)
U5,8	8Bit Addressable Latch	2	650889	650889	650889	650889	650889
U9	8Bit Addressable Latch	1	650889	650889	650889	650889	650889
U10	8Bit Addressable Latch	1	-	-	650889	650889	650889
U6	8Bit Addressable Latch	1	-	-	-	650889	650889
U7	8Bit Addressable Latch	1	-	-	-	-	650889
DS1-8	Led, red, .200Ctrs.	8	650910	650910	650910	650910	650910
U2	Regulator, Low Dropout	1	(650962)	(650962)	(650962)	(650962)	(650962)
J2	Eyelet, Spring	1	(650985)	(650985)	(650985)	(650985)	(650985)
J1	Header, Polzd. Radial, .100Ctrs 6Pins	1	(651005-06)	(651005-06)	(651005-06)	(651005-06)	(651005-06)
B1	Battery, Lithium	1	(651009)	(651009)	(651009)	(651009)	(651009)
B1	Holder, Battery Coin	1	(651010)	(651010)	(651010)	(651010)	(651010)
U11	IC, Real Time Clock	1	(651011)	(651011)	(651011)	(651011)	(651011)
U12	IC, EEPROM-4K Byte, Serial	1	(651012)	(651012)	(651012)	(651012)	(651012)
Y1	Resonator, ceramic 8.00MHz	1	(651013)	(651013)	(651013)	(651013)	(651013)
U13	IC, 8Bit Input Mux	1	(651014)	(651014)	(651014)	(651014)	(651014)
C4	Capacitor, Electrolytic, Axial 1000uF, 25V	1	(651054-12)	(651054-12)	(651054-12)	(651054-12)	(651054-12)
RPF1	Polyswitch, RXE, 60V, .65A	1	(651055-08)	(651055-08)	(651055-08)	(651055-08)	(651055-08)
S9	Switch Slide	1	(651292)	(651292)	(651292)	(651292)	(651292)

Note: Part Numbers enclosed in brackets ( ) are not available individually, but may be sold in assemblies or kits.



IESP12SATLW/ IESP16SATLW/ IESP24SATLW/ IESP32SATLW/ IESP40SATLW  
 (LINK, METAL WALL MOUNT, INTERNATIONAL, 240 VOLT, 50 Hz)



**MOUNTING PLATE ASSY**

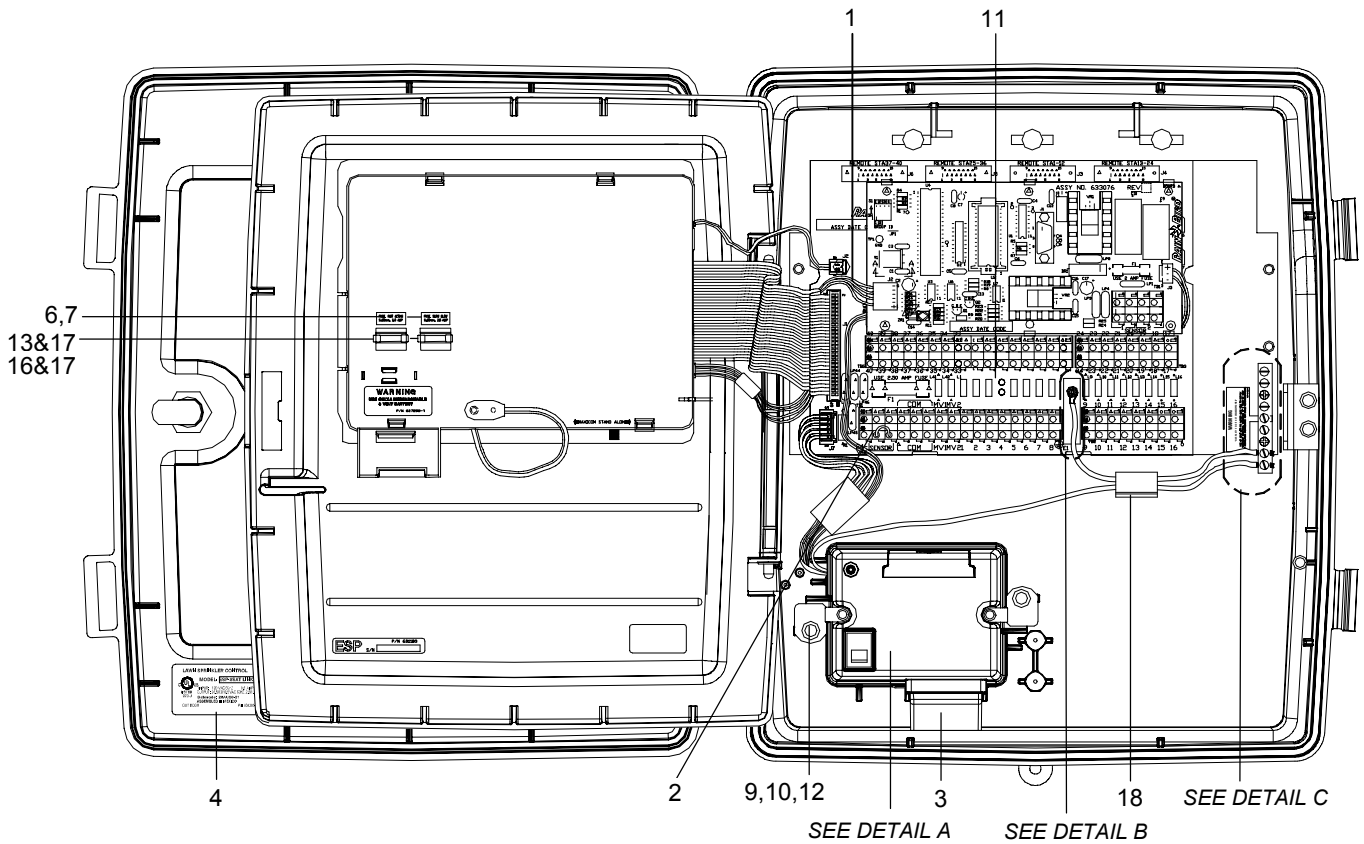
**SCREWS MOUNTING KIT**

Ref.	Description	Qty.	12	16	24	32	40
<b>ACCESSORIES</b>							
-	Screws, Mounting, Kit	1	(633182)	(633182)	(633182)	(633182)	(633182)
1	Screw, Pan Hd, #10 x 1/4"	2	(650754-55)	(650754-55)	(650754-55)	(650754-55)	(650754-55)
-	Bag, Zip Lock, Plastic, 3X4	1	(650924-03)	(650924-03)	(650924-03)	(650924-03)	(650924-03)
2	Screw, Trhd Phil, Type A, 1 1/4	4	(651021-16)	(651021-16)	(651021-16)	(651021-16)	(651021-16)
3	Anchor, Wall, Hammer Drive	4	(651022)	(651022)	(651022)	(651022)	(651022)
4	Plastic Anchor 10-12 x1"	4	(651393-03)	(651393-03)	(651393-03)	(651393-03)	(651393-03)
-	Instructions, Instl & Oper	1	633686	633686	633686	633686	633686
-	Giude, Operations Addendum	1	(633942)	(633942)	(633942)	(633942)	(633942)
-	Poster, Installation Instructions	1	634529	634529	634529	634529	634529
-	Mounting Plate Assy, WM Cabinet	1	(635005-02)	(635005-02)	(635005-02)	(635005-02)	(635005-02)
5	Washer, Epdm, Flat	3	(633274)	(633274)	(633274)	(633274)	(633274)
-	Mount Bracket Assy	1	(634594-02)	(634594-02)	(634594-02)	(634594-02)	(634594-02)
6	Mount Bracket	1	(634484)	(634484)	(634484)	(634484)	(634484)
7	Stand-Off Screw S.S.	2	(634538-02)	(634538-02)	(634538-02)	(634538-02)	(634538-02)
-	Cable Tie, Nylon 7/8 Bundle	1	650131	650131	650131	650131	650131
-	Bag, Zip Lock, Plastic, 2.5x3	1	(650924-01)	(650924-01)	(650924-01)	(650924-01)	(650924-01)
-	Battery, Nicad 7.2V	1	650929	650929	650929	650929	650929

Note: Part Numbers enclosed in brackets ( ) are not available individually, but may be sold in assemblies or kits.

IESP12SATLP/ IESP16SATLP/ IESP24SATLP/ IESP32SATLP/ IESP40SATLP  
 (LINK, PLASTIC WALL MOUNT, INTERNATIONAL, 240 VOLT, 50 Hz)

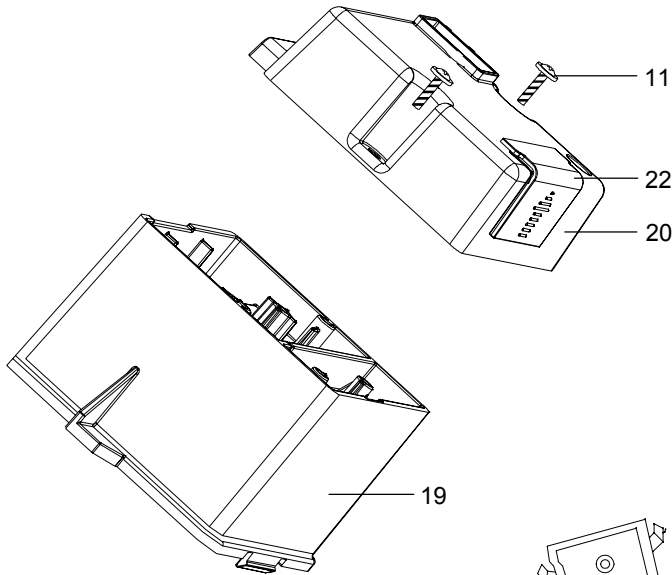
CONTROLLER ASSEMBLY



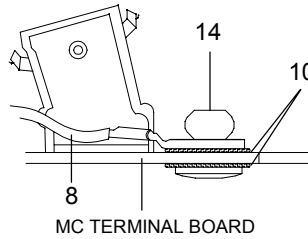
Ref.	Description	Qty.	12	16	24	32	40
<b>CONTROLLER ASSEMBLY</b>			(635061-08)	(635061-09)	(635061-10)	(635061-11)	(635061-12)
1	Cable Assy, 2Wire/Link Intfc-Mc	1	(633132)	(633132)	(633132)	(633132)	(633132)
2	Sensor Jumper Wire	1	(633442)	(633442)	(633442)	(633442)	(633442)
-	Label, Caution	1	(633657)	(633657)	(633657)	(633657)	(633657)
3	Cover, Ac Mains	1	(633821)	(633821)	(633821)	(633821)	(633821)
-	Hinge, Piano Wire	1	(633826)	(633826)	(633826)	(633826)	(633826)
4	Label, Rating	1	(634385-24)	(634385-24)	(634385-24)	(634385-24)	(634385-24)
5	Label Warning Grounding	1	(634502)	(634502)	(634502)	(634502)	(634502)
-	Label, Warning Corrosion Inhib	1	(634558)	(634558)	(634558)	(634558)	(634558)
6	Label, Fuse 2.5Amp	1	(634615)	(634615)	(634615)	(634615)	(634615)
7	Label, Fuse 2.0 Amp.	1	(634616)	(634616)	(634616)	(634616)	(634616)
8	Ground Wire Assy 12 Awg (11)	1	(634943-11)	(634943-11)	(634943-11)	(634943-11)	(634943-11)
9	Bracket, Xfmr Enclosure	2	(635112)	(635112)	(635112)	(635112)	(635112)
110	Wshr Lk, #10, Ext-Tooth,Z-Pltd	4	(650162-04)	(650162-04)	(650162-04)	(650162-04)	(650162-04)
11	Screw Phi Pnh Hi-Lo 7-19x1/2	3	(650183-63)	(650183-63)	(650183-63)	(650183-63)	(650183-63)
12	Screw, Pnh, Hi-Lo, Cs	2	(650249-16)	(650249-16)	(650249-16)	(650249-16)	(650249-16)
13	Fuse 5x20MM Amps	1	(650307-03)	(650307-03)	(650307-03)	(650307-03)	(650307-03)
14	Rivet, Blind 0.19	1	(650434-13)	(650434-13)	(650434-13)	(650434-13)	(650434-13)
15	Screw, 6-19 x 7/16 Hi-Lo W/Wshr	2	(650563-47)	(650563-47)	(650563-47)	(650563-47)	(650563-47)

Note: Part Numbers enclosed in brackets ( ) are not available individually, but may be sold in assemblies or kits.

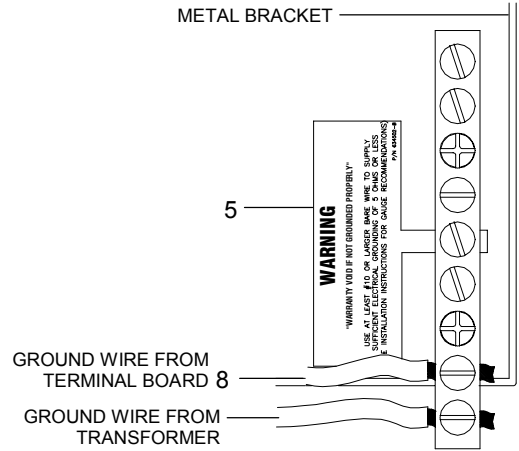
IESP12SATLP/ IESP16SATLP/ IESP24SATLP/ IESP32SATLP/ IESP40SATLP  
 (LINK, PLASTIC WALL MOUNT, INTERNATIONAL, 240 VOLT, 50 Hz)



**DETAIL A**  
XFMR ENCLOSURE ASSY



**DETAIL B**  
VIEWED FROM RIGHT SIDE  
OF THE CONTROLLER



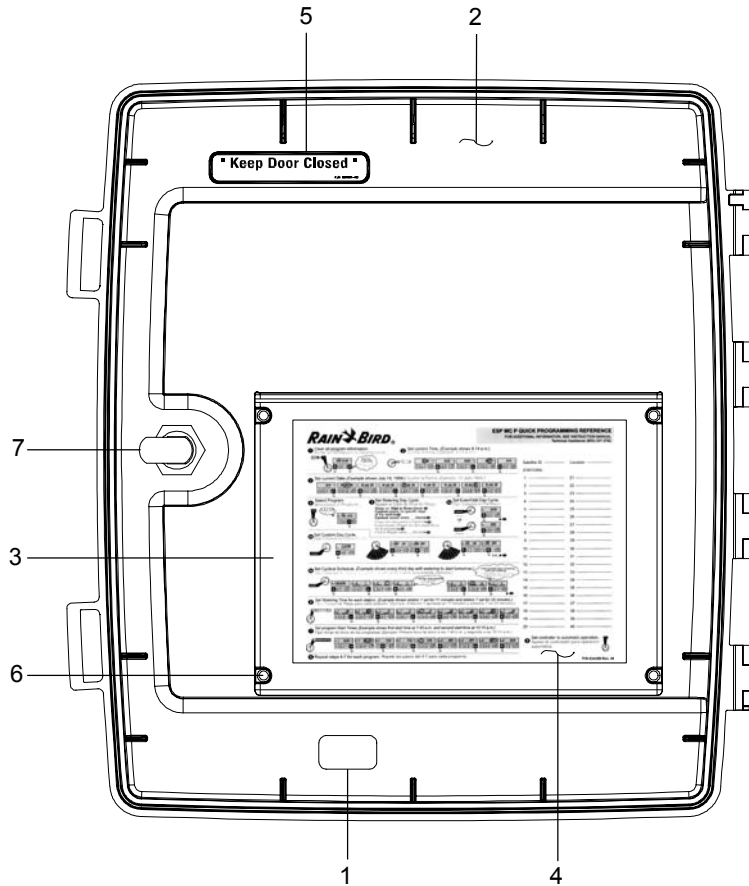
**DETAIL C**  
VIEWED FROM TOP SIDE  
OF THE CONTROLLER

Ref.	Description	Qty.	12	16	24	32	40
<b>CONTROLLER ASSEMBLY, CONT.</b>							
-	Spacer, Circuit Board, Edge Hold	6	(650912-10)	(650912-10)	(650912-10)	(650912-10)	(650912-10)
16	Fuse, 5x20MM, Slow Blow 2 ½ Amp	1	650966-14	650966-14	650966-14	650966-14	650966-14
-	Impregnated Foam Corrosion Inh	1	(651331)	(651331)	(651331)	(651331)	(651331)
17	Holder Fuse	2	(651384)	(651384)	(651384)	(651384)	(651384)
18	Wire Clip With Adhesive	1	(651446-02)	(651446-02)	(651446-02)	(651446-02)	(651446-02)
<b>XFMR ENCLOSURE ASSY</b>			634383-02	634383-02	634383-02	634383-02	634383-02
19	Enclosure, Transformer Top Im	1	(633777)	(633777)	(633777)	(633777)	(633777)
20	Cover, High Voltage Board	1	(633778)	(633778)	(633778)	(633778)	(633778)
21	Cover, Fuse Pcb, Im	1	(633779)	(633779)	(633779)	(633779)	(633779)
-	Enclosure, Transformer Bottom	1	(633822)	(633822)	(633822)	(633822)	(633822)
-	Xfmr Power 120.230 Vac	1	(634238)	(634238)	(634238)	(634238)	(634238)
-	Screw 6-20 625L Sif Tpg	2	(650104-24)	(650104-24)	(650104-24)	(650104-24)	(650104-24)
-	Closed End, Splice	1	(650828)	(650828)	(650828)	(650828)	(650828)
-	Terminal Block	1	(651382)	(651382)	(651382)	(651382)	(651382)
<b>ACCESORIES</b>							
-	Instructions, Instl&oper-Espsat	1	633686	633686	633686	633686	633686
-	Guide, Operations Adden	1	(633942)	(633942)	(633942)	(633942)	(633942)
-	Poster, Intallation Inst.Mc-P	1	(634728)	(634728)	(634728)	(634728)	(634728)

Note: Part Numbers enclosed in brackets ( ) are not available individually, but may be sold in assemblies or kits.

IESP12SATLP/ IESP16SATLP/ IESP24SATLP/ IESP32SATLP/ IESP40SATLP  
 (LINK, PLASTIC WALL MOUNT, INTERNATIONAL, 240 VOLT, 50 Hz)

DOOR ASSEMBLY

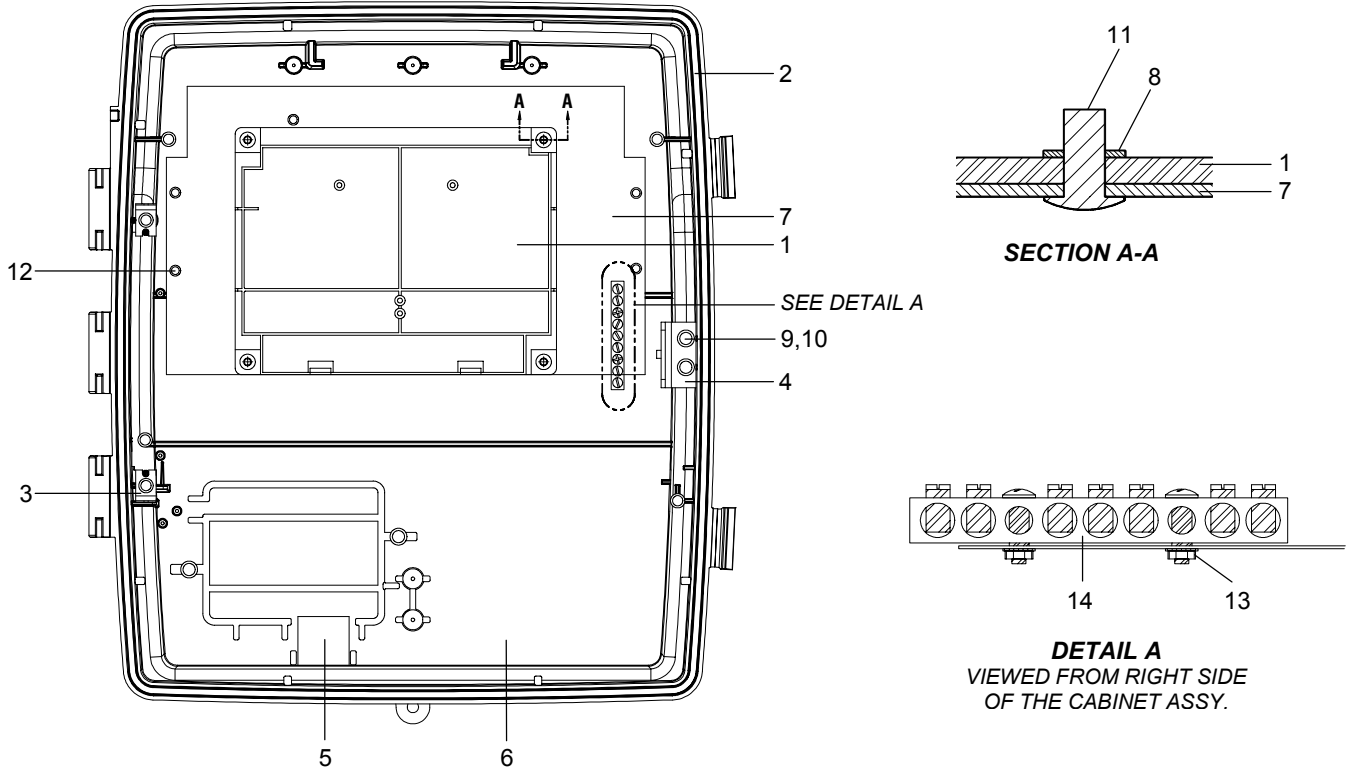


Ref.	Description	Qty.	12	16	24	32	40
<b>DOOR ASSEMBLY</b>			(634384)	(634384)	(634384)	(634384)	(634384)
1	Label Fcc Compliance	1	(629941)	(629941)	(629941)	(629941)	(629941)
2	Enclosure Cabinet Top	1	(633781-01)	(633781-01)	(633781-01)	(633781-01)	(633781-01)
3	Pocket, Cabinet Top	1	(633783-01)	(633783-01)	(633783-01)	(633783-01)	(633783-01)
4	Quick Prog. Guide	1	634389	634389	634389	634389	634389
5	Label, Keep Door Closed	1	(634501)	(634501)	(634501)	(634501)	(634501)
6	Screw, 6-19 x 7/16 Hi-lo W/Wshr	4	(650563-47)	(650563-47)	(650563-47)	(650563-47)	(650563-47)
7	Lock, Cam	1	650755	650755	650755	650755	650755

Note: Part Numbers enclosed in brackets ( ) are not available individually, but may be sold in assemblies or kits.

IESP12SATLP/ IESP16SATLP/ IESP24SATLP/ IESP32SATLP/ IESP40SATLP  
 (LINK, PLASTIC WALL MOUNT, INTERNATIONAL, 240 VOLT, 50 Hz)

CABINET ASSEMBLY

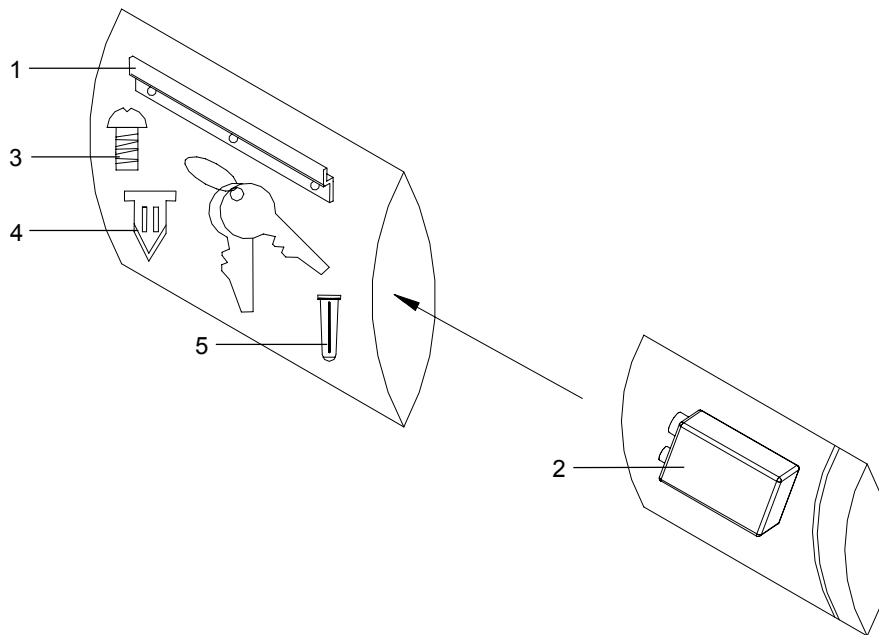


Ref.	Description	Qty.	12	16	24	32	40
<b>CABINET ASSEMBLY</b>			(634381)	(634381)	(634381)	(634381)	(634381)
1	Spacer, Terminal Board	1	(631919)	(631919)	(631919)	(631919)	(631919)
2	Gasket, Foam	1	(633402)	(633402)	(633402)	(633402)	(633402)
3	Hinge, Stamping	2	(633403)	(633403)	(633403)	(633403)	(633403)
4	Hasp Door Lock	1	(633405)	(633405)	(633405)	(633405)	(633405)
-	Bracket, Wall Mount	1	(633406)	(633406)	(633406)	(633406)	(633406)
5	Wiring Insulator Compartment	1	(633407)	(633407)	(633407)	(633407)	(633407)
6	Enclosure, Cabinet Bottom	1	(633780-01)	(633780-01)	(633780-01)	(633780-01)	(633780-01)
7	Bracket	1	(634291)	(634291)	(634291)	(634291)	(634291)
8	Washer, Flat #10 .032	4	(650023-13)	(650023-13)	(650023-13)	(650023-13)	(650023-13)
9	Washer Lk, #8, Ext-tooth, Z-Pltd	4	(650162-03)	(650162-03)	(650162-03)	(650162-03)	(650162-03)
10	Screw Phl Pnh Hi-Lo 4-24x1/4	4	(650183-78)	(650183-78)	(650183-78)	(650183-78)	(650183-78)
-	Screw, Pnh, Hi-Lo. Cs	3	(650249-71)	(650249-71)	(650249-71)	(650249-71)	(650249-71)
11	Rivet, Blind 0.19	4	(650434-13)	(650434-13)	(650434-13)	(650434-13)	(650434-13)
12	Screw, 5-20 x 3/8 Hi-Lo W/Wshr	5	(650563-36)	(650563-36)	(650563-36)	(650563-36)	(650563-36)
13	Nut, #8-32 Hex W/Star Washer	2	(650634-04)	(650634-04)	(650634-04)	(650634-04)	(650634-04)
14	Bar Bus Grounding	2	(651440)	(651440)	(651440)	(651440)	(651440)

Note: Part Numbers enclosed in brackets ( ) are not available individually, but may be sold in assemblies or kits.

IESP12SATLP/ IESP16SATLP/ IESP24SATLP/ IESP32SATLP/ IESP40SATLP  
 (LINK, PLASTIC WALL MOUNT, INTERNATIONAL, 240 VOLT, 50 Hz)

**COLLATERAL PACKAGE**

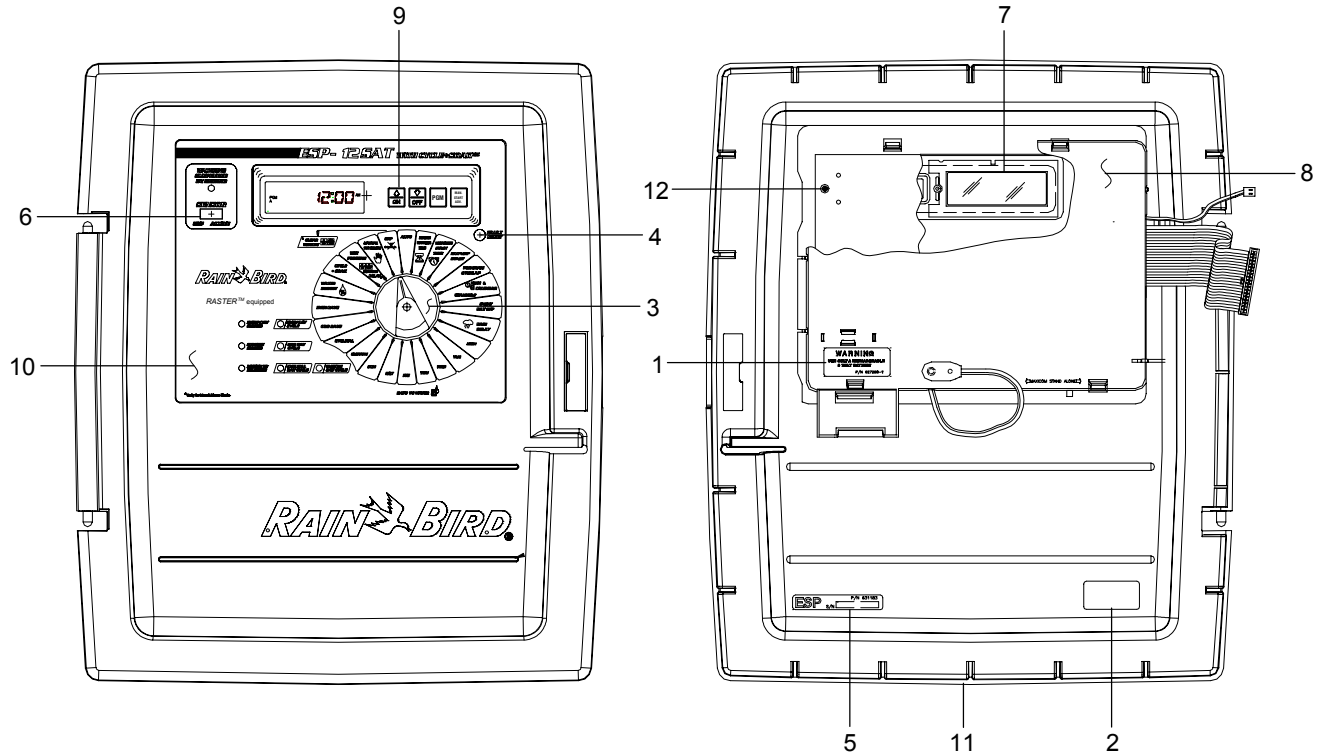


Ref.	Description	Qty.	12	16	24	32	40
<b>COLLATERAL PACKAGE</b>			(634379-01)	(634379-01)	(634379-01)	(634379-01)	(634379-01)
-	Bag, Poly 8 x 10	1	(628282-17)	(628282-17)	(628282-17)	(628282-17)	(628282-17)
1	Bracket, Wall Mount	1	(633406)	(633406)	(633406)	(633406)	(633406)
-	Bag, Zip Lock, Plasts, 2.5x3	1	(650924-01)	(650924-01)	(650924-01)	(650924-01)	(650924-01)
2	Battery, Nicad 7.2V	1	650929	650929	650929	650929	650929
3	Screw, Trhd Phil, Type A1 1/4	4	(651021-16)	(651021-16)	(651021-16)	(651021-16)	(651021-16)
4	Anchor, Wall, Hammer Drive	4	(651022)	(651022)	(651022)	(651022)	(651022)
5	Plastic Anchor 10-12 x 1"	4	(651393-03)	(651393-03)	(651393-03)	(651393-03)	(651393-03)

Note: Part Numbers enclosed in brackets ( ) are not available individually, but may be sold in assemblies or kits.

IESP12SATLP/ IESP16SATLP/ IESP24SATLP/ IESP32SATLP/ IESP40SATLP  
 (LINK, PLASTIC WALL MOUNT, INTERNATIONAL, 240 VOLT, 50 Hz)

**FRONT PANEL ASSEMBLY**

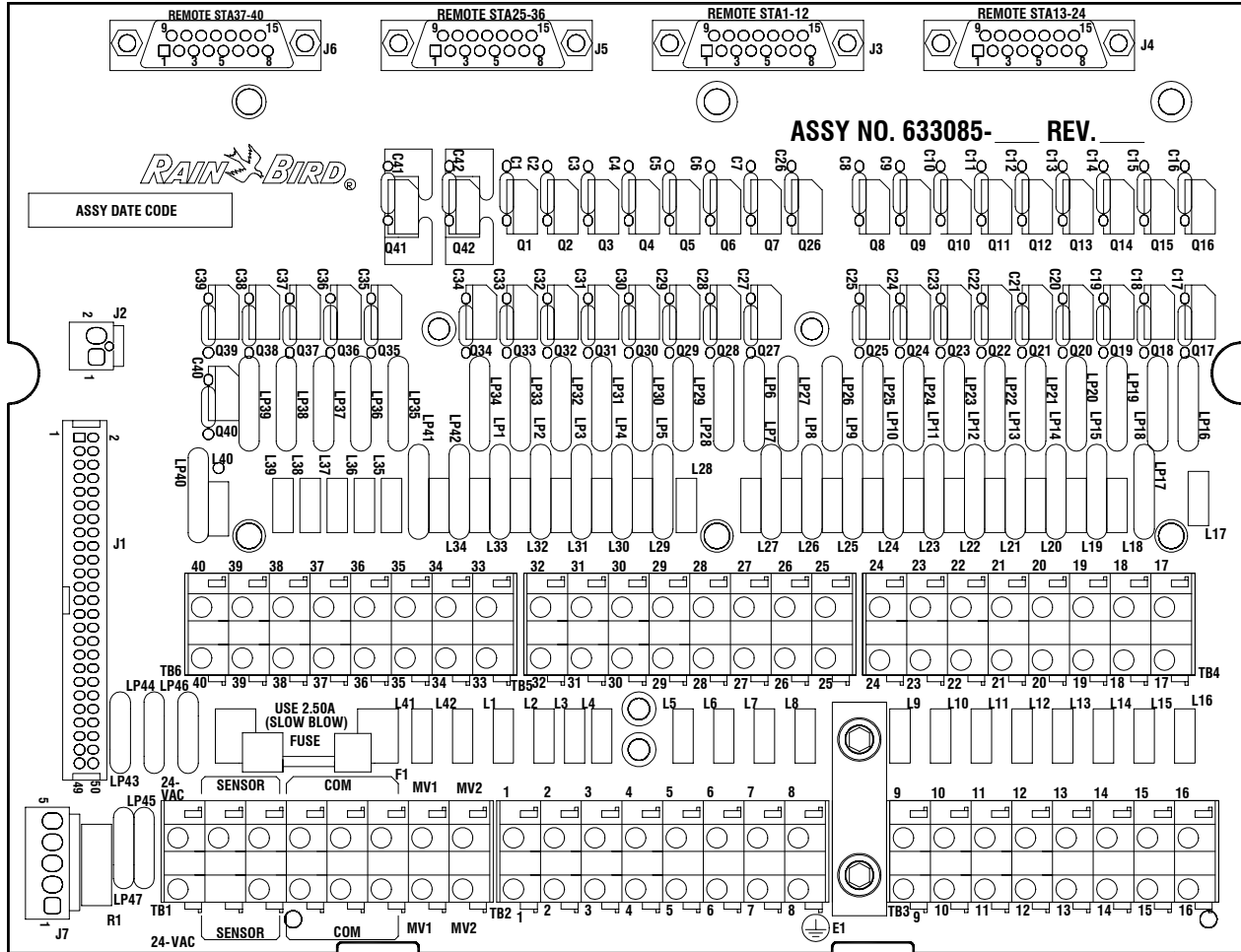


Ref.	Description	Qty.	12	16	24	32	40
<b>FRONT PANEL ASSEMBLY</b>			(635060-02)	(635060-03)	(635060-04)	(635060-05)	(635060-06)
1	Label Warning Cic 8/12	1	(627298)	(627298)	(627298)	(627298)	(627298)
2	Label Date Code	1	(627867)	(627867)	(627867)	(627867)	(627867)
3	Func Select Knob Assy, Gray	1	630946	630946	630946	630946	630946
-	Esp Func Select Knob, Gray	1	(630947)	(630947)	(630947)	(630947)	(630947)
-	Ring Compression	1	(650505-06)	(650505-06)	(650505-06)	(650505-06)	(650505-06)
4	Button, Tm Pb Switch	1	(631136)	(631136)	(631136)	(631136)	(631136)
5	Label, Serial, Esp	1	(631183)	(631183)	(631183)	(631183)	(631183)
6	Switch, Actuator-Paragon	1	(632510)	(632510)	(632510)	(632510)	(632510)
7	Lens, Lcd-Esp-C/Lx	1	632700	632700	632700	632700	632700
8	Assy, Cover, Foil	1	(632905)	(632905)	(632905)	(632905)	(632905)
-	Cover, Pwb	1	(631920)	(631920)	(631920)	(631920)	(631920)
-	Shield, Foil Esp-Mc-P	1	(632904)	(632904)	(632904)	(632904)	(632904)
9	Keypad, Silicone	1	(632908)	(632908)	(632908)	(632908)	(632908)
10	Overlay, Front Panel	1	(633324-02)	(633324-03)	(633324-04)	(633324-05)	(633324-06)
11	Assy, Fp/Shield Esp-Mc-P	1	(634392)	(634392)	(634392)	(634392)	(634392)
-	Shield, Front Panel	1	(632897)	(632897)	(632897)	(632897)	(632897)
-	Esp-Mc-P Front Panel	1	(634209)	(634209)	(634209)	(634209)	(634209)
12	Screw, 4-24 x 5/16 Hi-Lo W/Wshr	5	(650563-23)	(650563-23)	(650563-23)	(650563-23)	(650563-23)

Note: Part Numbers enclosed in brackets ( ) are not available individually, but may be sold in assemblies or kits.

IESP12SATLP/ IESP16SATLP/ IESP24SATLP/ IESP32SATLP/ IESP40SATLP  
 (LINK, PLASTIC WALL MOUNT, INTERNATIONAL, 240 VOLT, 50 Hz)

PWB ASSY TERMINAL



Ref.	Description	Qty.	12	16	24	32	40
<b>PWB ASSY TERMINAL</b>							
LP45,47	Mov 56V,1000A	2	(633085-08)	(633085-09)	(633085-10)	(633085-11)	(633085-12)
LP46	Mov 56V,1000A	1	624624	624624	624624	624624	624624
-	Label, Bar Code 39	1	(631356-01)	(631356-01)	(631356-01)	(631356-01)	(631356-01)
-	Printed Wiring Board	1	(633086)	(633086)	(633086)	(633086)	(633086)
-	Solder	.001	(650160)	(650160)	(650160)	(650160)	(650160)
L1-8, L41,L42	Inductor, Ferrite Bead	10	650300-05	650300-05	650300-05	650300-05	650300-05
L9-12	Inductor, Ferrite Bead	4	650300-05	650300-05	650300-05	650300-05	650300-05
L13-16	Inductor, Ferrite Bead	4	-	650300-05	650300-05	650300-05	650300-05
L17-24	Inductor, Ferrite Bead	8	-	-	650300-05	650300-05	650300-05
L25-32	Inductor, Ferrite Bead	8	-	-	-	650300-05	650300-05

Note: Part Numbers enclosed in brackets ( ) are not available individually, but may be sold in assemblies or kits.



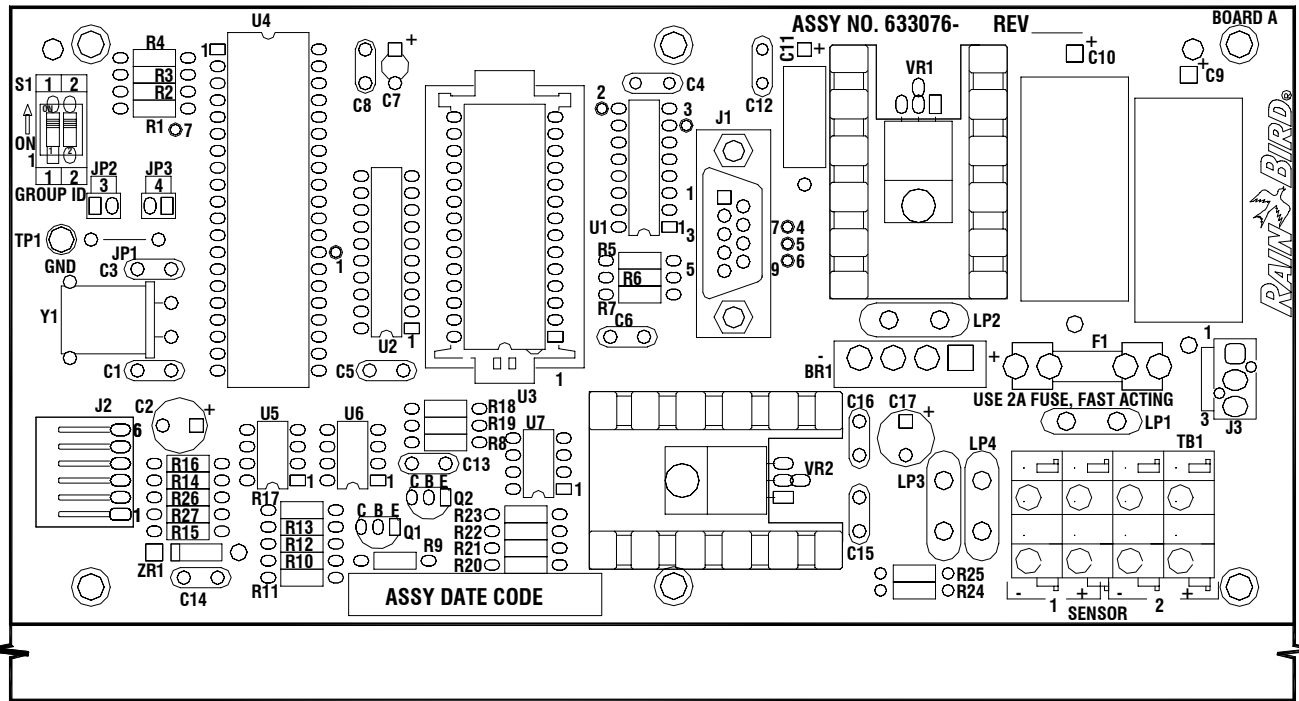
IESP12SATLP/ IESP16SATLP/ IESP24SATLP/ IESP32SATLP/ IESP40SATLP  
(LINK, PLASTIC WALL MOUNT, INTERNATIONAL, 240 VOLT, 50 Hz)

Ref.	Description	Qty.	12	16	24	32	40
<b>PWB ASSY TERMINAL, CONT.</b>							
L33-40	Inductor, Ferrite Bead	8	-	-	-	-	650300-05
-	Mini Fuse Clips .197 Dia	2	(650308)	(650308)	(650308)	(650308)	(650308)
J3	Connector, DB15S 15Pins	1	(650610-06)	(650610-06)	(650610-06)	(650610-06)	(650610-06)
J4	Connector, DB15S 15Pins	1	-	(650610-06)	(650610-06)	(650610-06)	(650610-06)
J5	Connector, DB15S 15Pins	1	-	-	-	(650610-06)	(650610-06)
J6	Connector, DB15S 15Pins	1	-	-	-	-	(650610-06)
J3	Jack Socket Kit	1	(650620)	(650620)	(650620)	(650620)	(650620)
J4	Jack Socket Kit	1	-	(650620)	(650620)	(650620)	(650620)
J5	Jack Socket Kit	1	-	-	-	(650620)	(650620)
J6	Jack Socket Kit	1	-	-	-	-	(650620)
R1	Resistor, 2%, 2W, .1Ohm	1	(650766-01)	(650766-01)	(650766-01)	(650766-01)	(650766-01)
LP1-8	Mov 20MM 47V, 2000A	10	650796	650796	650796	650796	650796
LP41,42							
LP9-12	Mov 20MM 47V, 2000A	4	650796	650796	650796	650796	650796
LP13-16	Mov 20MM 47V, 2000A	4	-	650796	650796	650796	650796
LP17-24	Mov 20MM 47V, 2000A	8	-	-	650796	650796	650796
LP25-32	Mov 20MM 47V, 2000A	8	-	-	-	650796	650796
LP33-40	Mov 20MM 47V, 2000A	8	-	-	-	-	650796
J1	Header, Polzd., .100Ctrs. 50Pins.	1	(650872-50)	(650872-50)	(650872-50)	(650872-50)	(650872-50)
LP44	Mov 47V, 1000A	1	650875	650875	650875	650875	650875
C1-8	Capacitor Ceramic Axial .01uF, 100V	10	(650882-01)	(650882-01)	(650882-01)	(650882-01)	(650882-01)
C41,42							
C9-12	Capacitor Ceramic Axial .01uF, 100V	4	(650882-01)	(650882-01)	(650882-01)	(650882-01)	(650882-01)
C13-16	Capacitor Ceramic Axial .01uF, 100V	4	-	(650882-01)	(650882-01)	(650882-01)	(650882-01)
C17-24	Capacitor Ceramic Axial .01uF, 100V	8	-	-	(650882-01)	(650882-01)	(650882-01)
C25-32	Capacitor Ceramic Axial .01uF, 100V	8	-	-	-	(650882-01)	(650882-01)
C33-40	Capacitor Ceramic Axial .01uF, 100V	8	-	-	-	-	(650882-01)
-	Mini Fuse .197Dia 2.5 Amp	1	650966-14	650966-14	650966-14	650966-14	650966-14
TB1,2	Terminal Block .300spc 1Pos	16	(651000-01)	(651000-01)	(651000-01)	(651000-01)	(651000-01)
TB3	Terminal Block .300spc 1Pos	8	(651000-01)	(651000-01)	(651000-01)	(651000-01)	(651000-01)
TB4	Terminal Block .300spc 1Pos	8	-	-	(651000-01)	(651000-01)	(651000-01)
TB5	Terminal Block .300spc 1Pos	8	-	-	-	(651000-01)	(651000-01)
TB6	Terminal Block .300spc 1Pos	8	-	-	-	-	(651000-01)
Q1-8	Triac, 6Amps	10	651138	651138	651138	651138	651138
Q41,42							
Q9-12	Triac, 6Amps	4	651138	651138	651138	651138	651138
Q13-16	Triac, 6Amps	4	-	651138	651138	651138	651138
Q17-24	Triac, 6Amps	8	-	-	651138	651138	651138
Q25-32	Triac, 6Amps	8	-	-	-	651138	651138
Q33-40	Triac, 6Amps	8	-	-	-	-	651138
LP43	Mov 50V, 2500A	1	(651272)	(651272)	(651272)	(651272)	(651272)

Note: Part Numbers enclosed in brackets ( ) are not available individually, but may be sold in assemblies or kits.

IESP12SATLP/ IESP16SATLP/ IESP24SATLP/ IESP32SATLP/ IESP40SATLP  
(LINK, PLASTIC WALL MOUNT, INTERNATIONAL, 240 VOLT, 50 Hz)

PWB ASSY ESP-MC LINK



Ref.	Description	Qty.	12	16	24	32	40
<b>PWB ASSY ESP-MC LINK</b>			(633076-01)	(633076-01)	(633076-01)	(633076-01)	(633076-01)
S1	Dip Switch, Spst	1	(631012-02)	(631012-02)	(631012-02)	(631012-02)	(631012-02)
-	Label, bar Code 39	1	(631356-01)	(631356-01)	(631356-01)	(631356-01)	(631356-01)
-	Printed Wiring Board	1	(633077)	(633077)	(633077)	(633077)	(633077)
U3	Prom Carrier Assy	1	633323-03	633323-03	633323-03	633323-03	633323-03
-	Label,Mat. Brady .375 x 1.00	1	(632347-02)	(632347-02)	(632347-02)	(632347-02)	(632347-02)
-	Carrier Ic 28 Pin	1	(650517-02)	(650517-02)	(650517-02)	(650517-02)	(650517-02)
-	Ic 27c256, Dip Eprom	1	(650715)	(650715)	(650715)	(650715)	(650715)
C1,3	Capacitor,Ceramic Disc 30pF,50V	2	(650012-15)	(650012-15)	(650012-15)	(650012-15)	(650012-15)
C4-6,8 C12,14 C15,16	Capacitor,Ceramic Disc 0.1uF,50V	8	650013-45	650013-45	650013-45	650013-45	650013-45
C13	Capacitor, Ceramic Disc .01uF,50V	1	(650014-27)	(650014-27)	(650014-27)	(650014-27)	(650014-27)
LP1-4	Mov 33V,500A	4	650015	650015	650015	650015	650015

Note: Part Numbers enclosed in brackets ( ) are not available individually, but may be sold in assemblies or kits.

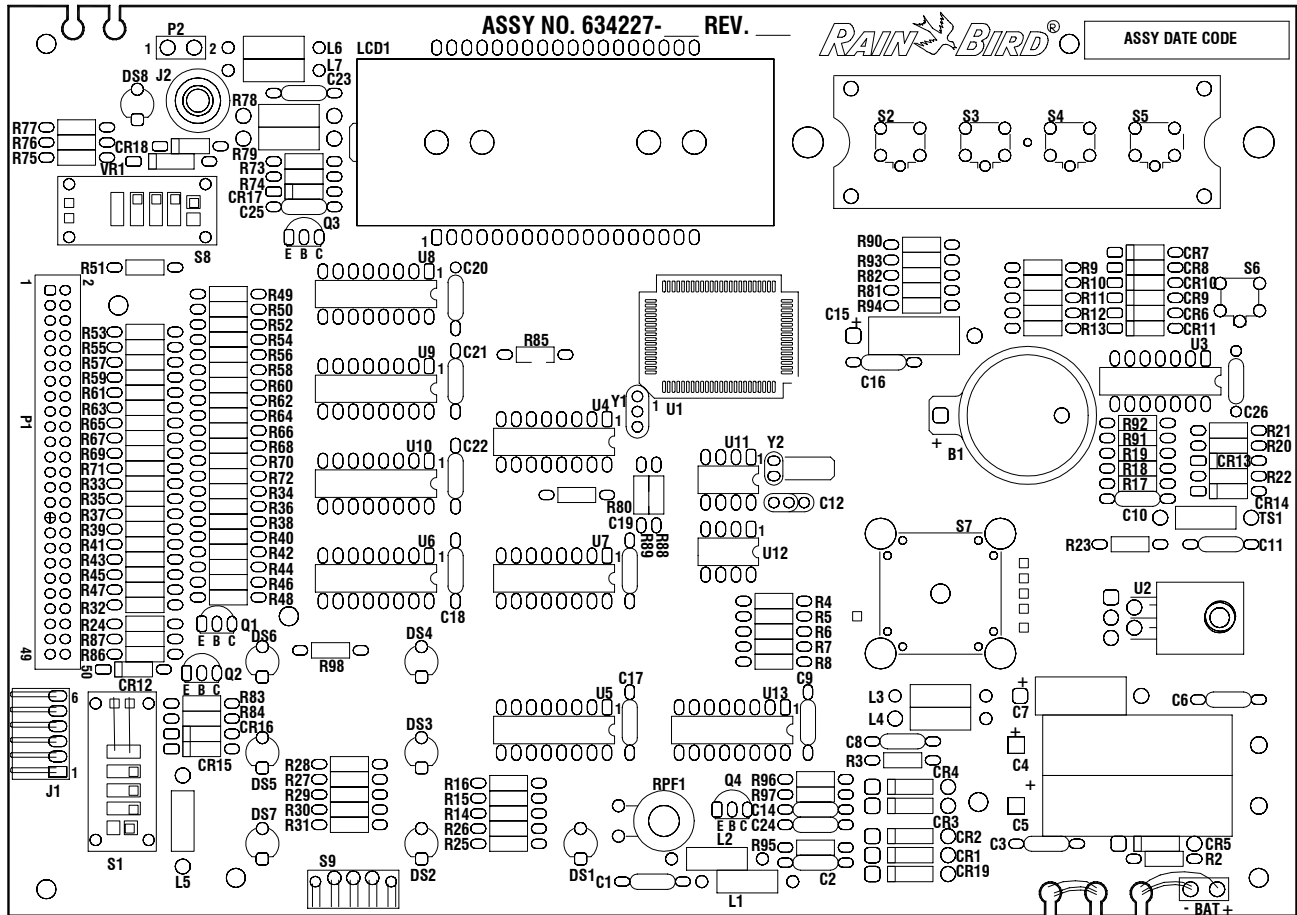
IESP12SATLP/ IESP16SATLP/ IESP24SATLP/ IESP32SATLP/ IESP40SATLP  
(LINK, PLASTIC WALL MOUNT, INTERNATIONAL, 240 VOLT, 50 Hz)

Ref.	Description	Qty.	12	16	24	32	40
<b>PWB ESP-MC LINK, CONT.</b>							
ZR1	Diode Zener	1	(650038-70)	(650038-70)	(650038-70)	(650038-70)	(650038-70)
C11	Capacitor,Electrl,Axial 47uF,25V	1	(650045-08)	(650045-08)	(650045-08)	(650045-08)	(650045-08)
R14	Resistor,Carbon Film,1/4W 100Ohms	1	650079-49	650079-49	650079-49	650079-49	650079-49
R16,17	Resistor,Carbon Film,1/4W 270Ohms	2	(650079-59)	(650079-59)	(650079-59)	(650079-59)	(650079-59)
R20-23	Resistor,Carbon Film,1/4W 1K Ohm	4	(650079-73)	(650079-73)	(650079-73)	(650079-73)	(650079-73)
R15	Resistor,Carbon Film,1/4W 1.5KOhm	1	(650079-77)	(650079-77)	(650079-77)	(650079-77)	(650079-77)
R24-26	Resistor,Carbon Film,1/4W 2KOhms	3	(650079-80)	(650079-80)	(650079-80)	(650079-80)	(650079-80)
R5-9, R11,13 R18,19	Resistor,Carbon Film,1/4W 4.7Kohm	9	650079-89	650079-89	650079-89	650079-89	650079-89
R27 R1-4	Resistor,Carbon Film, 1/4W 10KOhm	1	650079-97	650079-97	650079-97	650079-97	650079-97
R10,12	Resistor,Carbon Film, 1/4W 47KOhm	6	(650080-14)	(650080-14)	(650080-14)	(650080-14)	(650080-14)
VR1,2	Grease	0.01	(650101)	(650101)	(650101)	(650101)	(650101)
VR1,2	Rivet,Blind,Dome-head .125Dia	2	(650139-05)	(650139-05)	(650139-05)	(650139-05)	(650139-05)
-	Solder	0.01	(650160)	(650160)	(650160)	(650160)	(650160)
F1	Fuse, Mini, .197Dia 2Amps	1	(650307-03)	(650307-03)	(650307-03)	(650307-03)	(650307-03)
F1	Mini Fuse, Clips,.197Dia	2	(650308)	(650308)	(650308)	(650308)	(650308)
VR2	Voltage Regulator +5V	1	650332	650332	650332	650332	650332
VR1,2	Heatsink	2	(650335)	(650335)	(650335)	(650335)	(650335)
TP1	Test Point, PC Mount	1	(650336-01)	(650336-01)	(650336-01)	(650336-01)	(650336-01)
Q1,2	Transistor, PNP	2	650369	650369	650369	650369	650369
U5-7	I.C.,Opto Coupler	3	650445	650445	650445	650445	650445
U3	Socket, Prom Carrier 28 Pins	1	650518-02	650518-02	650518-02	650518-02	650518-02
BR1	Bridge, Rectifier 4A,200V	1	650581-03	650581-03	650581-03	650581-03	650581-03
C7	Capacitor,Tantalum Radial 2.2uF25V	1	650583-03	650583-03	650583-03	650583-03	650583-03
C2,17	Capacitor,Tantalum Radial 22uF25V	2	650583-09	650583-09	650583-09	650583-09	650583-09
J1	Connector DB-9S	1	(650610-05)	(650610-05)	(650610-05)	(650610-05)	(650610-05)
U2	Ic,Octal D-Type Latch	1	650611	650611	650611	650611	650611
J1	Jack Socket Kit	1	(650620)	(650620)	(650620)	(650620)	(650620)
Y1	Wire 22Awg Auto-Inserted .450Lead	0.55	(650625-03)	(650625-03)	(650625-03)	(650625-03)	(650625-03)
Y1	Crystal, Quartz 11.059MHz	1	650721	650721	650721	650721	650721
U1	Hex Bus Driver	1	650776	650776	650776	650776	650776
J3	Header,.156Ctrs 3 Pins	1	(650893-03)	(650893-03)	(650893-03)	(650893-03)	(650893-03)
VR1	Voltage Regulator +8V	1	650939	650939	650939	650939	650939
C9,10	Capacitor,Electrl,Axial 3300uF,25V	2	(650954)	(650954)	(650954)	(650954)	(650954)
TB1	Terminal. Blk. .300Ctrs 1 Posicion	4	(651000-01)	(651000-01)	(651000-01)	(651000-01)	(651000-01)
J2	Header,Polzd.,Ra.0.098 Ctrs.	1	(651005-06)	(651005-06)	(651005-06)	(651005-06)	(651005-06)
U4	Ic,Microcomputer	1	651031	651031	651031	651031	651031

Note: Part Numbers enclosed in brackets ( ) are not available individually, but may be sold in assemblies or kits.

IESP12SATLP/ IESP16SATLP/ IESP24SATLP/ IESP32SATLP/ IESP40SATLP  
(LINK, PLASTIC WALL MOUNT, INTERNATIONAL, 240 VOLT, 50 Hz)

PWB ASSEMBLY ESP-MC ESC-1 CONTROLLER



Ref.	Description	Qty.	12	16	24	32	40
<b>PWB ASSY ESP-MC ESC-1 CONTROLLER</b>			(634227-08)	(634227-09)	(634227-10)	(634227-11)	(634227-12)
S7	Switch, Rotary	1	(630609)	(630609)	(630609)	(630609)	(630609)
S8	Switch, Slide	1	(630651)	(630651)	(630651)	(630651)	(630651)
-	Label, Bar Code 39	1	(631356-01)	(631356-01)	(631356-01)	(631356-01)	(631356-01)
LCD1	Spacer, LCD	1	(632046)	(632046)	(632046)	(632046)	(632046)
P2	Sensor Cable	1	(632048-01)	(632048-01)	(632048-01)	(632048-01)	(632048-01)
J2	Spring, Shield .70Long	1	(632898-01)	(632898-01)	(632898-01)	(632898-01)	(632898-01)
-	Spring Shield .44Long	1	(632898-02)	(632898-02)	(632898-02)	(632898-02)	(632898-02)
LCD1	Liquid Crystal Display	1	(633087)	(633087)	(633087)	(633087)	(633087)
U1	Microcomp., Toshiba,OTP	1	(633088)	(633088)	(633088)	(633088)	(633088)
P1	Ribbon Cable Assy.	1	(633090)	(633090)	(633090)	(633090)	(633090)
-	Printed Wiring Board	1	(634228)	(634228)	(634228)	(634228)	(634228)
C12	Capacitor,Ceramic radial 6pF,50V	1	(650012-04)	(650012-04)	(650012-04)	(650012-04)	(650012-04)

Note: Part Numbers enclosed in brackets ( ) are not available individually, but may be sold in assemblies or kits.

IESP12SATLP/ IESP16SATLP/ IESP24SATLP/ IESP32SATLP/ IESP40SATLP  
(LINK, PLASTIC WALL MOUNT, INTERNATIONAL, 240 VOLT, 50 Hz)

Ref.	Description	Qty.	12	16	24	32	40
<b>PWB ASSY ESP-MC ESC-1 CONTROLLER, CONT.</b>							
U2	Washer, Flat, Carbon Steel No.5	1	(650023-03)	(650023-03)	(650023-03)	(650023-03)	(650023-03)
CR6	Diode, Switching	1	650037-01	650037-01	650037-01	650037-01	650037-01
CR7	Diode, Switching	1	650037-01	-	650037-01	-	650037-01
CR8	Diode, Switching	1	-	650037-01	650037-01	-	-
CR9	Diode, Switching	1	-	-	-	650037-01	650037-01
CR11-18	Diode, Switching	8	650037-01	650037-01	650037-01	650037-01	650037-01
VR1	Diode, Zener, 500mW, 5.6V	1	(650038-71)	(650038-71)	(650038-71)	(650038-71)	(650038-71)
C7, C15	Capacitor, Electrol, Axial 47uF, 10V	2	(650044-03)	(650044-03)	(650044-03)	(650044-03)	(650044-03)
BAT	Battery Snap 9V	1	650075	650075	650075	650075	650075
CR1-5 CR19	Diode, Gen Purpose, 1Amp	6	650077-02	650077-02	650077-02	650077-02	650077-02
R23, 85	Resistor, Carbon Film, 1/4W, 10Ohm	2	(650079-25)	(650079-25)	(650079-25)	(650079-25)	(650079-25)
R24, 32, R98, R49-56	Resistor, Carbon Film, 1/4W, 150Ohms	11	(650079-53)	(650079-53)	(650079-53)	(650079-53)	(650079-53)
R57-60	Resistor, Carbon Film, 1/4W, 150Ohms	4	(650079-53)	(650079-53)	(650079-53)	(650079-53)	(650079-53)
R61-64	Resistor, Carbon Film, 1/4W, 150Ohms	4	-	(650079-53)	(650079-53)	(650079-53)	(650079-53)
R65-72	Resistor, Carbon Film, 1/4W, 150Ohms	8	-	-	(650079-53)	(650079-53)	(650079-53)
R33-40	Resistor, Carbon Film, 1/4W, 150Ohms	8	-	-	-	(650079-53)	(650079-53)
R41-48	Resistor, Carbon Film, 1/4W, 150Ohms	8	-	-	-	-	(650079-53)
R25-31	Resistor, Carbon Film, 1/4W, 470Ohms	7	(650079-65)	(650079-65)	(650079-65)	(650079-65)	(650079-65)
R17, 95	Resistor, Carbon Film, 1/4W, 1KOhm	2	(650079-73)	(650079-73)	(650079-73)	(650079-73)	(650079-73)
R76	Resistor, Carbon Film, 1/4W, 2KOhms	1	(650079-80)	(650079-80)	(650079-80)	(650079-80)	(650079-80)
R2	Resistor, Carbon Film, 1/4W, 3.3KOhm	1	(650079-85)	(650079-85)	(650079-85)	(650079-85)	(650079-85)
R20-22, R84, R87-90	Resistor, Carbon Film, 1/4W, 4.7KOhm	8	650079-89	650079-89	650079-89	650079-89	650079-89
R92	Resistor, Carbon Film, 1/4W, 8.2KOhm	1	(650079-95)	(650079-95)	(650079-95)	(650079-95)	(650079-95)
R19, 91	Resistor, Carbon Film, 1/4W, 10KOhm	2	(650079-97)	(650079-97)	(650079-97)	(650079-97)	(650079-97)
R18, 80 R83, 86	Resistor, Carbon Film, 1/4W, 47KOhm	4	(650080-14)	(650080-14)	(650080-14)	(650080-14)	(650080-14)
R4-16, R73, 81, R82, 93, R94	Resistor, Carbon Film, 1/4W, 100KOh	18	(650080-22)	(650080-22)	(650080-22)	(650080-22)	(650080-22)
R3, 74, R75, 96, R97	Resistor, Carbon Film, 1/4W, 220KOh	5	(650080-30)	(650080-30)	(650080-30)	(650080-30)	(650080-30)
C3, 8-10, C14, 16, C17, 20, C24	Capacitor, Ceramic Axial .1uF, 50V	9	(650085-55)	(650085-55)	(650085-55)	(650085-55)	(650085-55)

Note: Part Numbers enclosed in brackets ( ) are not available individually, but may be sold in assemblies or kits.

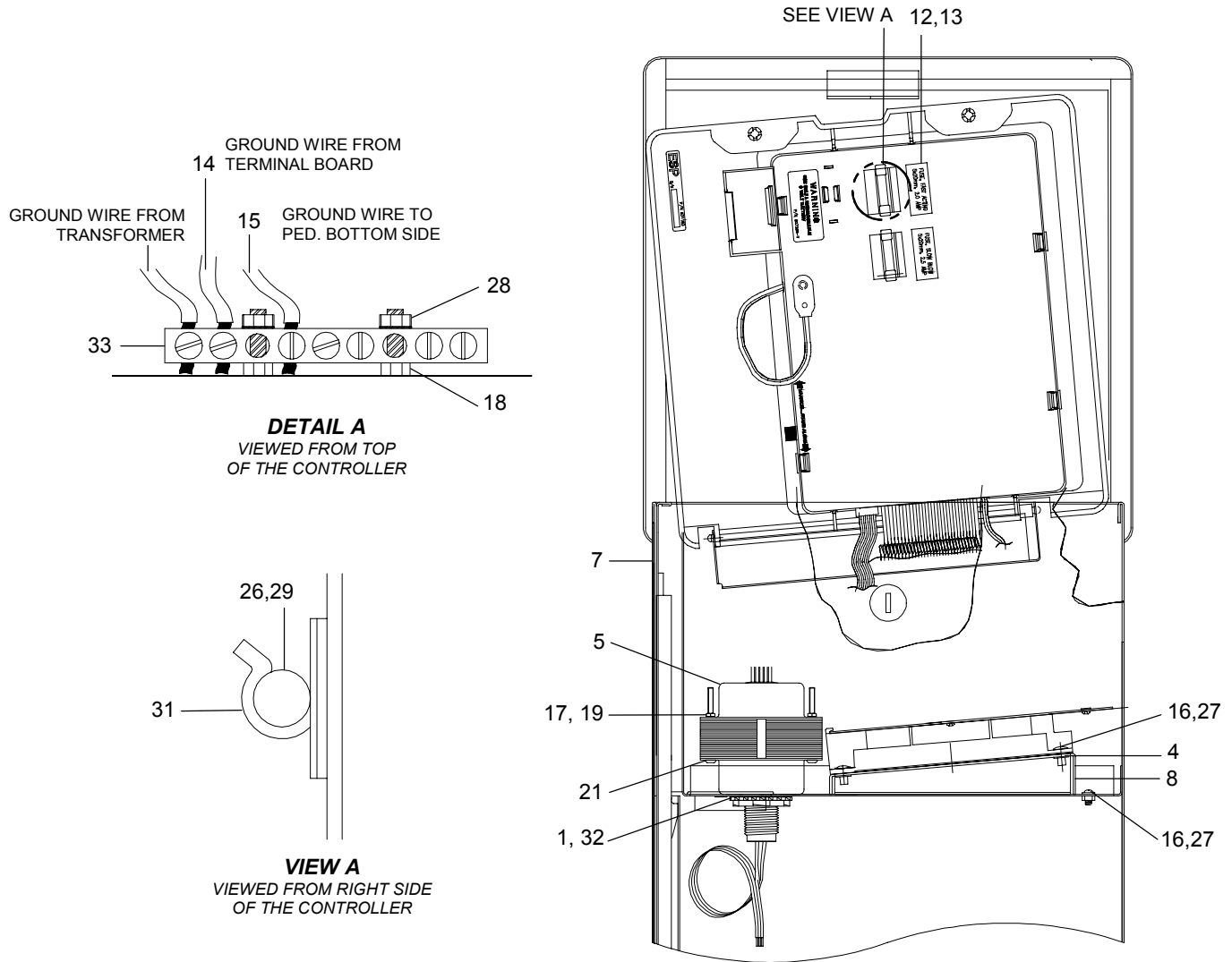
IESP12SATLP/ IESP16SATLP/ IESP24SATLP/ IESP32SATLP/ IESP40SATLP  
(LINK, PLASTIC WALL MOUNT, INTERNATIONAL, 240 VOLT, 50 Hz)

Ref.	Description	Qty.	12	16	24	32	40
<b>PWB ASSY ESP-MC ESC-1 CONTROLLER, CONT.</b>							
C21	Capacitor, Ceramic Axial .1uF, 50V	1	(650085-55)	(650085-55)	(650085-55)	(650085-55)	(650085-55)
C22	Capacitor, Ceramic Axial .1uF, 50V	1	-	-	(650085-55)	(650085-55)	(650085-55)
C18	Capacitor, Ceramic Axial .1uF, 50V	1	-	-	-	(650085-55)	(650085-55)
C19	Capacitor, Ceramic Axial .1uF, 50V	1	-	-	-	-	(650085-55)
U2	Rivet, Blind Dome HD .125 Dia	1	(650139-05)	(650139-05)	(650139-05)	(650139-05)	(650139-05)
R78,79	Resistor, Carbon Film, 1/2W, 1KOhm	2	(650202-73)	(650202-73)	(650202-73)	(650202-73)	(650202-73)
L1-7	Inductor, Ferrite Bead	7	650300-05	650300-05	650300-05	650300-05	650300-05
U3	I.C. Quad OP Amp	1	650358	650358	650358	650358	650358
Q3,4	Transistor, NPN, 625mW	2	650367	650367	650367	650367	650367
Q1,2	Transistor, PNP	2	650369	650369	650369	650369	650369
Y2	Crystal, Quartz 32.768KHz	1	(650484)	(650484)	(650484)	(650484)	(650484)
-	Lubricant, Switch	.001	(650588)	(650588)	(650588)	(650588)	(650588)
TS1	Transient Suppressor Bidirection 6.8V	1	(650595-01)	(650595-01)	(650595-01)	(650595-01)	(650595-01)
C5	Capacitor, Electro, Axial 330uF, 25V	1	(650624)	(650624)	(650624)	(650624)	(650624)
U4	3-8Line Decoder	1	650699	650699	650699	650699	650699
S2-6	Switch, Pushbutton	5	(650748)	(650748)	(650748)	(650748)	(650748)
C1,2,11, C23,25	Capacitor, Ceramic Axial .01uF, 100V	5	(650882-01)	(650882-01)	(650882-01)	(650882-01)	(650882-01)
C6	Capacitor, NPO, Axial 100pF, 100V	1	(650883-13)	(650883-13)	(650883-13)	(650883-13)	(650883-13)
C26	Capacitor, NPO, Axial 220pF, 100V	1	(650883-17)	(650883-17)	(650883-17)	(650883-17)	(650883-17)
U5,8	8Bit Adressable Latch	2	650889	650889	650889	650889	650889
U9	8Bit Adressable Latch	1	650889	650889	650889	650889	650889
U10	8Bit Adressable Latch	1	-	-	650889	650889	650889
U6	8Bit Adressable Latch	1	-	-	-	650889	650889
U7	8Bit Adressable Latch	1	-	-	-	-	650889
DS1-8	Led, Red, .200Ctrs.	8	650910	650910	650910	650910	650910
U2	Regulator, Low Dropout	1	(650962)	(650962)	(650962)	(650962)	(650962)
J2	Eyelet, Spring	1	(650985)	(650985)	(650985)	(650985)	(650985)
J1	Header, Right Angle 100Ctrs 6Pins	1	(651005-06)	(651005-06)	(651005-06)	(651005-06)	(651005-06)
B1	Battery, Lithium	1	(651009)	(651009)	(651009)	(651009)	(651009)
B1	Holder, Battery Coin	1	(651010)	(651010)	(651010)	(651010)	(651010)
U11	I.C., Real Time Clock	1	(651011)	(651011)	(651011)	(651011)	(651011)
U12	I.C., EEPROM-4K Byte, Serial	1	(651012)	(651012)	(651012)	(651012)	(651012)
Y1	Resonator, Ceramic, 8.0MHz	1	(651013)	(651013)	(651013)	(651013)	(651013)
U13	I.C., 8 Bit Input Mux	1	(651014)	(651014)	(651014)	(651014)	(651014)
C4	Capacitor, Electro, Axial 1000uF, 25V	1	(651054-12)	(651054-12)	(651054-12)	(651054-12)	(651054-12)
RPF1	Polyswitch, RXE 60V, .65A	1	(651055-08)	(651055-08)	(651055-08)	(651055-08)	(651055-08)
S9	Switch, Slide	1	(651292)	(651292)	(651292)	(651292)	(651292)

Note: Part Numbers enclosed in brackets ( ) are not available individually, but may be sold in assemblies or kits.

IESP12SATLS/ IESP16SATLS/ IESP24SATLS/ IESP32SATLS/ IESP40SATLS  
 (LINK, STAINLESS STEEL PEDESTAL, INTERNATIONAL, 240 VOLT, 50 Hz)

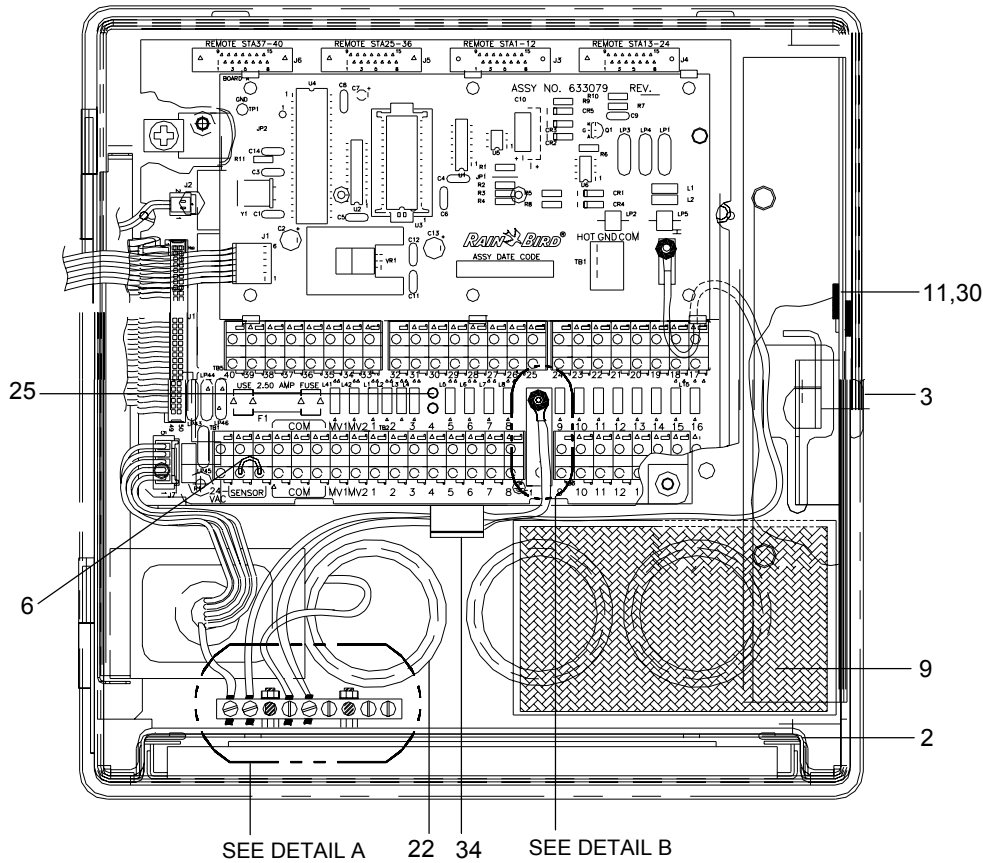
**CONTROLLER ASSEMBLY**



Ref.	Description	Qty.	12	16	24	32	40
<b>CONTROLLER ASSEMBLY</b>			(633487-06)	(633487-07)	(633487-08)	(633487-09)	(633487-10)
1	Locknut Conduit	1	(628013)	(628013)	(628013)	(628013)	(628013)
2	Panel Access Ped Top Opening	1	629466	629466	629466	629466	629466
3	Lock, Bent Cam	1	630336-02	630336-02	630336-02	630336-02	630336-02
4	Spacer, Terminal Board	1	(631919)	(631919)	(631919)	(631919)	(631919)
-	Cable Assy, 2Wire/Link Intfc-Mc	1	(633132)	(633132)	(633132)	(633132)	(633132)
5	Xfmr Assy, Link, 230V	1	(633165-02)	(633165-02)	(633165-02)	(633165-02)	(633165-02)
6	Sensor Jumper Wire	1	(633442)	(633442)	(633442)	(633442)	(633442)
7	Ped, Ss, Top Opening	1	(633477)	(633477)	(633477)	(633477)	(633477)

Note: Part Numbers enclosed in brackets ( ) are not available individually, but may be sold in assemblies or kits.

IESP12SATLS/ IESP16SATLS/ IESP24SATLS/ IESP32SATLS/ IESP40SATLS  
 (LINK, STAINLESS STEEL PEDESTAL, INTERNATIONAL, 240 VOLT, 50 Hz)

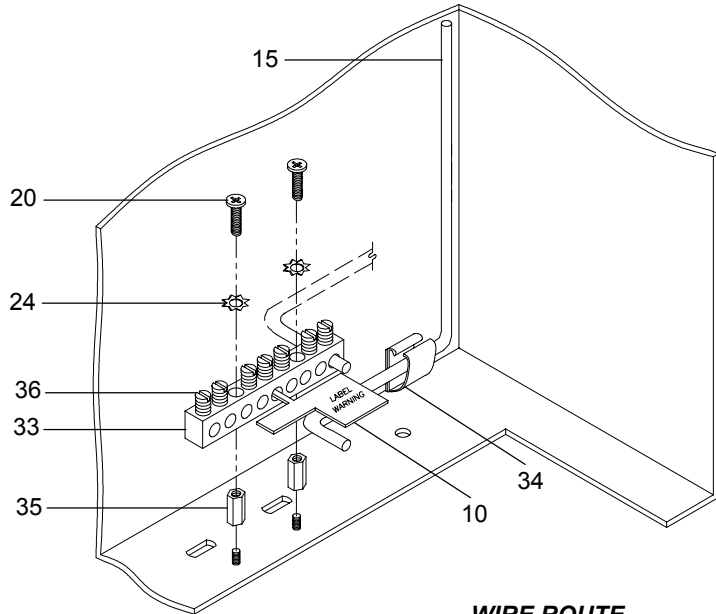


Ref.	Description	Qty.	12	16	24	32	40
<b>CONTROLLER ASSEMBLY, CONT.</b>							
8	Bracket, Term Mntng	1	(633485)	(633485)	(633485)	(633485)	(633485)
-	Label, Caution	1	(633657)	(633657)	(633657)	(633657)	(633657)
9	Box, Parts, Ss PEd	1	(633740)	(633740)	(633740)	(633740)	(633740)
-	Foam, Door Wdge, Ss Ped	1	(633743)	(633743)	(633743)	(633743)	(633743)
10	Label Warning Grounding	1	(634502)	(634502)	(634502)	(634502)	(634502)
11	Label, Warning Corrosio Inhib	1	(634558)	(634558)	(634558)	(634558)	(634558)
12	Label, Fuse 2.5 Amp	1	(634615)	(634615)	(634615)	(634615)	(634615)
13	Label, Fuse 2.0 Amp.	1	(634616)	(634616)	(634616)	(634616)	(634616)
14	Ground Wire Assy 12 Awg (11)	1	(634943-11)	(634943-11)	(634943-11)	(634943-11)	(634943-11)
15	Ground Wire Assy 12 Awg (48)	1	(634943-48)	(634943-48)	(634943-48)	(634943-48)	(634943-48)
-	Washer, Flat #8 .032	4	(650023-10)	(650023-10)	(650023-10)	(650023-10)	(650023-10)
16	Washer, Flat #10 .032	8	(650023-13)	(650023-13)	(650023-13)	(650023-13)	(650023-13)
17	Washer, Ksdr, #8 .040, Cres	2	(650029-04)	(650029-04)	(650029-04)	(650029-04)	(650029-04)
18	Nut, Pl, Hex, #8-32, Cres, Psvtd	2	(650033-04)	(650033-04)	(650033-04)	(650033-04)	(650033-04)
19	Nut, Hex #8	2	(650034-04)	(650034-04)	(650034-04)	(650034-04)	(650034-04)

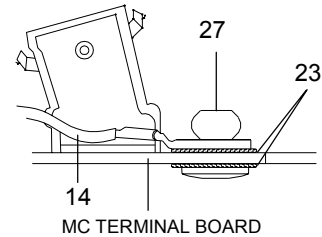
Note: Part Numbers enclosed in brackets ( ) are not available individually, but may be sold in assemblies or kits.



IESP12SATLS/ IESP16SATLS/ IESP24SATLS/ IESP32SATLS/ IESP40SATLS  
 (LINK, STAINLESS STEEL PEDESTAL, INTERNATIONAL, 240 VOLT, 50 Hz)



**WIRE ROUTE**  
INSIDE BASE



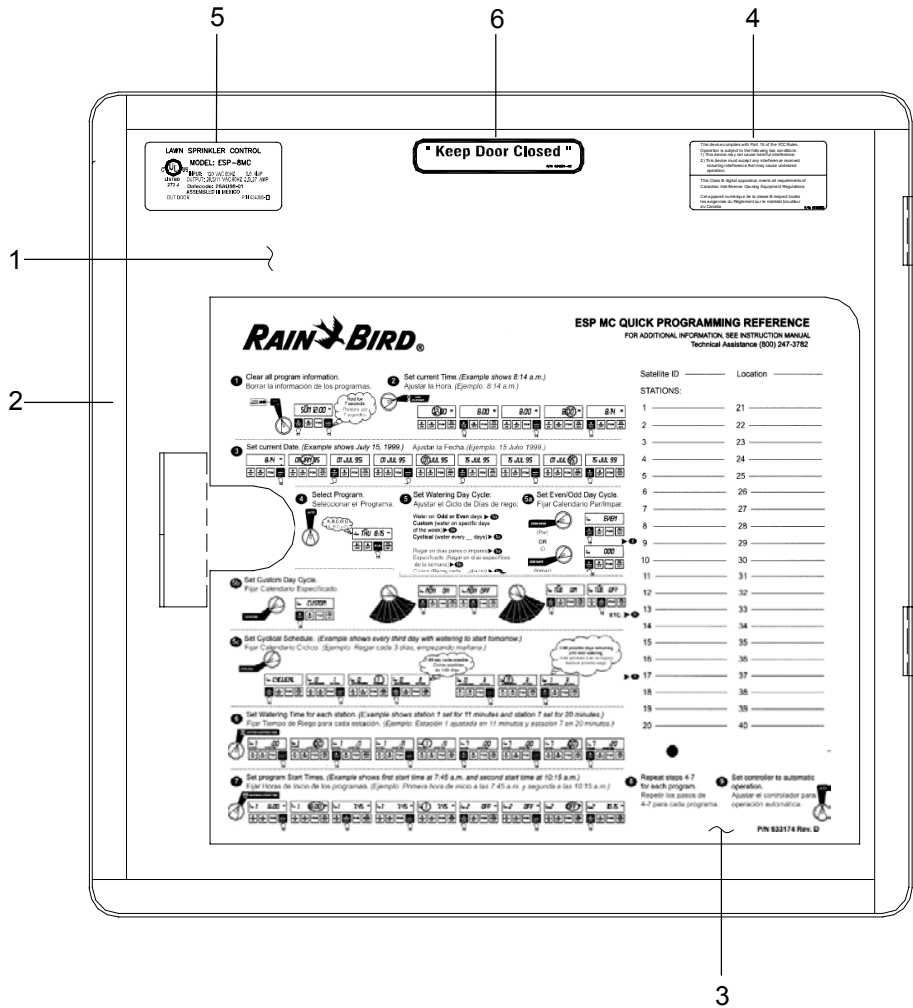
**DETAIL B**  
VIEWED FROM RIGHT SIDE  
OF THE CONTROLLER

Ref.	Description	Qty.	12	16	24	32	40
<b>CONTROLLER ASSEMBLY, CONT.</b>							
20	Screw 8-32 .750 Pn Hd	2	(650106-47)	(650106-47)	(650106-47)	(650106-47)	(650106-47)
21	Screw 8-32 x 3 Pn Hd	2	(650106-57)	(650106-57)	(650106-57)	(650106-57)	(650106-57)
22	Bushing Snap Nylon	3	(650152-53)	(650152-53)	(650152-53)	(650152-53)	(650152-53)
23	Wshr Lk, #10, Ext-Tooth,Z-Pltd	2	(650162-04)	(650162-04)	(650162-04)	(650162-04)	(650162-04)
24	Washer #8 32x5/16	2	(650163-03)	(650163-03)	(650163-03)	(650163-03)	(650163-03)
25	Screw Phl Pnh Hi-Lo 7-19x1/2	3	(650183-63)	(650183-63)	(650183-63)	(650183-63)	(650183-63)
26	Fuse 5x20MM 2 Amps	1	(650307-03)	(650307-03)	(650307-03)	(650307-03)	(650307-03)
27	Rivet, Blind 0.19	9	(650434-13)	(650434-13)	(650434-13)	(650434-13)	(650434-13)
-	Plug, Hole .250,Nyl, Black	1	(650485-03)	(650485-03)	(650485-03)	(650485-03)	(650485-03)
-	Plug, Hole .375,Nyl, Black	1	(650485-07)	(650485-07)	(650485-07)	(650485-07)	(650485-07)
-	Locknut Conduit	2	(650498)	(650498)	(650498)	(650498)	(650498)
28	Nut, #8-32 Hex W/Star Washer	2	(650634-04)	(650634-04)	(650634-04)	(650634-04)	(650634-04)
-	Spacer, Circuit Board, Edge Hold	6	(650912-10)	(650912-10)	(650912-10)	(650912-10)	(650912-10)
29	Fuse, 5x20MM, Slow Blow 2 1/2 Amp	1	650966-14	650966-14	650966-14	650966-14	650966-14
30	Impregnated Foam Corrosion Inh	1	(651331)	(651331)	(651331)	(651331)	(651331)
31	Holder Fuse	2	(651384)	(651384)	(651384)	(651384)	(651384)
32	Lock Washer, External Tooth	1	(651389)	(651389)	(651389)	(651389)	(651389)
33	Bar Bus Grounding	2	(651440)	(651440)	(651440)	(651440)	(651440)
34	Wire Clip With Adhesive	6	(651446-02)	(651446-02)	(651446-02)	(651446-02)	(651446-02)
35	Aluminum Hex Standoff	2	(651500-09)	(651500-09)	(651500-09)	(651500-09)	(651500-09)
36	Slotted Ste Screw 1/4-28x.500	7	(651510)	(651510)	(651510)	(651510)	(651510)

Note: Part Numbers enclosed in brackets ( ) are not available individually, but may be sold in assemblies or kits.

IESP12SATLS/ IESP16SATLS/ IESP24SATLS/ IESP32SATLS/ IESP40SATLS  
 (LINK, STAINLESS STEEL PEDESTAL, INTERNATIONAL, 240 VOLT, 50 Hz)

DOOR ASSEMBLY

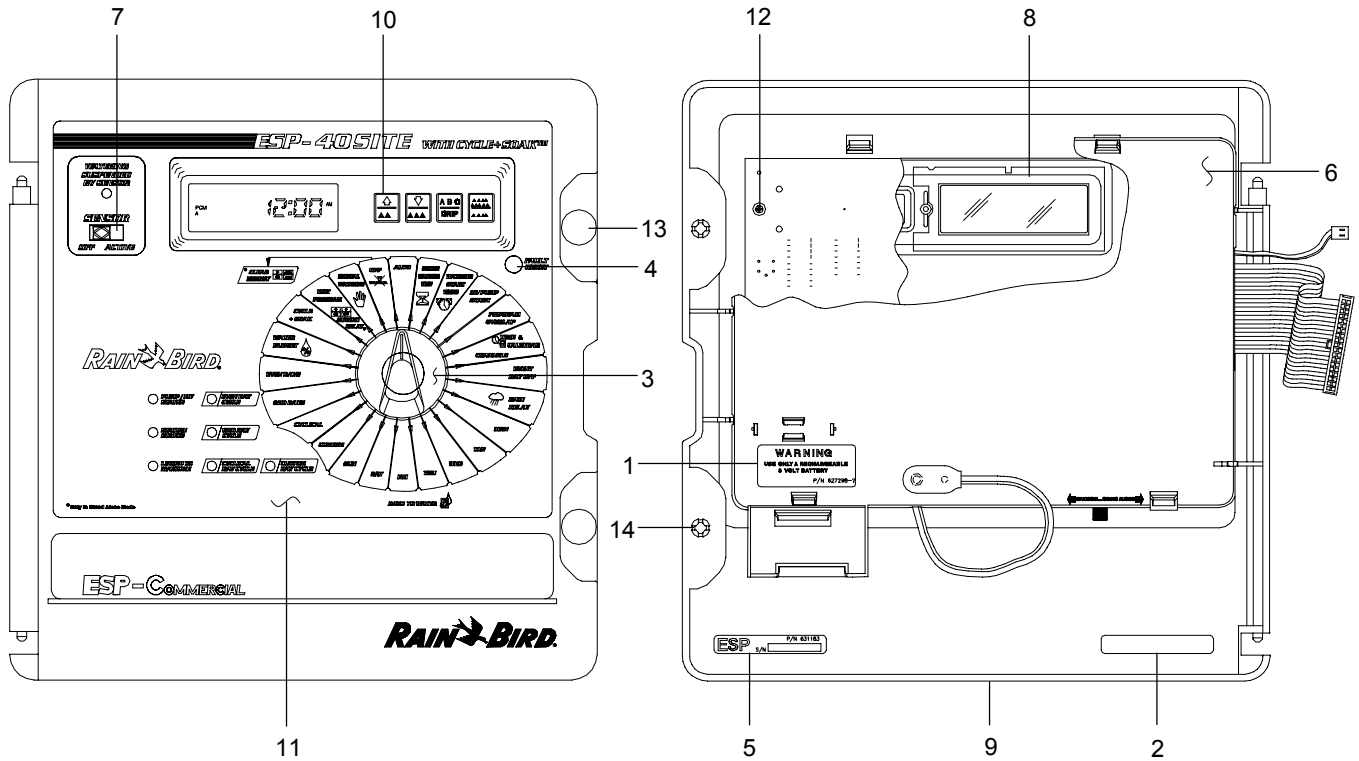


Ref.	Description	Qty.	12	16	24	32	40
<b>DOOR ASSEMBLY</b>							
-	Door Assy, Pedestal	1	(633482-06)	(633482-06)	(633482-06)	(633482-06)	(633482-06)
1	Door, Pedestal	1	(629463)	(629463)	(629463)	(629463)	(629463)
2	Gasket Foam S/S Ped a Per	4	(629499)	(629499)	(629499)	(629499)	(629499)
3	Label/Envelope	1	(633174)	(633174)	(633174)	(633174)	(633174)
4	Label, Fcc Compliance	1	(633662)	(633662)	(633662)	(633662)	(633662)
5	Label, Rating	1	(634385-08)	(634385-08)	(634385-08)	(634385-08)	(634385-08)
6	Label, Keep Door Closed	1	(634501)	(634501)	(634501)	(634501)	(634501)

Note: Part Numbers enclosed in brackets ( ) are not available individually, but may be sold in assemblies or kits.

IESP12SATLS/ IESP16SATLS/ IESP24SATLS/ IESP32SATLS/ IESP40SATLS  
 (LINK, STAINLESS STEEL PEDESTAL, INTERNATIONAL, 240 VOLT, 50 Hz)

**FRONT PANEL ASSEMBLY**

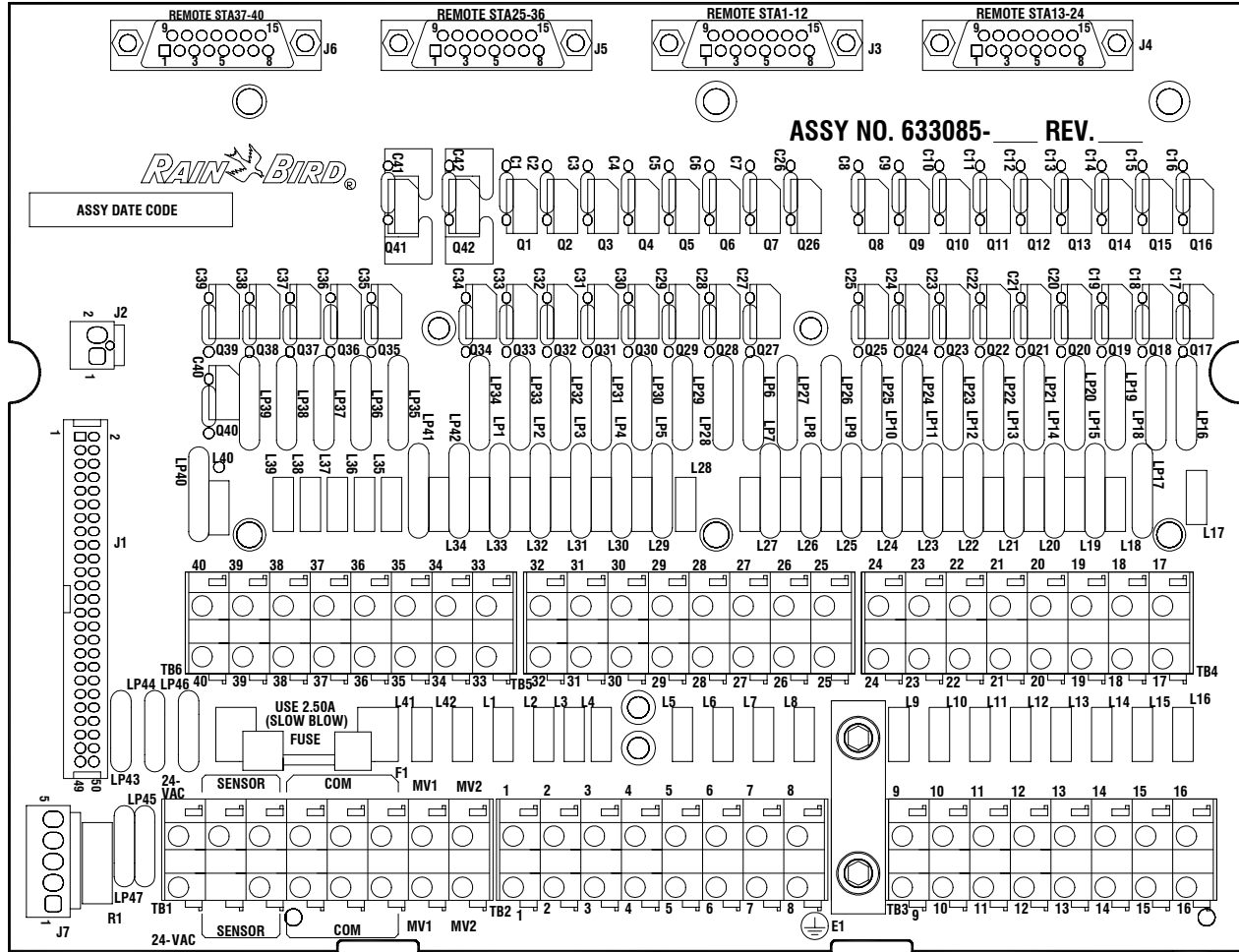


Ref.	Description	Qty.	12	16	24	32	40
<b>FRONT PANEL ASSEMBLY</b>			(633461-02)	(633461-03)	(633461-04)	(633461-05)	(633461-06)
1	Label Warning Cic 8/12	1	(627298)	(627298)	(627298)	(627298)	(627298)
2	Label Date Code	1	(627867)	(627867)	(627867)	(627867)	(627867)
3	Func Select Knob Assy, Gray	1	630946	630946	630946	630946	630946
-	Esp Func Select Knob, Gray	1	(630947)	(630947)	(630947)	(630947)	(630947)
-	Ring Compression	1	(650505-06)	(650505-06)	(650505-06)	(650505-06)	(650505-06)
4	Button, Tm Pb Switch	1	(631136)	(631136)	(631136)	(631136)	(631136)
5	Label, Serial	1	(631183)	(631183)	(631183)	(631183)	(631183)
6	Cover, Pwb	1	(631920)	(631920)	(631920)	(631920)	(631920)
7	Switch, Actuator- Paragon	1	(632510)	(632510)	(632510)	(632510)	(632510)
8	Lens, Lcd-Esp-C-Lx	1	632700	632700	632700	632700	632700
9	Fp/Shield Assy-Esp-C	1	(632906)	(632906)	(632906)	(632906)	(632906)
-	Front Panel Esp-Mc	1	(631918)	(631918)	(631918)	(631918)	(631918)
-	Shield, Front Panel-Esp-C	1	(632897)	(632897)	(632897)	(632897)	(632897)
10	Keypad, Silicone	1	(632908)	(632908)	(632908)	(632908)	(632908)
11	Overlay, Fr Panel	1	(633324-02)	(633324-03)	(633324-04)	(633324-05)	(633324-06)
12	Screw, 4-24 x 5/16 Hi-Lo W/Wshr	5	(650563-23)	(650563-23)	(650563-23)	(650563-23)	(650563-23)
13	Lock, Plunger	2	(650927-02)	(650927-02)	(650927-02)	(650927-02)	(650927-02)
14	Lock, Grommet	2	(650928-02)	(650928-02)	(650928-02)	(650928-02)	(650928-02)

Note: Part Numbers enclosed in brackets ( ) are not available individually, but may be sold in assemblies or kits.

IESP12SATLS/ IESP16SATLS/ IESP24SATLS/ IESP32SATLS/ IESP40SATLS  
(LINK, STAINLESS STEEL PEDESTAL, INTERNATIONAL, 240 VOLT, 50 Hz)

PWB ASSY TERMINAL



Ref.	Description	Qty.	12	16	24	32	40
<b>PWB ASSY TERMINAL</b>							
LP45,47	Mov 56V,1000A	2	(633085-08)	(633085-09)	(633085-10)	(633085-11)	(633085-12)
LP46	Mov 56V,1000A	1	624624	624624	624624	624624	624624
-	Label, Bar Code 39	1	(631356-01)	(631356-01)	(631356-01)	(631356-01)	(631356-01)
-	Printed Wiring Board	1	(633086)	(633086)	(633086)	(633086)	(633086)
-	Solder	.001	(650160)	(650160)	(650160)	(650160)	(650160)
L1-8, L41,L42	Inductor, Ferrite Bead	10	650300-05	650300-05	650300-05	650300-05	650300-05
L9-12	Inductor, Ferrite Bead	4	650300-05	650300-05	650300-05	650300-05	650300-05
L13-16	Inductor, Ferrite Bead	4	-	650300-05	650300-05	650300-05	650300-05
L17-24	Inductor, Ferrite Bead	8	-	-	650300-05	650300-05	650300-05
L25-32	Inductor, Ferrite Bead	8	-	-	-	650300-05	650300-05

Note: Part Numbers enclosed in brackets ( ) are not available individually, but may be sold in assemblies or kits.

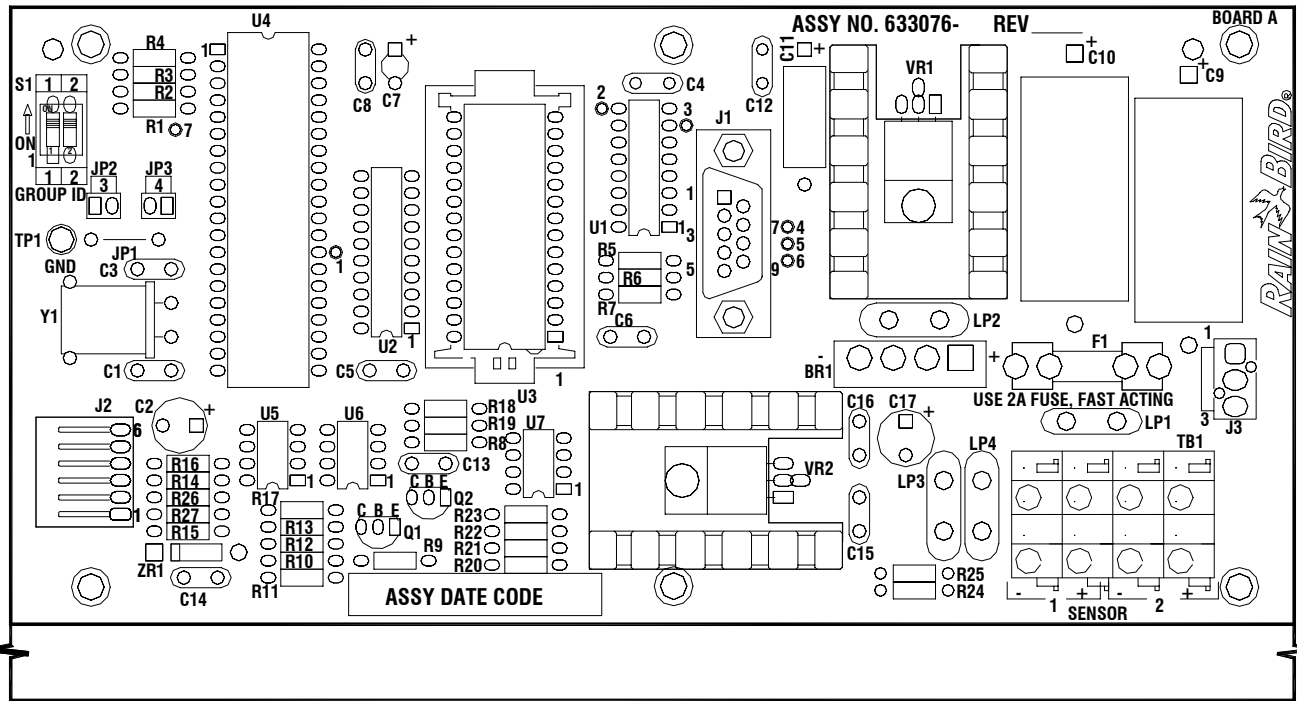
IESP12SATLS/ IESP16SATLS/ IESP24SATLS/ IESP32SATLS/ IESP40SATLS  
(LINK, STAINLESS STEEL PEDESTAL, INTERNATIONAL, 240 VOLT, 50 Hz)

Ref.	Description	Qty.	12	16	24	32	40
<b>PWB ASSY TERMINAL, CONT.</b>							
L33-40	Inductor, Ferrite Bead	8	-	-	-	-	650300-05
-	Mini Fuse Clips .197 Dia	2	(650308)	(650308)	(650308)	(650308)	(650308)
J3	Connector, DB15S 15Pins	1	(650610-06)	(650610-06)	(650610-06)	(650610-06)	(650610-06)
J4	Connector, DB15S 15Pins	1	-	(650610-06)	(650610-06)	(650610-06)	(650610-06)
J5	Connector, DB15S 15Pins	1	-	-	-	(650610-06)	(650610-06)
J6	Connector, DB15S 15Pins	1	-	-	-	-	(650610-06)
J3	Jack Socket Kit	1	(650620)	(650620)	(650620)	(650620)	(650620)
J4	Jack Socket Kit	1	-	(650620)	(650620)	(650620)	(650620)
J5	Jack Socket Kit	1	-	-	-	(650620)	(650620)
J6	Jack Socket Kit	1	-	-	-	-	(650620)
R1	Resistor, 2%, 2W, .1Ohm	1	(650766-01)	(650766-01)	(650766-01)	(650766-01)	(650766-01)
LP1-8	Mov 20MM 47V, 2000A	10	650796	650796	650796	650796	650796
LP41,42	Mov 20MM 47V, 2000A	4	650796	650796	650796	650796	650796
LP9-12	Mov 20MM 47V, 2000A	4	650796	650796	650796	650796	650796
LP13-16	Mov 20MM 47V, 2000A	4	-	650796	650796	650796	650796
LP17-24	Mov 20MM 47V, 2000A	8	-	-	650796	650796	650796
LP25-32	Mov 20MM 47V, 2000A	8	-	-	-	650796	650796
LP33-40	Mov 20MM 47V, 2000A	8	-	-	-	-	650796
J1	Header, Polzd., .100Ctrs. 50Pins.	1	(650872-50)	(650872-50)	(650872-50)	(650872-50)	(650872-50)
LP44	Mov 47V, 1000A	1	650875	650875	650875	650875	650875
C1-8	Capacitor Ceramic Axial .01uF, 100V	10	(650882-01)	(650882-01)	(650882-01)	(650882-01)	(650882-01)
C41,42	Capacitor Ceramic Axial .01uF, 100V	4	(650882-01)	(650882-01)	(650882-01)	(650882-01)	(650882-01)
C9-12	Capacitor Ceramic Axial .01uF, 100V	4	-	(650882-01)	(650882-01)	(650882-01)	(650882-01)
C13-16	Capacitor Ceramic Axial .01uF, 100V	4	-	(650882-01)	(650882-01)	(650882-01)	(650882-01)
C17-24	Capacitor Ceramic Axial .01uF, 100V	8	-	-	(650882-01)	(650882-01)	(650882-01)
C25-32	Capacitor Ceramic Axial .01uF, 100V	8	-	-	-	(650882-01)	(650882-01)
C33-40	Capacitor Ceramic Axial .01uF, 100V	8	-	-	-	-	(650882-01)
-	Mini Fuse .197Dia 2.5 Amp	1	650966-14	650966-14	650966-14	650966-14	650966-14
TB1,2	Terminal Block .300spc 1Pos	16	(651000-01)	(651000-01)	(651000-01)	(651000-01)	(651000-01)
TB3	Terminal Block .300spc 1Pos	8	(651000-01)	(651000-01)	(651000-01)	(651000-01)	(651000-01)
TB4	Terminal Block .300spc 1Pos	8	-	-	(651000-01)	(651000-01)	(651000-01)
TB5	Terminal Block .300spc 1Pos	8	-	-	-	(651000-01)	(651000-01)
TB6	Terminal Block .300spc 1Pos	8	-	-	-	-	(651000-01)
Q1-8	Triac, 6Amps	10	651138	651138	651138	651138	651138
Q41,42	Triac, 6Amps	4	651138	651138	651138	651138	651138
Q9-12	Triac, 6Amps	4	-	651138	651138	651138	651138
Q13-16	Triac, 6Amps	4	-	-	651138	651138	651138
Q17-24	Triac, 6Amps	8	-	-	651138	651138	651138
Q25-32	Triac, 6Amps	8	-	-	-	651138	651138
Q33-40	Triac, 6Amps	8	-	-	-	-	651138
LP43	Mov 50V, 2500A	1	(651272)	(651272)	(651272)	(651272)	(651272)

Note: Part Numbers enclosed in brackets ( ) are not available individually, but may be sold in assemblies or kits.

IESP12SATLS/ IESP16SATLS/ IESP24SATLS/ IESP32SATLS/ IESP40SATLS  
 (LINK, STAINLESS STEEL PEDESTAL, INTERNATIONAL, 240 VOLT, 50 Hz)

PWB ASSY ESP-MC LINK



Ref.	Description	Qty.	12	16	24	32	40
<b>PWB ASSY ESP-MC LINK</b>							
S1	Dip Switch, Spst	1	(633076-01)	(633076-01)	(633076-01)	(633076-01)	(633076-01)
-	Label, bar Code 39	1	(631012-02)	(631012-02)	(631012-02)	(631012-02)	(631012-02)
-	Printed Wiring Board	1	(631356-01)	(631356-01)	(631356-01)	(631356-01)	(631356-01)
U3	Prom Carrier Assy	1	(633077)	(633077)	(633077)	(633077)	(633077)
-	Label,Mat. Brady .375 x 1.00	1	633323-03	633323-03	633323-03	633323-03	633323-03
-	Carrier Ic 28 Pin	1	(632347-02)	(632347-02)	(632347-02)	(632347-02)	(632347-02)
-	Ic 27c256, Dip Eprom	1	(650517-02)	(650517-02)	(650517-02)	(650517-02)	(650517-02)
C1,3	Capacitor,Ceramic Disc 30pF,50V	2	(650715)	(650715)	(650715)	(650715)	(650715)
C4-6,8	Capacitor,Ceramic Disc 0.1uF,50V	8	(650012-15)	(650012-15)	(650012-15)	(650012-15)	(650012-15)
C12,14	Capacitor,Ceramic Disc 0.1uF,50V	8	650013-45	650013-45	650013-45	650013-45	650013-45
C15,16	Capacitor,Ceramic Disc 0.1uF,50V	8	(650014-27)	(650014-27)	(650014-27)	(650014-27)	(650014-27)
C13	Capacitor, Ceramic Disc .01uF,50V	1	(650014-27)	(650014-27)	(650014-27)	(650014-27)	(650014-27)
LP1-4	Mov 33V,500A	4	650015	650015	650015	650015	650015

Note: Part Numbers enclosed in brackets ( ) are not available individually, but may be sold in assemblies or kits.

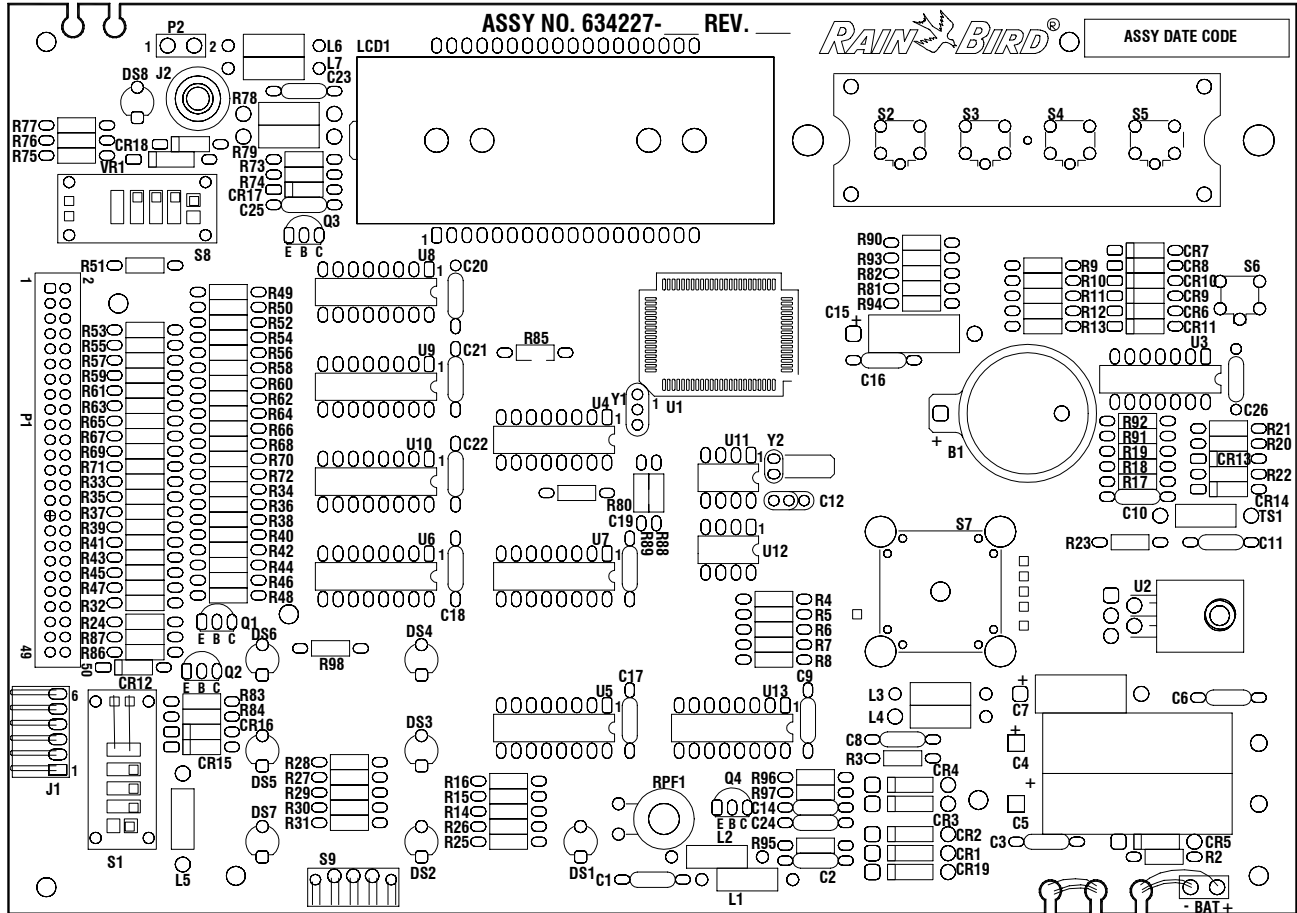
IESP12SATLS/ IESP16SATLS/ IESP24SATLS/ IESP32SATLS/ IESP40SATLS  
(LINK, STAINLESS STEEL PEDESTAL, INTERNATIONAL, 240 VOLT, 50 Hz)

Ref.	Description	Qty.	12	16	24	32	40
<b>PWB ASSY ESP-MC LINK, CONT.</b>							
ZR1	Diode Zener	1	(650038-70)	(650038-70)	(650038-70)	(650038-70)	(650038-70)
C11	Capacitor,Electrl,Axial 47uF,25V	1	(650045-08)	(650045-08)	(650045-08)	(650045-08)	(650045-08)
R14	Resistor,Carbon Film,1/4W 100Ohms	1	650079-49	650079-49	650079-49	650079-49	650079-49
R16,17	Resistor,Carbon Film,1/4W 270Ohms	2	(650079-59)	(650079-59)	(650079-59)	(650079-59)	(650079-59)
R20-23	Resistor,Carbon Film,1/4W 1K Ohm	4	(650079-73)	(650079-73)	(650079-73)	(650079-73)	(650079-73)
R15	Resistor,Carbon Film,1/4W 1.5KOhm	1	(650079-77)	(650079-77)	(650079-77)	(650079-77)	(650079-77)
R24-26	Resistor,Carbon Film,1/4W 2KOhms	3	(650079-80)	(650079-80)	(650079-80)	(650079-80)	(650079-80)
R5-9, R11,13 R18,19	Resistor,Carbon Film,1/4W 4.7Kohm	9	650079-89	650079-89	650079-89	650079-89	650079-89
R27	Resistor,Carbon Film, 1/4W 10KOhm	1	650079-97	650079-97	650079-97	650079-97	650079-97
R1-4 R10,12	Resistor,Carbon Film, 1/4W 47KOhm	6	(650080-14)	(650080-14)	(650080-14)	(650080-14)	(650080-14)
VR1,2	Grease	0.01	(650101)	(650101)	(650101)	(650101)	(650101)
VR1,2	Rivet,Blind,Dome-head .125Dia	2	(650139-05)	(650139-05)	(650139-05)	(650139-05)	(650139-05)
-	Solder	0.01	(650160)	(650160)	(650160)	(650160)	(650160)
F1	Fuse, Mini, .197Dia 2Amps	1	(650307-03)	(650307-03)	(650307-03)	(650307-03)	(650307-03)
F1	Mini Fuse, Clips,.197Dia	2	(650308)	(650308)	(650308)	(650308)	(650308)
VR2	Voltage Regulator +5V	1	650332	650332	650332	650332	650332
VR1,2	Heatsink	2	(650335)	(650335)	(650335)	(650335)	(650335)
TP1	Test Point, PC Mount	1	(650336-01)	(650336-01)	(650336-01)	(650336-01)	(650336-01)
Q1,2	Transistor, PNP	2	650369	650369	650369	650369	650369
U5-7	I.C., Opto Coupler	3	650445	650445	650445	650445	650445
U3	Socket, Prom Carrier 28 Pins	1	650518-02	650518-02	650518-02	650518-02	650518-02
BR1	Bridge, Rectifier 4A,200V	1	650581-03	650581-03	650581-03	650581-03	650581-03
C7	Capacitor,Tantalum Radial 2.2uF25V	1	650583-03	650583-03	650583-03	650583-03	650583-03
C2,17	Capacitor,Tantalum Radial 22uF25V	2	650583-09	650583-09	650583-09	650583-09	650583-09
J1	Connector DB-9S	1	(650610-05)	(650610-05)	(650610-05)	(650610-05)	(650610-05)
U2	Ic,Octal D-Type Latch	1	650611	650611	650611	650611	650611
J1	Jack Socket Kit	1	(650620)	(650620)	(650620)	(650620)	(650620)
Y1	Wire 22Awg Auto-Inserted .450Lead	0.55	(650625-03)	(650625-03)	(650625-03)	(650625-03)	(650625-03)
Y1	Crystal, Quartz 11.059MHz	1	650721	650721	650721	650721	650721
U1	Hex Bus Driver	1	650776	650776	650776	650776	650776
J3	Header,.156Ctrs 3 Pins	1	(650893-03)	(650893-03)	(650893-03)	(650893-03)	(650893-03)
VR1	Voltage Regulator +8V	1	650939	650939	650939	650939	650939
C9,10	Capacitor,Electrl,Axial 3300uF,25V	2	(650954)	(650954)	(650954)	(650954)	(650954)
TB1	Terminal. Blk. .300Ctrs 1 Posicion	4	(651000-01)	(651000-01)	(651000-01)	(651000-01)	(651000-01)
J2	Header,Polzd.,Ra,0.098 Ctrs.	1	(651005-06)	(651005-06)	(651005-06)	(651005-06)	(651005-06)
U4	Ic,Microcomputer	1	651031	651031	651031	651031	651031

Note: Part Numbers enclosed in brackets ( ) are not available individually, but may be sold in assemblies or kits.

IESP12SATLS/ IESP16SATLS/ IESP24SATLS/ IESP32SATLS/ IESP40SATLS  
(LINK, STAINLESS STEEL PEDESTAL, INTERNATIONAL, 240 VOLT, 50 Hz)

PWB ASSY ESC-MC ESC-1 CONTROLLER



Ref.	Description	Qty.	12	16	24	32	40
<b>PWB ASSY ESP-MC ESC-1 CONTROLLER</b>			(634227-02)	(634227-03)	(634227-04)	(634227-05)	(634227-06)
S7	Switch Rotary	1	(630609)	(630609)	(630609)	(630609)	(630609)
S8	Switch, Slide	1	(630651)	(630651)	(630651)	(630651)	(630651)
-	Label, Bar Code 39	1	(631356-01)	(631356-01)	(631356-01)	(631356-01)	(631356-01)
LCD1	Spacer, LCD	1	(632046)	(632046)	(632046)	(632046)	(632046)
P2	Sensor Cable	1	(632048-01)	(632048-01)	(632048-01)	(632048-01)	(632048-01)
J2	Spring, Shield .70 Long	1	(632898-01)	(632898-01)	(632898-01)	(632898-01)	(632898-01)
LCD1	Liquid, Crystal Display	1	(633087)	(633087)	(633087)	(633087)	(633087)
U1	Microcomp., Toshiba, OTP	1	(633088)	(633088)	(633088)	(633088)	(633088)
P1	Ribbon Cable Assy 50Ckts	1	(633090)	(633090)	(633090)	(633090)	(633090)
-	Printed Wiring Board	1	(634228)	(634228)	(634228)	(634228)	(634228)
C12	Capacitor, ceramic radial 6pF, 50V	1	(650012-04)	(650012-04)	(650012-04)	(650012-04)	(650012-04)
U2	Washer, Flat, carbon Steel	1	(650023-03)	(650023-03)	(650023-03)	(650023-03)	(650023-03)

Note: Part Numbers enclosed in brackets ( ) are not available individually, but may be sold in assemblies or kits.



IESP12SATLS/ IESP16SATLS/ IESP24SATLS/ IESP32SATLS/ IESP40SATLS  
(LINK, STAINLESS STEEL PEDESTAL, INTERNATIONAL, 240 VOLT, 50 Hz)

Ref.	Description	Qty.	12	16	24	32	40
<b>PWB ASSY ESP-MC ESC-1 CONTROLLER, CONT.</b>							
CR6	Diode, Switching	1	650037-01	650037-01	650037-01	650037-01	650037-01
CR7	Diode, Switching	1	650037-01	-	650037-01	-	650037-01
CR8	Diode, Switching	1	-	650037-01	650037-01	-	-
CR9	Diode, Switching	1	-	-	-	650037-01	650037-01
CR11-18	Diode, Switching	8	650037-01	650037-01	650037-01	650037-01	650037-01
VR1	Diode, Zener, 500mW, 5.6V	1	(650038-71)	(650038-71)	(650038-71)	(650038-71)	(650038-71)
C7, 15	Capacitor, Electrolytic, Axial 47uF, 10V	2	(650044-03)	(650044-03)	(650044-03)	(650044-03)	(650044-03)
BAT	Battery Snap 9V	1	650075	650075	650075	650075	650075
CR1-5 C19	Diode, Gen Purpose, 1Amp	6	650077-02	650077-02	650077-02	650077-02	650077-02
R23, 85 R98	Resistor, Carbon Film, 1/4W, 10Ohms	2	(650079-25)	(650079-25)	(650079-25)	(650079-25)	(650079-25)
R49-56 R24, 32,	Resistor, Carbon Film 1/4W, 150Ohms	11	(650079-53)	(650079-53)	(650079-53)	(650079-53)	(650079-53)
R57-60	Resistor, Carbon Film 1/4W, 150Ohms	4	(650079-53)	(650079-53)	(650079-53)	(650079-53)	(650079-53)
R61-64	Resistor, Carbon Film 1/4W, 150Ohms	4	-	(650079-53)	(650079-53)	(650079-53)	(650079-53)
R65-72	Resistor, Carbon Film 1/4W, 150Ohms	8	-	-	(650079-53)	(650079-53)	(650079-53)
R33-40	Resistor, Carbon Film 1/4W, 150Ohms	8	-	-	-	(650079-53)	(650079-53)
R41-48	Resistor, Carbon Film 1/4W, 150Ohms	8	-	-	-	-	(650079-53)
R25-31	Resistor, Carbon Film 1/4W 470Ohms	7	(650079-65)	(650079-65)	(650079-65)	(650079-65)	(650079-65)
R17, 95	Resistor, Carbon Film, 1/4W, 1KOhm	2	(650079-73)	(650079-73)	(650079-73)	(650079-73)	(650079-73)
R76	Resistor, Carbon Film, 1/4W, 2KOhms	1	(650079-80)	(650079-80)	(650079-80)	(650079-80)	(650079-80)
R2	Resistor, Carbon Film, 1/4W 3.3KOhms	1	(650079-85)	(650079-85)	(650079-85)	(650079-85)	(650079-85)
R88-90 R84, 87 R20-22	Resistor, Carbon Film, 1/4W, 4.7KOhms	8	650079-89	650079-89	650079-89	650079-89	650079-89
R92	Resistor, Carbon Film, 1/4W, 8.2KOhms	1	(650079-95)	(650079-95)	(650079-95)	(650079-95)	(650079-95)
R19, 91	Resistor, Carbon Film, 1/4W, 10Kohms	2	(650079-97)	(650079-97)	(650079-97)	(650079-97)	(650079-97)
R83, 86 R18, 80	Resistor, Carbon Film, 1/4W, 47KOhms	4	(650080-14)	(650080-14)	(650080-14)	(650080-14)	(650080-14)
R94 R82, 93, R43, 81 R4-16	Resistor, Carbon Film, 1/4W 100Kohms	18	(650080-22)	(650080-22)	(650080-22)	(650080-22)	(650080-22)
R96, 97 R74, 75 R3	Resistor, Carbon Film, 1/4W, 220KOhms	5	(650080-30)	(650080-30)	(650080-30)	(650080-30)	(650080-30)
C20, 24 C16, 17 C10, 14 C3, 8, 9	Capacitor, Ceramic Axial .1uF, 50V	9	(650085-55)	(650085-55)	(650085-55)	(650085-55)	(650085-55)

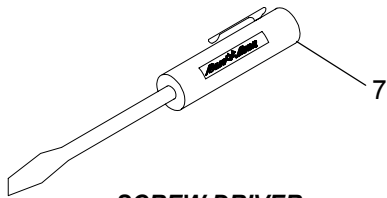
Note: Part Numbers enclosed in brackets ( ) are not available individually, but may be sold in assemblies or kits.

IESP12SATLS/ IESP16SATLS/ IESP24SATLS/ IESP32SATLS/ IESP40SATLS  
(LINK, STAINLESS STEEL PEDESTAL, INTERNATIONAL, 240 VOLT, 50 Hz)

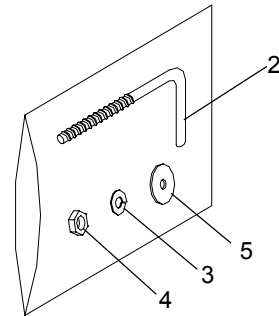
Ref.	Description	Qty.	12	16	24	32	40
<b>PWB ASSY ESP-MC ESC-1 CONTROLLER, CONT.</b>							
C21	Capacitor, Ceramic Axial .1uF, 50V	1	(650085-55)	(650085-55)	(650085-55)	(650085-55)	(650085-55)
C22	Capacitor, Ceramic Axial .1uF, 50V	1	-	-	(650085-55)	(650085-55)	(650085-55)
C18	Capacitor, Ceramic Axial .1uF, 50V	1	-	-	-	(650085-55)	(650085-55)
C19	Capacitor, Ceramic Axial .1uF, 50V	1	-	-	-	-	(650085-55)
U2	Rivet, Blind Dome HD. .125Dia	1	(650139-05)	(650139-05)	(650139-05)	(650139-05)	(650139-05)
R78,79	Resistor, Carbon Film, 1/2W, 1KOhms	2	(650202-73)	(650202-73)	(650202-73)	(650202-73)	(650202-73)
L1-7	Inductor, Ferrite Bead	7	650300-05	650300-05	650300-05	650300-05	650300-05
U3	IC Quad OP Amp	1	650358	650358	650358	650358	650358
Q3,4	Transistor, NPN, 624mW	2	650367	650367	650367	650367	650367
Q1,2	Transistor, PNP	2	650369	650369	650369	650369	650369
Y2	Crystal, Quartz 32.768KHz	1	(650484)	(650484)	(650484)	(650484)	(650484)
TS1	Transient Suppressor 6.8V	1	(650595-01)	(650595-01)	(650595-01)	(650595-01)	(650595-01)
C5	Capacitor, Electrolytic, Axial 330uF, 25V	1	(650624)	(650624)	(650624)	(650624)	(650624)
U4	3-8 Line Decoder	1	650699	650699	650699	650699	650699
S2,3,4 S5,6	Switch, Pushbutton	5	(650748)	(650748)	(650748)	(650748)	(650748)
C23,25 C1,2,11	Capacitor, ceramic Axial .01uF, 100V	5	(650882-01)	(650882-01)	(650882-01)	(650882-01)	(650882-01)
C6	Capacitor, NPO, Axial 10pF, 100V	1	(650883-13)	(650883-13)	(650883-13)	(650883-13)	(650883-13)
C26	Capacitor, NPO, Axial 220pF, 100V	1	(650883-17)	(650883-17)	(650883-17)	(650883-17)	(650883-17)
U5,8	8Bit Addressable Latch	2	650889	650889	650889	650889	650889
U9	8Bit Addressable Latch	1	650889	650889	650889	650889	650889
U10	8Bit Addressable Latch	1	-	-	650889	650889	650889
U6	8Bit Addressable Latch	1	-	-	-	650889	650889
U7	8Bit Addressable Latch	1	-	-	-	-	650889
DS1-8	Led, red, .200Ctrs.	8	650910	650910	650910	650910	650910
U2	Regulator, Low Dropout	1	(650962)	(650962)	(650962)	(650962)	(650962)
J2	Eyelet, Spring	1	(650985)	(650985)	(650985)	(650985)	(650985)
J1	Header, Polzd. Radial, .100Ctrs 6Pins	1	(651005-06)	(651005-06)	(651005-06)	(651005-06)	(651005-06)
B1	Battery, Lithium	1	(651009)	(651009)	(651009)	(651009)	(651009)
B1	Holder, Battery Coin	1	(651010)	(651010)	(651010)	(651010)	(651010)
U11	IC, Real Time Clock	1	(651011)	(651011)	(651011)	(651011)	(651011)
U12	IC, EEPROM-4K Byte, Serial	1	(651012)	(651012)	(651012)	(651012)	(651012)
Y1	Resonator, ceramic 8.00MHz	1	(651013)	(651013)	(651013)	(651013)	(651013)
U13	IC, 8Bit Input Mux	1	(651014)	(651014)	(651014)	(651014)	(651014)
C4	Capacitor, Electrolytic, Axial 1000uF, 25V	1	(651054-12)	(651054-12)	(651054-12)	(651054-12)	(651054-12)
RPF1	Polyswitch, RXE, 60V, .65A	1	(651055-08)	(651055-08)	(651055-08)	(651055-08)	(651055-08)
S9	Switch Slide	1	(651292)	(651292)	(651292)	(651292)	(651292)

Note: Part Numbers enclosed in brackets ( ) are not available individually, but may be sold in assemblies or kits.

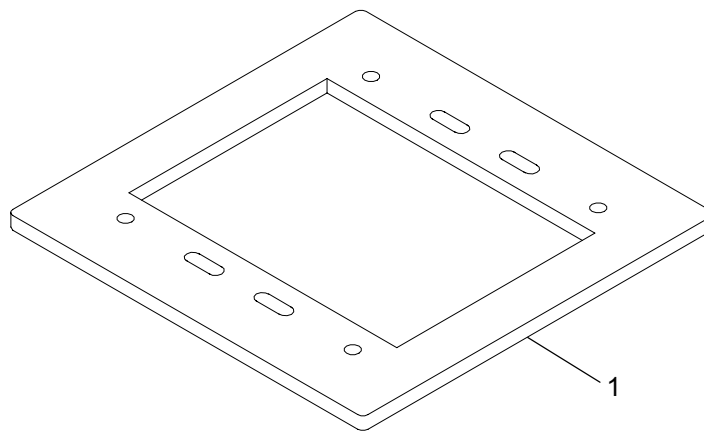
IESP12SATLS/ IESP16SATLS/ IESP24SATLS/ IESP32SATLS/ IESP40SATLS  
 (LINK, STAINLESS STEEL PEDESTAL, INTERNATIONAL, 240 VOLT, 50 Hz)



**SCREW DRIVER  
POCKET FLAT ASSY.**



**MOUNTING  
HARDWARE**



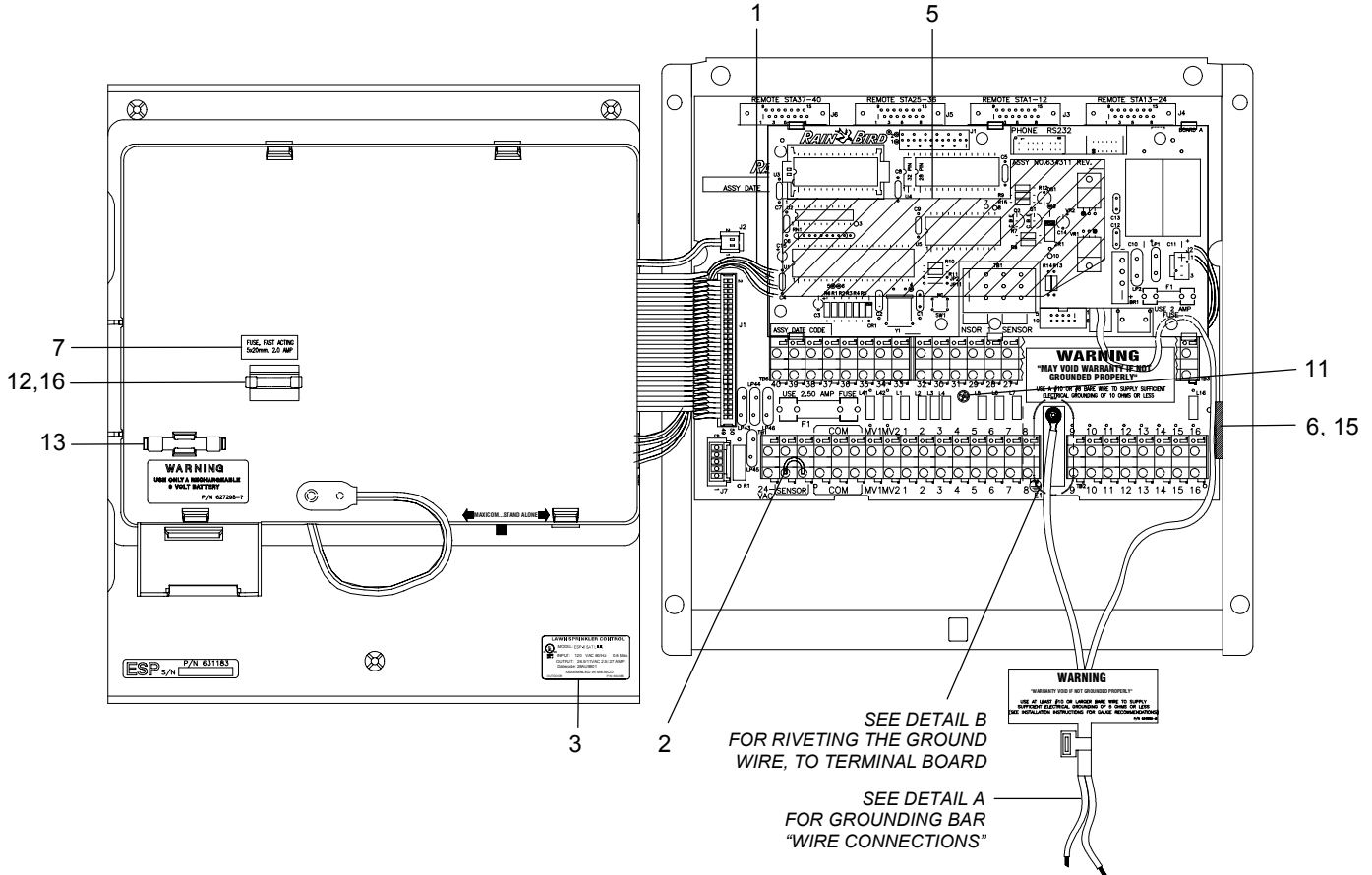
**TEMPLATE MOUNTING**

Ref.	Description	Qty.	12	16	24	32	40
<b>ACCESSORIES</b>							
-	Bag, Poly 6x8	2	(601846)	(601846)	(601846)	(601846)	(601846)
1	Template Mounting Plastic	1	629602	629602	629602	629602	629602
-	Mounting Hardware						
2	Bolt Anchor	4	629557	629557	629557	629557	629557
3	Washer 5/16 Lock-Spring	4	(650029-07)	(650029-07)	(650029-07)	(650029-07)	(650029-07)
4	Nut, Hex 5/16	4	(650033-07)	(650033-07)	(650033-07)	(650033-07)	(650033-07)
5	Washer Flat 5/6 Type B	4	(650441)	(650441)	(650441)	(650441)	(650441)
-	Instructions, Installation & Oper	1	633686	633686	633686	633686	633686
-	Guide, Operations Addendum	1	(633942)	(633942)	(633942)	(633942)	(633942)
-	Grounding Int. Addendum Ss Cont	1	(635009)	(635009)	(635009)	(635009)	(635009)
6	Assy, Screw Driver Pocket Flat	1	(650810)	(650810)	(650810)	(650810)	(650810)
-	Label, Screw Driver	1	(635095)	(635095)	(635095)	(635095)	(635095)
-	Screw Driver Pocket Flat Blade	1	(651475)	(651475)	(651475)	(651475)	(651475)
-	Bag, Zip Lock, Plastic 2.5x3	1	(650924-01)	(650924-01)	(650924-01)	(650924-01)	(650924-01)
-	Battery, Nicad 7.2V	1	650929	650929	650929	650929	650929

Note: Part Numbers enclosed in brackets ( ) are not available individually, but may be sold in assemblies or kits.

ESP12SITER/ ESP16SITER/ ESP24SITER/ ESP32SITER/ ESP40SITER  
 (FOR STAINLESS STEEL PEDESTAL, 120 VOLT, 60 Hz)

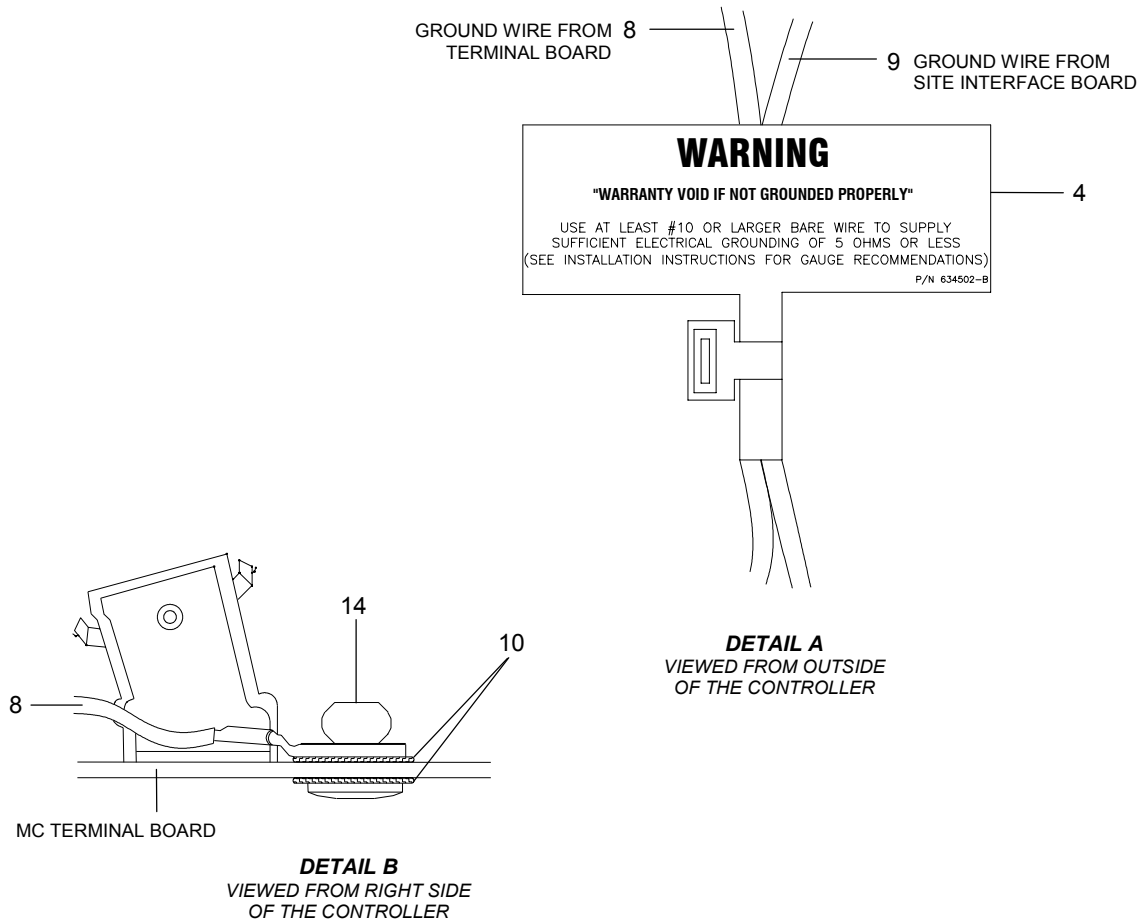
**BRACKET ASSEMBLY ESP-SAT RFK**



Ref.	Description	Qty.	12	16	24	32	40
<b>BRACKET ASSEMBLY ESP-SAT RFK</b>							
-	Spacer, Terminal Board	1	(634411-02)	(634411-03)	(634411-04)	(634411-05)	(634411-06)
1	Cable Assy, 2wire/link Intfc-mc	1	(633132)	(633132)	(633132)	(633132)	(633132)
2	Sensor Jumper Wire-esplx+	1	(633442)	(633442)	(633442)	(633442)	(633442)
-	Bracker, SS Ped, Retrofit-Epsat	1	(633744)	(633744)	(633744)	(633744)	(633744)
3	Label, Rating	1	(634385-15)	(634385-15)	(634385-15)	(634385-15)	(634385-15)
4	Label Warning Grounding	1	(634502)	(634502)	(634502)	(634502)	(634502)
5	Pwb Foam	1	(634532)	(634532)	(634532)	(634532)	(634532)
6	Label, Warning Corrosion Inhib	1	(634558)	(634558)	(634558)	(634558)	(634558)
7	Label, Fuse 2.0 Amp.	1	(634616)	(634616)	(634616)	(634616)	(634616)
8	Ground Wire Assy 12 Awg (11)	1	(634943-11)	(634943-11)	(634943-11)	(634943-11)	(634943-11)
9	Ground Wire Assy 12 Awg (19)	1	(634943-19)	(634943-19)	(634943-19)	(634943-19)	(634943-19)

Note: Part Numbers enclosed in brackets ( ) are not available individually, but may be sold in assemblies or kits.

ESP12SITER/ ESP16SITER/ ESP24SITER/ ESP32SITER/ ESP40SITER  
 (FOR STAINLESS STEEL PEDESTAL, 120 VOLT, 60 Hz)

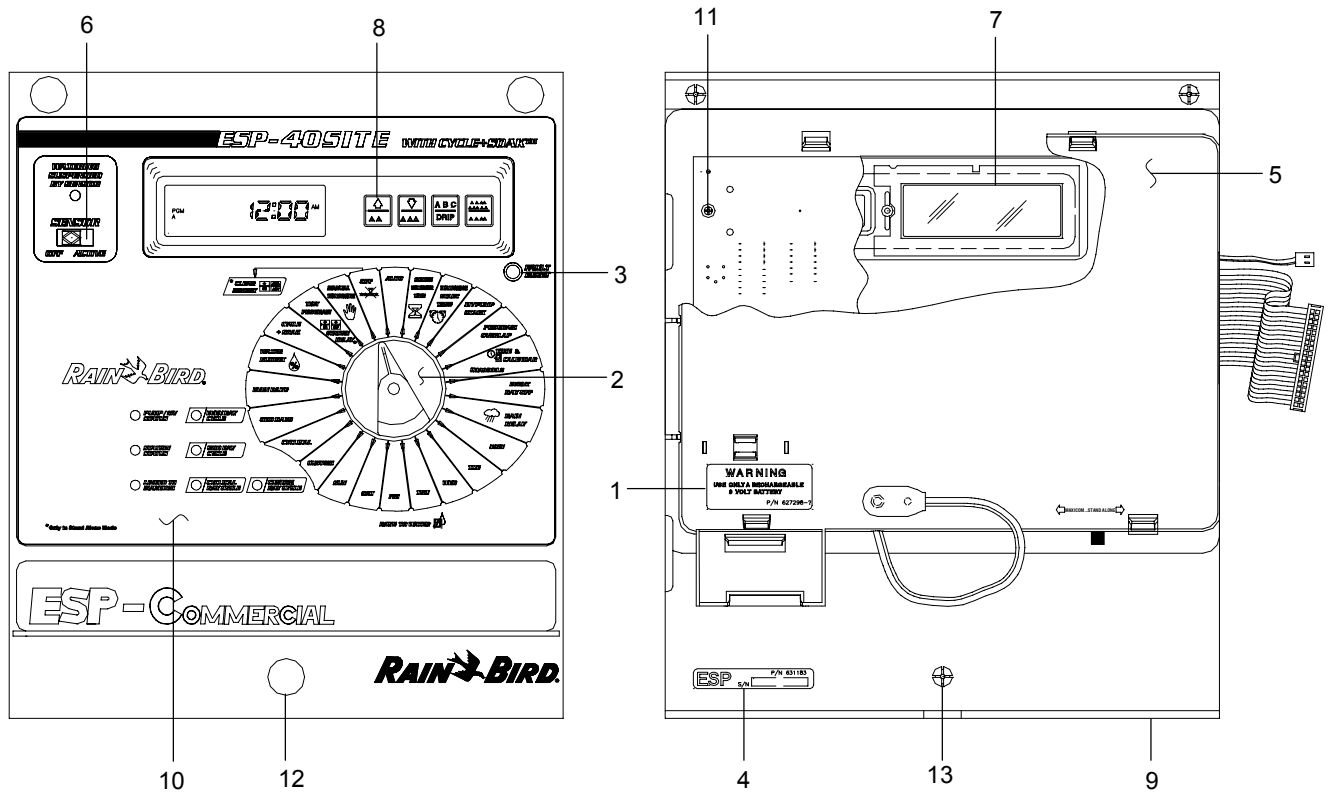


Ref.	Description	Qty.	12	16	24	32	40
<b>BRACKET ASSEMBLY ESP-SAT RFK, CONT.</b>							
-	Washer, Flat #10 .032	4	(650023-13)	(650023-13)	(650023-13)	(650023-13)	(650023-13)
-	Cable Tie, Nylon 7/8 Bundle	1	650131	650131	650131	650131	650131
10	Wshr Lk, #10, Ext-Tooth, Z-Pltd	4	(650162-04)	(650162-04)	(650162-04)	(650162-04)	(650162-04)
11	Screw Phl Pnh Hi-Lo 7-19x1/2	3	(650183-63)	(650183-63)	(650183-63)	(650183-63)	(650183-63)
12	Fuse 5x20MM 2Amps	1	(650307-03)	(650307-03)	(650307-03)	(650307-03)	(650307-03)
13	Fuse, SlowBlow, 250V, 2-1/2 Amp	1	(650431-28)	(650431-28)	(650431-28)	(650431-28)	(650431-28)
14	Rivet, Blind 0.19	6	(650434-13)	(650434-13)	(650434-13)	(650434-13)	(650434-13)
-	Spacer Circuit Brd. Edge Hold.	6	(650912-05)	(650912-05)	(650912-05)	(650912-05)	(650912-05)
-	Spacer Circuit Brd. Edge Hold.	6	(650912-08)	(650912-08)	(650912-08)	(650912-08)	(650912-08)
15	Impregnated Foam Corrosion Inh	1	(651331)	(651331)	(651331)	(651331)	(651331)
16	Holder Fuse	1	(651384)	(651384)	(651384)	(651384)	(651384)

Note: Part Numbers enclosed in brackets ( ) are not available individually, but may be sold in assemblies or kits.

ESP12SITER/ ESP16SITER/ ESP24SITER/ ESP32SITER/ ESP40SITER  
 (FOR STAINLESS STEEL PEDESTAL, 120 VOLT, 60 Hz)

FRONT PANEL ASSEMBLY

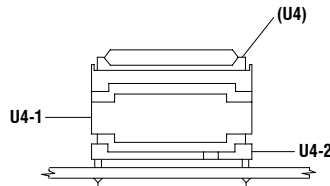
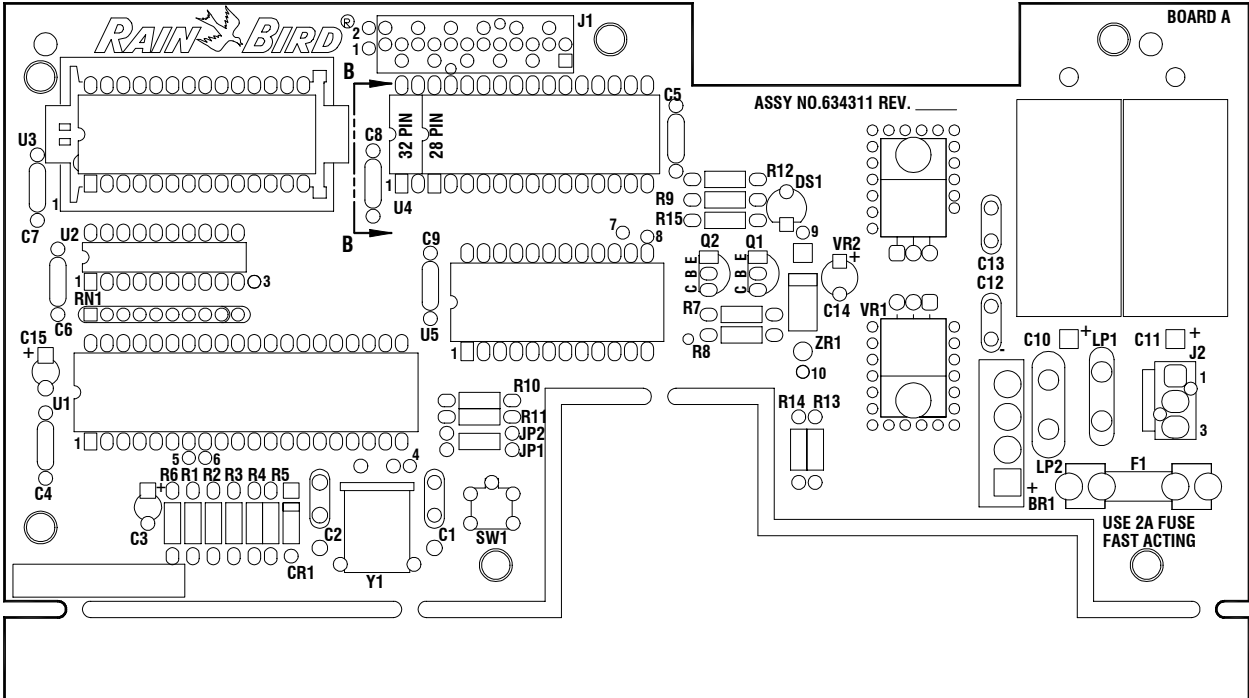


Ref.	Description	Qty.	12	16	24	32	40
<b>FRONT PANEL ASSEMBLY</b>			(634404-02)	(634404-03)	(634404-04)	(634404-05)	(634404-06)
1	Label Warning Cic 8/12	1	(627298)	(627298)	(627298)	(627298)	(627298)
2	Funct Select Knob Assy, Gray	1	630946	630946	630946	630946	630946
-	Esp Funct Select Knob, Gray	1	(630947)	(630947)	(630947)	(630947)	(630947)
-	Ring Compression	1	(650505-06)	(650505-06)	(650505-06)	(650505-06)	(650505-06)
3	Button, tm Pb Switch	1	(631136)	(631136)	(631136)	(631136)	(631136)
4	Label, Serial	1	(631183)	(631183)	(631183)	(631183)	(631183)
5	Cover, Pwb	1	(631920)	(631920)	(631920)	(631920)	(631920)
6	Swirch, Actuator-Paragon	1	(632510)	(632510)	(632510)	(632510)	(632510)
7	Lens, Lcd-Esp-C/Lx	1	632700	632700	632700	632700	632700
8	Keypad, Silicone	1	(632908)	(632908)	(632908)	(632908)	(632908)
9	Retro Kit, Assy, Frt Pnl-Esp-Sat	1	(633871)	(633871)	(633871)	(633871)	(633871)
-	Shield, Front Panel	1	(632897)	(632897)	(632897)	(632897)	(632897)
-	Front Panel Sub-Assy,P/Esp-St	1	(633810)	(633810)	(633810)	(633810)	(633810)
-	Front Panel	1	(631918)	(631918)	(631918)	(631918)	(631918)
10	Overlay Front Panel	1	(634401-02)	(634401-03)	(634401-04)	(634401-05)	(634401-06)
11	Screw, 4-24 x 5/16 Hi-Lo W/Wshr	5	(650563-23)	(650563-23)	(650563-23)	(650563-23)	(650563-23)
12	Lock, Plunger	3	(650927-02)	(650927-02)	(650927-02)	(650927-02)	(650927-02)
13	Lock, Grommet	3	(650928-02)	(650928-02)	(650928-02)	(650928-02)	(650928-02)

Note: Part Numbers enclosed in brackets ( ) are not available individually, but may be sold in assemblies or kits.

ESP12SITER/ ESP16SITER/ ESP24SITER/ ESP32SITER/ ESP40SITER  
 (FOR STAINLESS STEEL PEDESTAL, 120 VOLT, 60 Hz)

PWB ASSY ESP-SITE CONTROL UNIT



SECTION B-B

Ref.	Description	Qty.	12	16	24	32	40
<b>PWB ASSY ESP-SITE CONTROL UNIT</b>			(634311)	(634311)	(634311)	(634311)	(634311)
-	Label, Bar Code 39	1	(631356-01)	(631356-01)	(631356-01)	(631356-01)	(631356-01)
U4	IC, SRAM, 128K x 8, CMOS	1	632150	632150	632150	632150	632150
U4-1	IC, Clock/Battery Socket	1	632151	632151	632151	632151	632151
U3	IC, Prom Assy	1	(633614-57)	(633614-57)	(633614-57)	(633614-57)	(633614-57)
-	Printed Wiring Board	1	(634312)	(634312)	(634312)	(634312)	(634312)
C1,2	Capacitor, Ceramic, Disc 30pF, 50V	2	(650012-15)	(650012-15)	(650012-15)	(650012-15)	(650012-15)
C12,13	Capacitor, ceramic, Disc 0.1uF, 500V	2	650013-45	650013-45	650013-45	650013-45	650013-45
LP1,2	Mov 33V, 500A	2	650015	650015	650015	650015	650015

Note: Part Numbers enclosed in brackets ( ) are not available individually, but may be sold in assemblies or kits.

ESP12SITER/ ESP16SITER/ ESP24SITER/ ESP32SITER/ ESP40SITER  
(FOR STAINLESS STEEL PEDESTAL, 120 VOLT, 60 Hz)

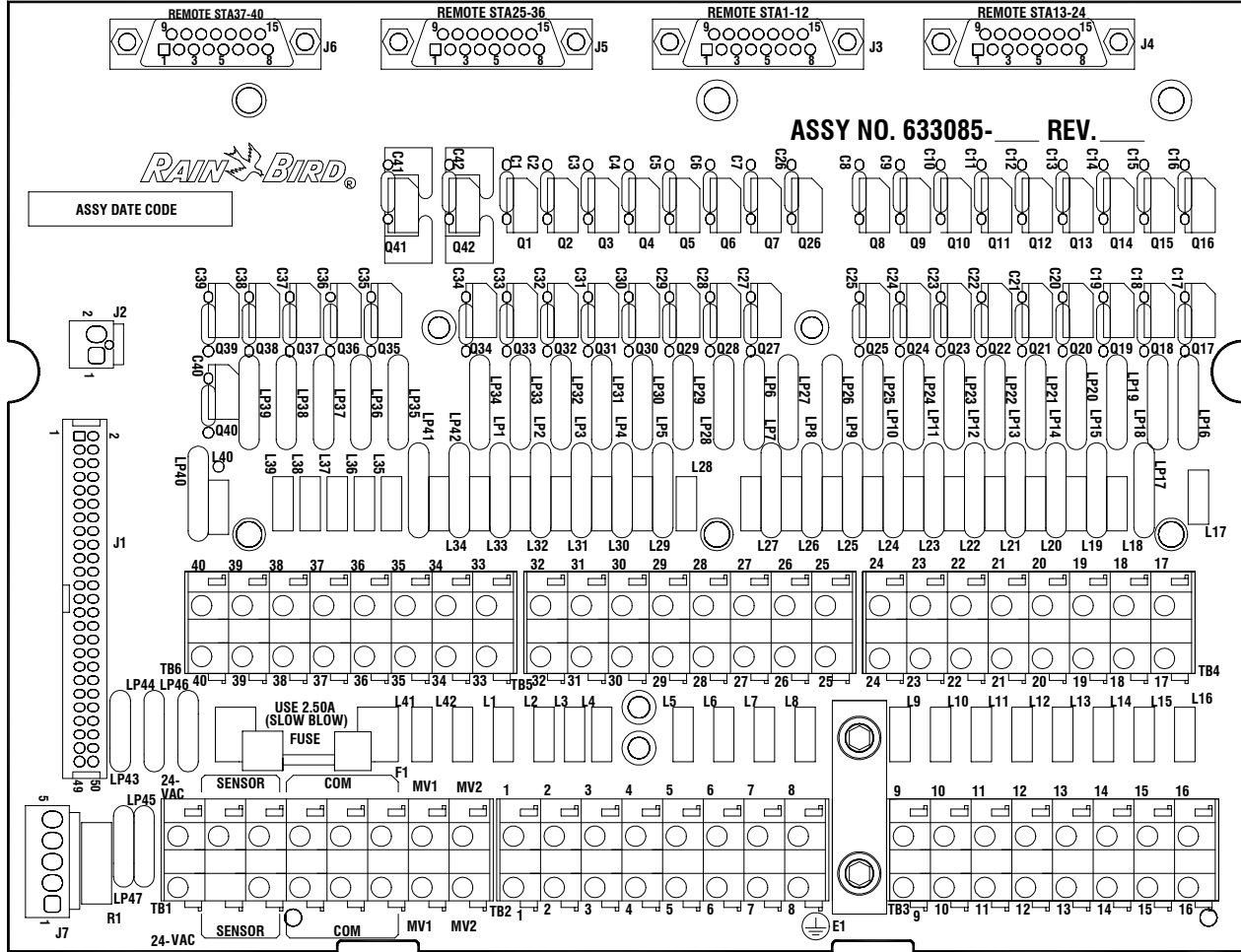
Ref.	Description	Qty.	12	16	24	32	40
<b>PWB ASSY ESP-SITE CONTROL UNIT, CONT.</b>							
CR1	Diode	1	650037-01	650037-01	650037-01	650037-01	650037-01
R9	Resistor, Carbon Film, 1/4W, 1K Ohms	1	(650079-73)	(650079-73)	(650079-73)	(650079-73)	(650079-73)
R1-4, 6-8, 10, 11, 15	Resistor, carbon Film, 1/4W, 10K Ohms	10	(650079-97)	(650079-97)	(650079-97)	(650079-97)	(650079-97)
R5, 12, R13, 14	Resistor, carbon Film, 1/4W, 100K Ohms	4	(650080-22)	(650080-22)	(650080-22)	(650080-22)	(650080-22)
Q1, 2	Transistor, NPN	2	650084	650084	650084	650084	650084
C4-9	Capacitor, ceramic, Axial 0.1uF, 50V	6	(650085-55)	(650085-55)	(650085-55)	(650085-55)	(650085-55)
-	Grease	.01	(650101)	(650101)	(650101)	(650101)	(650101)
-	Rivet, Blind, Dome-Head .125Dia	2	(650139-05)	(650139-05)	(650139-05)	(650139-05)	(650139-05)
F1	Fuse, Mini., .197 Dia	1	(650307-03)	(650307-03)	(650307-03)	(650307-03)	(650307-03)
F1	Minifuse, Clips., .197Dia	2	(650308)	(650308)	(650308)	(650308)	(650308)
VR2	Voltage Regulator, 7805, +5V	1	650332	650332	650332	650332	650332
Y1	Crystal, Quartz 3.600Mhz	1	650334	650334	650334	650334	650334
U3	Socket, PROM Carrier	1	650518-02	650518-02	650518-02	650518-02	650518-02
BR1	Bridge, Rectifier 4A, 200V	1	650581-03	650581-03	650581-03	650581-03	650581-03
C3, 15	Capacitor, Tantalum, Radial 10uF, 25V	2	(650583-07)	(650583-07)	(650583-07)	(650583-07)	(650583-07)
C14	Capacitor Tantalum, Radial	1	650583-09	650583-09	650583-09	650583-09	650583-09
U2	IC, Octal D-Type Latch	1	650611	650611	650611	650611	650611
U4-2	Socket, Dip, Low-Profile 32Pins	1	(650622-11)	(650622-11)	(650622-11)	(650622-11)	(650622-11)
Y1	Wire, 22awg, Auto-Inserted .450Lead	2	(650625-03)	(650625-03)	(650625-03)	(650625-03)	(650625-03)
ZR1	Transient Suppressor	1	650658-01	650658-01	650658-01	650658-01	650658-01
J2	Header, St. Sq., Pin, 3Pos	1	(650893-03)	(650893-03)	(650893-03)	(650893-03)	(650893-03)
DS1	Led, Clear red, Superbright	1	650910	650910	650910	650910	650910
C10, 11	Capacitor, Electrl, Axial, 3300uF, 25V	2	(650954)	(650954)	(650954)	(650954)	(650954)
U1	IC, Microcontroller	1	651031	651031	651031	651031	651031
SW1	Switch, Tact Push	1	(651109)	(651109)	(651109)	(651109)	(651109)
U5	IC, I/O Expander	1	(651294)	(651294)	(651294)	(651294)	(651294)
J1	Box Connector Strip 12Pos	1	(651309-11)	(651309-11)	(651309-11)	(651309-11)	(651309-11)
RN1	Resistor, Network, 9Pins 10K Ohms	1	(651310)	(651310)	(651310)	(651310)	(651310)
VR1	Voltage Regulator, 7812 +12V, 1A	1	(651352)	(651352)	(651352)	(651352)	(651352)

Note: Part Numbers enclosed in brackets ( ) are not available individually, but may be sold in assemblies or kits.



ESP12SITER/ ESP16SITER/ ESP24SITER/ ESP32SITER/ ESP40SITER  
 (FOR STAINLESS STEEL PEDESTAL, 120 VOLT, 60 Hz)

PWB ASSY TERMINAL



Ref.	Description	Qty.	12	16	24	32	40
<b>PWB ASSY TERMINAL</b>			(633085-02)	(633085-03)	(633085-04)	(633085-05)	(633085-06)
LP45,47	Mov 56V, 1000A	2	624624	624624	624624	624624	624624
LP46	Mov 56V, 1000A	1	624624	624624	624624	624624	624624
-	Label bar code 39	1	(631356-01)	(631356-01)	(631356-01)	(631356-01)	(631356-01)
-	Printed Wiring Board	1	(633086)	(633086)	(633086)	(633086)	(633086)
-	Fuse clip	2	(650098)	(650098)	(650098)	(650098)	(650098)
-	Solder	.01	(650160)	(650160)	(650160)	(650160)	(650160)
L41,42 L1-8	Inductor Ferrite Bead	10	650300-05	650300-05	650300-05	650300-05	650300-05
L9-12	Inductor Ferrite Bead	4	650300-05	650300-05	650300-05	650300-05	650300-05
L13-16	Inductor Ferrite Bead	4	-	650300-05	650300-05	650300-05	650300-05
L9-12	Inductor Ferrite Bead	4	650300-05	650300-05	650300-05	650300-05	650300-05

Note: Part Numbers enclosed in brackets ( ) are not available individually, but may be sold in assemblies or kits.

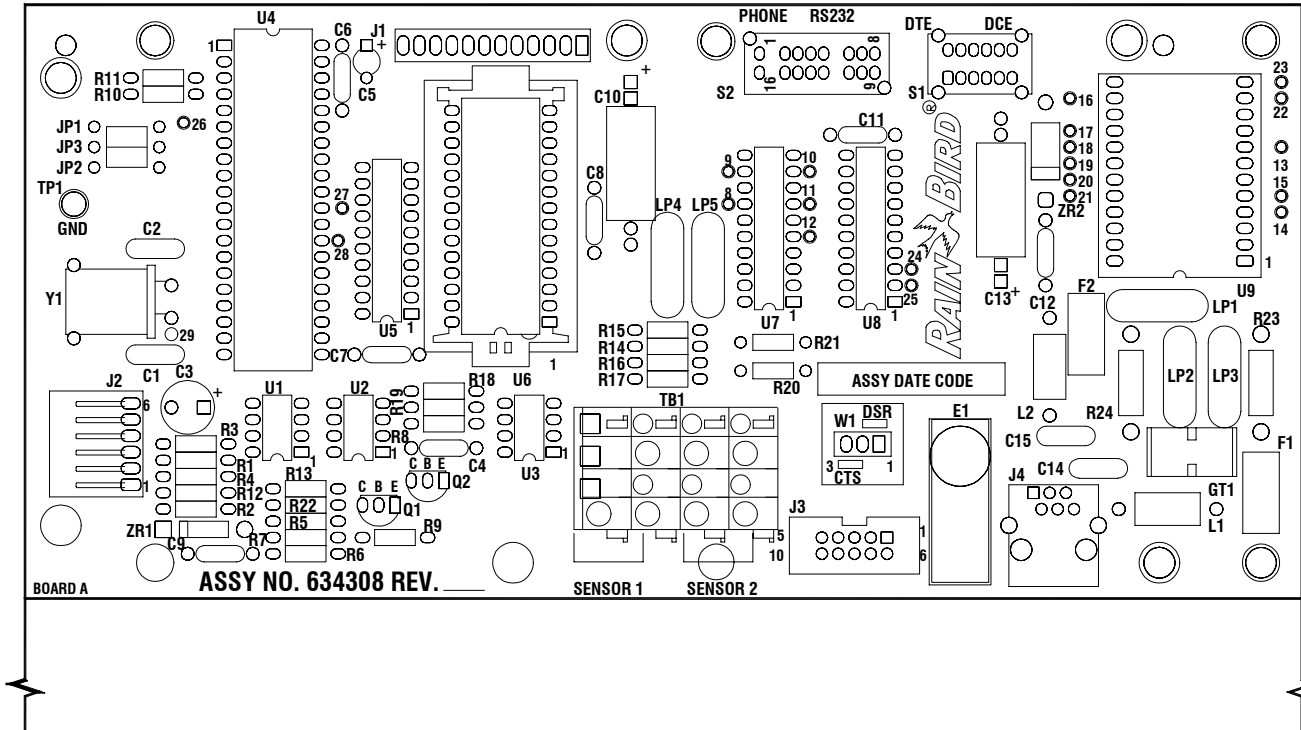
ESP12SITER/ ESP16SITER/ ESP24SITER/ ESP32SITER/ ESP40SITER  
(FOR STAINLESS STEEL PEDESTAL, 120 VOLT, 60 Hz)

Ref.	Description	Qty.	12	16	24	32	40
<b>PWB ASSY TERMINAL, CONT.</b>							
L13-16	Inductor Ferrite Bead	4	-	650300-05	650300-05	650300-05	650300-05
L17-24	Inductor Ferrite Bead	8	-	-	650300-05	650300-05	650300-05
L25-32	Inductor Ferrite Bead	8	-	-	-	650300-05	650300-05
L33-40	Inductor Ferrite Bead	8	-	-	-	-	650300-05
-	Fuse 2.5Amp	1	(650431-28)	(650431-28)	(650431-28)	(650431-28)	(650431-28)
J3	Connector, DB15S 15 Pins	1	(650610-06)	(650610-06)	(650610-06)	(650610-06)	(650610-06)
J4	Connector, DB15S 15 Pins	1	-	(650610-06)	(650610-06)	(650610-06)	(650610-06)
J5	Connector, DB15S 15 Pins	1	-	-	-	(650610-06)	(650610-06)
J6	Connector, DB15S 15 Pins	1	-	-	-	-	(650610-06)
J3	Jack Socket Kit	1	(650620)	(650620)	(650620)	(650620)	(650620)
J4	Jack Socket Kit	1	-	(650620)	(650620)	(650620)	(650620)
J5	Jack Socket Kit	1	-	-	-	(650620)	(650620)
J6	Jack Socket Kit	1	-	-	-	-	(650620)
R1	Resistor, 2% 2W 0.1Ohms	1	(650766-01)	(650766-01)	(650766-01)	(650766-01)	(650766-01)
LP1-8							
LP41,42	Mov 20MM 47V, 2000A	10	650796	650796	650796	650796	650796
LP9-12	Mov 20MM 47V, 2000A	4	650796	650796	650796	650796	650796
LP13-16	Mov 20MM 47V, 2000A	4	-	650796	650796	650796	650796
LP17-24	Mov 20MM 47V, 2000A	8	-	-	650796	650796	650796
LP25-32	Mov 20MM 47V, 2000A	8	-	-	-	650796	650796
LP33-40	Mov 20MM 47V, 2000A	8	-	-	-	-	650796
J1	Header, Polzd., .100Ctrs. 50Pins	1	(650872-50)	(650872-50)	(650872-50)	(650872-50)	(650872-50)
LP44	Mov 47V. 1000A	1	650875	650875	650875	650875	650875
C1-8 C41,42	Capacitor, Ceramic Axial .01uF,100V	10	(650882-01)	(650882-01)	(650882-01)	(650882-01)	(650882-01)
C9-12	Capacitor, Ceramic Axial .01uF,100V	4	(650882-01)	(650882-01)	(650882-01)	(650882-01)	(650882-01)
C13-16	Capacitor, Ceramic Axial .01uF,100V	4	-	(650882-01)	(650882-01)	(650882-01)	(650882-01)
C17-24	Capacitor, Ceramic Axial .01uF,100V	8	-	-	(650882-01)	(650882-01)	(650882-01)
C25-32	Capacitor, Ceramic Axial .01uF,100V	8	-	-	-	(650882-01)	(650882-01)
C33-40	Capacitor, Ceramic Axial .01uF,100V	8	-	-	-	-	(650882-01)
J2	Header, Polzd., .156Ctrs. 2Pins	1	(650893-02)	(650893-02)	(650893-02)	(650893-02)	(650893-02)
J7	Header, Polzd., .156Ctrs. 5Pins	1	(650893-05)	(650893-05)	(650893-05)	(650893-05)	(650893-05)
TB1,2	Terminal Blk. .300SPC 1Pos	16	(651000-01)	(651000-01)	(651000-01)	(651000-01)	(651000-01)
TB3	Terminal Blk. .300SPC 1Pos	8	(651000-01)	(651000-01)	(651000-01)	(651000-01)	(651000-01)
TB4	Terminal Blk. .300SPC 1Pos	8	-	-	(651000-01)	(651000-01)	(651000-01)
TB5	Terminal Blk. .300SPC 1Pos	8	-	-	-	(651000-01)	(651000-01)
TB6	Terminal Blk. .300SPC 1Pos	8	-	-	-	-	(651000-01)
Q1-8 Q41,42	Triac, 6Amps	10	651138	651138	651138	651138	651138
Q9-12	Triac, 6Amps	4	651138	651138	651138	651138	651138
Q13-16	Triac, 6Amps	4	-	651138	651138	651138	651138
Q17-24	Triac, 6Amps	8	-	-	651138	651138	651138
Q25-32	Triac, 6Amps	8	-	-	-	651138	651138
Q33-40	Triac, 6Amps	8	-	-	-	-	651138
LP43	Mov 50V, 2500A	1	(651272)	(651272)	(651272)	(651272)	(651272)

Note: Part Numbers enclosed in brackets ( ) are not available individually, but may be sold in assemblies or kits.

ESP12SITER/ ESP16SITER/ ESP24SITER/ ESP32SITER/ ESP40SITER  
 (FOR STAINLESS STEEL PEDESTAL, 120 VOLT, 60 Hz)

**PWB ASSY ESP-SITE INTERFACE & MODEM**



Ref.	Description	Qty.	12	16	24	32	40
<b>PWB ASSY ESP-SITE INTERFACE &amp; MODEM</b>			(634308)	(634308)	(634308)	(634308)	(634308)
LP1-3	Mov 230Vac,4500A	3	(630386)	(630386)	(630386)	(630386)	(630386)
-	Label. Bar Code 39	1	(631356-01)	(631356-01)	(631356-01)	(631356-01)	(631356-01)
U6	PROM Carrier Assy	1	633323-03	633323-03	633323-03	633323-03	633323-03
-	Printed Wiring board Fabrication	1	(634309)	(634309)	(634309)	(634309)	(634309)
C1,2	Capacitor Ceramic,Disc,30pF,50V	2	(650012-15)	(650012-15)	(650012-15)	(650012-15)	(650012-15)
LP4,5	Mov 33V,500A	2	650015	650015	650015	650015	650015
ZR1	Diode Zener, 5.1V	1	(650038-70)	(650038-70)	(650038-70)	(650038-70)	(650038-70)
C13	Capacitor, Electrl,Axial 100uF,10V	1	(650044-05)	(650044-05)	(650044-05)	(650044-05)	(650044-05)
R1	Resistor,Carbon Film,1/4W 100Ohms	1	650079-49	650079-49	650079-49	650079-49	650079-49
R3,13	Resistor,Carbon Film,1/4W 270Ohms	2	(650079-59)	(650079-59)	(650079-59)	(650079-59)	(650079-59)
R14-17	Resistor,Carbon Film,1/4W 1KOhm	4	(650079-73)	(650079-73)	(650079-73)	(650079-73)	(650079-73)
R2	Resistor,Carbon Film,1/4W 1.5KOhms	1	(650079-77)	(650079-77)	(650079-77)	(650079-77)	(650079-77)
R4,20, R21	Resistor,Carbon Film,1/4W 2KOhms	3	(650079-80)	(650079-80)	(650079-80)	(650079-80)	(650079-80)
R6,8,9, 18,19,22	Resistor,Carbon Film, 1/4W 4.7KOhms	6	650079-89	650079-89	650079-89	650079-89	650079-89

Note: Part Numbers enclosed in brackets ( ) are not available individually, but may be sold in assemblies or kits.

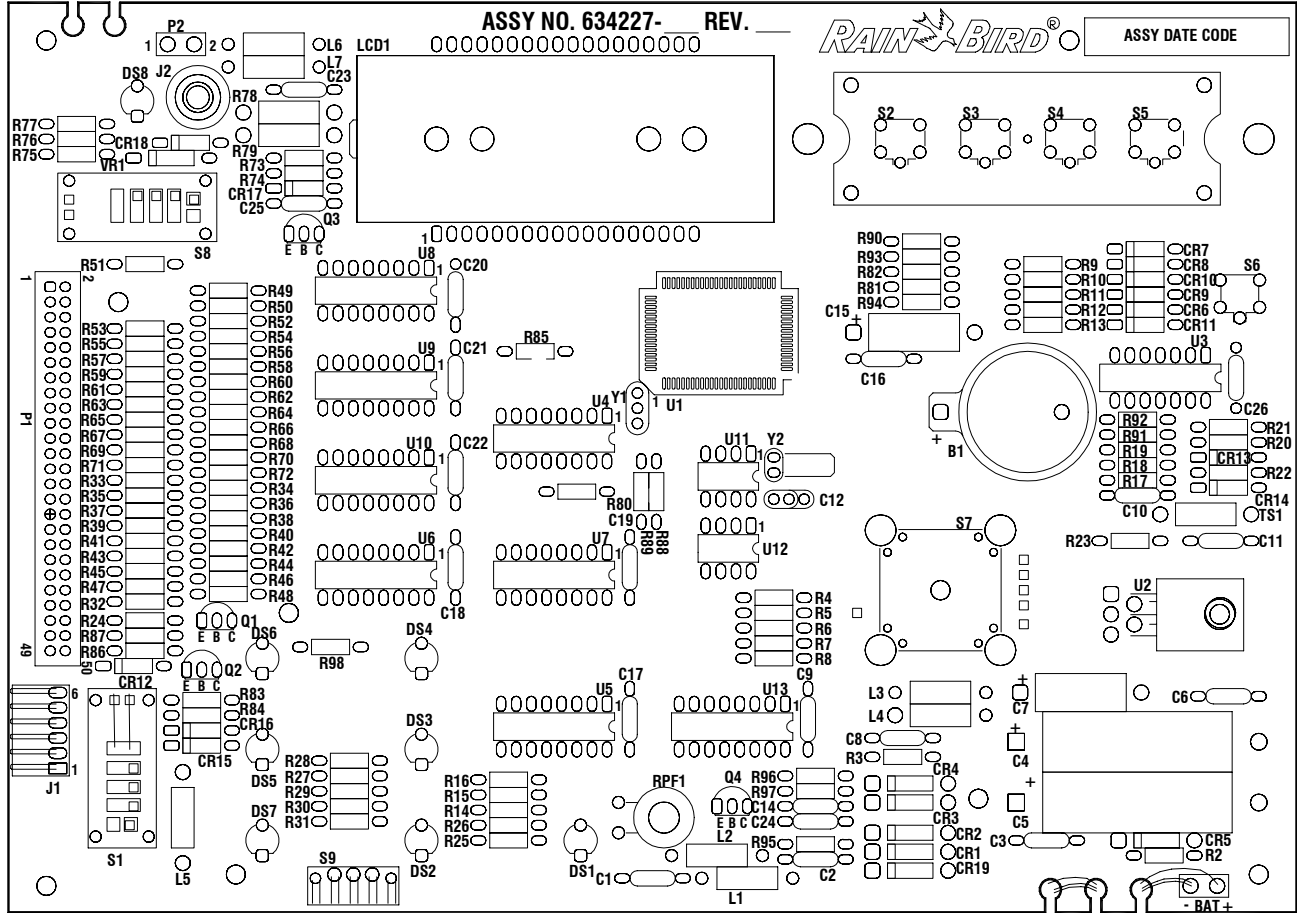
ESP12SITER/ ESP16SITER/ ESP24SITER/ ESP32SITER/ ESP40SITER  
(FOR STAINLESS STEEL PEDESTAL, 120 VOLT, 60 Hz)

Ref.	Description	Qty.	12	16	24	32	40
<b>PWB ASSY ESP-SITE INTERFACE &amp; MODEM, CONT.</b>							
R12	Resistor, Carbon Film, 1/4W 10KOhms	1	(650079-97)	(650079-97)	(650079-97)	(650079-97)	(650079-97)
R5,7,10,R11	Resistor, Carbon Film, 1/4W 47K Ohms	4	(650080-14)	(650080-14)	(650080-14)	(650080-14)	(650080-14)
C10	Capacitor, Electrl, Axial 10uF, 16V	1	(650083-01)	(650083-01)	(650083-01)	(650083-01)	(650083-01)
C4, 12	Capacitor, Ceramic, Axial .01uF, 50V	2	650085-31	650085-31	650085-31	650085-31	650085-31
C6-9, 11	Capacitor, Ceramic Axial 0.1uF, 50V	5	(650085-55)	(650085-55)	(650085-55)	(650085-55)	(650085-55)
TP1	Test Point, PC Mount	1	(650336-01)	(650336-01)	(650336-01)	(650336-01)	(650336-01)
Q1,2	TransistormPNP	2	650369	650369	650369	650369	650369
W1	Plug, Shorting	1	(650417)	(650417)	(650417)	(650417)	(650417)
U1,2,3	IC, Opto-Coupler	3	650445	650445	650445	650445	650445
W1	Header, .100Ctrs 3Pins	1	(650454-03)	(650454-03)	(650454-03)	(650454-03)	(650454-03)
L1,2	Inductor Ferrite Bead Lead	2	(650509)	(650509)	(650509)	(650509)	(650509)
C14, 15	Capacitor, Ceramic, Radial .005uF, 1KV	2	(650516)	(650516)	(650516)	(650516)	(650516)
U6	Socket, PROM Carrier	1	650518-02	650518-02	650518-02	650518-02	650518-02
U8	IC, RS-232 Driver/Receiver	1	650559	650559	650559	650559	650559
C5	Capacitor, Tantalum, Radial 2.2uF, 25V	1	650583-03	650583-03	650583-03	650583-03	650583-03
C3	Capacitor, Tantalum, Radial 22uF, 25V	1	650583-09	650583-09	650583-09	650583-09	650583-09
S1	Switch, Slide, 4PDT	1	650609	650609	650609	650609	650609
U5	IC, Octal D-Type Latch	1	650611	650611	650611	650611	650611
Y1	Wire, 22Awg, Auto-Inserted .450Lead SP	.55	(650625-03)	(650625-03)	(650625-03)	(650625-03)	(650625-03)
ZR2	Transient Supresor	1	650658-01	650658-01	650658-01	650658-01	650658-01
Y1	Crystal, Quartz 11.059 MHz	1	650721	650721	650721	650721	650721
J3	Header, Low Profile 1- Pos	1	(650872-10)	(650872-10)	(650872-10)	(650872-10)	(650872-10)
TB1	Terminal Block, .300LD SP	4	(651000-01)	(651000-01)	(651000-01)	(651000-01)	(651000-01)
U7	IC, Noninverting Buffer	1	(651001)	(651001)	(651001)	(651001)	(651001)
U9	IC, Modem Module	1	(651002)	(651002)	(651002)	(651002)	(651002)
S2	Switch, Slide, 4P3T	1	(651003)	(651003)	(651003)	(651003)	(651003)
J2	Header, Polzd, Right Angle .098Ctrs	1	(651005-06)	(651005-06)	(651005-06)	(651005-06)	(651005-06)
U4	IC, Microcontroller	1	651031	651031	651031	651031	651031
J1	Board Spacerm .025" Sq.	1	(651308-11)	(651308-11)	(651308-11)	(651308-11)	(651308-11)
J4	Connector, Modular Jask, Low Prof.	1	(651317)	(651317)	(651317)	(651317)	(651317)
F1,2	Polyswitch, Series TR600	2	(651318)	(651318)	(651318)	(651318)	(651318)
R23, 24	Resistor, Power metal Film	2	(651322)	(651322)	(651322)	(651322)	(651322)
GT1	Protector, Surge, Spark Gap	1	(651427)	(651427)	(651427)	(651427)	(651427)

Note: Part Numbers enclosed in brackets ( ) are not available individually, but may be sold in assemblies or kits.

ESP12SITER/ ESP16SITER/ ESP24SITER/ ESP32SITER/ ESP40SITER  
 (FOR STAINLESS STEEL PEDESTAL, 120 VOLT, 60 Hz)

**PWB ASSY ESP-MC ESC-1 CONTROLLER**



Ref.	Description	Qty.	12	16	24	32	40
<b>PWB ASSY ESP-MC ESC-1 CONTROLLER</b>			(634227-02)	(634227-03)	(634227-04)	(634227-05)	(634227-06)
S7	Switch Rotary	1	(630609)	(630609)	(630609)	(630609)	(630609)
S8	Switch, Slide	1	(630651)	(630651)	(630651)	(630651)	(630651)
-	Label, Bar Code 39	1	(631356-01)	(631356-01)	(631356-01)	(631356-01)	(631356-01)
LCD1	Spacer, LCD	1	(632046)	(632046)	(632046)	(632046)	(632046)
P2	Sensor Cable	1	(632048-01)	(632048-01)	(632048-01)	(632048-01)	(632048-01)
J2	Spring, Shield .70 Long	1	(632898-01)	(632898-01)	(632898-01)	(632898-01)	(632898-01)
LCD1	Liquid, Crystal Display	1	(633087)	(633087)	(633087)	(633087)	(633087)
U1	Microcomp., Toshiba, OTP	1	(633088)	(633088)	(633088)	(633088)	(633088)
P1	Ribbon Cable Assy 50Ckts	1	(633090)	(633090)	(633090)	(633090)	(633090)
-	Printed Wiring Board	1	(634228)	(634228)	(634228)	(634228)	(634228)
C12	Capacitor, ceramic radial 6pF, 50V	1	(650012-04)	(650012-04)	(650012-04)	(650012-04)	(650012-04)
U2	Washer, Flat, carbon Steel	1	(650023-03)	(650023-03)	(650023-03)	(650023-03)	(650023-03)

Note: Part Numbers enclosed in brackets ( ) are not available individually, but may be sold in assemblies or kits.

ESP12SITER/ ESP16SITER/ ESP24SITER/ ESP32SITER/ ESP40SITER  
(FOR STAINLESS STEEL PEDESTAL, 120 VOLT, 60 Hz)

Ref.	Description	Qty.	12	16	24	32	40
<b>PWB ASSY ESP-MC ESC-1 CONTROLLER, CONT.</b>							
CR6	Diode, Switching	1	650037-01	650037-01	650037-01	650037-01	650037-01
CR7	Diode, Switching	1	650037-01	-	650037-01	-	650037-01
CR8	Diode, Switching	1	-	650037-01	650037-01	-	-
CR9	Diode, Switching	1	-	-	-	650037-01	650037-01
CR11-18	Diode, Switching	8	650037-01	650037-01	650037-01	650037-01	650037-01
VR1	Diode, Zener, 500mW, 5.6V	1	(650038-71)	(650038-71)	(650038-71)	(650038-71)	(650038-71)
C7, 15	Capacitor, Electrolytic, Axial 47uF, 10V	2	(650044-03)	(650044-03)	(650044-03)	(650044-03)	(650044-03)
BAT	Battery Snap 9V	1	650075	650075	650075	650075	650075
CR1-5 C19	Diode, Gen Purpose, 1Amp	6	650077-02	650077-02	650077-02	650077-02	650077-02
R23, 85 R98	Resistor, Carbon Film, 1/4W, 10Ohms	2	(650079-25)	(650079-25)	(650079-25)	(650079-25)	(650079-25)
R49-56 R24, 32,	Resistor, Carbon Film 1/4W, 150Ohms	11	(650079-53)	(650079-53)	(650079-53)	(650079-53)	(650079-53)
R57-60	Resistor, Carbon Film 1/4W, 150Ohms	4	(650079-53)	(650079-53)	(650079-53)	(650079-53)	(650079-53)
R61-64	Resistor, Carbon Film 1/4W, 150Ohms	4	-	(650079-53)	(650079-53)	(650079-53)	(650079-53)
R65-72	Resistor, Carbon Film 1/4W, 150Ohms	8	-	-	(650079-53)	(650079-53)	(650079-53)
R33-40	Resistor, Carbon Film 1/4W, 150Ohms	8	-	-	-	(650079-53)	(650079-53)
R41-48	Resistor, Carbon Film 1/4W, 150Ohms	8	-	-	-	-	(650079-53)
R25-31	Resistor, Carbon Film 1/4W 470Ohms	7	(650079-65)	(650079-65)	(650079-65)	(650079-65)	(650079-65)
R17, 95	Resistor, Carbon Film, 1/4W, 1KOhm	2	(650079-73)	(650079-73)	(650079-73)	(650079-73)	(650079-73)
R76	Resistor, Carbon Film, 1/4W, 2KOhms	1	(650079-80)	(650079-80)	(650079-80)	(650079-80)	(650079-80)
R2	Resistor, Carbon Film, 1/4W 3.3KOhms	1	(650079-85)	(650079-85)	(650079-85)	(650079-85)	(650079-85)
R88-90 R84, 87 R20-22	Resistor, Carbon Film, 1/4W, 4.7KOhms	8	650079-89	650079-89	650079-89	650079-89	650079-89
R92	Resistor, Carbon Film, 1/4W, 8.2KOhms	1	(650079-95)	(650079-95)	(650079-95)	(650079-95)	(650079-95)
R19, 91	Resistor, Carbon Film, 1/4W, 10Kohms	2	(650079-97)	(650079-97)	(650079-97)	(650079-97)	(650079-97)
R83, 86 R18, 80 R94	Resistor, Carbon Film, 1/4W, 47KOhms	4	(650080-14)	(650080-14)	(650080-14)	(650080-14)	(650080-14)
R82, 93, R43, 81 R4-16	Resistor, Carbon Film, 1/4W 100Kohms	18	(650080-22)	(650080-22)	(650080-22)	(650080-22)	(650080-22)
R96, 97 R74, 75 R3	Resistor, Carbon Film, 1/4W, 220KOhms	5	(650080-30)	(650080-30)	(650080-30)	(650080-30)	(650080-30)
C20, 24 C16, 17 C10, 14 C3, 8, 9	Capacitor, Ceramic Axial .1uF, 50V	9	(650085-55)	(650085-55)	(650085-55)	(650085-55)	(650085-55)

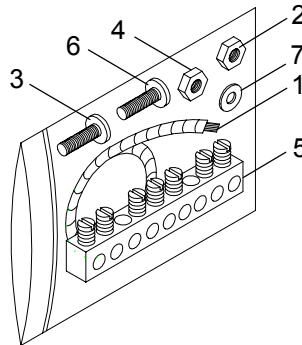
Note: Part Numbers enclosed in brackets ( ) are not available individually, but may be sold in assemblies or kits.

ESP12SITER/ ESP16SITER/ ESP24SITER/ ESP32SITER/ ESP40SITER  
(FOR STAINLESS STEEL PEDESTAL, 120 VOLT, 60 Hz)

Ref.	Description	Qty.	12	16	24	32	40
<b>PWB ASSYESP-MC ESC-1 CONTROLLER, CONT.</b>							
C21	Capacitor,Ceramic Axial .1uF,50V	1	(650085-55)	(650085-55)	(650085-55)	(650085-55)	(650085-55)
C22	Capacitor,Ceramic Axial .1uF,50V	1	-	-	(650085-55)	(650085-55)	(650085-55)
C18	Capacitor,Ceramic Axial .1uF,50V	1	-	-	-	(650085-55)	(650085-55)
C19	Capacitor,Ceramic Axial .1uF,50V	1	-	-	-	-	(650085-55)
U2	Rivet,Blind Dome HD. .125Dia	1	(650139-05)	(650139-05)	(650139-05)	(650139-05)	(650139-05)
R78,79	Resistor,Carbon Film,1/2W,1KOhms	2	(650202-73)	(650202-73)	(650202-73)	(650202-73)	(650202-73)
L1-7	Inductor,Ferrite Bead	7	650300-05	650300-05	650300-05	650300-05	650300-05
U3	IC Quad OP Amp	1	650358	650358	650358	650358	650358
Q3,4	Transistor,NPN, 624mW	2	650367	650367	650367	650367	650367
Q1,2	Transistor,PNP	2	650369	650369	650369	650369	650369
Y2	Crystal,Quartz 32.768KHz	1	(650484)	(650484)	(650484)	(650484)	(650484)
TS1	Transient Suppressor 6.8V	1	(650595-01)	(650595-01)	(650595-01)	(650595-01)	(650595-01)
C5	Capacitor,Electrolyt,Axial 330uF,25V	1	(650624)	(650624)	(650624)	(650624)	(650624)
U4	3-8 Line Decoder	1	650699	650699	650699	650699	650699
S2,3,4 S5,6	Switch, Pushbutton	5	(650748)	(650748)	(650748)	(650748)	(650748)
C23,25 C1,2,11	Capacitor,ceramic Axial .01uF,100V	5	(650882-01)	(650882-01)	(650882-01)	(650882-01)	(650882-01)
C6	Capacitor,NPO,Axial 10pF,100V	1	(650883-13)	(650883-13)	(650883-13)	(650883-13)	(650883-13)
C26	Capacitor,NPO,Axial 220pF,100V	1	(650883-17)	(650883-17)	(650883-17)	(650883-17)	(650883-17)
U5,8	8Bit Addressable Latch	2	650889	650889	650889	650889	650889
U9	8Bit Addressable Latch	1	650889	650889	650889	650889	650889
U10	8Bit Addressable Latch	1	-	-	650889	650889	650889
U6	8Bit Addressable Latch	1	-	-	-	650889	650889
U7	8Bit Addressable Latch	1	-	-	-	-	650889
DS1-8	Led,red,.200Ctrs.	8	650910	650910	650910	650910	650910
U2	Regulator,Low Dropout	1	(650962)	(650962)	(650962)	(650962)	(650962)
J2	Eyelet, Spring	1	(650985)	(650985)	(650985)	(650985)	(650985)
J1	Header,Polzd.Radial,.100Ctrs 6Pins	1	(651005-06)	(651005-06)	(651005-06)	(651005-06)	(651005-06)
B1	Battery, Lithium	1	(651009)	(651009)	(651009)	(651009)	(651009)
B1	Holder,Battery Coin	1	(651010)	(651010)	(651010)	(651010)	(651010)
U11	IC,Real Time Clock	1	(651011)	(651011)	(651011)	(651011)	(651011)
U12	IC,EEPROM-4K Byte, Serial	1	(651012)	(651012)	(651012)	(651012)	(651012)
Y1	Resonator,ceramic 8.00MHz	1	(651013)	(651013)	(651013)	(651013)	(651013)
U13	IC,8Bit Input Mux	1	(651014)	(651014)	(651014)	(651014)	(651014)
C4	Capacitor,Electrolyt,Axial 1000uF,25V	1	(651054-12)	(651054-12)	(651054-12)	(651054-12)	(651054-12)
RPF1	Polyswitch,RXE,60V,.65A	1	(651055-08)	(651055-08)	(651055-08)	(651055-08)	(651055-08)
S9	Switch Slide	1	(651292)	(651292)	(651292)	(651292)	(651292)

Note: Part Numbers enclosed in brackets ( ) are not available individually, but may be sold in assemblies or kits.

ESP12SITER/ ESP16SITER/ ESP24SITER/ ESP32SITER/ ESP40SITER  
(FOR STAINLESS STEEL PEDESTAL, 120 VOLT, 60 Hz)



**BAR BUS MOUNTING KIT**

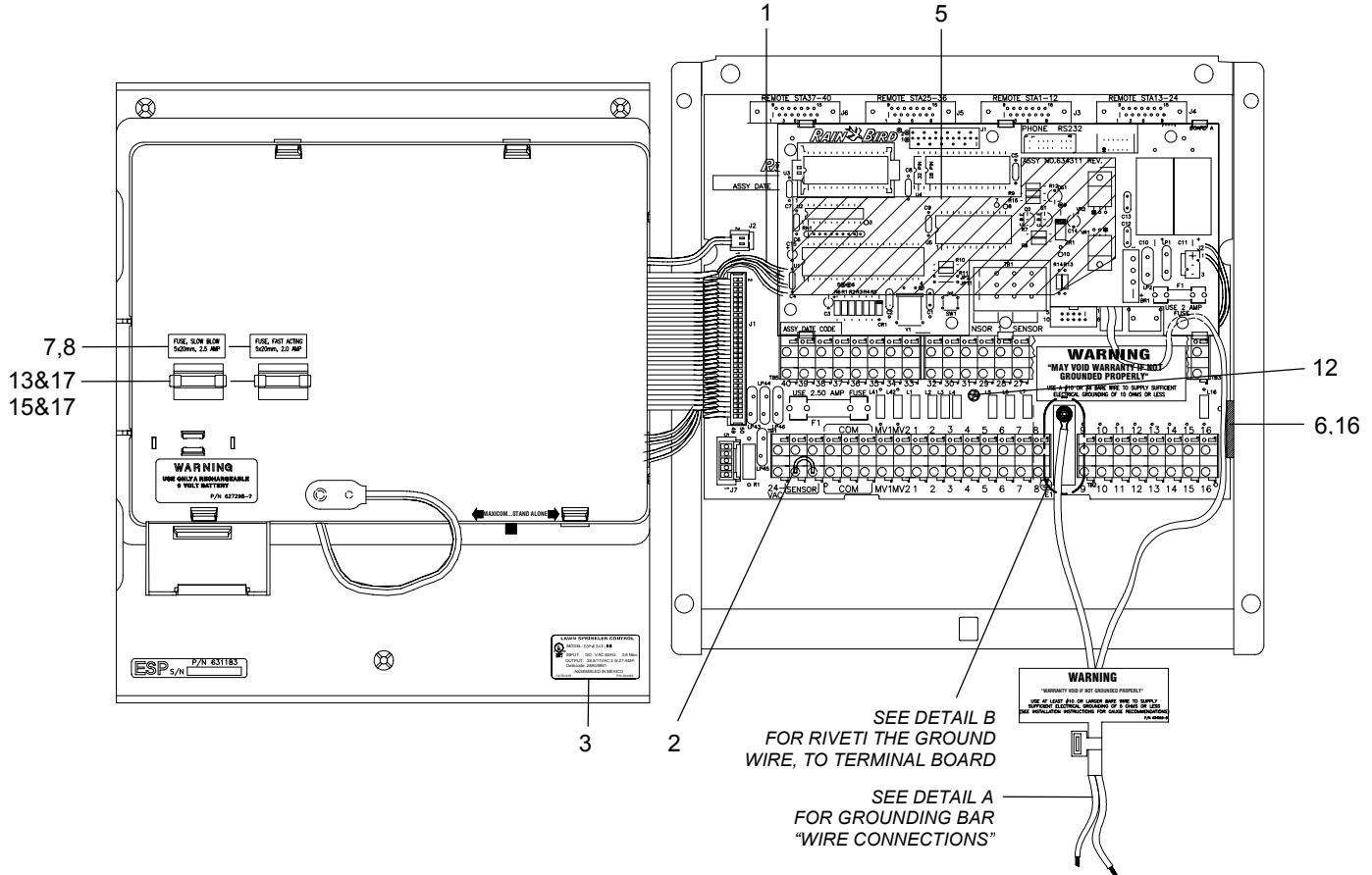
Ref.	Description	Qty.	12	16	24	32	40
<b>ACCESSORIES</b>							
-	Locknut Conduit	1	(628013)	(628013)	(628013)	(628013)	(628013)
-	Bag, Poly 4 x 5	2	(628282-06)	(628282-06)	(628282-06)	(628282-06)	(628282-06)
-	Card, Costumer Registration-Tm	1	(632354)	(632354)	(632354)	(632354)	(632354)
-	Xfmr Assy, Link, 120V	1	633165-01	633165-01	633165-01	633165-01	633165-01
-	Instructions, Instl&oper	1	633686	633686	633686	633686	633686
-	Instr, Instal & Oper, Span	1	(633696)	(633696)	(633696)	(633696)	(633696)
-	Bracket, Xfmr Esp-Sat Retro Ped	1	(633745)	(633745)	(633745)	(633745)	(633745)
-	Connector, Xfmr, Retrofit	1	(633748)	(633748)	(633748)	(633748)	(633748)
-	Instructions, Instal	1	(633819)	(633819)	(633819)	(633819)	(633819)
-	Sheet, Info, Retro Pilot	1	(633894)	(633894)	(633894)	(633894)	(633894)
-	Guide, Operations Addendum	1	(633942)	(633942)	(633942)	(633942)	(633942)
-	Cable Assy., Modem-Site	1	(634356)	(634356)	(634356)	(634356)	(634356)
-	Manual Addendum	1	(634482)	(634482)	(634482)	(634482)	(634482)
-	Manual Addendum, Spanish	1	(634618)	(634618)	(634618)	(634618)	(634618)
-	Bar, Bus Mounting Kit	1	(634986)	(634986)	(634986)	(634986)	(634986)
1	Ground Wire Assy 12 Awg (15)	1	(634943-15)	(634943-15)	(634943-15)	(634943-15)	(634943-15)
2	Nut, Pl, Hex, #8-32, Cres, Psvtd	4	(650033-04)	(650033-04)	(650033-04)	(650033-04)	(650033-04)
3	Screw 8-32	4	(650105-48)	(650105-48)	(650105-48)	(650105-48)	(650105-48)
4	Nut, #8-32 Hex W/Star Washer	4	(650634-04)	(650634-04)	(650634-04)	(650634-04)	(650634-04)
-	Bag, Zip Lock, Plastic, 2.5x3	1	(650924-03)	(650924-03)	(650924-03)	(650924-03)	(650924-03)
5	Bar Bus Grounding	2	(651440)	(651440)	(651440)	(651440)	(651440)
6	Screw, Rnd Hd Tamper Proof #8	2	(651457)	(651457)	(651457)	(651457)	(651457)
7	Washer, Ss With Neoprene #8	2	(651458)	(651458)	(651458)	(651458)	(651458)
-	Grounding Int. Addendum Ss Cont	1	(635009)	(635009)	(635009)	(635009)	(635009)
-	Washer, Flat #8 .032	4	(650023-10)	(650023-10)	(650023-10)	(650023-10)	(650023-10)
-	Screw, Mach, Phn, 8-32, 2 1/2 Cres	4	(650106-55)	(650106-55)	(650106-55)	(650106-55)	(650106-55)
-	Screw, Phh, Rnd, Wshr, Hd, Type B	4	650565-28	650565-28	650565-28	650565-28	650565-28
-	Nut, Speed, U-Tyoe, 6AB Thread	4	(650684)	(650684)	(650684)	(650684)	(650684)
-	Battery, Nicad 7.2 V	1	650929	650929	650929	650929	650929
-	Lock Washer, External Tooth	1	(651389)	(651389)	(651389)	(651389)	(651389)

Note: Part Numbers enclosed in brackets ( ) are not available individually, but may be sold in assemblies or kits.



IESP12SITER/ IESP16SITER/ IESP24SITER/ IESP32SITER/ IESP40SITER  
 (FOR STAINLESS STEEL PEDESTAL, INTERNATIONAL, 240 VOLT, 50 Hz)

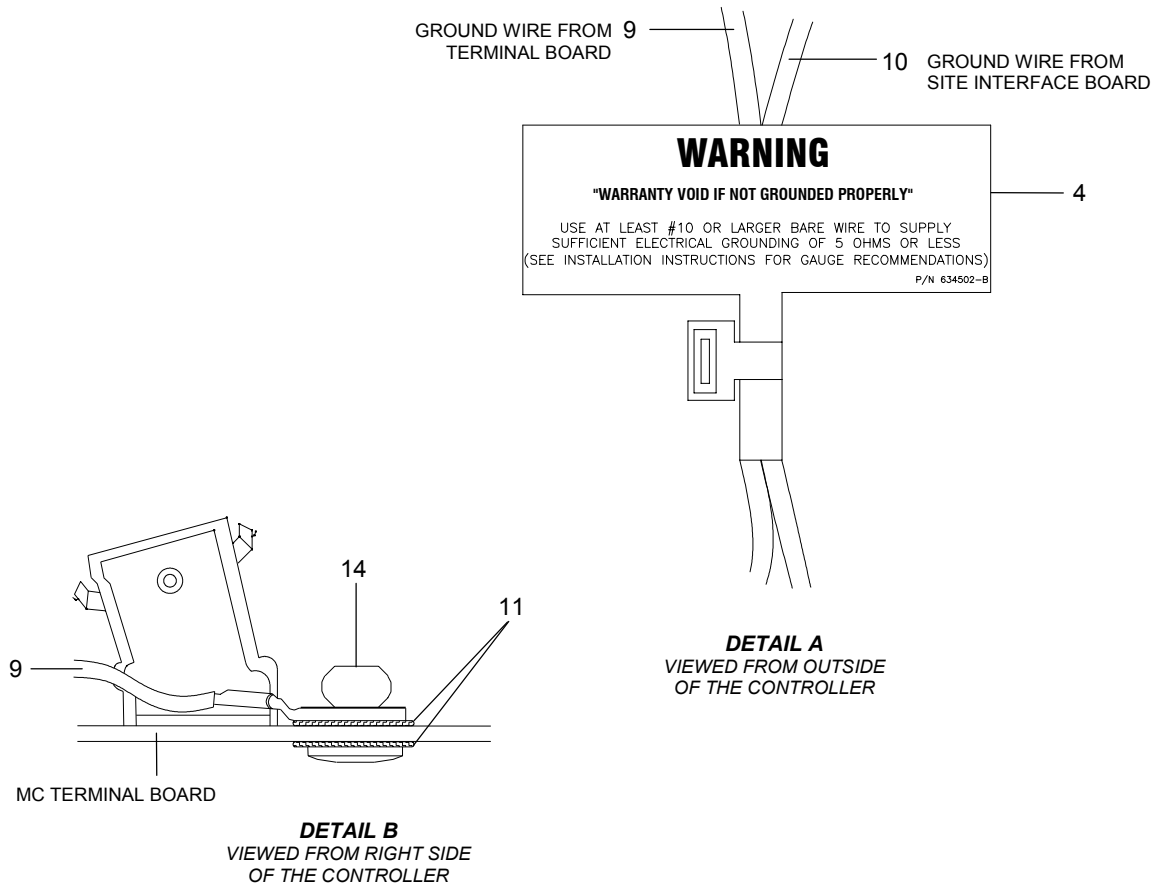
**BRACKET ASSEMBLY ESP-SAT RFK**



Ref.	Description	Qty.	12	16	24	32	40
<b>BRACKET ASSEMBLY ESP-SAT RFK</b>			(634411-08)	(634411-09)	(634411-10)	(634411-11)	(634411-12)
-	Spacer, Terminal Board	1	(631919)	(631919)	(631919)	(631919)	(631919)
1	Cable Assy, 2Wire/Link Intfc-Mc	1	(633132)	(633132)	(633132)	(633132)	(633132)
2	Sensor Jumper Wire	1	(633442)	(633442)	(633442)	(633442)	(633442)
-	Label, Cautions	1	(633657)	(633657)	(633657)	(633657)	(633657)
-	Bracket, Ss Ped, Retrofit	1	(633744)	(633744)	(633744)	(633744)	(633744)
3	Label, Rating	1	(634385-16)	(634385-16)	(634385-16)	(634385-16)	(634385-16)
4	Label Warning Grounding	1	(634502)	(634502)	(634502)	(634502)	(634502)
5	Pwb Foam	1	(634532)	(634532)	(634532)	(634532)	(634532)
6	Label, Warning Corrosion Inhib	1	(634558)	(634558)	(634558)	(634558)	(634558)
7	Label, Fuse 2.5 Amp	1	(634615)	(634615)	(634615)	(634615)	(634615)
8	Label, Fuse 2.0 Amp.	1	(634616)	(634616)	(634616)	(634616)	(634616)

Note: Part Numbers enclosed in brackets ( ) are not available individually, but may be sold in assemblies or kits.

IESP12SITER/ IESP16SITER/ IESP24SITER/ IESP32SITER/ IESP40SITER  
 (FOR STAINLESS STEEL PEDESTAL, INTERNATIONAL, 240 VOLT, 50 Hz)

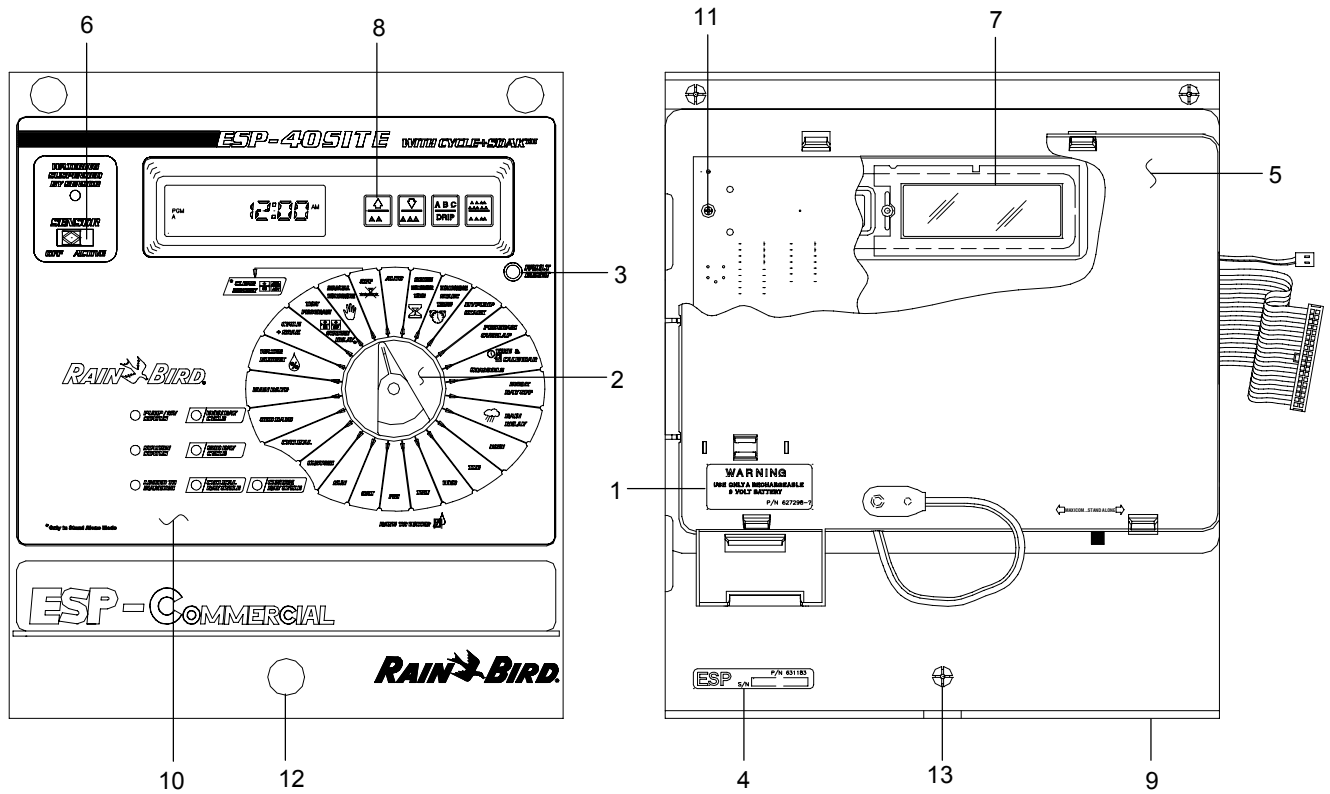


Ref.	Description	Qty.	12	16	24	32	40
<b>BRACKET ASSEMBLY ESP-SAT RFK, CONT.</b>							
9	Ground Wire Assy 12 Awg (11)	1	(634943-11)	(634943-11)	(634943-11)	(634943-11)	(634943-11)
10	Ground Wire Assy 12 Awg (19)	1	(634943-19)	(634943-19)	(634943-19)	(634943-19)	(634943-19)
-	Washer, Flat #10 .032	4	(650023-13)	(650023-13)	(650023-13)	(650023-13)	(650023-13)
-	Cable Tie, Nylon 7/8 Bundle	1	650131	650131	650131	650131	650131
11	Wshr Lk, #10, Ext-Tooth, Z-Pltd	4	(650162-04)	(650162-04)	(650162-04)	(650162-04)	(650162-04)
12	Screw Phl Pnh Hi-Lo 7-19x1/2	3	(650183-63)	(650183-63)	(650183-63)	(650183-63)	(650183-63)
13	Fuse 5x20MM 2Amps	1	(650307-03)	(650307-03)	(650307-03)	(650307-03)	(650307-03)
14	Rivet, Blind 0.19	6	(650434-13)	(650434-13)	(650434-13)	(650434-13)	(650434-13)
-	Spacer Circuit Brd. Edge Hold.	6	(650912-05)	(650912-05)	(650912-05)	(650912-05)	(650912-05)
-	Spacer Circuit Brd. Edge Hold.	6	(650912-08)	(650912-08)	(650912-08)	(650912-08)	(650912-08)
15	Fuse, 5x20MM, Slow Blow 2 1/2 Amp	1	650966-14	650966-14	650966-14	650966-14	650966-14
16	Impregnated Foam Corrosion Inh	1	(651331)	(651331)	(651331)	(651331)	(651331)
17	Holder Fuse	2	(651384)	(651384)	(651384)	(651384)	(651384)

Note: Part Numbers enclosed in brackets ( ) are not available individually, but may be sold in assemblies or kits.

IESP12SITER/ IESP16SITER/ IESP24SITER/ IESP32SITER/ IESP40SITER  
 (FOR STAINLESS STEEL PEDESTAL, INTERNATIONAL, 240 VOLT, 50 Hz)

FRONT PANEL ASSEMBLY

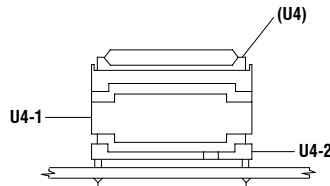
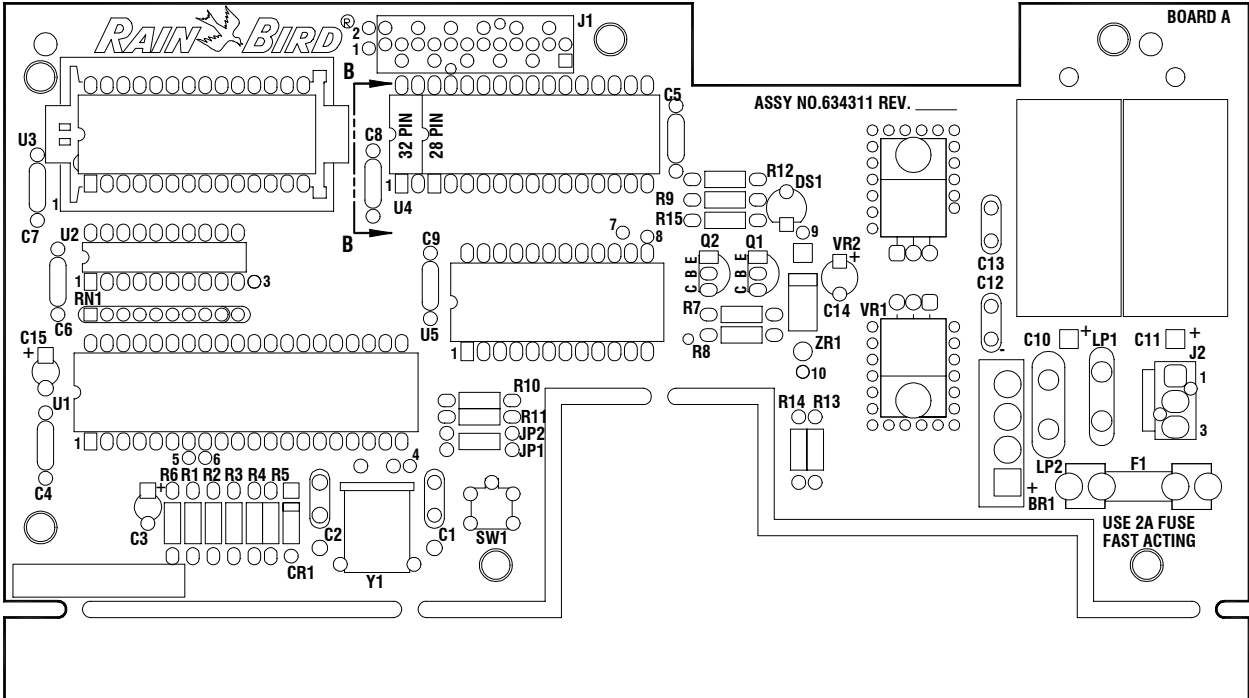


Ref.	Description	Qty.	12	16	24	32	40
<b>FRONT PANEL ASSEMBLY</b>			(634404-02)	(634404-03)	(634404-04)	(634404-05)	(634404-06)
1	Label Warning Cic 8/12	1	(627298)	(627298)	(627298)	(627298)	(627298)
2	Funct Select Knob Assy, Gray	1	630946	630946	630946	630946	630946
-	Esp Funct Select Knob, Gray	1	(630947)	(630947)	(630947)	(630947)	(630947)
-	Ring Compression	1	(650505-06)	(650505-06)	(650505-06)	(650505-06)	(650505-06)
3	Button, tm Pb Switch	1	(631136)	(631136)	(631136)	(631136)	(631136)
4	Label, Serial	1	(631183)	(631183)	(631183)	(631183)	(631183)
5	Cover, Pwb	1	(631920)	(631920)	(631920)	(631920)	(631920)
6	Swirch, Actuator-Paragon	1	(632510)	(632510)	(632510)	(632510)	(632510)
7	Lens, Lcd-Esp-C/Lx	1	632700	632700	632700	632700	632700
8	Keypad, Silicone	1	(632908)	(632908)	(632908)	(632908)	(632908)
9	Retro Kit, Assy, Frt Pnl-Esp-Sat	1	(633871)	(633871)	(633871)	(633871)	(633871)
-	Shield, Front Panel	1	(632897)	(632897)	(632897)	(632897)	(632897)
-	Front Panel Sub-Assy,P/Esp-St	1	(633810)	(633810)	(633810)	(633810)	(633810)
-	Front Panel	1	(631918)	(631918)	(631918)	(631918)	(631918)
10	Overlay Front Panel	1	(634401-02)	(634401-03)	(634401-04)	(634401-05)	(634401-06)
11	Screw, 4-24 x 5/16 Hi-Lo W/Wshr	5	(650563-23)	(650563-23)	(650563-23)	(650563-23)	(650563-23)
12	Lock, Plunger	3	(650927-02)	(650927-02)	(650927-02)	(650927-02)	(650927-02)
13	Lock, Grommet	3	(650928-02)	(650928-02)	(650928-02)	(650928-02)	(650928-02)

Note: Part Numbers enclosed in brackets ( ) are not available individually, but may be sold in assemblies or kits.

IESP12SITER/ IESP16SITER/ IESP24SITER/ IESP32SITER/ IESP40SITER  
 (FOR STAINLESS STEEL PEDESTAL, INTERNATIONAL, 240 VOLT, 50 Hz)

**PWB ASSY ESP-SITE CONTROL UNIT**



**SECTION B-B**

Ref.	Description	Qty.	12	16	24	32	40
<b>PWB ASSY ESP-SITE CONTROL UNIT</b>			(634311)	(634311)	(634311)	(634311)	(634311)
-	Label, Bar Code 39	1	(631356-01)	(631356-01)	(631356-01)	(631356-01)	(631356-01)
U4	IC, SRAM, 128K x 8, CMOS	1	632150	632150	632150	632150	632150
U4-1	IC, Clock/Battery Socket	1	632151	632151	632151	632151	632151
U3	IC, Prom Assy	1	(633614-57)	(633614-57)	(633614-57)	(633614-57)	(633614-57)
-	Printed Wiring Board	1	(634312)	(634312)	(634312)	(634312)	(634312)
C1,2	Capacitor, Ceramic, Disc 30pF, 50V	2	(650012-15)	(650012-15)	(650012-15)	(650012-15)	(650012-15)
C12, 13	Capacitor, ceramic, Disc 0.1uF, 500V	2	650013-45	650013-45	650013-45	650013-45	650013-45
LP1,2	Mov 33V, 500A	2	650015	650015	650015	650015	650015

Note: Part Numbers enclosed in brackets ( ) are not available individually, but may be sold in assemblies or kits.

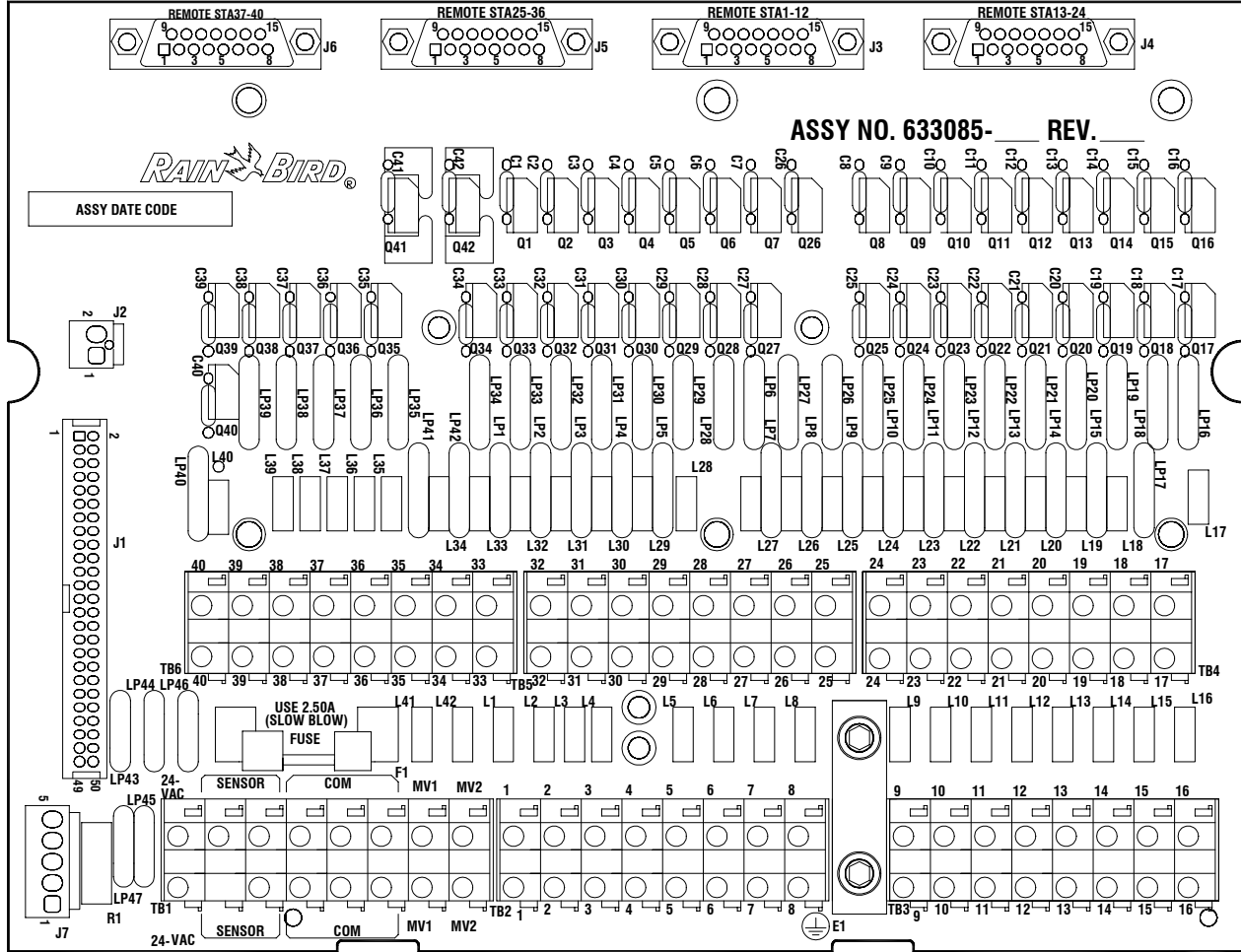
IESP12SITER/ IESP16SITER/ IESP24SITER/ IESP32SITER/ IESP40SITER  
(FOR STAINLESS STEEL PEDESTAL, INTERNATIONAL, 240 VOLT, 50 Hz)

Ref.	Description	Qty.	12	16	24	32	40
<b>PWB ASSY ESP-SITE CONTROL UNIT, CONT.</b>							
CR1	Diode	1	650037-01	650037-01	650037-01	650037-01	650037-01
R9	Resistor, Carbon Film, 1/4W, 1K Ohms	1	(650079-73)	(650079-73)	(650079-73)	(650079-73)	(650079-73)
R1-4, 6-8, 10, 11, 15	Resistor, carbon Film, 1/4W, 10K Ohms	10	(650079-97)	(650079-97)	(650079-97)	(650079-97)	(650079-97)
R5, 12, R13, 14	Resistor, carbon Film, 1/4W, 100K Ohms	4	(650080-22)	(650080-22)	(650080-22)	(650080-22)	(650080-22)
Q1, 2	Transistor, NPN	2	650084	650084	650084	650084	650084
C4-9	Capacitor, ceramic, Axial 0.1uF, 50V	6	(650085-55)	(650085-55)	(650085-55)	(650085-55)	(650085-55)
-	Grease	.01	(650101)	(650101)	(650101)	(650101)	(650101)
-	Rivet, Blind, Dome-Head .125Dia	2	(650139-05)	(650139-05)	(650139-05)	(650139-05)	(650139-05)
F1	Fuse, Mini., .197 Dia	1	(650307-03)	(650307-03)	(650307-03)	(650307-03)	(650307-03)
F1	Minifuse, Clips., .197Dia	2	(650308)	(650308)	(650308)	(650308)	(650308)
VR2	Voltage Regulator, 7805, +5V	1	650332	650332	650332	650332	650332
Y1	Crystal, Quartz 3.600Mhz	1	650334	650334	650334	650334	650334
U3	Socket, PROM Carrier	1	650518-02	650518-02	650518-02	650518-02	650518-02
BR1	Bridge, Rectifier 4A, 200V	1	650581-03	650581-03	650581-03	650581-03	650581-03
C3, 15	Capacitor, Tantalum, Radial 10uF, 25V	2	(650583-07)	(650583-07)	(650583-07)	(650583-07)	(650583-07)
C14	Capacitor Tantalum, Radial	1	650583-09	650583-09	650583-09	650583-09	650583-09
U2	IC, Octal D-Type Latch	1	650611	650611	650611	650611	650611
U4-2	Socket, Dip, Low-Profile 32Pins	1	(650622-11)	(650622-11)	(650622-11)	(650622-11)	(650622-11)
Y1	Wire, 22awg, Auto-Inserted .450Lead	2	(650625-03)	(650625-03)	(650625-03)	(650625-03)	(650625-03)
ZR1	Transient Suppressor	1	650658-01	650658-01	650658-01	650658-01	650658-01
J2	Header, St. Sq., Pin, 3Pos	1	(650893-03)	(650893-03)	(650893-03)	(650893-03)	(650893-03)
DS1	Led, Clear red, Superbright	1	650910	650910	650910	650910	650910
C10, 11	Capacitor, Electric, Axial, 3300uF, 25V	2	(650954)	(650954)	(650954)	(650954)	(650954)
U1	IC, Microcontroller	1	651031	651031	651031	651031	651031
SW1	Switch, Tact Push	1	(651109)	(651109)	(651109)	(651109)	(651109)
U5	IC, I/O Expander	1	(651294)	(651294)	(651294)	(651294)	(651294)
J1	Box Connector Strip 12Pos	1	(651309-11)	(651309-11)	(651309-11)	(651309-11)	(651309-11)
RN1	Resistor, Network, 9Pins 10K Ohms	1	(651310)	(651310)	(651310)	(651310)	(651310)
VR1	Voltage Regulator, 7812 +12V, 1A	1	(651352)	(651352)	(651352)	(651352)	(651352)

Note: Part Numbers enclosed in brackets ( ) are not available individually, but may be sold in assemblies or kits.

IESP12SITER/ IESP16SITER/ IESP24SITER/ IESP32SITER/ IESP40SITER  
 (FOR STAINLESS STEEL PEDESTAL, INTERNATIONAL, 240 VOLT, 50 Hz)

PWB ASSY TERMINAL



Ref.	Description	Qty.	12	16	24	32	40
<b>PWB ASSY TERMINAL</b>			(633085-08)	(633085-09)	(633085-10)	(633085-11)	(633085-12)
LP45,47	Mov 56V,1000A	2	624624	624624	624624	624624	624624
LP46	Mov 56V,1000A	1	624624	624624	624624	624624	624624
-	Label, Bar Code 39	1	(631356-01)	(631356-01)	(631356-01)	(631356-01)	(631356-01)
-	Printed Wiring Board	1	(633086)	(633086)	(633086)	(633086)	(633086)
-	Solder	.001	(650160)	(650160)	(650160)	(650160)	(650160)
L1-8, L41,L42	Inductor, Ferrite Bead	10	650300-05	650300-05	650300-05	650300-05	650300-05
L9-12	Inductor, Ferrite Bead	4	650300-05	650300-05	650300-05	650300-05	650300-05
L13-16	Inductor, Ferrite Bead	4	-	650300-05	650300-05	650300-05	650300-05
L17-24	Inductor, Ferrite Bead	8	-	-	650300-05	650300-05	650300-05
L25-32	Inductor, Ferrite Bead	8	-	-	-	650300-05	650300-05

Note: Part Numbers enclosed in brackets ( ) are not available individually, but may be sold in assemblies or kits.

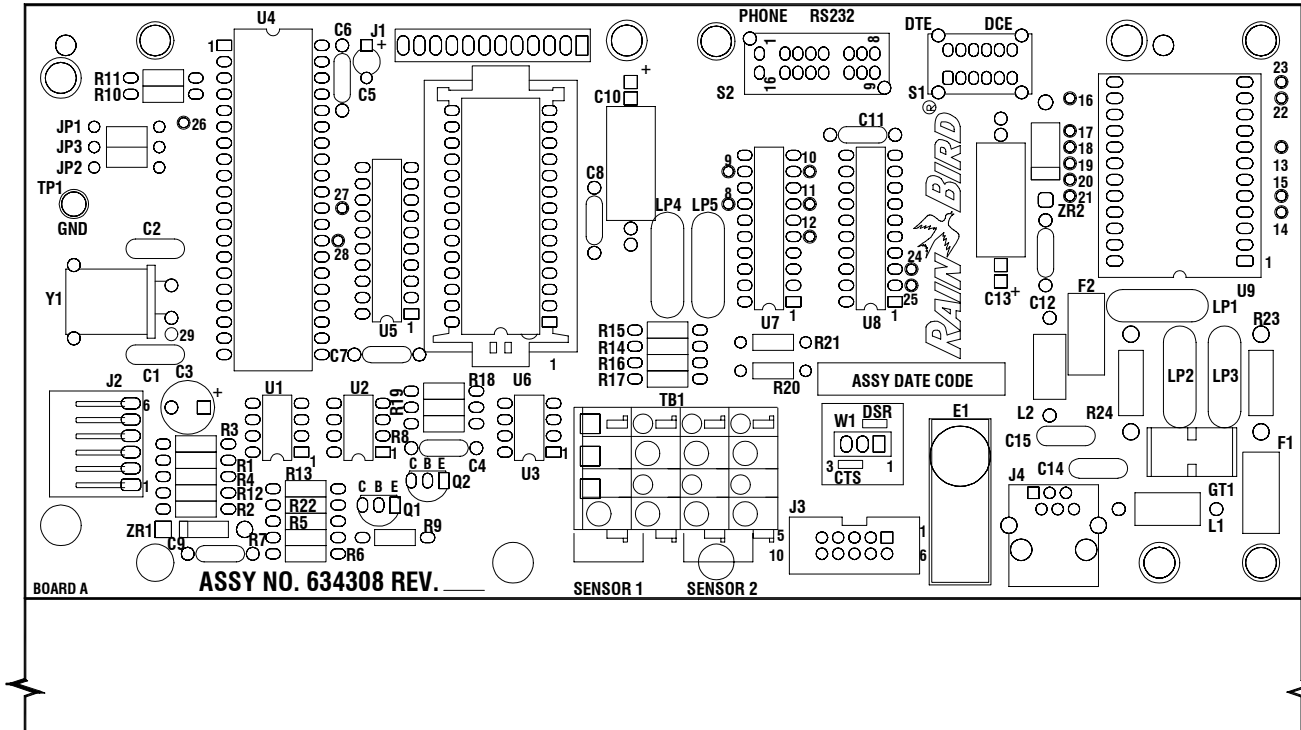
IESP12SITER/ IESP16SITER/ IESP24SITER/ IESP32SITER/ IESP40SITER  
(FOR STAINLESS STEEL PEDESTAL, INTERNATIONAL, 240 VOLT, 50 Hz)

Ref.	Description	Qty.	12	16	24	32	40
<b>PWB ASSY TERMINAL, CONT.</b>							
L33-40	Inductor, Ferrite Bead	8	-	-	-	-	650300-05
-	Mini Fuse Clips .197 Dia	2	(650308)	(650308)	(650308)	(650308)	(650308)
J3	Connector, DB15S 15Pins	1	(650610-06)	(650610-06)	(650610-06)	(650610-06)	(650610-06)
J4	Connector, DB15S 15Pins	1	-	(650610-06)	(650610-06)	(650610-06)	(650610-06)
J5	Connector, DB15S 15Pins	1	-	-	-	(650610-06)	(650610-06)
J6	Connector, DB15S 15Pins	1	-	-	-	-	(650610-06)
J3	Jack Socket Kit	1	(650620)	(650620)	(650620)	(650620)	(650620)
J4	Jack Socket Kit	1	-	(650620)	(650620)	(650620)	(650620)
J5	Jack Socket Kit	1	-	-	-	(650620)	(650620)
J6	Jack Socket Kit	1	-	-	-	-	(650620)
R1	Resistor, 2%, 2W, .1Ohm	1	(650766-01)	(650766-01)	(650766-01)	(650766-01)	(650766-01)
LP1-8 LP41,42	Mov 20MM 47V,2000A	10	650796	650796	650796	650796	650796
LP9-12	Mov 20MM 47V,2000A	4	650796	650796	650796	650796	650796
LP13-16	Mov 20MM 47V,2000A	4	-	650796	650796	650796	650796
LP17-24	Mov 20MM 47V,2000A	8	-	-	650796	650796	650796
LP25-32	Mov 20MM 47V,2000A	8	-	-	-	650796	650796
LP33-40	Mov 20MM 47V,2000A	8	-	-	-	-	650796
J1	Header, Polzd., .100Ctrs. 50Pins.	1	(650872-50)	(650872-50)	(650872-50)	(650872-50)	(650872-50)
LP44	Mov 47V,1000A	1	650875	650875	650875	650875	650875
C1-8 C41,42	Capacitor Ceramic Axial .01uF,100V	10	(650882-01)	(650882-01)	(650882-01)	(650882-01)	(650882-01)
C9-12	Capacitor Ceramic Axial .01uF,100V	4	(650882-01)	(650882-01)	(650882-01)	(650882-01)	(650882-01)
C13-16	Capacitor Ceramic Axial .01uF,100V	4	-	(650882-01)	(650882-01)	(650882-01)	(650882-01)
C17-24	Capacitor Ceramic Axial .01uF,100V	8	-	-	(650882-01)	(650882-01)	(650882-01)
C25-32	Capacitor Ceramic Axial .01uF,100V	8	-	-	-	(650882-01)	(650882-01)
C33-40	Capacitor Ceramic Axial .01uF,100V	8	-	-	-	-	(650882-01)
-	Mini Fuse .197Dia 2.5 Amp	1	650966-14	650966-14	650966-14	650966-14	650966-14
TB1,2	Terminal Block .300spc 1Pos	16	(651000-01)	(651000-01)	(651000-01)	(651000-01)	(651000-01)
TB3	Terminal Block .300spc 1Pos	8	(651000-01)	(651000-01)	(651000-01)	(651000-01)	(651000-01)
TB4	Terminal Block .300spc 1Pos	8	-	-	(651000-01)	(651000-01)	(651000-01)
TB5	Terminal Block .300spc 1Pos	8	-	-	-	(651000-01)	(651000-01)
TB6	Terminal Block .300spc 1Pos	8	-	-	-	-	(651000-01)
Q1-8 Q41,42	Triac, 6Amps	10	651138	651138	651138	651138	651138
Q9-12	Triac, 6Amps	4	651138	651138	651138	651138	651138
Q13-16	Triac, 6Amps	4	-	651138	651138	651138	651138
Q17-24	Triac, 6Amps	8	-	-	651138	651138	651138
Q25-32	Triac, 6Amps	8	-	-	-	651138	651138
Q33-40	Triac, 6Amps	8	-	-	-	-	651138
LP43	Mov 50V,2500A	1	(651272)	(651272)	(651272)	(651272)	(651272)

Note: Part Numbers enclosed in brackets ( ) are not available individually, but may be sold in assemblies or kits.

IESP12SITER/ IESP16SITER/ IESP24SITER/ IESP32SITER/ IESP40SITER  
 (FOR STAINLESS STEEL PEDESTAL, INTERNATIONAL, 240 VOLT, 50 Hz)

**PWB ASSY ESP-SITE INTERFACE & MODEM**



Ref.	Description	Qty.	12	16	24	32	40
<b>PWB ASSY ESP-SITE INTERFACE &amp; MODEM</b>			(634308)	(634308)	(634308)	(634308)	(634308)
LP1-3	Mov 230Vac,4500A	3	(630386)	(630386)	(630386)	(630386)	(630386)
-	Label. Bar Code 39	1	(631356-01)	(631356-01)	(631356-01)	(631356-01)	(631356-01)
U6	PROM Carrier Assy	1	633323-03	633323-03	633323-03	633323-03	633323-03
-	Printed Wiring board Fabrication	1	(634309)	(634309)	(634309)	(634309)	(634309)
C1,2	Capacitor Ceramic,Disc,30pF,50V	2	(650012-15)	(650012-15)	(650012-15)	(650012-15)	(650012-15)
LP4,5	Mov 33V,500A	2	650015	650015	650015	650015	650015
ZR1	Diode Zener, 5.1V	1	(650038-70)	(650038-70)	(650038-70)	(650038-70)	(650038-70)
C13	Capacitor, Electrl,Axial 100uF,10V	1	(650044-05)	(650044-05)	(650044-05)	(650044-05)	(650044-05)
R1	Resistor,Carbon Film,1/4W 100Ohms	1	650079-49	650079-49	650079-49	650079-49	650079-49
R3,13	Resistor,Carbon Film,1/4W 270Ohms	2	(650079-59)	(650079-59)	(650079-59)	(650079-59)	(650079-59)
R14-17	Resistor,Carbon Film,1/4W 1KOhm	4	(650079-73)	(650079-73)	(650079-73)	(650079-73)	(650079-73)
R2	Resistor,Carbon Film,1/4W 1.5KOhms	1	(650079-77)	(650079-77)	(650079-77)	(650079-77)	(650079-77)
R4,20, R21	Resistor,Carbon Film,1/4W 2KOhms	3	(650079-80)	(650079-80)	(650079-80)	(650079-80)	(650079-80)
R6,8,9, 18,19,22	Resistor,Carbon Film, 1/4W 4.7KOhms	6	650079-89	650079-89	650079-89	650079-89	650079-89

Note: Part Numbers enclosed in brackets ( ) are not available individually, but may be sold in assemblies or kits.



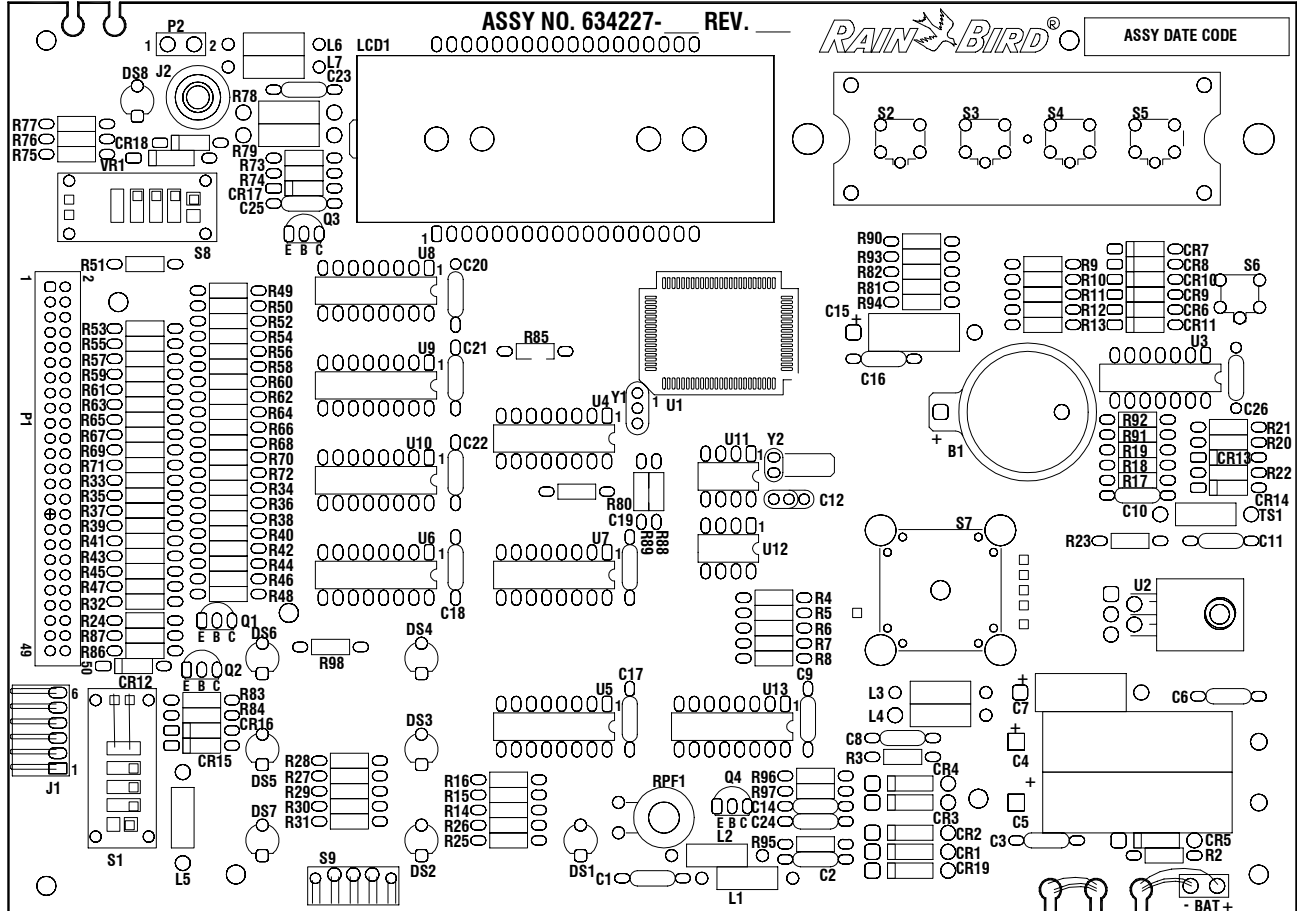
IESP12SITER/ IESP16SITER/ IESP24SITER/ IESP32SITER/ IESP40SITER  
(FOR STAINLESS STEEL PEDESTAL, INTERNATIONAL, 240 VOLT, 50 Hz)

Ref.	Description	Qty.	12	16	24	32	40
<b>PWB ASSY ESP-SITE INTERFACE &amp; MODEM, CONT.</b>							
R12	Resistor, Carbon Film, 1/4W 10KOhms	1	(650079-97)	(650079-97)	(650079-97)	(650079-97)	(650079-97)
R5,7,10,R11	Resistor, Carbon Film, 1/4W 47K Ohms	4	(650080-14)	(650080-14)	(650080-14)	(650080-14)	(650080-14)
C10	Capacitor, Electrl, Axial 10uF, 16V	1	(650083-01)	(650083-01)	(650083-01)	(650083-01)	(650083-01)
C4,12	Capacitor, Ceramic, Axial .01uF, 50V	2	650085-31	650085-31	650085-31	650085-31	650085-31
C6-9,11	Capacitor, Ceramic Axial 0.1uF, 50V	5	(650085-55)	(650085-55)	(650085-55)	(650085-55)	(650085-55)
TP1	Test Point, PC Mount	1	(650336-01)	(650336-01)	(650336-01)	(650336-01)	(650336-01)
Q1,2	TransistormPNP	2	650369	650369	650369	650369	650369
W1	Plug, Shorting	1	(650417)	(650417)	(650417)	(650417)	(650417)
U1,2,3	IC, Opto-Coupler	3	650445	650445	650445	650445	650445
W1	Header, .100Ctrs 3Pins	1	(650454-03)	(650454-03)	(650454-03)	(650454-03)	(650454-03)
L1,2	Inductor Ferrite Bead Lead	2	(650509)	(650509)	(650509)	(650509)	(650509)
C14,15	Capacitor, Ceramic, Radial .005uF, 1KV	2	(650516)	(650516)	(650516)	(650516)	(650516)
U6	Socket, PROM Carrier	1	650518-02	650518-02	650518-02	650518-02	650518-02
U8	IC, RS-232 Driver/Receiver	1	650559	650559	650559	650559	650559
C5	Capacitor, Tantalum, Radial 2.2uF, 25V	1	650583-03	650583-03	650583-03	650583-03	650583-03
C3	Capacitor, Tantalum, Radial 22uF, 25V	1	650583-09	650583-09	650583-09	650583-09	650583-09
S1	Switch, Slide, 4PDT	1	650609	650609	650609	650609	650609
U5	IC, Octal D-Type Latch	1	650611	650611	650611	650611	650611
Y1	Wire, 22Awg, Auto-Inserted .450Lead SP	.55	(650625-03)	(650625-03)	(650625-03)	(650625-03)	(650625-03)
ZR2	Transient Supresor	1	650658-01	650658-01	650658-01	650658-01	650658-01
Y1	Crystal, Quartz 11.059 MHz	1	650721	650721	650721	650721	650721
J3	Header, Low Profile 1- Pos	1	(650872-10)	(650872-10)	(650872-10)	(650872-10)	(650872-10)
TB1	Terminal Block, .300LD SP	4	(651000-01)	(651000-01)	(651000-01)	(651000-01)	(651000-01)
U7	IC, Noninverting Buffer	1	(651001)	(651001)	(651001)	(651001)	(651001)
U9	IC, Modem Module	1	(651002)	(651002)	(651002)	(651002)	(651002)
S2	Switch, Slide, 4P3T	1	(651003)	(651003)	(651003)	(651003)	(651003)
J2	Header, Polzd, Right Angle .098Ctrs	1	(651005-06)	(651005-06)	(651005-06)	(651005-06)	(651005-06)
U4	IC, Microcontroller	1	651031	651031	651031	651031	651031
J1	Board Spacerm .025"Sq.	1	(651308-11)	(651308-11)	(651308-11)	(651308-11)	(651308-11)
J4	Connector, Modular Jask, Low Prof.	1	(651317)	(651317)	(651317)	(651317)	(651317)
F1,2	Polyswitch, Series TR600	2	(651318)	(651318)	(651318)	(651318)	(651318)
R23,24	Resistor, Power metal Film	2	(651322)	(651322)	(651322)	(651322)	(651322)
GT1	Protector, Surge, Spark Gap	1	(651427)	(651427)	(651427)	(651427)	(651427)

Note: Part Numbers enclosed in brackets ( ) are not available individually, but may be sold in assemblies or kits.

IESP12SITER/ IESP16SITER/ IESP24SITER/ IESP32SITER/ IESP40SITER  
 (FOR STAINLESS STEEL PEDESTAL, INTERNATIONAL, 240 VOLT, 50 Hz)

**PWB ASSY ESP-MC ESC-1 CONTROLLER**



Ref.	Description	Qty.	12	16	24	32	40
<b>PWB ASSY ESP-MC ESC-1 CONTROLLER</b>			(634227-02)	(634227-03)	(634227-04)	(634227-05)	(634227-06)
S7	Switch Rotary	1	(630609)	(630609)	(630609)	(630609)	(630609)
S8	Switch, Slide	1	(630651)	(630651)	(630651)	(630651)	(630651)
-	Label, Bar Code 39	1	(631356-01)	(631356-01)	(631356-01)	(631356-01)	(631356-01)
LCD1	Spacer, LCD	1	(632046)	(632046)	(632046)	(632046)	(632046)
P2	Sensor Cable	1	(632048-01)	(632048-01)	(632048-01)	(632048-01)	(632048-01)
J2	Spring, Shield .70 Long	1	(632898-01)	(632898-01)	(632898-01)	(632898-01)	(632898-01)
LCD1	Liquid, Crystal Display	1	(633087)	(633087)	(633087)	(633087)	(633087)
U1	Microcomp., Toshiba, OTP	1	(633088)	(633088)	(633088)	(633088)	(633088)
P1	Ribbon Cable Assy 50Ckts	1	(633090)	(633090)	(633090)	(633090)	(633090)
-	Printed Wiring Board	1	(634228)	(634228)	(634228)	(634228)	(634228)
C12	Capacitor, ceramic radial 6pF, 50V	1	(650012-04)	(650012-04)	(650012-04)	(650012-04)	(650012-04)
U2	Washer, Flat, carbon Steel	1	(650023-03)	(650023-03)	(650023-03)	(650023-03)	(650023-03)

Note: Part Numbers enclosed in brackets ( ) are not available individually, but may be sold in assemblies or kits.

IESP12SITER/ IESP16SITER/ IESP24SITER/ IESP32SITER/ IESP40SITER  
(FOR STAINLESS STEEL PEDESTAL, INTERNATIONAL, 240 VOLT, 50 Hz)

Ref.	Description	Qty.	12	16	24	32	40
<b>PWB ASSY ESP-MC ESC-1 CONTROLLER, CONT.</b>							
CR6	Diode, Switching	1	650037-01	650037-01	650037-01	650037-01	650037-01
CR7	Diode, Switching	1	650037-01	-	650037-01	-	650037-01
CR8	Diode, Switching	1	-	650037-01	650037-01	-	-
CR9	Diode, Switching	1	-	-	-	650037-01	650037-01
CR11-18	Diode, Switching	8	650037-01	650037-01	650037-01	650037-01	650037-01
VR1	Diode, Zener, 500mW, 5.6V	1	(650038-71)	(650038-71)	(650038-71)	(650038-71)	(650038-71)
C7, 15	Capacitor, Electrolytic, Axial 47uF, 10V	2	(650044-03)	(650044-03)	(650044-03)	(650044-03)	(650044-03)
BAT	Battery Snap 9V	1	650075	650075	650075	650075	650075
CR1-5 C19	Diode, Gen Purpose, 1Amp	6	650077-02	650077-02	650077-02	650077-02	650077-02
R23, 85 R98	Resistor, Carbon Film, 1/4W, 10Ohms	2	(650079-25)	(650079-25)	(650079-25)	(650079-25)	(650079-25)
R49-56 R24, 32,	Resistor, Carbon Film 1/4W, 150Ohms	11	(650079-53)	(650079-53)	(650079-53)	(650079-53)	(650079-53)
R57-60	Resistor, Carbon Film 1/4W, 150Ohms	4	(650079-53)	(650079-53)	(650079-53)	(650079-53)	(650079-53)
R61-64	Resistor, Carbon Film 1/4W, 150Ohms	4	-	(650079-53)	(650079-53)	(650079-53)	(650079-53)
R65-72	Resistor, Carbon Film 1/4W, 150Ohms	8	-	-	(650079-53)	(650079-53)	(650079-53)
R33-40	Resistor, Carbon Film 1/4W, 150Ohms	8	-	-	-	(650079-53)	(650079-53)
R41-48	Resistor, Carbon Film 1/4W, 150Ohms	8	-	-	-	-	(650079-53)
R25-31	Resistor, Carbon Film 1/4W 470Ohms	7	(650079-65)	(650079-65)	(650079-65)	(650079-65)	(650079-65)
R17, 95	Resistor, Carbon Film, 1/4W, 1KOhm	2	(650079-73)	(650079-73)	(650079-73)	(650079-73)	(650079-73)
R76	Resistor, Carbon Film, 1/4W, 2KOhms	1	(650079-80)	(650079-80)	(650079-80)	(650079-80)	(650079-80)
R2	Resistor, Carbon Film, 1/4W 3.3KOhms	1	(650079-85)	(650079-85)	(650079-85)	(650079-85)	(650079-85)
R88-90 R84, 87 R20-22	Resistor, Carbon Film, 1/4W, 4.7KOhms	8	650079-89	650079-89	650079-89	650079-89	650079-89
R92	Resistor, Carbon Film, 1/4W, 8.2KOhms	1	(650079-95)	(650079-95)	(650079-95)	(650079-95)	(650079-95)
R19, 91	Resistor, Carbon Film, 1/4W, 10Kohms	2	(650079-97)	(650079-97)	(650079-97)	(650079-97)	(650079-97)
R83, 86 R18, 80	Resistor, Carbon Film, 1/4W, 47KOhms	4	(650080-14)	(650080-14)	(650080-14)	(650080-14)	(650080-14)
R94 R82, 93, R43, 81 R4-16	Resistor, Carbon Film, 1/4W 100Kohms	18	(650080-22)	(650080-22)	(650080-22)	(650080-22)	(650080-22)
R96, 97 R74, 75 R3	Resistor, Carbon Film, 1/4W, 220KOhms	5	(650080-30)	(650080-30)	(650080-30)	(650080-30)	(650080-30)
C20, 24 C16, 17 C10, 14 C3, 8, 9	Capacitor, Ceramic Axial .1uF, 50V	9	(650085-55)	(650085-55)	(650085-55)	(650085-55)	(650085-55)

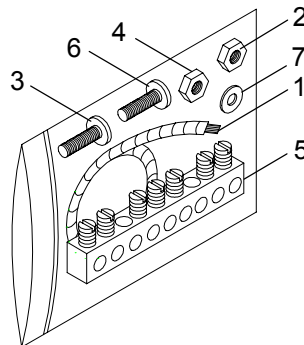
Note: Part Numbers enclosed in brackets ( ) are not available individually, but may be sold in assemblies or kits.

IESP12SITER/ IESP16SITER/ IESP24SITER/ IESP32SITER/ IESP40SITER  
(FOR STAINLESS STEEL PEDESTAL, INTERNATIONAL, 240 VOLT, 50 Hz)

Ref.	Description	Qty.	12	16	24	32	40
<b>PWB ASSY ESP-MC ESC-1 CONTROLLER, CONT.</b>							
C21	Capacitor, Ceramic Axial .1uF, 50V	1	(650085-55)	(650085-55)	(650085-55)	(650085-55)	(650085-55)
C22	Capacitor, Ceramic Axial .1uF, 50V	1	-	-	(650085-55)	(650085-55)	(650085-55)
C18	Capacitor, Ceramic Axial .1uF, 50V	1	-	-	-	(650085-55)	(650085-55)
C19	Capacitor, Ceramic Axial .1uF, 50V	1	-	-	-	-	(650085-55)
U2	Rivet, Blind Dome HD. .125Dia	1	(650139-05)	(650139-05)	(650139-05)	(650139-05)	(650139-05)
R78,79	Resistor, Carbon Film, 1/2W, 1KOhms	2	(650202-73)	(650202-73)	(650202-73)	(650202-73)	(650202-73)
L1-7	Inductor, Ferrite Bead	7	650300-05	650300-05	650300-05	650300-05	650300-05
U3	IC Quad OP Amp	1	650358	650358	650358	650358	650358
Q3,4	Transistor, NPN, 624mW	2	650367	650367	650367	650367	650367
Q1,2	Transistor, PNP	2	650369	650369	650369	650369	650369
Y2	Crystal, Quartz 32.768KHz	1	(650484)	(650484)	(650484)	(650484)	(650484)
TS1	Transient Suppressor 6.8V	1	(650595-01)	(650595-01)	(650595-01)	(650595-01)	(650595-01)
C5	Capacitor, Electrolytic, Axial 330uF, 25V	1	(650624)	(650624)	(650624)	(650624)	(650624)
U4	3-8 Line Decoder	1	650699	650699	650699	650699	650699
S2,3,4 S5,6	Switch, Pushbutton	5	(650748)	(650748)	(650748)	(650748)	(650748)
C23,25 C1,2,11	Capacitor, ceramic Axial .01uF, 100V	5	(650882-01)	(650882-01)	(650882-01)	(650882-01)	(650882-01)
C6	Capacitor, NPO, Axial 10pF, 100V	1	(650883-13)	(650883-13)	(650883-13)	(650883-13)	(650883-13)
C26	Capacitor, NPO, Axial 220pF, 100V	1	(650883-17)	(650883-17)	(650883-17)	(650883-17)	(650883-17)
U5,8	8Bit Addressable Latch	2	650889	650889	650889	650889	650889
U9	8Bit Addressable Latch	1	650889	650889	650889	650889	650889
U10	8Bit Addressable Latch	1	-	-	650889	650889	650889
U6	8Bit Addressable Latch	1	-	-	-	650889	650889
U7	8Bit Addressable Latch	1	-	-	-	-	650889
DS1-8	Led, red, .200Ctrs.	8	650910	650910	650910	650910	650910
U2	Regulator, Low Dropout	1	(650962)	(650962)	(650962)	(650962)	(650962)
J2	Eyelet, Spring	1	(650985)	(650985)	(650985)	(650985)	(650985)
J1	Header, Polzd. Radial, .100Ctrs 6Pins	1	(651005-06)	(651005-06)	(651005-06)	(651005-06)	(651005-06)
B1	Battery, Lithium	1	(651009)	(651009)	(651009)	(651009)	(651009)
B1	Holder, Battery Coin	1	(651010)	(651010)	(651010)	(651010)	(651010)
U11	IC, Real Time Clock	1	(651011)	(651011)	(651011)	(651011)	(651011)
U12	IC, EEPROM-4K Byte, Serial	1	(651012)	(651012)	(651012)	(651012)	(651012)
Y1	Resonator, ceramic 8.00MHz	1	(651013)	(651013)	(651013)	(651013)	(651013)
U13	IC, 8Bit Input Mux	1	(651014)	(651014)	(651014)	(651014)	(651014)
C4	Capacitor, Electrolytic, Axial 1000uF, 25V	1	(651054-12)	(651054-12)	(651054-12)	(651054-12)	(651054-12)
RPF1	Polyswitch, RXE, 60V, .65A	1	(651055-08)	(651055-08)	(651055-08)	(651055-08)	(651055-08)
S9	Switch Slide	1	(651292)	(651292)	(651292)	(651292)	(651292)

Note: Part Numbers enclosed in brackets ( ) are not available individually, but may be sold in assemblies or kits.

IESP12SITER/ IESP16SITER/ IESP24SITER/ IESP32SITER/ IESP40SITER  
(FOR STAINLESS STEEL PEDESTAL, INTERNATIONAL, 240 VOLT, 50 Hz)



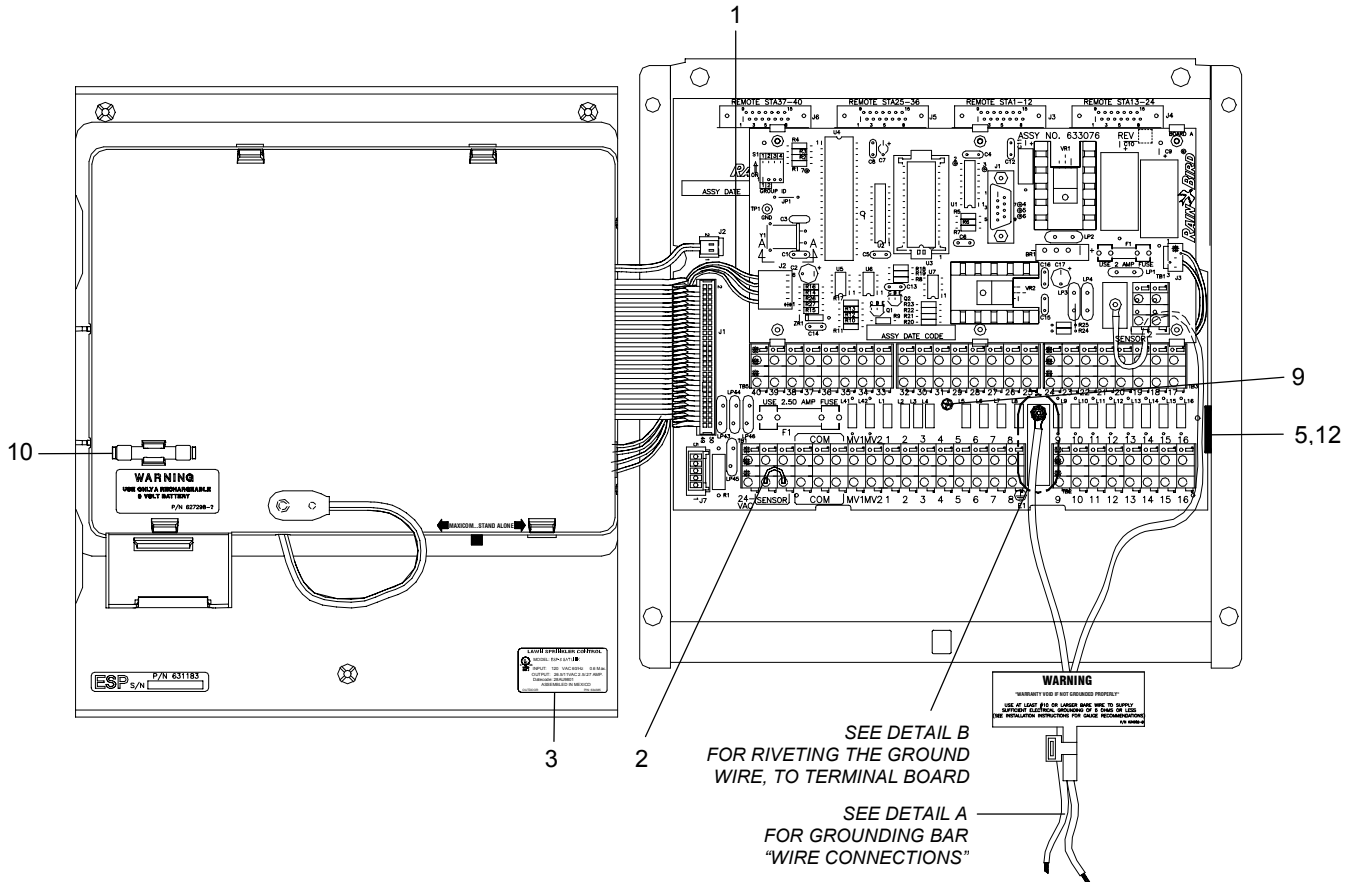
### BAR BUS MOUNTING KIT

Ref.	Description	Qty.	12	16	24	32	40
<b>ACCESSORIES</b>							
-	Label, Box 50 Cycle	1	(622974)	(622974)	(622974)	(622974)	(622974)
-	Locknut Conduit	1	(628013)	(628013)	(628013)	(628013)	(628013)
-	Bag, Poly 4 x 5	2	(628282-06)	(628282-06)	(628282-06)	(628282-06)	(628282-06)
-	Card, Costumer Registration-Tm	1	(632354)	(632354)	(632354)	(632354)	(632354)
-	Xfmr Assy, Link, 120V	1	633165-02	633165-01	633165-01	633165-01	633165-01
-	Instructions, Instl&oper	1	633686	633686	633686	633686	633686
-	Instr, Instal & Oper, Span	1	(633696)	(633696)	(633696)	(633696)	(633696)
-	Bracket, Xfmr Esp-Sat Retro Ped	1	(633745)	(633745)	(633745)	(633745)	(633745)
-	Connector, Xfmr, Retrofit	1	(633748)	(633748)	(633748)	(633748)	(633748)
-	Instructions, Instal	1	(633819)	(633819)	(633819)	(633819)	(633819)
-	Sheet, Info, Retro Pilot	1	(633894)	(633894)	(633894)	(633894)	(633894)
-	Guide, Operations Adden	1	(633942)	(633942)	(633942)	(633942)	(633942)
-	Cable Assy., Modem-Site	1	(634356)	(634356)	(634356)	(634356)	(634356)
-	Manual Addendum	1	(634482)	(634482)	(634482)	(634482)	(634482)
-	Manual Addendum, Spanish	1	(634618)	(634618)	(634618)	(634618)	(634618)
-	Bar, Bus Mounting Kit	1	(634986)	(634986)	(634986)	(634986)	(634986)
1	Ground Wire Assy 12 Awg (15)	1	(634943-15)	(634943-15)	(634943-15)	(634943-15)	(634943-15)
2	Nut, Pl, Hex, #8-32, Cres, Psvtd	4	(650033-04)	(650033-04)	(650033-04)	(650033-04)	(650033-04)
3	Screw 8-32	4	(650105-48)	(650105-48)	(650105-48)	(650105-48)	(650105-48)
4	Nut, #8-32 Hex W/Star Washer	4	(650634-04)	(650634-04)	(650634-04)	(650634-04)	(650634-04)
-	Bag, Zip Lock, Plastic, 2.5x3	1	(650924-03)	(650924-03)	(650924-03)	(650924-03)	(650924-03)
5	Bar Bus Grounding	2	(651440)	(651440)	(651440)	(651440)	(651440)
6	Screw, Rnd Hd Tamper Proof #8	2	(651457)	(651457)	(651457)	(651457)	(651457)
7	Washer, Ss With Neoprene #8	2	(651458)	(651458)	(651458)	(651458)	(651458)
-	Grounding Int. Addendum Ss Cont	1	(635009)	(635009)	(635009)	(635009)	(635009)
-	Washer, Flat #8 .032	4	(650023-10)	(650023-10)	(650023-10)	(650023-10)	(650023-10)
-	Screw, Mach, Phn, 8-32, 2 1/2 Cres	4	(650106-55)	(650106-55)	(650106-55)	(650106-55)	(650106-55)
-	Screw, Phh, Rnd, Wshr, Hd, Type B	4	650565-28	650565-28	650565-28	650565-28	650565-28
-	Nut, Speed, U-Tyoe, 6AB Thread	4	(650684)	(650684)	(650684)	(650684)	(650684)
-	Battery, Nicad 7.2 V	1	650929	650929	650929	650929	650929
-	Lock Washer, External Tooth	1	(651389)	(651389)	(651389)	(651389)	(651389)

Note: Part Numbers enclosed in brackets ( ) are not available individually, but may be sold in assemblies or kits.

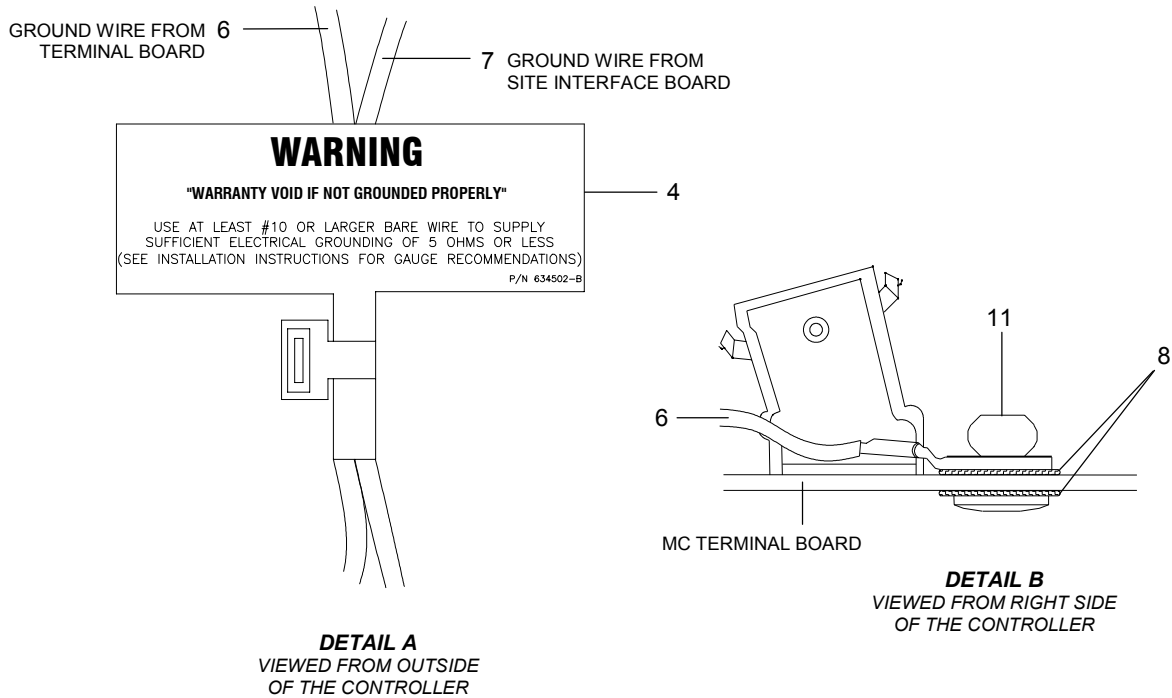
ESP12RK2S/ ESP16RK2S/ ESP24RK2S/ ESP32RK2S/ ESP40RK2S  
 (TWO-WIRE COMMUNICATION, FOR STAINLESS STEEL PEDESTAL, 120 VOLT, 60 Hz)

**BRACKET ASSY ESP-SAT RFK**



Note: Part Numbers enclosed in brackets ( ) are not available individually, but may be sold in assemblies or kits.

ESP12RK2S/ ESP16RK2S/ ESP24RK2S/ ESP32RK2S/ ESP40RK2S  
 (TWO-WIRE COMMUNICATION, FOR STAINLESS STEEL PEDESTAL, 120 VOLT, 60 Hz)

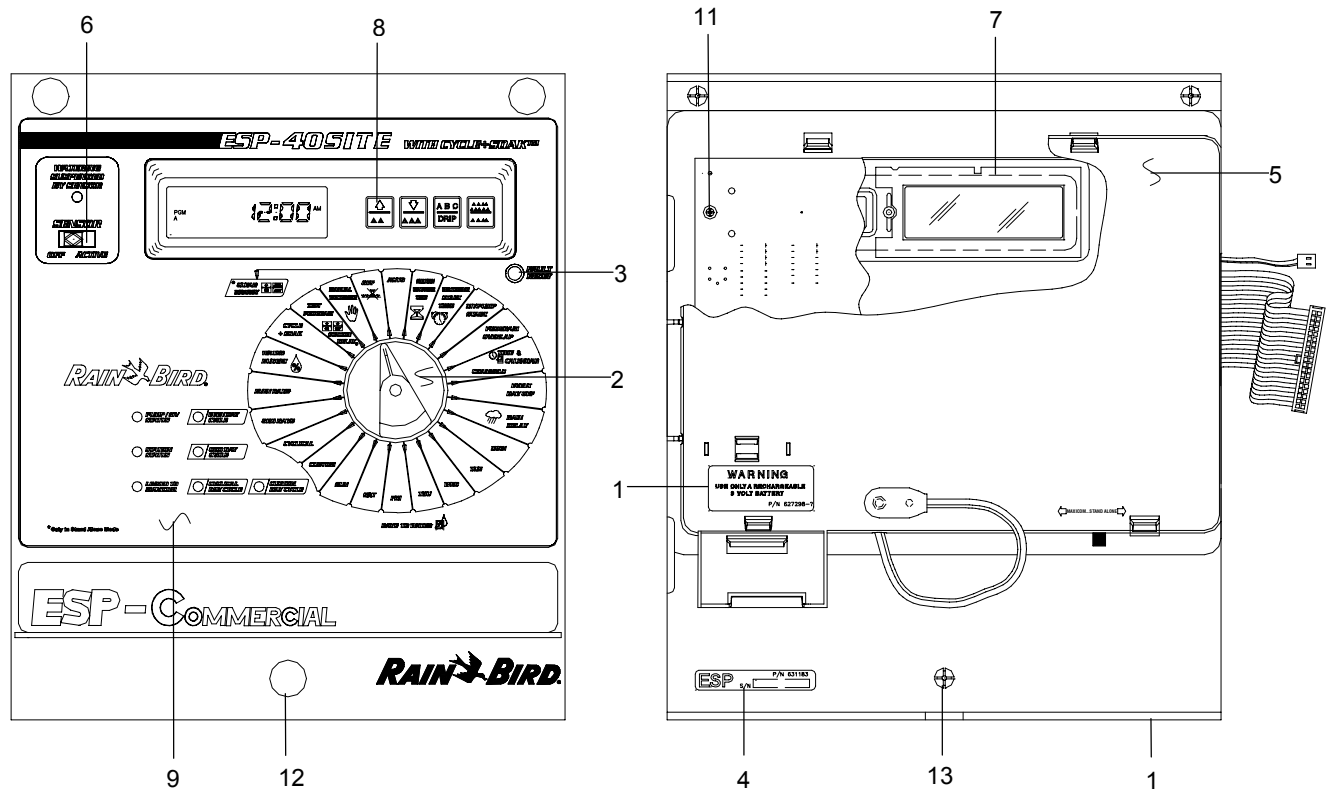


Ref.	Description	Qty.	12	16	24	32	40
	<b>BRACKET ASSY ESP-MC RFK</b>		(633814-02)	(633814-03)	(633814-04)	(633814-05)	(633814-06)
-	Spacer, Terminal Board	1	(631919)	(631919)	(631919)	(631919)	(631919)
1	Cable Assy, 2Wire/Link Intfc-Mc	1	(633132)	(633132)	(633132)	(633132)	(633132)
2	Sensor Jumper Wire	1	(633442)	(633442)	(633442)	(633442)	(633442)
-	Bracket, Ss Ped, Retrofit	1	(633744)	(633744)	(633744)	(633744)	(633744)
3	Label, Rating	1	(634385-11)	(634385-11)	(634385-11)	(634385-11)	(634385-11)
4	Label Warning Grounding	1	(634502)	(634502)	(634502)	(634502)	(634502)
5	Label, Warning Corrosion Inhib	1	(634558)	(634558)	(634558)	(634558)	(634558)
6	Ground Wire Assy 12 Awg (11)	1	(634943-11)	(634943-11)	(634943-11)	(634943-11)	(634943-11)
7	Ground Wire Assy 12 Awg (19)	1	(634943-19)	(634943-19)	(634943-19)	(634943-19)	(634943-19)
	Washer, Flat #10 .032	4	(650023-13)	(650023-13)	(650023-13)	(650023-13)	(650023-13)
-	Cable Tie, Nylon 7/8 Bundle	1	650131	650131	650131	650131	650131
8	Wshr Lk, #10,Ext-Tooth,Z-Pltd	4	(650162-04)	(650162-04)	(650162-04)	(650162-04)	(650162-04)
9	Screw Phl Pnh Hi-Lo 7-19x1/2	3	(650183-63)	(650183-63)	(650183-63)	(650183-63)	(650183-63)
10	Fuse, Slowblow,250V, 2-1/2 Amp	1	(650431-28)	(650431-28)	(650431-28)	(650431-28)	(650431-28)
11	Rivet, Blind 0.19	6	(650434-13)	(650434-13)	(650434-13)	(650434-13)	(650434-13)
-	Spacer, Circuit Board, Edge Hold	6	(650912-10)	(650912-10)	(650912-10)	(650912-10)	(650912-10)
12	Impregnated Foam Corrosion Inh	1	(651331)	(651331)	(651331)	(651331)	(651331)

Note: Part Numbers enclosed in brackets ( ) are not available individually, but may be sold in assemblies or kits.

ESP12RK2S/ ESP16RK2S/ ESP24RK2S/ ESP32RK2S/ ESP40RK2S  
 (TWO-WIRE COMMUNICATION, FOR STAINLESS STEEL PEDESTAL, 120 VOLT, 60 Hz)

FRONT PANEL ASSEMBLY



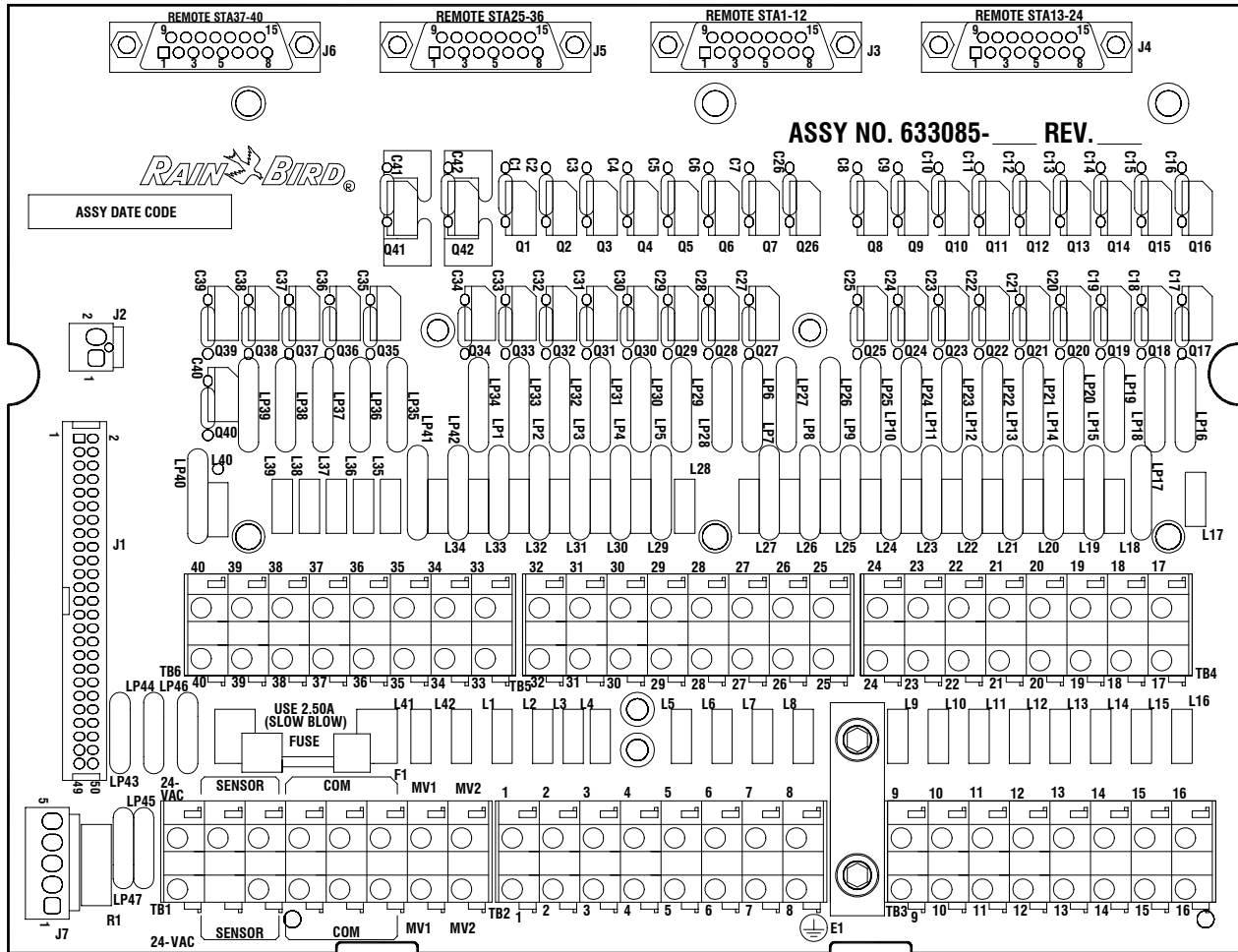
Ref.	Description	Qty.	12	16	24	32	40
<b>FRONT PANEL ASSEMBLY</b>			(633815-02)	(633815-03)	(633815-04)	(633815-05)	(633815-06)
1	Label Warning Cic 8/12	1	(627298)	(627298)	(627298)	(627298)	(627298)
2	Funct Select Knob Assy, Gray	1	630946	630946	630946	630946	630946
-	Esp Funct Select Knob, Gray	1	(630947)	(630947)	(630947)	(630947)	(630947)
-	Ring Compression	1	(650505-06)	(650505-06)	(650505-06)	(650505-06)	(650505-06)
3	Button, Tm Pb Switch	1	(631136)	(631136)	(631136)	(631136)	(631136)
4	Label, Serial	1	(631183)	(631183)	(631183)	(631183)	(631183)
5	Cover, Pwb	1	(631920)	(631920)	(631920)	(631920)	(631920)
6	Switch, Asctuator-Paragon	1	(632510)	(632510)	(632510)	(632510)	(632510)
7	Lens, Lcd-Esp-C/Lx	1	632700	632700	632700	632700	632700
8	Keypad, Silicone	1	(632908)	(632908)	(632908)	(632908)	(632908)
9	Overlay, Fr Panel, 12Sta, Esp-Sat	1	(633324-02)	(633324-03)	(633324-04)	(633324-05)	(633324-06)
10	Retro Kit Assy, Frt Pnl-Esp-Sat	1	(633871)	(633871)	(633871)	(633871)	(633871)
-	Shield, Front Panel	1	(632897)	(632897)	(632897)	(632897)	(632897)
-	Front Panel,Sub-Assy,P/Esp-St	1	(633810)	(633810)	(633810)	(633810)	(633810)
-	Front Panel Esp-Mc	1	(631918)	(631918)	(631918)	(631918)	(631918)
11	Screw, 4-24 x 5/16 Hi-Lo W/Wshr	5	(650563-23)	(650563-23)	(650563-23)	(650563-23)	(650563-23)
12	Lock, Plunger	3	(650927-02)	(650927-02)	(650927-02)	(650927-02)	(650927-02)
13	Lock, Grommet	3	(650928-02)	(650928-02)	(650928-02)	(650928-02)	(650928-02)

Note: Part Numbers enclosed in brackets ( ) are not available individually, but may be sold in assemblies or kits.



ESP12RK2S/ ESP16RK2S/ ESP24RK2S/ ESP32RK2S/ ESP40RK2S  
 (TWO-WIRE COMMUNICATION, FOR STAINLESS STEEL PEDESTAL, 120 VOLT, 60 Hz)

PWB ASSY TERMINAL



Ref.	Description	Qty.	12	16	24	32	40
<b>PWB ASSY TERMINAL</b>			(633085-02)	(633085-03)	(633085-04)	(633085-05)	(633085-06)
LP45,47	Mov 56V, 1000A	2	624624	624624	624624	624624	624624
LP46	Mov 56V, 1000A	1	624624	624624	624624	624624	624624
-	Label bar code 39	1	(631356-01)	(631356-01)	(631356-01)	(631356-01)	(631356-01)
-	Printed Wiring Board	1	(633086)	(633086)	(633086)	(633086)	(633086)
-	Fuse clip	2	(650098)	(650098)	(650098)	(650098)	(650098)
-	Solder	.01	(650160)	(650160)	(650160)	(650160)	(650160)
L41,42 L1-8	Inductor Ferrite Bead	10	650300-05	650300-05	650300-05	650300-05	650300-05
L9-12	Inductor Ferrite Bead	4	650300-05	650300-05	650300-05	650300-05	650300-05
L13-16	Inductor Ferrite Bead	4	-	650300-05	650300-05	650300-05	650300-05
L9-12	Inductor Ferrite Bead	4	650300-05	650300-05	650300-05	650300-05	650300-05

Note: Part Numbers enclosed in brackets ( ) are not available individually, but may be sold in assemblies or kits.

ESP12RK2S/ ESP16RK2S/ ESP24RK2S/ ESP32RK2S/ ESP40RK2S

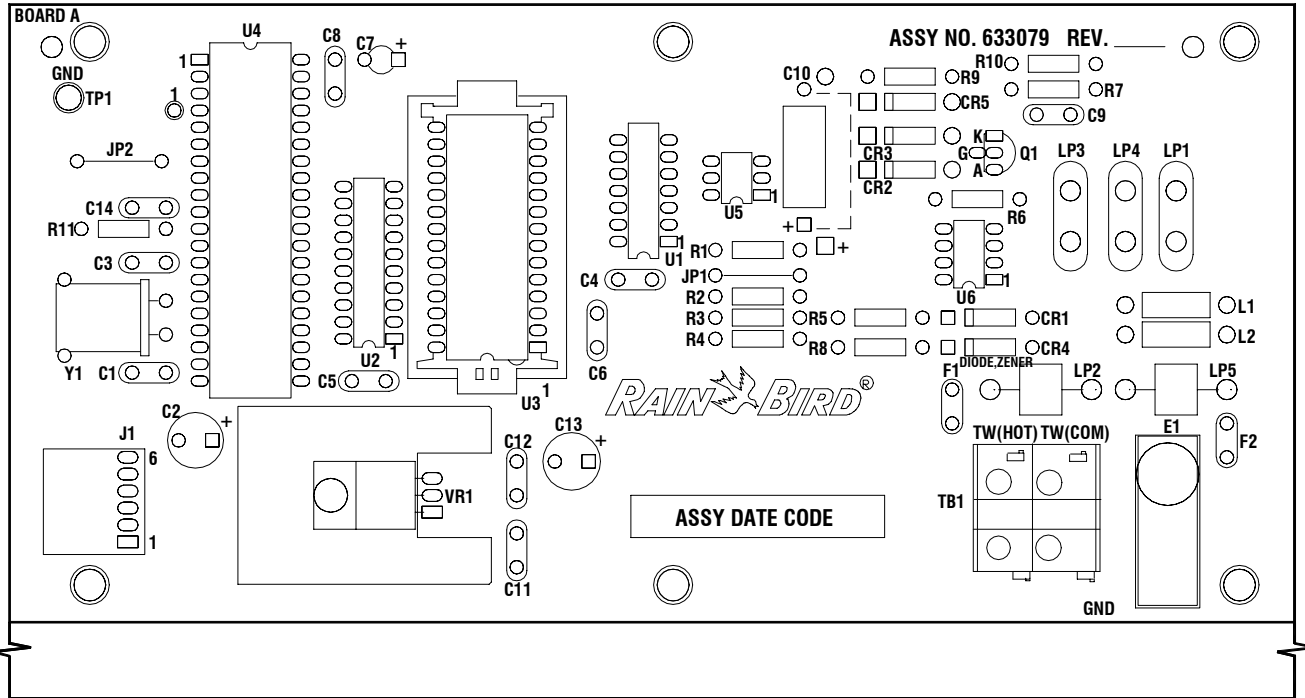
(TWO-WIRE COMMUNICATION, FOR STAINLESS STEEL PEDESTAL, 120 VOLT, 60 Hz)

Ref.	Description	Qty.	12	16	24	32	40
<b>PWB ASSY TERMINAL, CONT.</b>							
L13-16	Inductor Ferrite Bead	4	-	650300-05	650300-05	650300-05	650300-05
L17-24	Inductor Ferrite Bead	8	-	-	650300-05	650300-05	650300-05
L25-32	Inductor Ferrite Bead	8	-	-	-	650300-05	650300-05
L33-40	Inductor Ferrite Bead	8	-	-	-	-	650300-05
-	Fuse 2.5Amp	1	(650431-28)	(650431-28)	(650431-28)	(650431-28)	(650431-28)
J3	Connector, DB15S 15 Pins	1	(650610-06)	(650610-06)	(650610-06)	(650610-06)	(650610-06)
J4	Connector, DB15S 15 Pins	1	-	(650610-06)	(650610-06)	(650610-06)	(650610-06)
J5	Connector, DB15S 15 Pins	1	-	-	-	(650610-06)	(650610-06)
J6	Connector, DB15S 15 Pins	1	-	-	-	-	(650610-06)
J3	Jack Socket Kit	1	(650620)	(650620)	(650620)	(650620)	(650620)
J4	Jack Socket Kit	1	-	(650620)	(650620)	(650620)	(650620)
J5	Jack Socket Kit	1	-	-	-	(650620)	(650620)
J6	Jack Socket Kit	1	-	-	-	-	(650620)
R1	Resistor, 2% 2W 0.1Ohms	1	(650766-01)	(650766-01)	(650766-01)	(650766-01)	(650766-01)
LP1-8							
LP41,42	Mov 20MM 47V, 2000A	10	650796	650796	650796	650796	650796
LP9-12	Mov 20MM 47V, 2000A	4	650796	650796	650796	650796	650796
LP13-16	Mov 20MM 47V, 2000A	4	-	650796	650796	650796	650796
LP17-24	Mov 20MM 47V, 2000A	8	-	-	650796	650796	650796
LP25-32	Mov 20MM 47V, 2000A	8	-	-	-	650796	650796
LP33-40	Mov 20MM 47V, 2000A	8	-	-	-	-	650796
J1	Header,Polzd., .100Ctrs. 50Pins	1	(650872-50)	(650872-50)	(650872-50)	(650872-50)	(650872-50)
LP44	Mov 47V. 1000A	1	650875	650875	650875	650875	650875
C1-8 C41,42	Capacitor, Ceramic Axial .01uF,100V	10	(650882-01)	(650882-01)	(650882-01)	(650882-01)	(650882-01)
C9-12	Capacitor, Ceramic Axial .01uF,100V	4	(650882-01)	(650882-01)	(650882-01)	(650882-01)	(650882-01)
C13-16	Capacitor, Ceramic Axial .01uF,100V	4	-	(650882-01)	(650882-01)	(650882-01)	(650882-01)
C17-24	Capacitor, Ceramic Axial .01uF,100V	8	-	-	(650882-01)	(650882-01)	(650882-01)
C25-32	Capacitor, Ceramic Axial .01uF,100V	8	-	-	-	(650882-01)	(650882-01)
C33-40	Capacitor, Ceramic Axial .01uF,100V	8	-	-	-	-	(650882-01)
J2	Header,Polzd.,.156Ctrs. 2Pins	1	(650893-02)	(650893-02)	(650893-02)	(650893-02)	(650893-02)
J7	Header,Polzd.,.156Ctrs. 5Pins	1	(650893-05)	(650893-05)	(650893-05)	(650893-05)	(650893-05)
TB1,2	Terminal Blk. .300SPC 1Pos	16	(651000-01)	(651000-01)	(651000-01)	(651000-01)	(651000-01)
TB3	Terminal Blk. .300SPC 1Pos	8	(651000-01)	(651000-01)	(651000-01)	(651000-01)	(651000-01)
TB4	Terminal Blk. .300SPC 1Pos	8	-	-	(651000-01)	(651000-01)	(651000-01)
TB5	Terminal Blk. .300SPC 1Pos	8	-	-	-	(651000-01)	(651000-01)
TB6	Terminal Blk. .300SPC 1Pos	8	-	-	-	-	(651000-01)
Q1-8 Q41,42	Triac, 6Amps	10	651138	651138	651138	651138	651138
Q9-12	Triac, 6Amps	4	651138	651138	651138	651138	651138
Q13-16	Triac, 6Amps	4	-	651138	651138	651138	651138
Q17-24	Triac, 6Amps	8	-	-	651138	651138	651138
Q25-32	Triac, 6Amps	8	-	-	-	651138	651138
Q33-40	Triac, 6Amps	8	-	-	-	-	651138
LP43	Mov 50V, 2500A	1	(651272)	(651272)	(651272)	(651272)	(651272)

Note: Part Numbers enclosed in brackets ( ) are not available individually, but may be sold in assemblies or kits.

ESP12RK2S/ ESP16RK2S/ ESP24RK2S/ ESP32RK2S/ ESP40RK2S  
 (TWO-WIRE COMMUNICATION, FOR STAINLESS STEEL PEDESTAL, 120 VOLT, 60 Hz)

PWB ASSY ESP-MC TWO WIRE



Ref.	Description	Qty.	12	16	24	32	40
<b>PWB ASSY ESP-MC TWO WIRE</b>							
LP2,5	Spark Gap	2	(633079-01)	(633079-01)	(633079-01)	(633079-01)	(633079-01)
-	Label, Bar Code 39	1	(624625)	(624625)	(624625)	(624625)	(624625)
-	Printed Wiring Board	1	(631356-01)	(631356-01)	(631356-01)	(631356-01)	(631356-01)
-	Printed Wiring Board	1	(633080)	(633080)	(633080)	(633080)	(633080)
U3	Prom Carrier Assy	1	(650012-15)	(650012-15)	(650012-15)	(650012-15)	(650012-15)
C1,3	Capacitor, Ceramic Disc 30pF,50V	2	(633321-04)	(633321-04)	(633321-04)	(633321-04)	(633321-04)
C4-6, C8,11, C12,14	Capacitor, Ceramic Disc 0.1uF,50V	7	(650013-45)	(650013-45)	(650013-45)	(650013-45)	(650013-45)
LP1,3,4	Mov 68V,500A	3	650016	650016	650016	650016	650016
CR1,4	Diode,Zener,500mW,8.2V	2	650038-12	650038-12	650038-12	650038-12	650038-12
C9	Capacitor,Ceramic Disc .001uF,100V	1	650070-01	650070-01	650070-01	650070-01	650070-01
C10	Capacitor,Electrl Axial 47uF,50V	1	(650040-57)	(650040-57)	(650040-57)	(650040-57)	(650040-57)
U5	IC,Opto—Isolator, Triac MOC3011	1	(650046-13)	(650046-13)	(650046-13)	(650046-13)	(650046-13)
CR2,3	Diode,Gen Purpose,1Amp	2	650077-01	650077-01	650077-01	650077-01	650077-01
CR5	Diode,Gen Purpose,1Amp	1	650077-02	650077-02	650077-02	650077-02	650077-02
R1	Resistor, Carbon Film, 1/4W 270Ohms	1	(650079-59)	(650079-59)	(650079-59)	(650079-59)	(650079-59)

Note: Part Numbers enclosed in brackets ( ) are not available individually, but may be sold in assemblies or kits.

ESP12RK2S/ ESP16RK2S/ ESP24RK2S/ ESP32RK2S/ ESP40RK2S

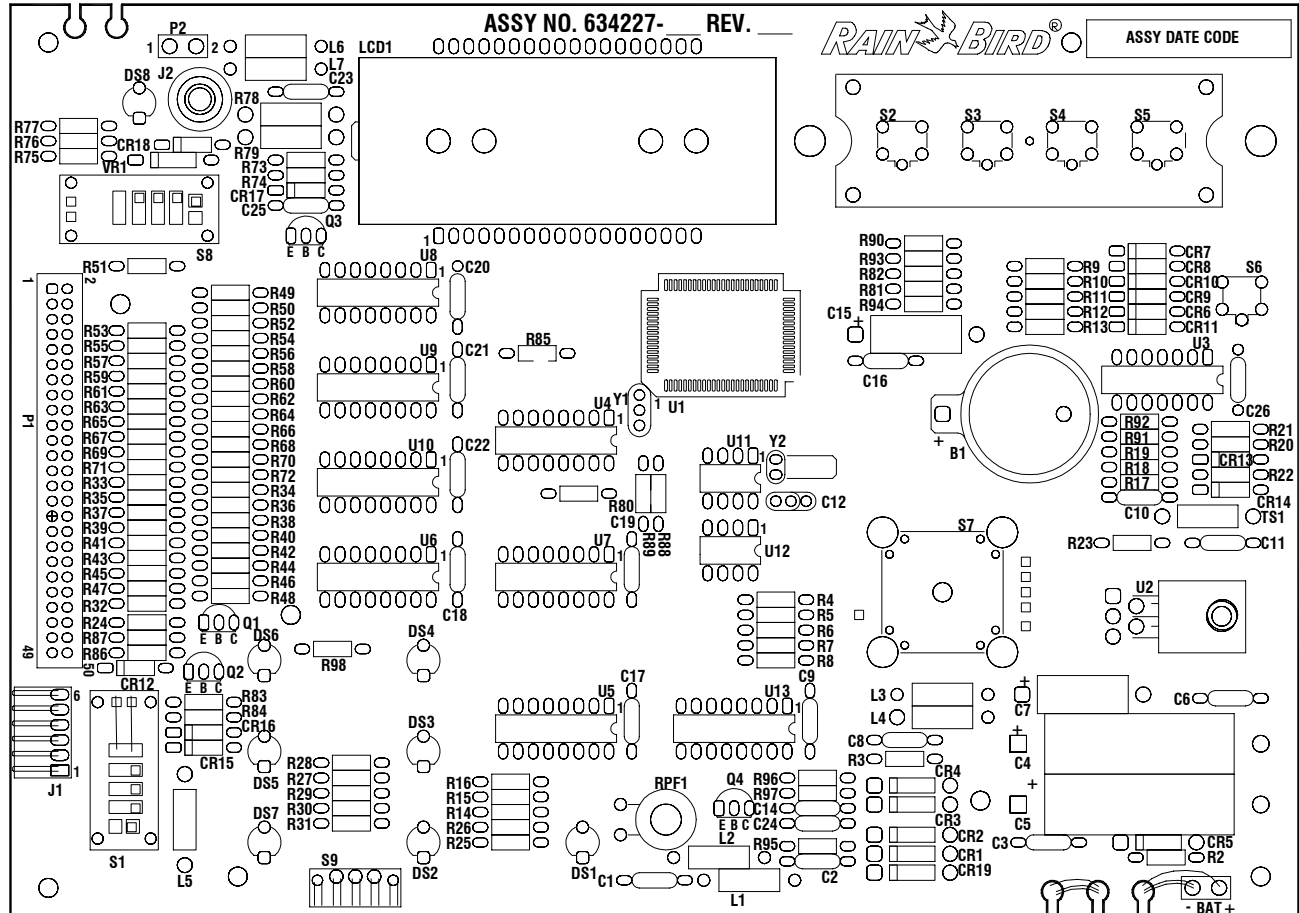
(TWO-WIRE COMMUNICATION, FOR STAINLESS STEEL PEDESTAL, 120 VOLT, 60 Hz)

Ref.	Description	Qty.	12	16	24	32	40
<b>PWB ASSY ESP-MC ASSY, CONT.</b>							
R7,10	Resistor,Carbon Fil,1/4W 1K	2	(650079-73)	(650079-73)	(650079-73)	(650079-73)	(650079-73)
R6	Resistor,carbon Film 1/4W 1.3K	1	(650079-76)	(650079-76)	(650079-76)	(650079-76)	(650079-76)
R9,11	Resistor,Carbon Film,1/4 4.7K	2	650079-89	650079-89	650079-89	650079-89	650079-89
R2,3							
R5,8	Resistor,Carbon Film,1/4W 47K	4	(650080-14)	(650080-14)	(650080-14)	(650080-14)	(650080-14)
R4	Resistor,Carbon Film, 1/4W 100K	1	(650080-22)	(650080-22)	(650080-22)	(650080-22)	(650080-22)
VR1	Heatsink, Grease	.01	(650101)	(650101)	(650101)	(650101)	(650101)
VR1	Rivet,Blind,Domehead .125Dia	1	(650139-05)	(650139-05)	(650139-05)	(650139-05)	(650139-05)
-	Solder	.01	(650160)	(650160)	(650160)	(650160)	(650160)
L1,2	Inductor,Ferrite Bead	2	650300-05	650300-05	650300-05	650300-05	650300-05
VR1	Regulator, +5V	1	650332	650332	650332	650332	650332
VR1	Regulator,Heatsink, to 220	1	(650335)	(650335)	(650335)	(650335)	(650335)
TP1	Test Point, PC Mount	1	(650336-01)	(650336-01)	(650336-01)	(650336-01)	(650336-01)
Q1	SCR	1	650375	650375	650375	650375	650375
U6	Ic,Opto-Coupler, Dual, High Gain	1	650445	650445	650445	650445	650445
U3	Socket, Prom Carrier	1	650518-02	650518-02	650518-02	650518-02	650518-02
U1	Ic,Hex Schmitt Inverter	1	650540	650540	650540	650540	650540
C7	Capacitor,Tantalum,Radial 2.2uF25V	1	650583-03	650583-03	650583-03	650583-03	650583-03
C2,13	Capacitor,Tantalum,Radial 22uF25V	2	650583-09	650583-09	650583-09	650583-09	650583-09
U2	Ic, Octal D-Type Latch	1	650611	650611	650611	650611	650611
JP2	Wire,22Awg,Auto-Inserted .500Lead	1	(650625-03)	(650625-03)	(650625-03)	(650625-03)	(650625-03)
Y1	Wire,22Awg,Auto-Inserted .500Lead	.55	(650625-03)	(650625-03)	(650625-03)	(650625-03)	(650625-03)
Y1	Crystal,Quartz 11.059MHz	1	650721	650721	650721	650721	650721
TB1	Phnx. Terminal Block .300Ctrs. 1 Pos	2	(651000-01)	(651000-01)	(651000-01)	(651000-01)	(651000-01)
J1	Header,Right,Angle .100Ctrs 6 Pins	1	(651005-06)	(651005-06)	(651005-06)	(651005-06)	(651005-06)
U4	Ic, Microprocessor	1	651031	651031	651031	651031	651031
F1,2	Polyswitch, Rxe Series	2	(651055-08)	(651055-08)	(651055-08)	(651055-08)	(651055-08)

Note: Part Numbers enclosed in brackets ( ) are not available individually, but may be sold in assemblies or kits.

ESP12RK2S/ ESP16RK2S/ ESP24RK2S/ ESP32RK2S/ ESP40RK2S  
 (TWO-WIRE COMMUNICATION, FOR STAINLESS STEEL PEDESTAL, 120 VOLT, 60 Hz)

**PWB ASSY ESP-MC ESC-1 CONTROLLER**



Ref.	Description	Qty.	12	16	24	32	40
<b>PWB ASSY ESP-MC ESC-1 CONTROLLER</b>			(634227-02)	(634227-03)	(634227-04)	(634227-05)	(634227-06)
S7	Switch Rotary	1	(630609)	(630609)	(630609)	(630609)	(630609)
S8	Switch, Slide	1	(630651)	(630651)	(630651)	(630651)	(630651)
-	Label, Bar Code 39	1	(631356-01)	(631356-01)	(631356-01)	(631356-01)	(631356-01)
LCD1	Spacer, LCD	1	(632046)	(632046)	(632046)	(632046)	(632046)
P2	Sensor Cable	1	(632048-01)	(632048-01)	(632048-01)	(632048-01)	(632048-01)
J2	Spring, Shield .70 Long	1	(632898-01)	(632898-01)	(632898-01)	(632898-01)	(632898-01)
LCD1	Liquid, Crystal Display	1	(633087)	(633087)	(633087)	(633087)	(633087)
U1	Microcomp., Toshiba, OTP	1	(633088)	(633088)	(633088)	(633088)	(633088)
P1	Ribbon Cable Assy 50Ckts	1	(633090)	(633090)	(633090)	(633090)	(633090)
-	Printed Wiring Board	1	(634228)	(634228)	(634228)	(634228)	(634228)
C12	Capacitor, ceramic radial 6pF, 50V	1	(650012-04)	(650012-04)	(650012-04)	(650012-04)	(650012-04)
U2	Washer, Flat, carbon Steel	1	(650023-03)	(650023-03)	(650023-03)	(650023-03)	(650023-03)

Note: Part Numbers enclosed in brackets ( ) are not available individually, but may be sold in assemblies or kits.

ESP12RK2S/ ESP16RK2S/ ESP24RK2S/ ESP32RK2S/ ESP40RK2S

(TWO-WIRE COMMUNICATION, FOR STAINLESS STEEL PEDESTAL, 120 VOLT, 60 Hz)

Ref.	Description	Qty.	12	16	24	32	40
<b>PWB ASSY ESP-MC ESC-1 CONTROLLER, CONT.</b>							
CR6	Diode, Switching	1	650037-01	650037-01	650037-01	650037-01	650037-01
CR7	Diode, Switching	1	650037-01	-	650037-01	-	650037-01
CR8	Diode, Switching	1	-	650037-01	650037-01	-	-
CR9	Diode, Switching	1	-	-	-	650037-01	650037-01
CR11-18	Diode, Switching	8	650037-01	650037-01	650037-01	650037-01	650037-01
VR1	Diode, Zener, 500mW, 5.6V	1	(650038-71)	(650038-71)	(650038-71)	(650038-71)	(650038-71)
C7, 15	Capacitor, Electrolytic, Axial 47uF, 10V	2	(650044-03)	(650044-03)	(650044-03)	(650044-03)	(650044-03)
BAT	Battery Snap 9V	1	650075	650075	650075	650075	650075
CR1-5 C19	Diode, Gen Purpose, 1Amp	6	650077-02	650077-02	650077-02	650077-02	650077-02
R23, 85 R98	Resistor, Carbon Film, 1/4W, 10Ohms	2	(650079-25)	(650079-25)	(650079-25)	(650079-25)	(650079-25)
R49-56 R24, 32,	Resistor, Carbon Film 1/4W, 150Ohms	11	(650079-53)	(650079-53)	(650079-53)	(650079-53)	(650079-53)
R57-60	Resistor, Carbon Film 1/4W, 150Ohms	4	(650079-53)	(650079-53)	(650079-53)	(650079-53)	(650079-53)
R61-64	Resistor, Carbon Film 1/4W, 150Ohms	4	-	(650079-53)	(650079-53)	(650079-53)	(650079-53)
R65-72	Resistor, Carbon Film 1/4W, 150Ohms	8	-	-	(650079-53)	(650079-53)	(650079-53)
R33-40	Resistor, Carbon Film 1/4W, 150Ohms	8	-	-	-	(650079-53)	(650079-53)
R41-48	Resistor, Carbon Film 1/4W, 150Ohms	8	-	-	-	-	(650079-53)
R25-31	Resistor, Carbon Film 1/4W 470Ohms	7	(650079-65)	(650079-65)	(650079-65)	(650079-65)	(650079-65)
R17, 95	Resistor, Carbon Film, 1/4W, 1KOhm	2	(650079-73)	(650079-73)	(650079-73)	(650079-73)	(650079-73)
R76	Resistor, Carbon Film, 1/4W, 2KOhms	1	(650079-80)	(650079-80)	(650079-80)	(650079-80)	(650079-80)
R2	Resistor, Carbon Film, 1/4W 3.3KOhms	1	(650079-85)	(650079-85)	(650079-85)	(650079-85)	(650079-85)
R88-90 R84, 87 R20-22	Resistor, Carbon Film, 1/4W, 4.7KOhms	8	650079-89	650079-89	650079-89	650079-89	650079-89
R92	Resistor, Carbon Film, 1/4W, 8.2KOhms	1	(650079-95)	(650079-95)	(650079-95)	(650079-95)	(650079-95)
R19, 91	Resistor, Carbon Film, 1/4W, 10Kohms	2	(650079-97)	(650079-97)	(650079-97)	(650079-97)	(650079-97)
R83, 86 R18, 80 R94	Resistor, Carbon Film, 1/4W, 47KOhms	4	(650080-14)	(650080-14)	(650080-14)	(650080-14)	(650080-14)
R82, 93, R43, 81 R4-16	Resistor, Carbon Film, 1/4W 100Kohms	18	(650080-22)	(650080-22)	(650080-22)	(650080-22)	(650080-22)
R96, 97 R74, 75 R3	Resistor, Carbon Film, 1/4W, 220KOhms	5	(650080-30)	(650080-30)	(650080-30)	(650080-30)	(650080-30)
C20, 24 C16, 17 C10, 14 C3, 8, 9	Capacitor, Ceramic Axial .1uF, 50V	9	(650085-55)	(650085-55)	(650085-55)	(650085-55)	(650085-55)

Note: Part Numbers enclosed in brackets ( ) are not available individually, but may be sold in assemblies or kits.

ESP12RK2S/ ESP16RK2S/ ESP24RK2S/ ESP32RK2S/ ESP40RK2S

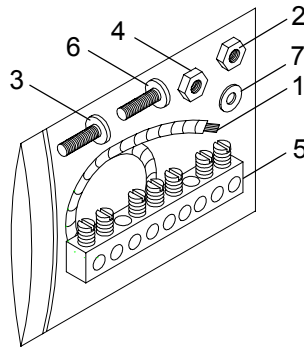
(TWO-WIRE COMMUNICATION, FOR STAINLESS STEEL PEDESTAL, 120 VOLT, 60 Hz)

Ref.	Description	Qty.	12	16	24	32	40
<b>PWB ASSY ESP-MC ESC-1 CONTROLLER, CONT.</b>							
C21	Capacitor,Ceramic Axial .1uF,50V	1	(650085-55)	(650085-55)	(650085-55)	(650085-55)	(650085-55)
C22	Capacitor,Ceramic Axial .1uF,50V	1	-	-	(650085-55)	(650085-55)	(650085-55)
C18	Capacitor,Ceramic Axial .1uF,50V	1	-	-	-	(650085-55)	(650085-55)
C19	Capacitor,Ceramic Axial .1uF,50V	1	-	-	-	-	(650085-55)
U2	Rivet,Blind Dome HD. .125Dia	1	(650139-05)	(650139-05)	(650139-05)	(650139-05)	(650139-05)
R78,79	Resistor,Carbon Film,1/2W,1KOhms	2	(650202-73)	(650202-73)	(650202-73)	(650202-73)	(650202-73)
L1-7	Inductor,Ferrite Bead	7	650300-05	650300-05	650300-05	650300-05	650300-05
U3	IC Quad OP Amp	1	650358	650358	650358	650358	650358
Q3,4	Transistor,NPN, 624mW	2	650367	650367	650367	650367	650367
Q1,2	Transistor,PNP	2	650369	650369	650369	650369	650369
Y2	Crystal,Quartz 32.768KHz	1	(650484)	(650484)	(650484)	(650484)	(650484)
TS1	Transient Suppressor 6.8V	1	(650595-01)	(650595-01)	(650595-01)	(650595-01)	(650595-01)
C5	Capacitor,Electrolyt,Axial 330uF,25V	1	(650624)	(650624)	(650624)	(650624)	(650624)
U4	3-8 Line Decoder	1	650699	650699	650699	650699	650699
S2,3,4 S5,6	Switch, Pushbutton	5	(650748)	(650748)	(650748)	(650748)	(650748)
C23,25 C1,2,11	Capacitor,ceramic Axial .01uF,100V	5	(650882-01)	(650882-01)	(650882-01)	(650882-01)	(650882-01)
C6	Capacitor,NPO,Axial 10pF,100V	1	(650883-13)	(650883-13)	(650883-13)	(650883-13)	(650883-13)
C26	Capacitor,NPO,Axial 220pF,100V	1	(650883-17)	(650883-17)	(650883-17)	(650883-17)	(650883-17)
U5,8	8Bit Addressable Latch	2	650889	650889	650889	650889	650889
U9	8Bit Addressable Latch	1	650889	650889	650889	650889	650889
U10	8Bit Addressable Latch	1	-	-	650889	650889	650889
U6	8Bit Addressable Latch	1	-	-	-	650889	650889
U7	8Bit Addressable Latch	1	-	-	-	-	650889
DS1-8	Led,red,.200Ctrs.	8	650910	650910	650910	650910	650910
U2	Regulator,Low Dropout	1	(650962)	(650962)	(650962)	(650962)	(650962)
J2	Eyelet, Spring	1	(650985)	(650985)	(650985)	(650985)	(650985)
J1	Header,Polzd.Radial,.100Ctrs 6Pins	1	(651005-06)	(651005-06)	(651005-06)	(651005-06)	(651005-06)
B1	Battery, Lithium	1	(651009)	(651009)	(651009)	(651009)	(651009)
B1	Holder,Battery Coin	1	(651010)	(651010)	(651010)	(651010)	(651010)
U11	IC,Real Time Clock	1	(651011)	(651011)	(651011)	(651011)	(651011)
U12	IC,EEPROM-4K Byte, Serial	1	(651012)	(651012)	(651012)	(651012)	(651012)
Y1	Resonator,ceramic 8.00MHz	1	(651013)	(651013)	(651013)	(651013)	(651013)
U13	IC,8Bit Input Mux	1	(651014)	(651014)	(651014)	(651014)	(651014)
C4	Capacitor,Electrolyt,Axial 1000uF,25V	1	(651054-12)	(651054-12)	(651054-12)	(651054-12)	(651054-12)
RPF1	Polyswitch,RXE,60V,.65A	1	(651055-08)	(651055-08)	(651055-08)	(651055-08)	(651055-08)
S9	Switch Slide	1	(651292)	(651292)	(651292)	(651292)	(651292)

Note: Part Numbers enclosed in brackets ( ) are not available individually, but may be sold in assemblies or kits.

ESP12RK2S/ ESP16RK2S/ ESP24RK2S/ ESP32RK2S/ ESP40RK2S

(TWO-WIRE COMMUNICATION, FOR STAINLESS STEEL PEDESTAL, 120 VOLT, 60 Hz)

**BAR BUS MOUNTING KIT**

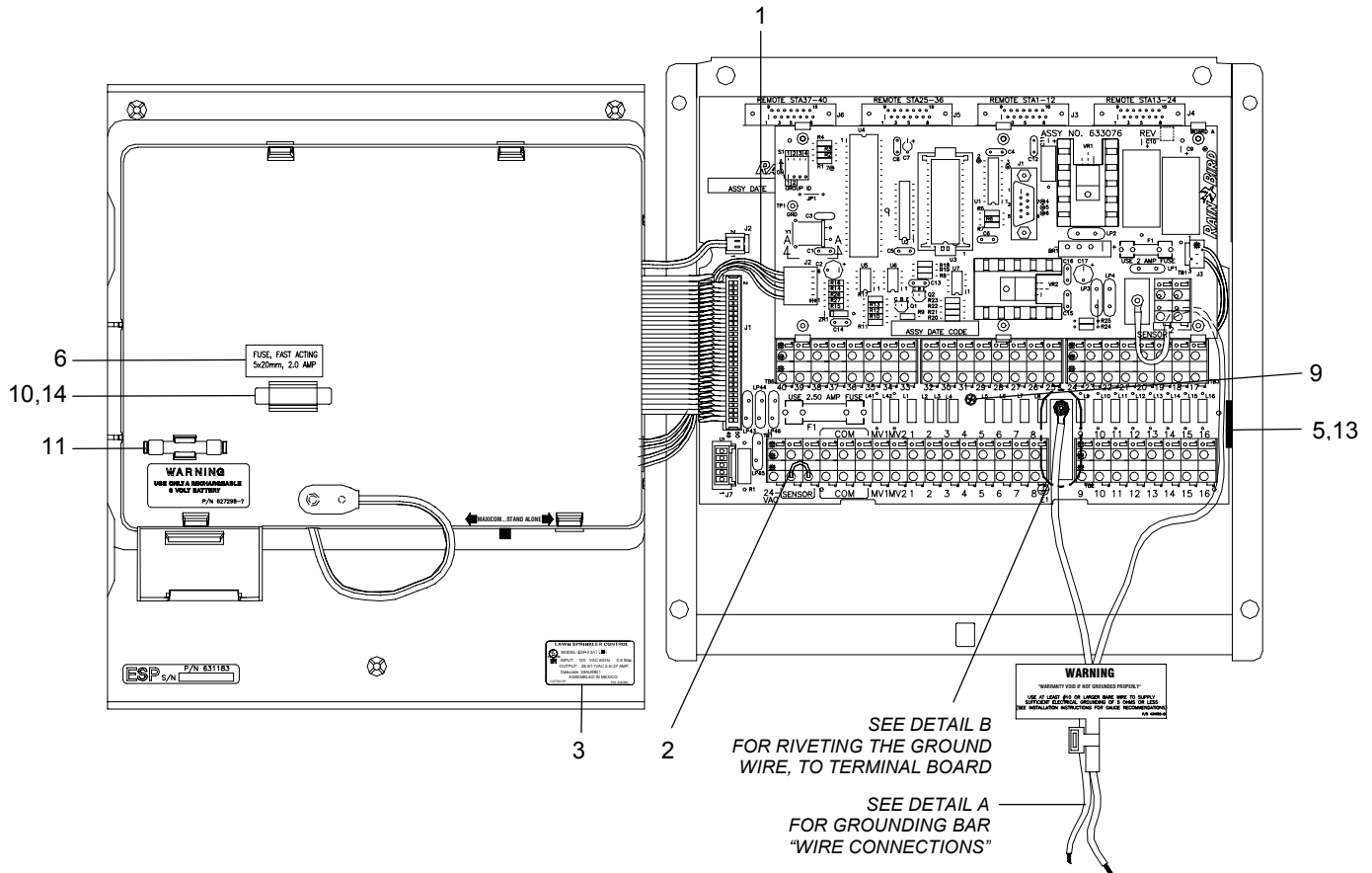
Ref.	Description	Qty.	12	16	24	32	40
<b>ACCESSORIES</b>							
-	Locknut Conduit	1	(628013)	(628013)	(628013)	(628013)	(628013)
-	Bag, Poly 4 x 5	2	(628282-06)	(628282-06)	(628282-06)	(628282-06)	(628282-06)
-	Card, Costumer Registration-Tm	1	(632354)	(632354)	(632354)	(632354)	(632354)
-	Xfmr Assy, 11&26 Volt	1	633148-01	633148-01	633148-01	633148-01	633148-01
-	Xfmr, Power-26.5 Vac/60Hz	1	(633146)	(633146)	(633146)	(633146)	(633146)
-	Cable Tie, Nylon 7/8 Bundle	1	650131	650131	650131	650131	650131
-	Terminal Crimp Molex	5	(650323)	(650323)	(650323)	(650323)	(650323)
-	Housing Crimp Terminal 5 Circ	1	(650873-05)	(650873-05)	(650873-05)	(650873-05)	(650873-05)
-	Instructions, Instl&oper	1	633686	633686	633686	633686	633686
-	Instr, Instal & Oper, Span	1	(633696)	(633696)	(633696)	(633696)	(633696)
-	Bracket, Xfmr Esp-Sat Retro Ped	1	(633745)	(633745)	(633745)	(633745)	(633745)
-	Connector, Xfmr, Retrofit	1	(633748)	(633748)	(633748)	(633748)	(633748)
-	Instructions, Instal	1	(633819)	(633819)	(633819)	(633819)	(633819)
-	Sheet, Info, Retro Pilot	1	(633894)	(633894)	(633894)	(633894)	(633894)
-	Guide, Operations Adden	1	(633942)	(633942)	(633942)	(633942)	(633942)
-	Bar, Bus Mounting Kit	1	(634986)	(634986)	(634986)	(634986)	(634986)
1	Ground Wire Assy 12 Awg (15)	1	(634943-15)	(634943-15)	(634943-15)	(634943-15)	(634943-15)
2	Nut, Pl, Hex, #8-32, Cres, Psvtd	4	(650033-04)	(650033-04)	(650033-04)	(650033-04)	(650033-04)
3	Screw 8-32	4	(650105-48)	(650105-48)	(650105-48)	(650105-48)	(650105-48)
4	Nut, #8-32 Hex W/Star Washer	4	(650634-04)	(650634-04)	(650634-04)	(650634-04)	(650634-04)
-	Bag, Zip Lock, Plastic, 2.5x3	1	(650924-03)	(650924-03)	(650924-03)	(650924-03)	(650924-03)
5	Bar Bus Grounding	2	(651440)	(651440)	(651440)	(651440)	(651440)
6	Screw, Rnd Hd Tamper Proof #8	2	(651457)	(651457)	(651457)	(651457)	(651457)
7	Washer, Ss With Neoprene #8	2	(651458)	(651458)	(651458)	(651458)	(651458)
-	Grounding Int. Addendum Ss Ccont	1	(635009)	(635009)	(635009)	(635009)	(635009)
-	Washer, Flat #8 .032	4	(650023-10)	(650023-10)	(650023-10)	(650023-10)	(650023-10)
-	Screw, Mach, Phn, 8-32, 2 1/2 Cres	4	(650106-55)	(650106-55)	(650106-55)	(650106-55)	(650106-55)
-	Screw, Phh, Rnd, Wshr,Hd, Type B	4	650565-28	650565-28	650565-28	650565-28	650565-28
-	Nut, Speed, U-Type, 6AB Thread	4	(650684)	(650684)	(650684)	(650684)	(650684)
-	Battery, Nicad 7.2V	1	650929	650929	650929	650929	650929
-	Lock Washer, External Tooth	1	(651389)	(651389)	(651389)	(651389)	(651389)

Note: Part Numbers enclosed in brackets ( ) are not available individually, but may be sold in assemblies or kits.



ESP12RKLS/ ESP16RKLS/ ESP24RKLS/ ESP32RKLS/ ESP40RKLS  
 (LINK RADIO COMMUNICATION, FOR STAINLESS STEEL PEDESTAL, 120 VOLT, 60 Hz)

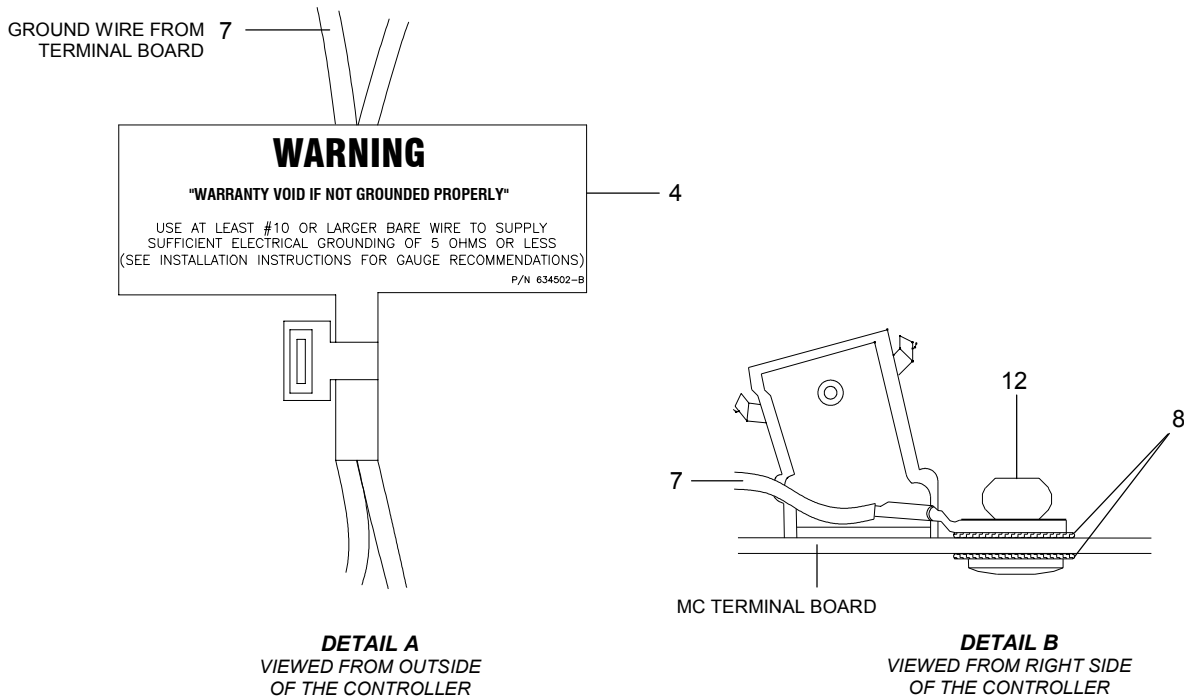
**BRACKET ASSY ESP-SAT RFK**



Ref.	Description	Qty.	12	16	24	32	40
<b>BRACKET ASSY ESP-SAT RFK</b>							
-	Spacer, Terminal Board	1	(633814-14)	(633814-15)	(633814-16)	(633814-17)	(633814-18)
1	Cable Assy, 2Wire/Link Intfc-Mc	1	(631919)	(631919)	(631919)	(631919)	(631919)
2	Sensor Jumper Wire	1	(633442)	(633442)	(633442)	(633442)	(633442)
-	Bracket, Ss, Ped, Retrofit	1	(633744)	(633744)	(633744)	(633744)	(633744)
3	Label, Rating	1	(634385-09)	(634385-09)	(634385-09)	(634385-09)	(634385-09)
4	Label Warning Grounding	1	(634502)	(634502)	(634502)	(634502)	(634502)
5	Label, Warning Corrosion Inhib	1	(634558)	(634558)	(634558)	(634558)	(634558)
6	Label Fuse 2.0 Amp.	1	(634616)	(634616)	(634616)	(634616)	(634616)
7	Ground Wire Assy 12 Awg (11)	1	(634943-11)	(634943-11)	(634943-11)	(634943-11)	(634943-11)
-	Washer, Flat #10 .032	4	(650023-13)	(650023-13)	(650023-13)	(650023-13)	(650023-13)
-	Cable Tie, Nylon 7/8 Bundle	1	650131	650131	650131	650131	650131
8	Wshr Lk, #10, Ext-Tooth, Z-Pltd	2	(650162-04)	(650162-04)	(650162-04)	(650162-04)	(650162-04)
9	Screw Phl Pnh Hi-Lo 7-19x1/2	3	(650183-63)	(650183-63)	(650183-63)	(650183-63)	(650183-63)
10	Fuse 5x20MM 2Amps	1	(650307-03)	(650307-03)	(650307-03)	(650307-03)	(650307-03)
11	Fuse, Slowblow, 250V, 2-1/2 Amp	1	(650431-28)	(650431-28)	(650431-28)	(650431-28)	(650431-28)
12	Rivet, Blind 0.19	5	(650434-13)	(650434-13)	(650434-13)	(650434-13)	(650434-13)

Note: Part Numbers enclosed in brackets ( ) are not available individually, but may be sold in assemblies or kits.

ESP12RKLS/ ESP16RKLS/ ESP24RKLS/ ESP32RKLS/ ESP40RKLS  
 (LINK RADIO COMMUNICATION, FOR STAINLESS STEEL PEDESTAL, 120 VOLT, 60 Hz)

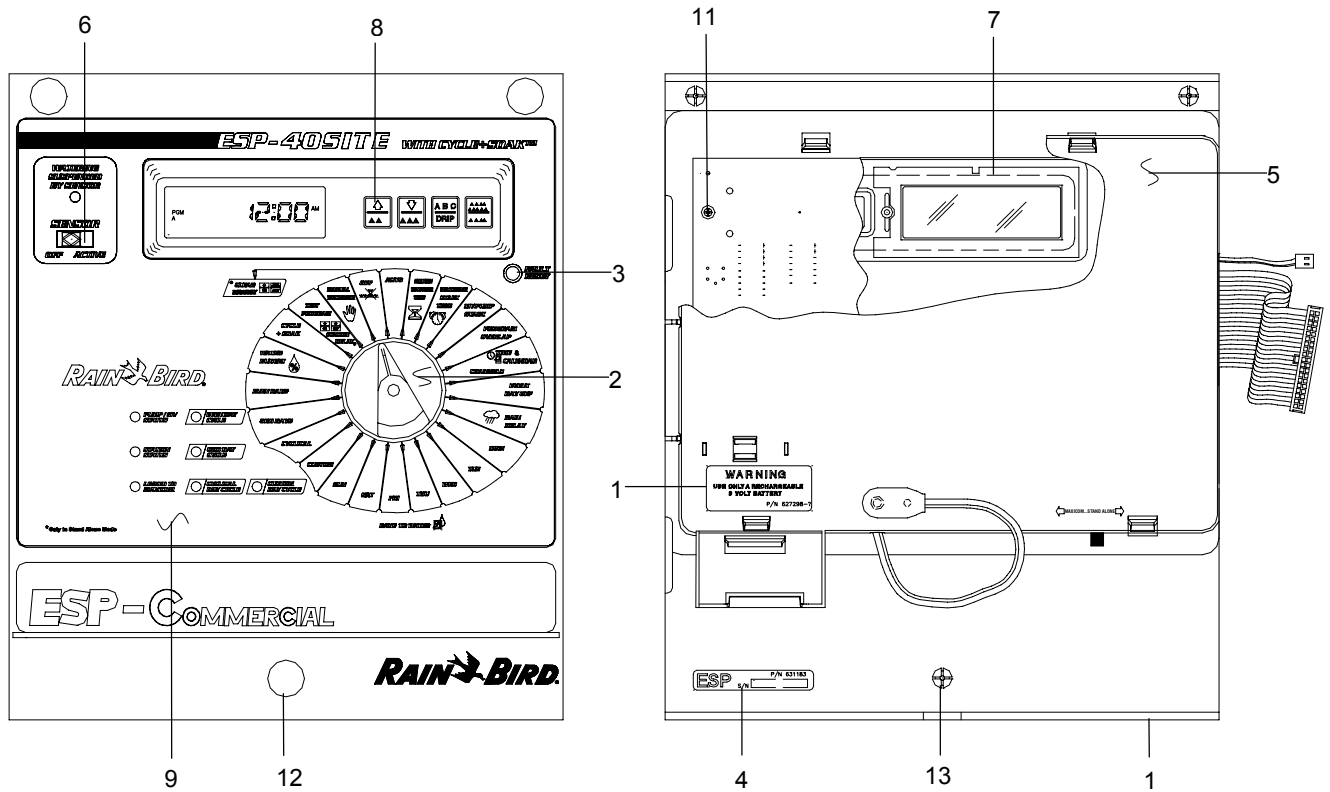


Ref.	Description	Qty.	12	16	24	32	40
<b>BRACKET ASSY ESP-SAT RFK, CONT.</b>							
-	Spacer, Circuit Board, Edge Hold	6	(650912-10)	(650912-10)	(650912-10)	(650912-10)	(650912-10)
13	Impregnated Foam Corrosion Inh	1	(651331)	(651331)	(651331)	(651331)	(651331)
14	Holder Fuse	1	(651384)	(651384)	(651384)	(651384)	(651384)
<b>ACCESSORIES</b>							
-	Locknut Conduit	1	(628013)	(628013)	(628013)	(628013)	(628013)
-	Bag, Poly 4 x 5	2	(628282-06)	(628282-06)	(628282-06)	(628282-06)	(628282-06)
-	Card, Costumer Registration-Tm	1	(632354)	(632354)	(632354)	(632354)	(632354)
-	Xfmr Assy, Link, 120V	1	633165-01	633165-01	633165-01	633165-01	633165-01
-	Instructions, Instl&oper	1	633686	633686	633686	633686	633686
-	Instr, Instal & Oper, Span	1	(633696)	(633696)	(633696)	(633696)	(633696)
-	Bracket, Xfmr Esp-Sat Retro Ped	1	(633745)	(633745)	(633745)	(633745)	(633745)
-	Connector, Xfmr, Retrofit	1	(633748)	(633748)	(633748)	(633748)	(633748)
-	Instructions, Instal	1	(633819)	(633819)	(633819)	(633819)	(633819)
-	Sheet, Info, Retro Pilot	1	(633894)	(633894)	(633894)	(633894)	(633894)
-	Guide, Operations Adden	1	(633942)	(633942)	(633942)	(633942)	(633942)
-	Grounding Int. Addendum Ss Cont	1	(635009)	(635009)	(635009)	(635009)	(635009)
-	Washer, Flat #8 .032	4	(650023-10)	(650023-10)	(650023-10)	(650023-10)	(650023-10)
-	Screw, Mach, Phn, 8-32, 2 1/2 Cres	4	(650106-55)	(650106-55)	(650106-55)	(650106-55)	(650106-55)
-	Screw, Phh, Rnd, Hd, Type, B	4	650565-28	650565-28	650565-28	650565-28	650565-28
-	Nut, Speed, U-Type, 6AB Thread	4	(650684)	(650684)	(650684)	(650684)	(650684)
-	Battery, Nicad 7.2V	1	650929	650929	650929	650929	650929
-	Lock Washer, External Tooth	1	(651389)	(651389)	(651389)	(651389)	(651389)

Note: Part Numbers enclosed in brackets ( ) are not available individually, but may be sold in assemblies or kits.

ESP12RKLS/ ESP16RKLS/ ESP24RKLS/ ESP32RKLS/ ESP40RKLS  
 (LINK RADIO COMMUNICATION, FOR STAINLESS STEEL PEDESTAL, 120 VOLT, 60 Hz)

**FRONT PANEL ASSEMBLY**

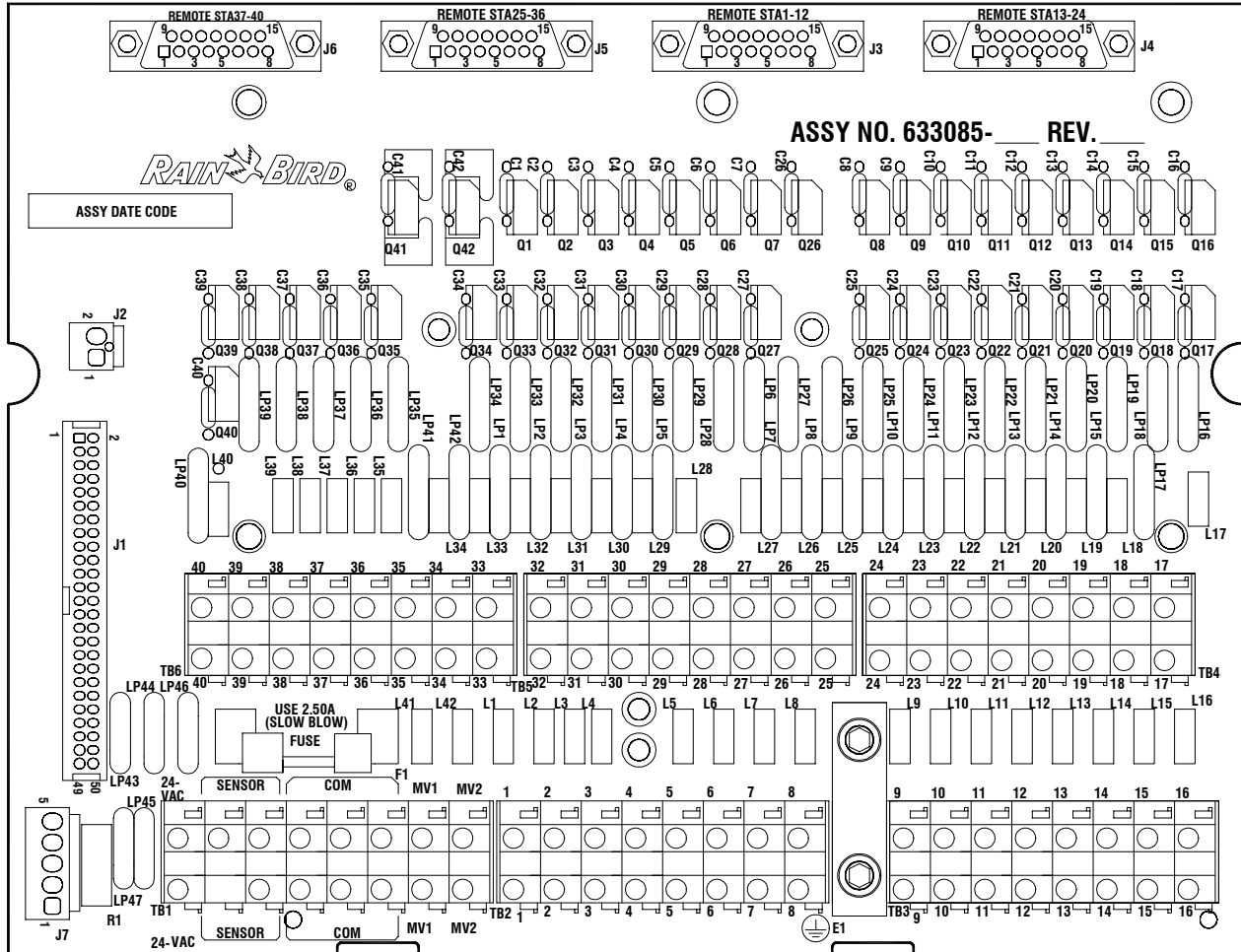


Ref.	Description	Qty.	12	16	24	32	40
<b>FRONT PANEL ASSEMBLY</b>			(633815-02)	(633815-03)	(633815-04)	(633815-05)	(633815-06)
1	Label Warning Cic 8/12	1	(627298)	(627298)	(627298)	(627298)	(627298)
2	Funct Select Knob Assy, Gray	1	(630946)	(630946)	(630946)	(630946)	(630946)
-	Esp Funct Select Knob, Gray	1	(630947)	(630947)	(630947)	(630947)	(630947)
-	Ring Compression	1	(650505-06)	(650505-06)	(650505-06)	(650505-06)	(650505-06)
3	Button, Tm Pb Switch	1	(631136)	(631136)	(631136)	(631136)	(631136)
4	Label, Serial	1	(631183)	(631183)	(631183)	(631183)	(631183)
5	Cover, Pwb	1	(631920)	(631920)	(631920)	(631920)	(631920)
6	Switch, Asctuator-Paragon	1	(632510)	(632510)	(632510)	(632510)	(632510)
7	Lens, Lcd-Esp-C/Lx	1	632700	632700	632700	632700	632700
8	Keypad, Silicone	1	(632908)	(632908)	(632908)	(632908)	(632908)
9	Overlay, Fr Panel, 12Sta, Esp-Sat	1	(633324-02)	(633324-03)	(633324-04)	(633324-05)	(633324-06)
10	Retro Kit Assy, Frt Pnl-Esp-Sat	1	(633871)	(633871)	(633871)	(633871)	(633871)
-	Shield, Front Panel	1	(632897)	(632897)	(632897)	(632897)	(632897)
-	Front Panel,Sub-Assy,P/Esp-St	1	(633810)	(633810)	(633810)	(633810)	(633810)
-	Front Panel Esp-Mc	1	(631918)	(631918)	(631918)	(631918)	(631918)
11	Screw, 4-24 x 5/16 Hi-Lo W/Wshr	5	(650563-23)	(650563-23)	(650563-23)	(650563-23)	(650563-23)
12	Lock, Plunger	3	(650927-02)	(650927-02)	(650927-02)	(650927-02)	(650927-02)
13	Lock, Grommet	3	(650928-02)	(650928-02)	(650928-02)	(650928-02)	(650928-02)

Note: Part Numbers enclosed in brackets ( ) are not available individually, but may be sold in assemblies or kits.

ESP12RKLS/ ESP16RKLS/ ESP24RKLS/ ESP32RKLS/ ESP40RKLS  
 (LINK RADIO COMMUNICATION, FOR STAINLESS STEEL PEDESTAL, 120 VOLT, 60 Hz)

PWB ASSY TERMINAL



Ref.	Description	Qty.	12	16	24	32	40
<b>PWB ASSY TERMINAL</b>			(633085-02)	(633085-03)	(633085-04)	(633085-05)	(633085-06)
LP45,47	Mov 56V, 1000A	2	624624	624624	624624	624624	624624
LP46	Mov 56V, 1000A	1	624624	624624	624624	624624	624624
-	Label bar code 39	1	(631356-01)	(631356-01)	(631356-01)	(631356-01)	(631356-01)
-	Printed Wiring Board	1	(633086)	(633086)	(633086)	(633086)	(633086)
-	Fuse clip	2	(650098)	(650098)	(650098)	(650098)	(650098)
-	Solder	.01	(650160)	(650160)	(650160)	(650160)	(650160)
L41,42 L1-8	Inductor Ferrite Bead	10	650300-05	650300-05	650300-05	650300-05	650300-05
L9-12	Inductor Ferrite Bead	4	650300-05	650300-05	650300-05	650300-05	650300-05
L13-16	Inductor Ferrite Bead	4	-	650300-05	650300-05	650300-05	650300-05
L9-12	Inductor Ferrite Bead	4	650300-05	650300-05	650300-05	650300-05	650300-05

Note: Part Numbers enclosed in brackets ( ) are not available individually, but may be sold in assemblies or kits.

ESP12RKLS/ ESP16RKLS/ ESP24RKLS/ ESP32RKLS/ ESP40RKLS

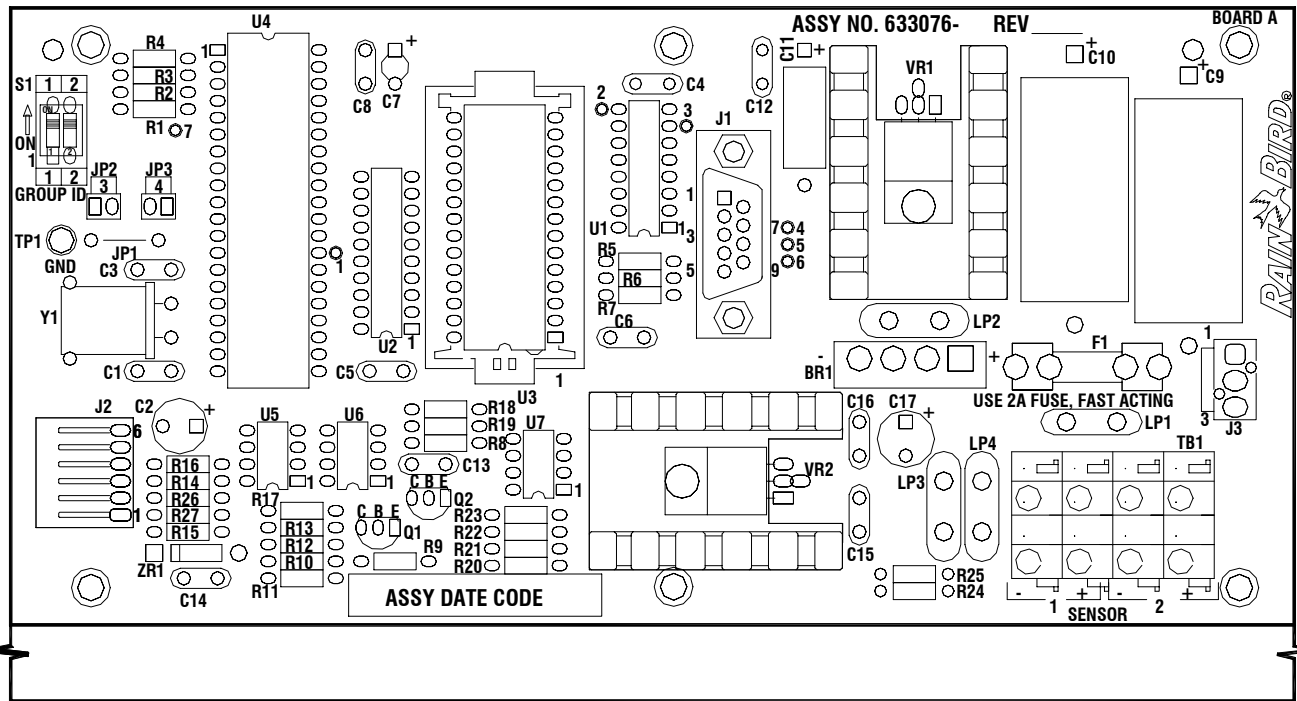
(LINK RADIO COMMUNICATION, FOR STAINLESS STEEL PEDESTAL, 120 VOLT, 60 Hz)

Ref.	Description	Qty.	12	16	24	32	40
<b>PWB ASSY TERMINAL, CONT.</b>							
L13-16	Inductor Ferrite Bead	4	-	650300-05	650300-05	650300-05	650300-05
L17-24	Inductor Ferrite Bead	8	-	-	650300-05	650300-05	650300-05
L25-32	Inductor Ferrite Bead	8	-	-	-	650300-05	650300-05
L33-40	Inductor Ferrite Bead	8	-	-	-	-	650300-05
-	Fuse 2.5Amp	1	(650431-28)	(650431-28)	(650431-28)	(650431-28)	(650431-28)
J3	Connector, DB15S 15 Pins	1	(650610-06)	(650610-06)	(650610-06)	(650610-06)	(650610-06)
J4	Connector, DB15S 15 Pins	1	-	(650610-06)	(650610-06)	(650610-06)	(650610-06)
J5	Connector, DB15S 15 Pins	1	-	-	-	(650610-06)	(650610-06)
J6	Connector, DB15S 15 Pins	1	-	-	-	-	(650610-06)
J3	Jack Socket Kit	1	(650620)	(650620)	(650620)	(650620)	(650620)
J4	Jack Socket Kit	1	-	(650620)	(650620)	(650620)	(650620)
J5	Jack Socket Kit	1	-	-	-	(650620)	(650620)
J6	Jack Socket Kit	1	-	-	-	-	(650620)
R1	Resistor, 2% 2W 0.1Ohms	1	(650766-01)	(650766-01)	(650766-01)	(650766-01)	(650766-01)
LP1-8							
LP41,42	Mov 20MM 47V, 2000A	10	650796	650796	650796	650796	650796
LP9-12	Mov 20MM 47V, 2000A	4	650796	650796	650796	650796	650796
LP13-16	Mov 20MM 47V, 2000A	4	-	650796	650796	650796	650796
LP17-24	Mov 20MM 47V, 2000A	8	-	-	650796	650796	650796
LP25-32	Mov 20MM 47V, 2000A	8	-	-	-	650796	650796
LP33-40	Mov 20MM 47V, 2000A	8	-	-	-	-	650796
J1	Header, Polzd., .100Ctrs. 50Pins	1	(650872-50)	(650872-50)	(650872-50)	(650872-50)	(650872-50)
LP44	Mov 47V. 1000A	1	650875	650875	650875	650875	650875
C1-8 C41,42	Capacitor, Ceramic Axial .01uF,100V	10	(650882-01)	(650882-01)	(650882-01)	(650882-01)	(650882-01)
C9-12	Capacitor, Ceramic Axial .01uF,100V	4	(650882-01)	(650882-01)	(650882-01)	(650882-01)	(650882-01)
C13-16	Capacitor, Ceramic Axial .01uF,100V	4	-	(650882-01)	(650882-01)	(650882-01)	(650882-01)
C17-24	Capacitor, Ceramic Axial .01uF,100V	8	-	-	(650882-01)	(650882-01)	(650882-01)
C25-32	Capacitor, Ceramic Axial .01uF,100V	8	-	-	-	(650882-01)	(650882-01)
C33-40	Capacitor, Ceramic Axial .01uF,100V	8	-	-	-	-	(650882-01)
J2	Header, Polzd., .156Ctrs. 2Pins	1	(650893-02)	(650893-02)	(650893-02)	(650893-02)	(650893-02)
J7	Header, Polzd., .156Ctrs. 5Pins	1	(650893-05)	(650893-05)	(650893-05)	(650893-05)	(650893-05)
TB1,2	Terminal Blk. .300SPC 1Pos	16	(651000-01)	(651000-01)	(651000-01)	(651000-01)	(651000-01)
TB3	Terminal Blk. .300SPC 1Pos	8	(651000-01)	(651000-01)	(651000-01)	(651000-01)	(651000-01)
TB4	Terminal Blk. .300SPC 1Pos	8	-	-	(651000-01)	(651000-01)	(651000-01)
TB5	Terminal Blk. .300SPC 1Pos	8	-	-	-	(651000-01)	(651000-01)
TB6	Terminal Blk. .300SPC 1Pos	8	-	-	-	-	(651000-01)
Q1-8 Q41,42	Triac, 6Amps	10	651138	651138	651138	651138	651138
Q9-12	Triac, 6Amps	4	651138	651138	651138	651138	651138
Q13-16	Triac, 6Amps	4	-	651138	651138	651138	651138
Q17-24	Triac, 6Amps	8	-	-	651138	651138	651138
Q25-32	Triac, 6Amps	8	-	-	-	651138	651138
Q33-40	Triac, 6Amps	8	-	-	-	-	651138
LP43	Mov 50V, 2500A	1	(651272)	(651272)	(651272)	(651272)	(651272)

Note: Part Numbers enclosed in brackets ( ) are not available individually, but may be sold in assemblies or kits.

ESP12RKLS/ ESP16RKLS/ ESP24RKLS/ ESP32RKLS/ ESP40RKLS  
 (LINK RADIO COMMUNICATION, FOR STAINLESS STEEL PEDESTAL, 120 VOLT, 60 Hz)

PWB ASSY ESP-MC LINK



Ref.	Description	Qty.	12	16	24	32	40
<b>PWB ASSY ESP-MC LINK</b>							
S1	Dip Switch, Spst	1	(633076-01)	(633076-01)	(633076-01)	(633076-01)	(633076-01)
-	Label, bar Code 39	1	(631012-02)	(631012-02)	(631012-02)	(631012-02)	(631012-02)
-	Printed Wiring Board	1	(631356-01)	(631356-01)	(631356-01)	(631356-01)	(631356-01)
U3	Prom Carrier Assy	1	(633077)	(633077)	(633077)	(633077)	(633077)
-	Label, Mat. Brady .375 x 1.00	1	633323-03	633323-03	633323-03	633323-03	633323-03
-	Carrier Ic 28 Pin	1	(632347-02)	(632347-02)	(632347-02)	(632347-02)	(632347-02)
-	Ic 27c256, Dip Eprom	1	(650517-02)	(650517-02)	(650517-02)	(650517-02)	(650517-02)
-		1	(650715)	(650715)	(650715)	(650715)	(650715)
C1,3	Capacitor, Ceramic Disc 30pF, 50V	2	(650012-15)	(650012-15)	(650012-15)	(650012-15)	(650012-15)
C4-6,8	Capacitor, Ceramic Disc 0.1uF, 50V	8	650013-45	650013-45	650013-45	650013-45	650013-45
C12,14	Capacitor, Ceramic Disc 0.1uF, 50V	8	650013-45	650013-45	650013-45	650013-45	650013-45
C15,16	Capacitor, Ceramic Disc 0.1uF, 50V	8	650013-45	650013-45	650013-45	650013-45	650013-45
C13	Capacitor, Ceramic Disc .01uF, 50V	1	(650014-27)	(650014-27)	(650014-27)	(650014-27)	(650014-27)
LP1-4	Mov 33V, 500A	4	650015	650015	650015	650015	650015

Note: Part Numbers enclosed in brackets ( ) are not available individually, but may be sold in assemblies or kits.

ESP12RKLS/ ESP16RKLS/ ESP24RKLS/ ESP32RKLS/ ESP40RKLS

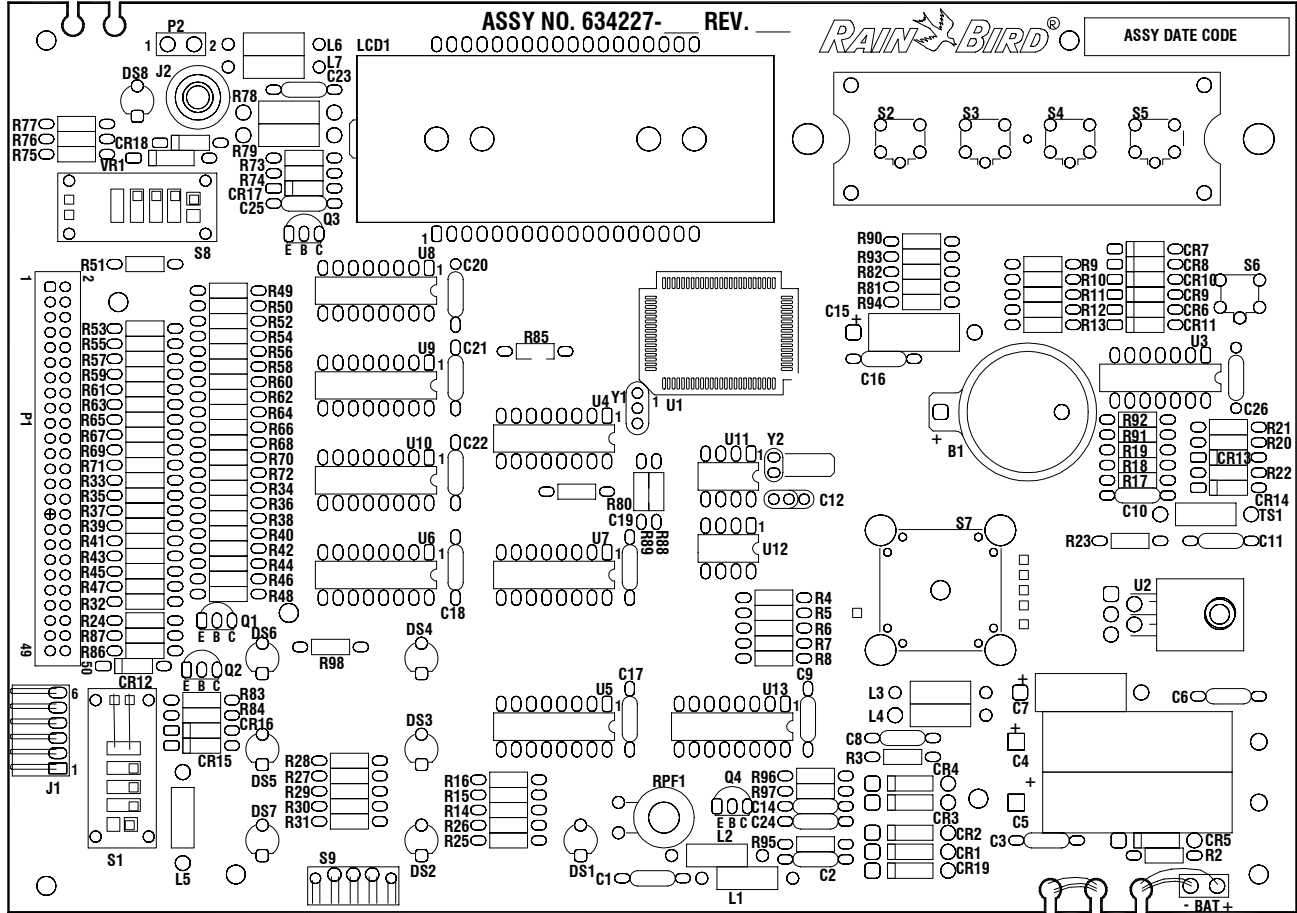
(LINK RADIO COMMUNICATION, FOR STAINLESS STEEL PEDESTAL, 120 VOLT, 60 Hz)

Ref.	Description	Qty.	12	16	24	32	40
<b>PWB ASSY ESP-MC LINK, CONT.</b>							
ZR1	Diode Zener	1	(650038-70)	(650038-70)	(650038-70)	(650038-70)	(650038-70)
C11	Capacitor,Electrl,Axial 47uF,25V	1	(650045-08)	(650045-08)	(650045-08)	(650045-08)	(650045-08)
R14	Resistor,Carbon Film,1/4W 100Ohms	1	650079-49	650079-49	650079-49	650079-49	650079-49
R16,17	Resistor,Carbon Film,1/4W 270Ohms	2	(650079-59)	(650079-59)	(650079-59)	(650079-59)	(650079-59)
R20-23	Resistor,Carbon Film,1/4W 1K Ohm	4	(650079-73)	(650079-73)	(650079-73)	(650079-73)	(650079-73)
R15	Resistor,Carbon Film,1/4W 1.5KOhm	1	(650079-77)	(650079-77)	(650079-77)	(650079-77)	(650079-77)
R24-26	Resistor,Carbon Film,1/4W 2KOhms	3	(650079-80)	(650079-80)	(650079-80)	(650079-80)	(650079-80)
R5-9, R11,13 R18,19	Resistor,Carbon Film,1/4W 4.7Kohm	9	650079-89	650079-89	650079-89	650079-89	650079-89
R27	Resistor,Carbon Film, 1/4W 10KOhm	1	650079-97	650079-97	650079-97	650079-97	650079-97
R1-4	Resistor,Carbon Film, 1/4W 47KOhm	6	(650080-14)	(650080-14)	(650080-14)	(650080-14)	(650080-14)
VR1,2	Grease	0.01	(650101)	(650101)	(650101)	(650101)	(650101)
VR1,2	Rivet,Blind,Dome-head .125Dia	2	(650139-05)	(650139-05)	(650139-05)	(650139-05)	(650139-05)
-	Solder	0.01	(650160)	(650160)	(650160)	(650160)	(650160)
F1	Fuse, Mini, .197Dia 2Amps	1	(650307-03)	(650307-03)	(650307-03)	(650307-03)	(650307-03)
F1	Mini Fuse, Clips,.197Dia	2	(650308)	(650308)	(650308)	(650308)	(650308)
VR2	Voltage Regulator +5V	1	650332	650332	650332	650332	650332
VR1,2	Heatsink	2	(650335)	(650335)	(650335)	(650335)	(650335)
TP1	Test Point, PC Mount	1	(650336-01)	(650336-01)	(650336-01)	(650336-01)	(650336-01)
Q1,2	Transistor, PNP	2	650369	650369	650369	650369	650369
U5-7	I.C.,Opto Coupler	3	650445	650445	650445	650445	650445
U3	Socket, Prom Carrier 28 Pins	1	650518-02	650518-02	650518-02	650518-02	650518-02
BR1	Bridge, Rectifier 4A,200V	1	650581-03	650581-03	650581-03	650581-03	650581-03
C7	Capacitor,Tantalum Radial 2.2uF25V	1	650583-03	650583-03	650583-03	650583-03	650583-03
C2,17	Capacitor,Tantalum Radial 22uF25V	2	650583-09	650583-09	650583-09	650583-09	650583-09
J1	Connector DB-9S	1	(650610-05)	(650610-05)	(650610-05)	(650610-05)	(650610-05)
U2	Ic,Octal D-Type Latch	1	650611	650611	650611	650611	650611
J1	Jack Socket Kit	1	(650620)	(650620)	(650620)	(650620)	(650620)
Y1	Wire 22Awg Auto-Inserted .450Lead	0.55	(650625-03)	(650625-03)	(650625-03)	(650625-03)	(650625-03)
Y1	Crystal, Quartz 11.059MHz	1	650721	650721	650721	650721	650721
U1	Hex Bus Driver	1	650776	650776	650776	650776	650776
J3	Header,.156Ctrs 3 Pins	1	(650893-03)	(650893-03)	(650893-03)	(650893-03)	(650893-03)
VR1	Voltage Regulator +8V	1	650939	650939	650939	650939	650939
C9,10	Capacitor,Electrl,Axial 3300uF,25V	2	(650954)	(650954)	(650954)	(650954)	(650954)
TB1	Terminal. Blk. .300Ctrs 1 Posicion	4	(651000-01)	(651000-01)	(651000-01)	(651000-01)	(651000-01)
J2	Header,Polzd.,Ra.0.098 Ctrs.	1	(651005-06)	(651005-06)	(651005-06)	(651005-06)	(651005-06)
U4	Ic,Microcomputer	1	651031	651031	651031	651031	651031

Note: Part Numbers enclosed in brackets ( ) are not available individually, but may be sold in assemblies or kits.

ESP12RKLS/ ESP16RKLS/ ESP24RKLS/ ESP32RKLS/ ESP40RKLS  
 (LINK RADIO COMMUNICATION, FOR STAINLESS STEEL PEDESTAL, 120 VOLT, 60 Hz)

**PWB ASSY ESP-MC ESC-1 CONTROLLER**



Ref.	Description	Qty.	12	16	24	32	40
<b>PWB ASSY ESP-MC ESC-1 CONTROLLER</b>			(634227-02)	(634227-03)	(634227-04)	(634227-05)	(634227-06)
S7	Switch Rotary	1	(630609)	(630609)	(630609)	(630609)	(630609)
S8	Switch, Slide	1	(630651)	(630651)	(630651)	(630651)	(630651)
-	Label, Bar Code 39	1	(631356-01)	(631356-01)	(631356-01)	(631356-01)	(631356-01)
LCD1	Spacer, LCD	1	(632046)	(632046)	(632046)	(632046)	(632046)
P2	Sensor Cable	1	(632048-01)	(632048-01)	(632048-01)	(632048-01)	(632048-01)
J2	Spring, Shield .70 Long	1	(632898-01)	(632898-01)	(632898-01)	(632898-01)	(632898-01)
LCD1	Liquid, Crystal Display	1	(633087)	(633087)	(633087)	(633087)	(633087)
U1	Microcomp., Toshiba, OTP	1	(633088)	(633088)	(633088)	(633088)	(633088)
P1	Ribbon Cable Assy 50Ckts	1	(633090)	(633090)	(633090)	(633090)	(633090)
-	Printed Wiring Board	1	(634228)	(634228)	(634228)	(634228)	(634228)
C12	Capacitor, ceramic radial 6pF, 50V	1	(650012-04)	(650012-04)	(650012-04)	(650012-04)	(650012-04)
U2	Washer, Flat, carbon Steel	1	(650023-03)	(650023-03)	(650023-03)	(650023-03)	(650023-03)

Note: Part Numbers enclosed in brackets ( ) are not available individually, but may be sold in assemblies or kits.



ESP12RKLS/ ESP16RKLS/ ESP24RKLS/ ESP32RKLS/ ESP40RKLS

(LINK RADIO COMMUNICATION, FOR STAINLESS STEEL PEDESTAL, 120 VOLT, 60 Hz)

Ref.	Description	Qty.	12	16	24	32	40
<b>PWB ASSY ESP-MC ESC-1 CONTROLLER, CONT.</b>							
CR6	Diode, Switching	1	650037-01	650037-01	650037-01	650037-01	650037-01
CR7	Diode, Switching	1	650037-01	-	650037-01	-	650037-01
CR8	Diode, Switching	1	-	650037-01	650037-01	-	-
CR9	Diode, Switching	1	-	-	-	650037-01	650037-01
CR11-18	Diode, Switching	8	650037-01	650037-01	650037-01	650037-01	650037-01
VR1	Diode, Zener, 500mW, 5.6V	1	(650038-71)	(650038-71)	(650038-71)	(650038-71)	(650038-71)
C7, 15	Capacitor, Electrolytic, Axial 47uF, 10V	2	(650044-03)	(650044-03)	(650044-03)	(650044-03)	(650044-03)
BAT	Battery Snap 9V	1	650075	650075	650075	650075	650075
CR1-5 C19	Diode, Gen Purpose, 1Amp	6	650077-02	650077-02	650077-02	650077-02	650077-02
R23, 85 R98	Resistor, Carbon Film, 1/4W, 10Ohms	2	(650079-25)	(650079-25)	(650079-25)	(650079-25)	(650079-25)
R49-56 R24, 32,	Resistor, Carbon Film 1/4W, 150Ohms	11	(650079-53)	(650079-53)	(650079-53)	(650079-53)	(650079-53)
R57-60	Resistor, Carbon Film 1/4W, 150Ohms	4	(650079-53)	(650079-53)	(650079-53)	(650079-53)	(650079-53)
R61-64	Resistor, Carbon Film 1/4W, 150Ohms	4	-	(650079-53)	(650079-53)	(650079-53)	(650079-53)
R65-72	Resistor, Carbon Film 1/4W, 150Ohms	8	-	-	(650079-53)	(650079-53)	(650079-53)
R33-40	Resistor, Carbon Film 1/4W, 150Ohms	8	-	-	-	(650079-53)	(650079-53)
R41-48	Resistor, Carbon Film 1/4W, 150Ohms	8	-	-	-	-	(650079-53)
R25-31	Resistor, Carbon Film 1/4W 470Ohms	7	(650079-65)	(650079-65)	(650079-65)	(650079-65)	(650079-65)
R17, 95	Resistor, Carbon Film, 1/4W, 1KOhm	2	(650079-73)	(650079-73)	(650079-73)	(650079-73)	(650079-73)
R76	Resistor, Carbon Film, 1/4W, 2KOhms	1	(650079-80)	(650079-80)	(650079-80)	(650079-80)	(650079-80)
R2	Resistor, Carbon Film, 1/4W 3.3KOhms	1	(650079-85)	(650079-85)	(650079-85)	(650079-85)	(650079-85)
R88-90 R84, 87 R20-22	Resistor, Carbon Film, 1/4W, 4.7KOhms	8	650079-89	650079-89	650079-89	650079-89	650079-89
R92	Resistor, Carbon Film, 1/4W, 8.2KOhms	1	(650079-95)	(650079-95)	(650079-95)	(650079-95)	(650079-95)
R19, 91	Resistor, Carbon Film, 1/4W, 10Kohms	2	(650079-97)	(650079-97)	(650079-97)	(650079-97)	(650079-97)
R83, 86 R18, 80 R94	Resistor, Carbon Film, 1/4W, 47KOhms	4	(650080-14)	(650080-14)	(650080-14)	(650080-14)	(650080-14)
R82, 93, R43, 81 R4-16	Resistor, Carbon Film, 1/4W 100Kohms	18	(650080-22)	(650080-22)	(650080-22)	(650080-22)	(650080-22)
R96, 97 R74, 75 R3	Resistor, Carbon Film, 1/4W, 220KOhms	5	(650080-30)	(650080-30)	(650080-30)	(650080-30)	(650080-30)
C20, 24 C16, 17 C10, 14 C3, 8, 9	Capacitor, Ceramic Axial .1uF, 50V	9	(650085-55)	(650085-55)	(650085-55)	(650085-55)	(650085-55)

Note: Part Numbers enclosed in brackets ( ) are not available individually, but may be sold in assemblies or kits.

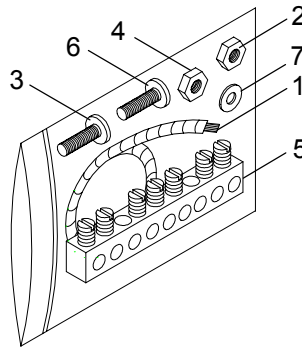
ESP12RKLS/ ESP16RKLS/ ESP24RKLS/ ESP32RKLS/ ESP40RKLS

(LINK RADIO COMMUNICATION, FOR STAINLESS STEEL PEDESTAL, 120 VOLT, 60 Hz)

Ref.	Description	Qty.	12	16	24	32	40
<b>PWB ASSY ESP-MC ESC-1 CONTROLLER, CONT.</b>							
C21	Capacitor, Ceramic Axial .1uF, 50V	1	(650085-55)	(650085-55)	(650085-55)	(650085-55)	(650085-55)
C22	Capacitor, Ceramic Axial .1uF, 50V	1	-	-	(650085-55)	(650085-55)	(650085-55)
C18	Capacitor, Ceramic Axial .1uF, 50V	1	-	-	-	(650085-55)	(650085-55)
C19	Capacitor, Ceramic Axial .1uF, 50V	1	-	-	-	-	(650085-55)
U2	Rivet, Blind Dome HD. .125Dia	1	(650139-05)	(650139-05)	(650139-05)	(650139-05)	(650139-05)
R78,79	Resistor, Carbon Film, 1/2W, 1KOhms	2	(650202-73)	(650202-73)	(650202-73)	(650202-73)	(650202-73)
L1-7	Inductor, Ferrite Bead	7	650300-05	650300-05	650300-05	650300-05	650300-05
U3	IC Quad OP Amp	1	650358	650358	650358	650358	650358
Q3,4	Transistor, NPN, 624mW	2	650367	650367	650367	650367	650367
Q1,2	Transistor, PNP	2	650369	650369	650369	650369	650369
Y2	Crystal, Quartz 32.768KHz	1	(650484)	(650484)	(650484)	(650484)	(650484)
TS1	Transient Suppressor 6.8V	1	(650595-01)	(650595-01)	(650595-01)	(650595-01)	(650595-01)
C5	Capacitor, Electrolytic, Axial 330uF, 25V	1	(650624)	(650624)	(650624)	(650624)	(650624)
U4	3-8 Line Decoder	1	650699	650699	650699	650699	650699
S2,3,4 S5,6	Switch, Pushbutton	5	(650748)	(650748)	(650748)	(650748)	(650748)
C23,25 C1,2,11	Capacitor, ceramic Axial .01uF, 100V	5	(650882-01)	(650882-01)	(650882-01)	(650882-01)	(650882-01)
C6	Capacitor, NPO, Axial 10pF, 100V	1	(650883-13)	(650883-13)	(650883-13)	(650883-13)	(650883-13)
C26	Capacitor, NPO, Axial 220pF, 100V	1	(650883-17)	(650883-17)	(650883-17)	(650883-17)	(650883-17)
U5,8	8Bit Addressable Latch	2	650889	650889	650889	650889	650889
U9	8Bit Addressable Latch	1	650889	650889	650889	650889	650889
U10	8Bit Addressable Latch	1	-	-	650889	650889	650889
U6	8Bit Addressable Latch	1	-	-	-	650889	650889
U7	8Bit Addressable Latch	1	-	-	-	-	650889
DS1-8	Led, red, .200Ctrs.	8	650910	650910	650910	650910	650910
U2	Regulator, Low Dropout	1	(650962)	(650962)	(650962)	(650962)	(650962)
J2	Eyelet, Spring	1	(650985)	(650985)	(650985)	(650985)	(650985)
J1	Header, Polzd. Radial, .100Ctrs 6Pins	1	(651005-06)	(651005-06)	(651005-06)	(651005-06)	(651005-06)
B1	Battery, Lithium	1	(651009)	(651009)	(651009)	(651009)	(651009)
B1	Holder, Battery Coin	1	(651010)	(651010)	(651010)	(651010)	(651010)
U11	IC, Real Time Clock	1	(651011)	(651011)	(651011)	(651011)	(651011)
U12	IC, EEPROM-4K Byte, Serial	1	(651012)	(651012)	(651012)	(651012)	(651012)
Y1	Resonator, ceramic 8.00MHz	1	(651013)	(651013)	(651013)	(651013)	(651013)
U13	IC, 8Bit Input Mux	1	(651014)	(651014)	(651014)	(651014)	(651014)
C4	Capacitor, Electrolytic, Axial 1000uF, 25V	1	(651054-12)	(651054-12)	(651054-12)	(651054-12)	(651054-12)
RPF1	Polyswitch, RXE, 60V, .65A	1	(651055-08)	(651055-08)	(651055-08)	(651055-08)	(651055-08)
S9	Switch Slide	1	(651292)	(651292)	(651292)	(651292)	(651292)

Note: Part Numbers enclosed in brackets ( ) are not available individually, but may be sold in assemblies or kits.

IESP12RK2S/ IESP16RK2S/ IESP24RK2S/ IESP32RK2S/ IESP40RK2S  
(TWO-WIRE COMMUNICATION, FOR STAINLESS STEEL PEDESTAL,  
INTERNATIONAL, 240 VOLT, 50 Hz)



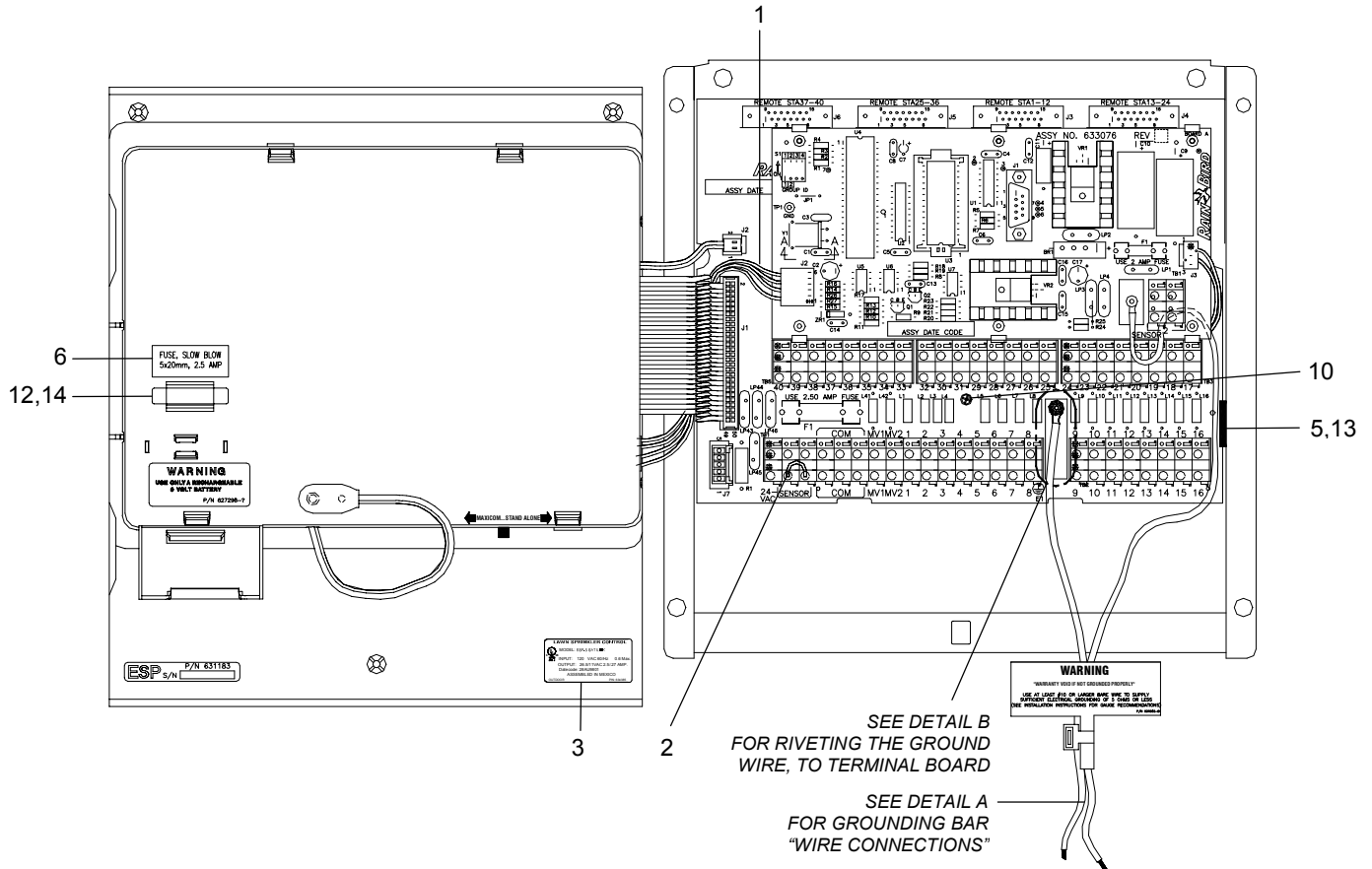
**BAR BUS MOUNTING KIT**

Ref.	Description	Qty.	12	16	24	32	40
<b>ACCESSORIES</b>							
-	Label Box 50 Cycle	1	(622974)	(622974)	(622974)	(622974)	(622974)
-	Locknut Conduit	1	(628013)	(628013)	(628013)	(628013)	(628013)
-	Bag, Poly 4 x 5	2	(628282-06)	(628282-06)	(628282-06)	(628282-06)	(628282-06)
-	Card, Customer Registration-Tm	1	(632354)	(632354)	(632354)	(632354)	(632354)
-	Xfmr Assy, 11&26 Volt	1	633148-02	633148-02	633148-02	633148-02	633148-02
-	Xfmr, Power-230Vac,50Hz	1	(633147)	(633147)	(633147)	(633147)	(633147)
-	Cable Tie, Nylon 7/8 Bundle	1	650131	650131	650131	650131	650131
-	Terminal Crimp Molex	5	650323	650323	650323	650323	650323
-	Housing Crimp Terminal 5 Circ	1	(650873-05)	(650873-05)	(650873-05)	(650873-05)	(650873-05)
-	Bead, Shield, Ferrite, 200 Ohms	1	(651123)	(651123)	(651123)	(651123)	(651123)
-	Instructions, Instl&Oper	1	633686	633686	633686	633686	633686
-	Bracket, Xfmr Esp-Sat Retro Ped	1	(633745)	(633745)	(633745)	(633745)	(633745)
-	Connector, Xfmr, Retrofit	1	(633748)	(633748)	(633748)	(633748)	(633748)
-	Instructions, Instal	1	(633819)	(633819)	(633819)	(633819)	(633819)
-	Sheet, Info, Retro Pilot	1	(633894)	(633894)	(633894)	(633894)	(633894)
-	Guide, Operations Adden	1	(633942)	(633942)	(633942)	(633942)	(633942)
-	Bar, Bus Mounting Kit	1	(634986)	(634986)	(634986)	(634986)	(634986)
1	Ground Wire Assy 12 Awg (15)	1	(634943-15)	(634943-15)	(634943-15)	(634943-15)	(634943-15)
2	Nut, Pl, Hex, #8-32, Cres, Psvtd	4	(650033-04)	(650033-04)	(650033-04)	(650033-04)	(650033-04)
3	Screw 8-32	4	(650105-48)	(650105-48)	(650105-48)	(650105-48)	(650105-48)
4	Nut, #8-32 Hex W/Star Washer	4	(650634-04)	(650634-04)	(650634-04)	(650634-04)	(650634-04)
-	Bag, Zip Lock, Plastic, 2/5x3	1	(650924-03)	(650924-03)	(650924-03)	(650924-03)	(650924-03)
5	Bar Bus Grounding 2	2	(651440)	(651440)	(651440)	(651440)	(651440)
6	Screw, Rnd Hd Tamper Proof #8	2	(651457)	(651457)	(651457)	(651457)	(651457)
7	Washer, ss With Neoprene #8	2	(651458)	(651458)	(651458)	(651458)	(651458)
-	Groudning Int. Addendum Ss Cont	1	(635009)	(635009)	(635009)	(635009)	(635009)
-	Washer, Flat #8 .032	4	(650023-10)	(650023-10)	(650023-10)	(650023-10)	(650023-10)
-	Screw, Mach, Phn, 8-32 21/2 Cres	4	(650106-55)	(650106-55)	(650106-55)	(650106-55)	(650106-55)
-	Screw, Phh, Rnd, Wshr, Hd, Type B	4	650565-28	650565-28	650565-28	650565-28	650565-28
-	Nut, Speed, U-Tupe, 6AB Thread	4	(650684)	(650684)	(650684)	(650684)	(650684)
-	Battery, Nicad 7.2V	1	650929	650929	650929	650929	650929
-	Lock Washer, External Tooth	1	(651389)	(651389)	(651389)	(651389)	(651389)

Note: Part Numbers enclosed in brackets ( ) are not available individually, but may be sold in assemblies or kits.

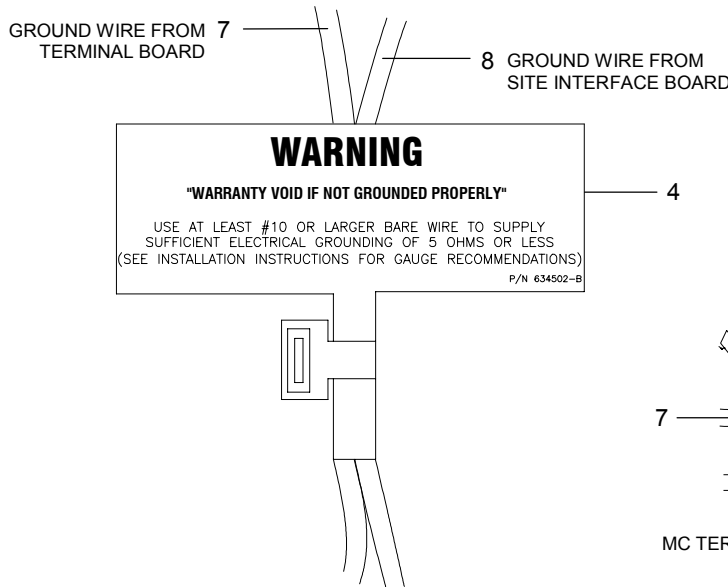
IESP12RK2S/ IESP16RK2S/ IESP24RK2S/ IESP32RK2S/ IESP40RK2S  
 (TWO-WIRE COMMUNICATION, FOR STAINLESS STEEL PEDESTAL,  
 INTERNATIONAL, 240 VOLT, 50 Hz)

**BRACKET ASSY ESP-SAT RFK**

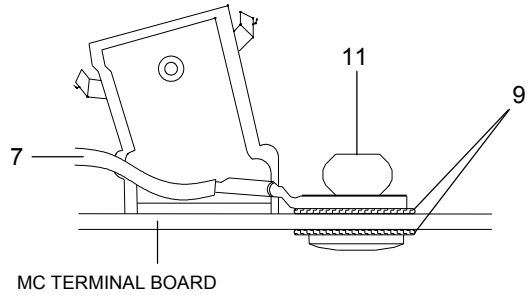


Note: Part Numbers enclosed in brackets ( ) are not available individually, but may be sold in assemblies or kits.

IESP12RK2S/ IESP16RK2S/ IESP24RK2S/ IESP32RK2S/ IESP40RK2S  
 (TWO-WIRE COMMUNICATION, FOR STAINLESS STEEL PEDESTAL,  
 INTERNATIONAL, 240 VOLT, 50 Hz)



**DETAIL A**  
 VIEWED FROM OUTSIDE  
 OF THE CONTROLLER



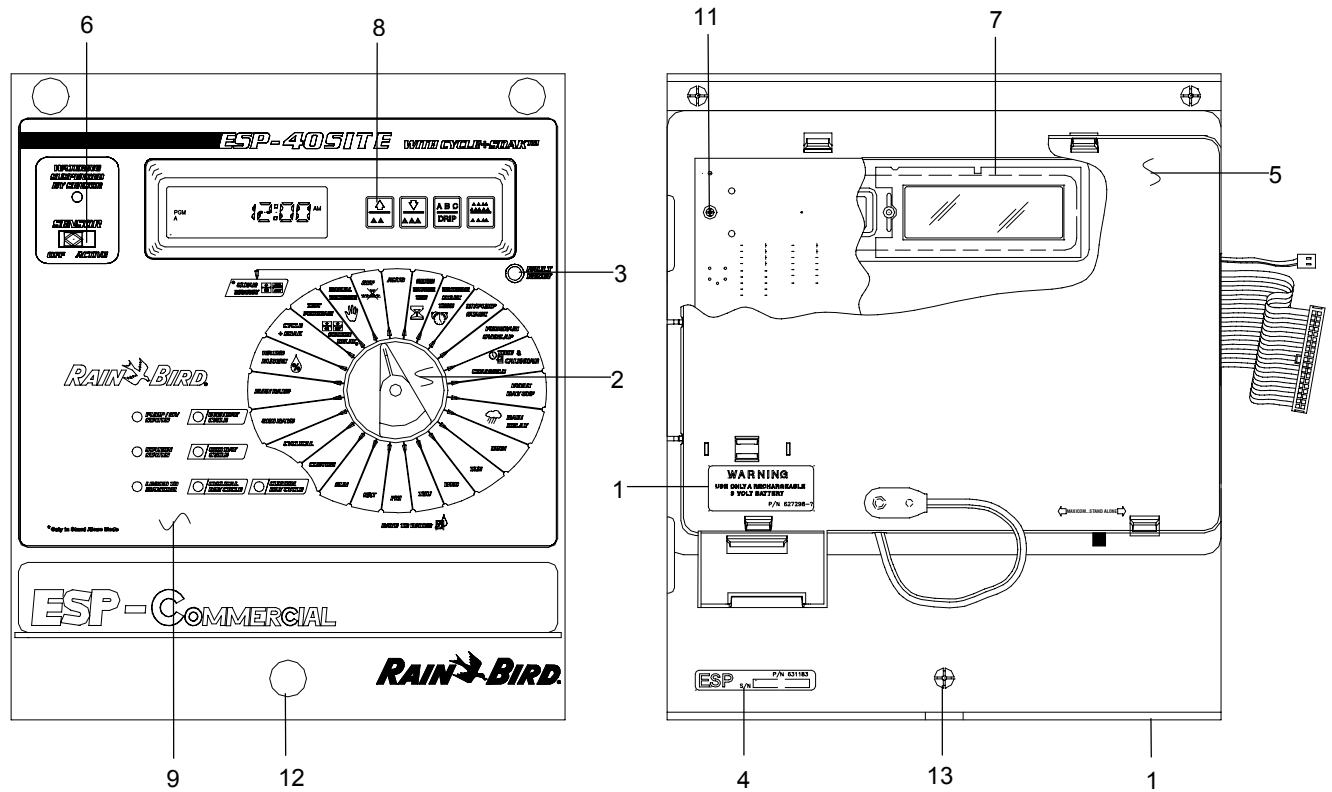
**DETAIL B**  
 VIEWED FROM RIGHT SIDE  
 OF THE CONTROLLER

Ref.	Description	Qty.	12	16	24	32	40
<b>BRACKET ASSY ESP-SAT RFK</b>			(633814-08)	(633814-09)	(633814-10)	(633814-11)	(633814-12)
-	Spacer, Terminal Board	1	(631919)	(631919)	(631919)	(631919)	(631919)
1	Cable Assy, 2Wire/Link Intfc-Mc	1	(633132)	(633132)	(633132)	(633132)	(633132)
2	Sensor Jumper Wire	1	(633442)	(633442)	(633442)	(633442)	(633442)
-	Label, Caution	1	(633657)	(633657)	(633657)	(633657)	(633657)
-	Bracket, Ss Ped, Retrofit	1	(633744)	(633744)	(633744)	(633744)	(633744)
3	Label, Rating	1	(634385-12)	(634385-12)	(634385-12)	(634385-12)	(634385-12)
4	Label, Warning Grounding	1	(634502)	(634502)	(634502)	(634502)	(634502)
5	Label, Warning Corrosion Inhib	1	(634558)	(634558)	(634558)	(634558)	(634558)
6	Label, Fuse 2.5 Amp	1	(634615)	(634615)	(634615)	(634615)	(634615)
7	Ground Wire Assy 12 Awg (11)	1	(634943-11)	(634943-11)	(634943-11)	(634943-11)	(634943-11)
8	Ground Wire Assy 12 Awg (19)	1	(634943-19)	(634943-19)	(634943-19)	(634943-19)	(634943-19)
-	Washer, Flat #10 .032	4	(650023-13)	(650023-13)	(650023-13)	(650023-13)	(650023-13)
-	Cable Tie, Nylon 7/8 Bundle	1	650131	650131	650131	650131	650131
9	Wshr Lk, #10, Ext-Tooth, Z-Pltd	4	(650162-04)	(650162-04)	(650162-04)	(650162-04)	(650162-04)
10	Screw Phl Phn Hi-Lo 7-19x1/2	3	(650183-63)	(650183-63)	(650183-63)	(650183-63)	(650183-63)
11	Rivet, Blind 0.19	6	(650434-13)	(650434-13)	(650434-13)	(650434-13)	(650434-13)
-	Spacer, Cicuit Board, Edge Hold	6	(650912-10)	(650912-10)	(650912-10)	(650912-10)	(650912-10)
12	Fuse, 5x20MM, Slow Blow 2 1/2Amp	1	650966-14	650966-14	650966-14	650966-14	650966-14
13	Impregnated Foam Corrosion Inh	1	(651331)	(651331)	(651331)	(651331)	(651331)
14	Holder Fuse	1	(651384)	(651384)	(651384)	(651384)	(651384)

Note: Part Numbers enclosed in brackets ( ) are not available individually, but may be sold in assemblies or kits.

IESP12RK2S/ IESP16RK2S/ IESP24RK2S/ IESP32RK2S/ IESP40RK2S  
 (TWO-WIRE COMMUNICATION, FOR STAINLESS STEEL PEDESTAL,  
 INTERNATIONAL, 240 VOLT, 50 Hz)

**FRONT PANEL ASSEMBLY**

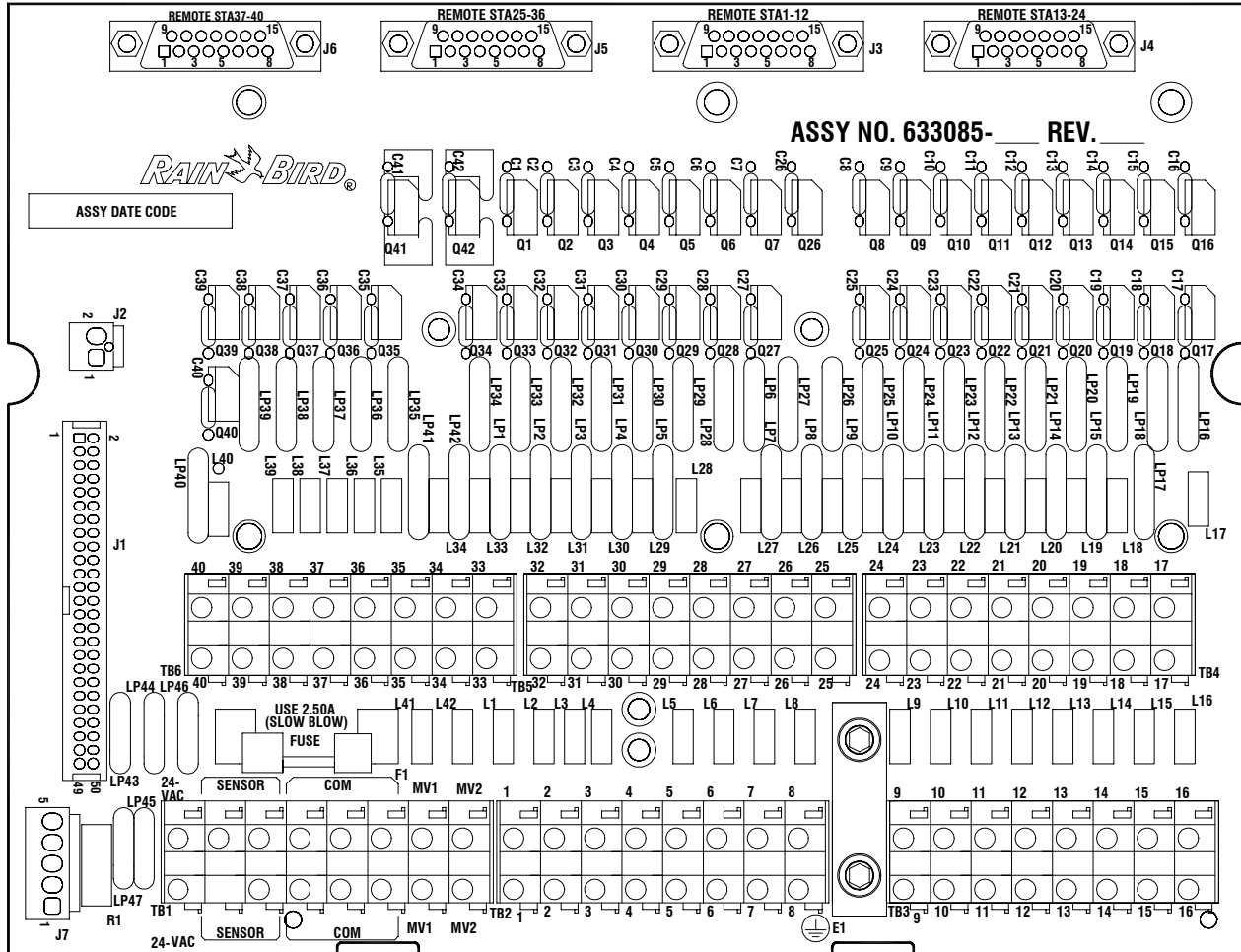


Ref.	Description	Qty.	12	16	24	32	40
<b>FRONT PANEL ASSEMBLY</b>			(633815-02)	(633815-03)	(633815-04)	(633815-05)	(633815-06)
1	Label Warning Cic 8/12	1	(627298)	(627298)	(627298)	(627298)	(627298)
2	Funct Select Knob Assy, Gray	1	(630946)	(630946)	(630946)	(630946)	(630946)
-	Esp Funct Select Knob, Gray	1	(630947)	(630947)	(630947)	(630947)	(630947)
-	Ring Compression	1	(650505-06)	(650505-06)	(650505-06)	(650505-06)	(650505-06)
3	Button, Tm Pb Switch	1	(631136)	(631136)	(631136)	(631136)	(631136)
4	Label, Serial	1	(631183)	(631183)	(631183)	(631183)	(631183)
5	Cover, Pwb	1	(631920)	(631920)	(631920)	(631920)	(631920)
6	Switch, Asctuator-Paragon	1	(632510)	(632510)	(632510)	(632510)	(632510)
7	Lens, Lcd-Esp-C/Lx	1	632700	632700	632700	632700	632700
8	Keypad, Silicone	1	(632908)	(632908)	(632908)	(632908)	(632908)
9	Overlay, Fr Panel, 12Sta, Esp-Sat	1	(633324-02)	(633324-03)	(633324-04)	(633324-05)	(633324-06)
10	Retro Kit Assy, Frt Pnl-Esp-Sat	1	(633871)	(633871)	(633871)	(633871)	(633871)
-	Shield, Front Panel	1	(632897)	(632897)	(632897)	(632897)	(632897)
-	Front Panel,Sub-Assy,P/Esp-St	1	(633810)	(633810)	(633810)	(633810)	(633810)
-	Front Panel Esp-Mc	1	(631918)	(631918)	(631918)	(631918)	(631918)
11	Screw, 4-24 x 5/16 Hi-Lo W/Wshr	5	(650563-23)	(650563-23)	(650563-23)	(650563-23)	(650563-23)
12	Lock, Plunger	3	(650927-02)	(650927-02)	(650927-02)	(650927-02)	(650927-02)
13	Lock, Grommet	3	(650928-02)	(650928-02)	(650928-02)	(650928-02)	(650928-02)

Note: Part Numbers enclosed in brackets ( ) are not available individually, but may be sold in assemblies or kits.

IESP12RK2S/ IESP16RK2S/ IESP24RK2S/ IESP32RK2S/ IESP40RK2S  
 (TWO-WIRE COMMUNICATION, FOR STAINLESS STEEL PEDESTAL,  
 INTERNATIONAL, 240 VOLT, 50 Hz)

PWB ASSY TERMINAL



Ref.	Description	Qty.	12	16	24	32	40
<b>PWB ASSY TERMINAL</b>							
LP45,47	Mov 56V,1000A	2	(633085-08)	(633085-09)	(633085-10)	(633085-11)	(633085-12)
LP46	Mov 56V,1000A	1	624624	624624	624624	624624	624624
-	Label, Bar Code 39	1	(631356-01)	(631356-01)	(631356-01)	(631356-01)	(631356-01)
-	Printed Wiring Board	1	(633086)	(633086)	(633086)	(633086)	(633086)
-	Solder	.001	(650160)	(650160)	(650160)	(650160)	(650160)
L1-8, L41,L42	Inductor, Ferrite Bead	10	650300-05	650300-05	650300-05	650300-05	650300-05
L9-12	Inductor, Ferrite Bead	4	650300-05	650300-05	650300-05	650300-05	650300-05
L13-16	Inductor, Ferrite Bead	4	-	650300-05	650300-05	650300-05	650300-05
L17-24	Inductor, Ferrite Bead	8	-	-	650300-05	650300-05	650300-05
L25-32	Inductor, Ferrite Bead	8	-	-	-	650300-05	650300-05

Note: Part Numbers enclosed in brackets ( ) are not available individually, but may be sold in assemblies or kits.

IESP12RK2S/ IESP16RK2S/ IESP24RK2S/ IESP32RK2S/ IESP40RK2S  
(TWO-WIRE COMMUNICATION, FOR STAINLESS STEEL PEDESTAL,  
INTERNATIONAL, 240 VOLT, 50 Hz)

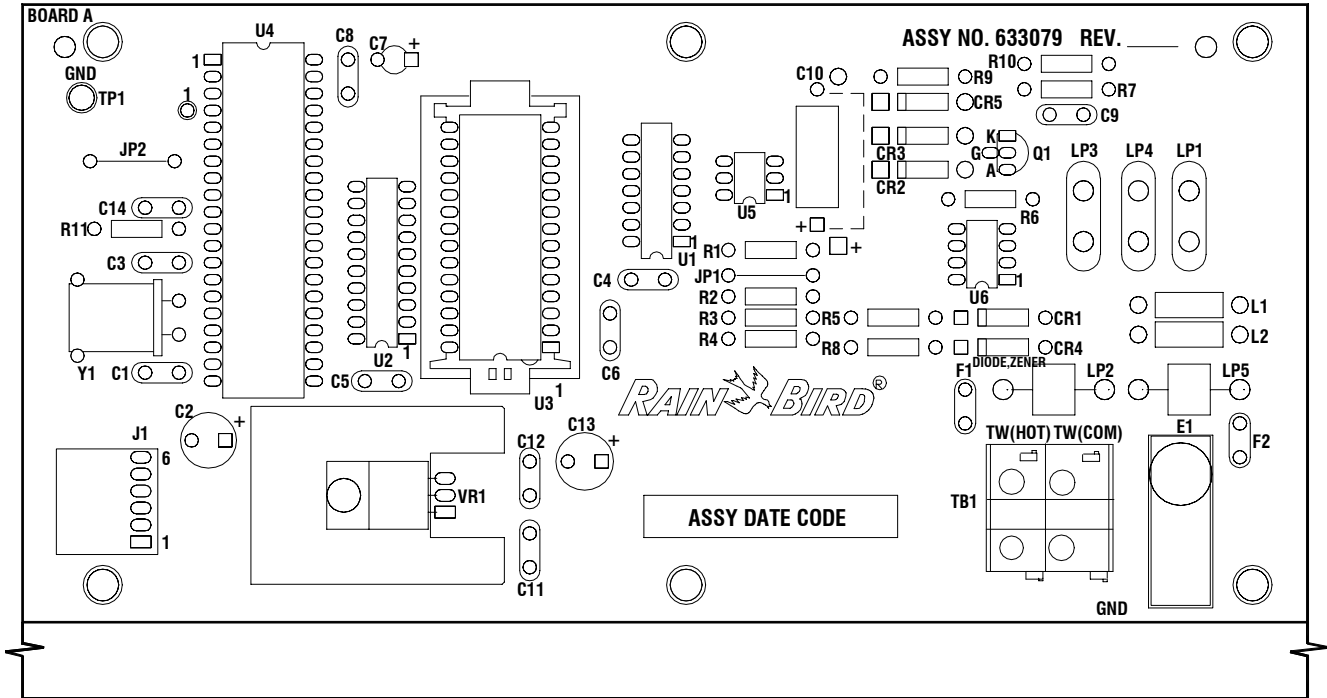
Ref.	Description	Qty.	12	16	24	32	40
<b>PWB ASSY TERMINAL, CONT.</b>							
L33-40	Inductor, Ferrite Bead	8	-	-	-	-	650300-05
-	Mini Fuse Clips .197 Dia	2	(650308)	(650308)	(650308)	(650308)	(650308)
J3	Connector, DB15S 15Pins	1	(650610-06)	(650610-06)	(650610-06)	(650610-06)	(650610-06)
J4	Connector, DB15S 15Pins	1	-	(650610-06)	(650610-06)	(650610-06)	(650610-06)
J5	Connector, DB15S 15Pins	1	-	-	-	(650610-06)	(650610-06)
J6	Connector, DB15S 15Pins	1	-	-	-	-	(650610-06)
J3	Jack Socket Kit	1	(650620)	(650620)	(650620)	(650620)	(650620)
J4	Jack Socket Kit	1	-	(650620)	(650620)	(650620)	(650620)
J5	Jack Socket Kit	1	-	-	-	(650620)	(650620)
J6	Jack Socket Kit	1	-	-	-	-	(650620)
R1	Resistor, 2%, 2W., 10hm	1	(650766-01)	(650766-01)	(650766-01)	(650766-01)	(650766-01)
LP1-8 LP41,42	Mov 20MM 47V,2000A	10	650796	650796	650796	650796	650796
LP9-12	Mov 20MM 47V,2000A	4	650796	650796	650796	650796	650796
LP13-16	Mov 20MM 47V,2000A	4	-	650796	650796	650796	650796
LP17-24	Mov 20MM 47V,2000A	8	-	-	650796	650796	650796
LP25-32	Mov 20MM 47V,2000A	8	-	-	-	650796	650796
LP33-40	Mov 20MM 47V,2000A	8	-	-	-	-	650796
J1	Header, Polzd., .100Ctrs. 50Pins.	1	(650872-50)	(650872-50)	(650872-50)	(650872-50)	(650872-50)
LP44	Mov 47V, 1000A	1	650875	650875	650875	650875	650875
C1-8 C41,42	Capacitor Ceramic Axial .01uF, 100V	10	(650882-01)	(650882-01)	(650882-01)	(650882-01)	(650882-01)
C9-12	Capacitor Ceramic Axial .01uF, 100V	4	(650882-01)	(650882-01)	(650882-01)	(650882-01)	(650882-01)
C13-16	Capacitor Ceramic Axial .01uF, 100V	4	-	(650882-01)	(650882-01)	(650882-01)	(650882-01)
C17-24	Capacitor Ceramic Axial .01uF, 100V	8	-	-	(650882-01)	(650882-01)	(650882-01)
C25-32	Capacitor Ceramic Axial .01uF, 100V	8	-	-	-	(650882-01)	(650882-01)
C33-40	Capacitor Ceramic Axial .01uF, 100V	8	-	-	-	-	(650882-01)
-	Mini Fuse .197Dia 2.5 Amp	1	650966-14	650966-14	650966-14	650966-14	650966-14
TB1,2	Terminal Block .300sps 1Pos	16	(651000-01)	(651000-01)	(651000-01)	(651000-01)	(651000-01)
TB3	Terminal Block .300sps 1Pos	8	(651000-01)	(651000-01)	(651000-01)	(651000-01)	(651000-01)
TB4	Terminal Block .300sps 1Pos	8	-	-	(651000-01)	(651000-01)	(651000-01)
TB5	Terminal Block .300sps 1Pos	8	-	-	-	(651000-01)	(651000-01)
TB6	Terminal Block .300sps 1Pos	8	-	-	-	-	(651000-01)
Q1-8 Q41,42	Triac, 6Amps	10	651138	651138	651138	651138	651138
Q9-12	Triac, 6Amps	4	651138	651138	651138	651138	651138
Q13-16	Triac, 6Amps	4	-	651138	651138	651138	651138
Q17-24	Triac, 6Amps	8	-	-	651138	651138	651138
Q25-32	Triac, 6Amps	8	-	-	-	651138	651138
Q33-40	Triac, 6Amps	8	-	-	-	-	651138
LP43	Mov 50V, 2500A	1	(651272)	(651272)	(651272)	(651272)	(651272)

Note: Part Numbers enclosed in brackets ( ) are not available individually, but may be sold in assemblies or kits.



IESP12RK2S/ IESP16RK2S/ IESP24RK2S/ IESP32RK2S/ IESP40RK2S  
 (TWO-WIRE COMMUNICATION, FOR STAINLESS STEEL PEDESTAL,  
 INTERNATIONAL, 240 VOLT, 50 Hz)

PWB ASSY ESP-MC TWO WIRE



Ref.	Description	Qty.	12	16	24	32	40
<b>PWB ASSY ESP-MC TWO WIRE</b>							
LP2,5	Spark Gap	2	(633079-01)	(633079-01)	(633079-01)	(633079-01)	(633079-01)
-	Label, Bar Code 39	1	(624625)	(624625)	(624625)	(624625)	(624625)
-	Printed Wiring Board	1	(631356-01)	(631356-01)	(631356-01)	(631356-01)	(631356-01)
-	Printed Wiring Board	1	(633080)	(633080)	(633080)	(633080)	(633080)
U3	Prom Carrier Assy	1	(633321-04)	(633321-04)	(633321-04)	(633321-04)	(633321-04)
C1,3	Capacitor, Ceramic Disc 30pF,50V	2	(650012-15)	(650012-15)	(650012-15)	(650012-15)	(650012-15)
C4-6, C8,11, C12,14	Capacitor, Ceramic Disc 0.1uF,50V	7	(650013-45)	(650013-45)	(650013-45)	(650013-45)	(650013-45)
LP1,3,4	Mov 68V,500A	3	(650016)	(650016)	(650016)	(650016)	(650016)
CR1,4	Diode,Zener,500mW,8.2V	2	(650038-12)	(650038-12)	(650038-12)	(650038-12)	(650038-12)
C9	Capacitor,Ceramic Disc .001uF,100V	1	(650040-57)	(650040-57)	(650040-57)	(650040-57)	(650040-57)
C10	Capacitor,Electrl Axial 47uF,50V	1	(650046-13)	(650046-13)	(650046-13)	(650046-13)	(650046-13)
U5	IC,Opto—Isolator,Triac MOC3011	1	(650070-01)	(650070-01)	(650070-01)	(650070-01)	(650070-01)
CR2,3	Diode,Gen Purpose,1Amp	2	(650077-02)	(650077-02)	(650077-02)	(650077-02)	(650077-02)
CR5	Diode,Gen Purpose,1Amp	1	(650077-02)	(650077-02)	(650077-02)	(650077-02)	(650077-02)
R1	Resistor,Carbon Film,1/4W 270Ohms	1	(650079-59)	(650079-59)	(650079-59)	(650079-59)	(650079-59)

Note: Part Numbers enclosed in brackets ( ) are not available individually, but may be sold in assemblies or kits.

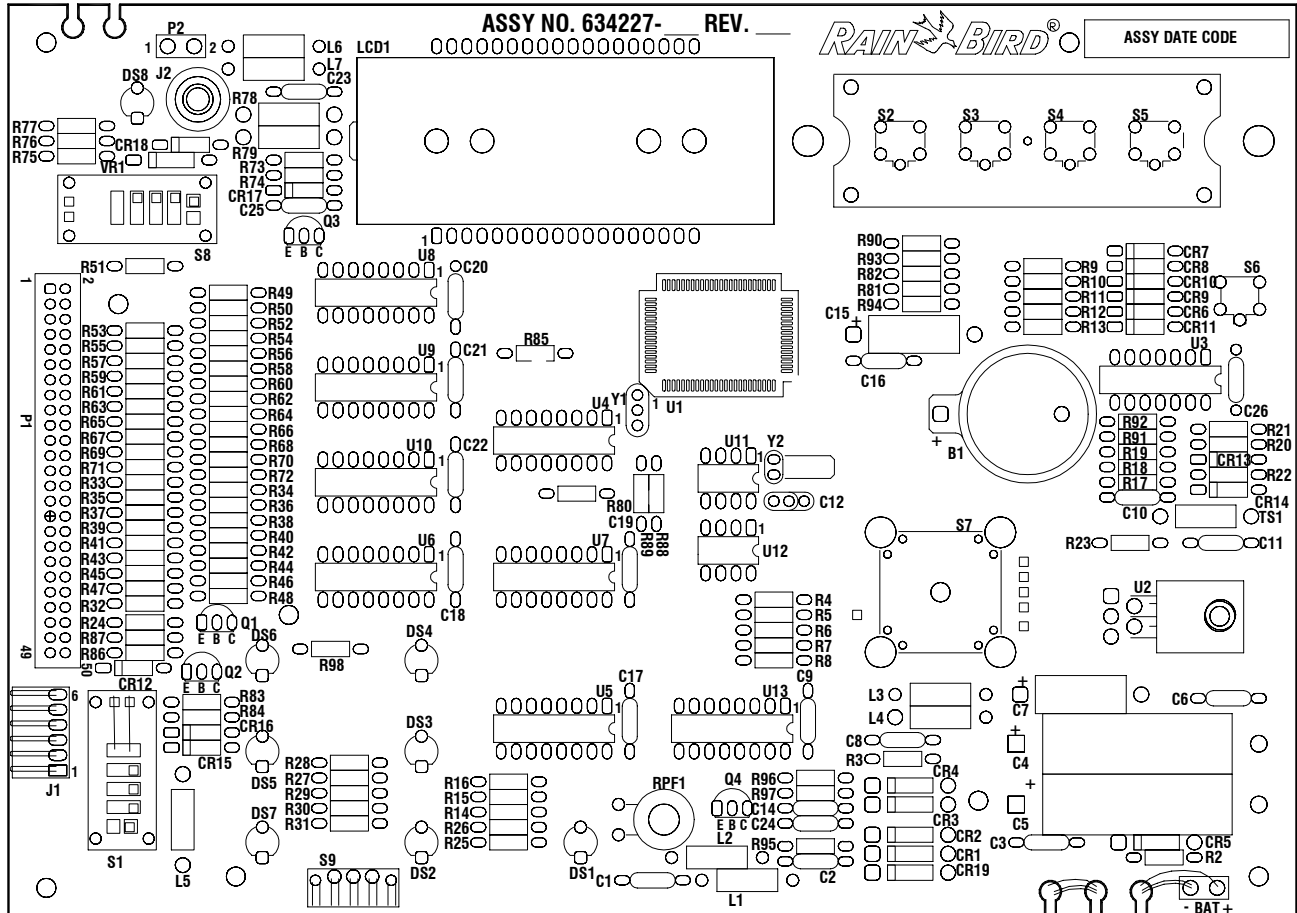
IESP12RK2S/ IESP16RK2S/ IESP24RK2S/ IESP32RK2S/ IESP40RK2S  
(TWO-WIRE COMMUNICATION, FOR STAINLESS STEEL PEDESTAL,  
INTERNATIONAL, 240 VOLT, 50 Hz)

Ref.	Description	Qty.	12	16	24	32	40
<b>PWB ASSY ESP-MC TWO WIRE, CONT</b>							
R7,10	Resistor,Carbon Fil,1/4W 1K	2	(650079-73)	(650079-73)	(650079-73)	(650079-73)	(650079-73)
R6	Resistor,carbon Film 1/4W 1.3K	1	(650079-76)	(650079-76)	(650079-76)	(650079-76)	(650079-76)
R9,11	Resistor,Carbon Film,1/4 4.7K	2	650079-89	650079-89	650079-89	650079-89	650079-89
R2,3							
R5,8	Resistor,Carbon Film,1/4W 47K	4	(650080-14)	(650080-14)	(650080-14)	(650080-14)	(650080-14)
R4	Resistor,Carbon Film, 1/4W 100K	1	(650080-22)	(650080-22)	(650080-22)	(650080-22)	(650080-22)
VR1	Heatsink, Grease	.01	(650101)	(650101)	(650101)	(650101)	(650101)
VR1	Rivet,Blind,Domehead .125Dia	1	(650139-05)	(650139-05)	(650139-05)	(650139-05)	(650139-05)
-	Solder	.01	(650160)	(650160)	(650160)	(650160)	(650160)
L1,2	Inductor,Ferrite Bead	2	650300-05	650300-05	650300-05	650300-05	650300-05
VR1	Regulator, +5V	1	650332	650332	650332	650332	650332
VR1	Regulator,Heatsink, to 220	1	(650335)	(650335)	(650335)	(650335)	(650335)
TP1	Test Point, PC Mount	1	(650336-01)	(650336-01)	(650336-01)	(650336-01)	(650336-01)
Q1	SCR	1	650375	650375	650375	650375	650375
U6	Ic,Opto-Coupler, Dual, High Gain	1	650445	650445	650445	650445	650445
U3	Socket, Prom Carrier	1	650518-02	650518-02	650518-02	650518-02	650518-02
U1	Ic,Hex Schmitt Inverter	1	650540	650540	650540	650540	650540
C7	Capacitor,Tantalum,Radial 2.2uF25V	1	650583-03	650583-03	650583-03	650583-03	650583-03
C2,13	Capacitor,Tantalum,Radial 22uF25V	2	650583-09	650583-09	650583-09	650583-09	650583-09
U2	Ic, Octal D-Type Latch	1	650611	650611	650611	650611	650611
JP2	Wire,22Awg,Auto-Inserted .500Lead	1	(650625-03)	(650625-03)	(650625-03)	(650625-03)	(650625-03)
Y1	Wire,22Awg,Auto-Inserted .500Lead	.55	(650625-03)	(650625-03)	(650625-03)	(650625-03)	(650625-03)
Y1	Crystal,Quartz 11.059MHz	1	650721	650721	650721	650721	650721
TB1	Phnx. Terminal Block .300Ctrs. 1 Pos	2	(651000-01)	(651000-01)	(651000-01)	(651000-01)	(651000-01)
J1	Header,Right,Angle .100Ctrs 6 Pins	1	(651005-06)	(651005-06)	(651005-06)	(651005-06)	(651005-06)
U4	Ic, Microprocessor	1	651031	651031	651031	651031	651031
F1,2	Polyswitch, Rxe Series	2	(651055-08)	(651055-08)	(651055-08)	(651055-08)	(651055-08)

Note: Part Numbers enclosed in brackets ( ) are not available individually, but may be sold in assemblies or kits.

IESP12RK2S/ IESP16RK2S/ IESP24RK2S/ IESP32RK2S/ IESP40RK2S  
 (TWO-WIRE COMMUNICATION, FOR STAINLESS STEEL PEDESTAL,  
 INTERNATIONAL, 240 VOLT, 50 Hz)

**PWB ASSY ESP-MC ESC-1 CONTROLLER**



Ref.	Description	Qty.	12	16	24	32	40
<b>PWB ASSY ESP-MC ESC-1 CONTROLLER</b>							
S7	Switch Rotary	1	(630609)	(630609)	(630609)	(630609)	(630609)
S8	Switch, Slide	1	(630651)	(630651)	(630651)	(630651)	(630651)
-	Label, Bar Code 39	1	(631356-01)	(631356-01)	(631356-01)	(631356-01)	(631356-01)
LCD1	Spacer, LCD	1	(632046)	(632046)	(632046)	(632046)	(632046)
P2	Sensor Cable	1	(632048-01)	(632048-01)	(632048-01)	(632048-01)	(632048-01)
J2	Spring, Shield .70 Long	1	(632898-01)	(632898-01)	(632898-01)	(632898-01)	(632898-01)
LCD1	Liquid, Crystal Display	1	(633087)	(633087)	(633087)	(633087)	(633087)
U1	Microcomp., Toshiba, OTP	1	(633088)	(633088)	(633088)	(633088)	(633088)
P1	Ribbon Cable Assy 50Ckts	1	(633090)	(633090)	(633090)	(633090)	(633090)
-	Printed Wiring Board	1	(634228)	(634228)	(634228)	(634228)	(634228)
C12	Capacitor, ceramic radial 6pF, 50V	1	(650012-04)	(650012-04)	(650012-04)	(650012-04)	(650012-04)
U2	Washer, Flat, carbon Steel	1	(650023-03)	(650023-03)	(650023-03)	(650023-03)	(650023-03)

Note: Part Numbers enclosed in brackets ( ) are not available individually, but may be sold in assemblies or kits.

IESP12RK2S/ IESP16RK2S/ IESP24RK2S/ IESP32RK2S/ IESP40RK2S  
(TWO-WIRE COMMUNICATION, FOR STAINLESS STEEL PEDESTAL,  
INTERNATIONAL, 240 VOLT, 50 Hz)

Ref.	Description	Qty.	12	16	24	32	40
<b>PWB ASSY ESP-MC ESC-1 CONTROLLER, CONT.</b>							
CR6	Diode, Switching	1	650037-01	650037-01	650037-01	650037-01	650037-01
CR7	Diode, Switching	1	650037-01	-	650037-01	-	650037-01
CR8	Diode, Switching	1	-	650037-01	650037-01	-	-
CR9	Diode, Switching	1	-	-	-	650037-01	650037-01
CR11-18	Diode, Switching	8	650037-01	650037-01	650037-01	650037-01	650037-01
VR1	Diode, Zener, 500mW, 5.6V	1	(650038-71)	(650038-71)	(650038-71)	(650038-71)	(650038-71)
C7, 15	Capacitor, Electrolytic, Axial 47uF, 10V	2	(650044-03)	(650044-03)	(650044-03)	(650044-03)	(650044-03)
BAT	Battery Snap 9V	1	650075	650075	650075	650075	650075
CR1-5 C19	Diode, Gen Purpose, 1Amp	6	650077-02	650077-02	650077-02	650077-02	650077-02
R23, 85 R98	Resistor, Carbon Film, 1/4W, 10Ohms	2	(650079-25)	(650079-25)	(650079-25)	(650079-25)	(650079-25)
R49-56 R24, 32,	Resistor, Carbon Film 1/4W, 150Ohms	11	(650079-53)	(650079-53)	(650079-53)	(650079-53)	(650079-53)
R57-60	Resistor, Carbon Film 1/4W, 150Ohms	4	(650079-53)	(650079-53)	(650079-53)	(650079-53)	(650079-53)
R61-64	Resistor, Carbon Film 1/4W, 150Ohms	4	-	(650079-53)	(650079-53)	(650079-53)	(650079-53)
R65-72	Resistor, Carbon Film 1/4W, 150Ohms	8	-	-	(650079-53)	(650079-53)	(650079-53)
R33-40	Resistor, Carbon Film 1/4W, 150Ohms	8	-	-	-	(650079-53)	(650079-53)
R41-48	Resistor, Carbon Film 1/4W, 150Ohms	8	-	-	-	-	(650079-53)
R25-31	Resistor, Carbon Film 1/4W 470Ohms	7	(650079-65)	(650079-65)	(650079-65)	(650079-65)	(650079-65)
R17, 95	Resistor, Carbon Film, 1/4W, 1KOhm	2	(650079-73)	(650079-73)	(650079-73)	(650079-73)	(650079-73)
R76	Resistor, Carbon Film, 1/4W, 2KOhms	1	(650079-80)	(650079-80)	(650079-80)	(650079-80)	(650079-80)
R2	Resistor, Carbon Film, 1/4W 3.3KOhms	1	(650079-85)	(650079-85)	(650079-85)	(650079-85)	(650079-85)
R88-90 R84, 87 R20-22	Resistor, Carbon Film, 1/4W, 4.7KOhms	8	650079-89	650079-89	650079-89	650079-89	650079-89
R92	Resistor, Carbon Film, 1/4W, 8.2KOhms	1	(650079-95)	(650079-95)	(650079-95)	(650079-95)	(650079-95)
R19, 91	Resistor, Carbon Film, 1/4W, 10Kohms	2	(650079-97)	(650079-97)	(650079-97)	(650079-97)	(650079-97)
R83, 86 R18, 80 R94	Resistor, Carbon Film, 1/4W, 47KOhms	4	(650080-14)	(650080-14)	(650080-14)	(650080-14)	(650080-14)
R82, 93, R43, 81 R4-16	Resistor, Carbon Film, 1/4W 100Kohms	18	(650080-22)	(650080-22)	(650080-22)	(650080-22)	(650080-22)
R96, 97 R74, 75 R3	Resistor, Carbon Film, 1/4W, 220KOhms	5	(650080-30)	(650080-30)	(650080-30)	(650080-30)	(650080-30)
C20, 24 C16, 17 C10, 14 C3, 8, 9	Capacitor, Ceramic Axial .1uF, 50V	9	(650085-55)	(650085-55)	(650085-55)	(650085-55)	(650085-55)

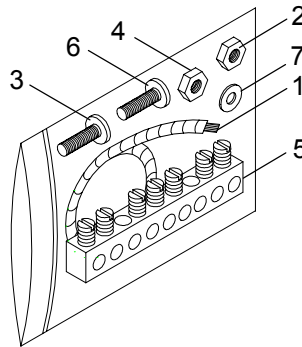
Note: Part Numbers enclosed in brackets ( ) are not available individually, but may be sold in assemblies or kits.

IESP12RK2S/ IESP16RK2S/ IESP24RK2S/ IESP32RK2S/ IESP40RK2S  
(TWO-WIRE COMMUNICATION, FOR STAINLESS STEEL PEDESTAL,  
INTERNATIONAL, 240 VOLT, 50 Hz)

Ref.	Description	Qty.	12	16	24	32	40
<b>PWB ASSY ESP-MC ESC-1 CONTROLLER, CONT.</b>							
C21	Capacitor, Ceramic Axial .1uF, 50V	1	(650085-55)	(650085-55)	(650085-55)	(650085-55)	(650085-55)
C22	Capacitor, Ceramic Axial .1uF, 50V	1	-	-	(650085-55)	(650085-55)	(650085-55)
C18	Capacitor, Ceramic Axial .1uF, 50V	1	-	-	-	(650085-55)	(650085-55)
C19	Capacitor, Ceramic Axial .1uF, 50V	1	-	-	-	-	(650085-55)
U2	Rivet, Blind Dome HD. .125Dia	1	(650139-05)	(650139-05)	(650139-05)	(650139-05)	(650139-05)
R78,79	Resistor, Carbon Film, 1/2W, 1KOhms	2	(650202-73)	(650202-73)	(650202-73)	(650202-73)	(650202-73)
L1-7	Inductor, Ferrite Bead	7	650300-05	650300-05	650300-05	650300-05	650300-05
U3	IC Quad OP Amp	1	650358	650358	650358	650358	650358
Q3,4	Transistor, NPN, 624mW	2	650367	650367	650367	650367	650367
Q1,2	Transistor, PNP	2	650369	650369	650369	650369	650369
Y2	Crystal, Quartz 32.768KHz	1	(650484)	(650484)	(650484)	(650484)	(650484)
TS1	Transient Suppressor 6.8V	1	(650595-01)	(650595-01)	(650595-01)	(650595-01)	(650595-01)
C5	Capacitor, Electrolytic, Axial 330uF, 25V	1	(650624)	(650624)	(650624)	(650624)	(650624)
U4	3-8 Line Decoder	1	650699	650699	650699	650699	650699
S2,3,4 S5,6	Switch, Pushbutton	5	(650748)	(650748)	(650748)	(650748)	(650748)
C23,25 C1,2,11	Capacitor, ceramic Axial .01uF, 100V	5	(650882-01)	(650882-01)	(650882-01)	(650882-01)	(650882-01)
C6	Capacitor, NPO, Axial 10pF, 100V	1	(650883-13)	(650883-13)	(650883-13)	(650883-13)	(650883-13)
C26	Capacitor, NPO, Axial 220pF, 100V	1	(650883-17)	(650883-17)	(650883-17)	(650883-17)	(650883-17)
U5,8	8Bit Addressable Latch	2	650889	650889	650889	650889	650889
U9	8Bit Addressable Latch	1	650889	650889	650889	650889	650889
U10	8Bit Addressable Latch	1	-	-	650889	650889	650889
U6	8Bit Addressable Latch	1	-	-	-	650889	650889
U7	8Bit Addressable Latch	1	-	-	-	-	650889
DS1-8	Led, red, .200Ctrs.	8	650910	650910	650910	650910	650910
U2	Regulator, Low Dropout	1	(650962)	(650962)	(650962)	(650962)	(650962)
J2	Eyelet, Spring	1	(650985)	(650985)	(650985)	(650985)	(650985)
J1	Header, Polzd. Radial, .100Ctrs 6Pins	1	(651005-06)	(651005-06)	(651005-06)	(651005-06)	(651005-06)
B1	Battery, Lithium	1	(651009)	(651009)	(651009)	(651009)	(651009)
B1	Holder, Battery Coin	1	(651010)	(651010)	(651010)	(651010)	(651010)
U11	IC, Real Time Clock	1	(651011)	(651011)	(651011)	(651011)	(651011)
U12	IC, EEPROM-4K Byte, Serial	1	(651012)	(651012)	(651012)	(651012)	(651012)
Y1	Resonator, ceramic 8.00MHz	1	(651013)	(651013)	(651013)	(651013)	(651013)
U13	IC, 8Bit Input Mux	1	(651014)	(651014)	(651014)	(651014)	(651014)
C4	Capacitor, Electrolytic, Axial 1000uF, 25V	1	(651054-12)	(651054-12)	(651054-12)	(651054-12)	(651054-12)
RPF1	Polyswitch, RXE, 60V, .65A	1	(651055-08)	(651055-08)	(651055-08)	(651055-08)	(651055-08)
S9	Switch Slide	1	(651292)	(651292)	(651292)	(651292)	(651292)

Note: Part Numbers enclosed in brackets ( ) are not available individually, but may be sold in assemblies or kits.

IESP12RK2S/ IESP16RK2S/ IESP24RK2S/ IESP32RK2S/ IESP40RK2S  
(TWO-WIRE COMMUNICATION, FOR STAINLESS STEEL PEDESTAL,  
INTERNATIONAL, 240 VOLT, 50 Hz)



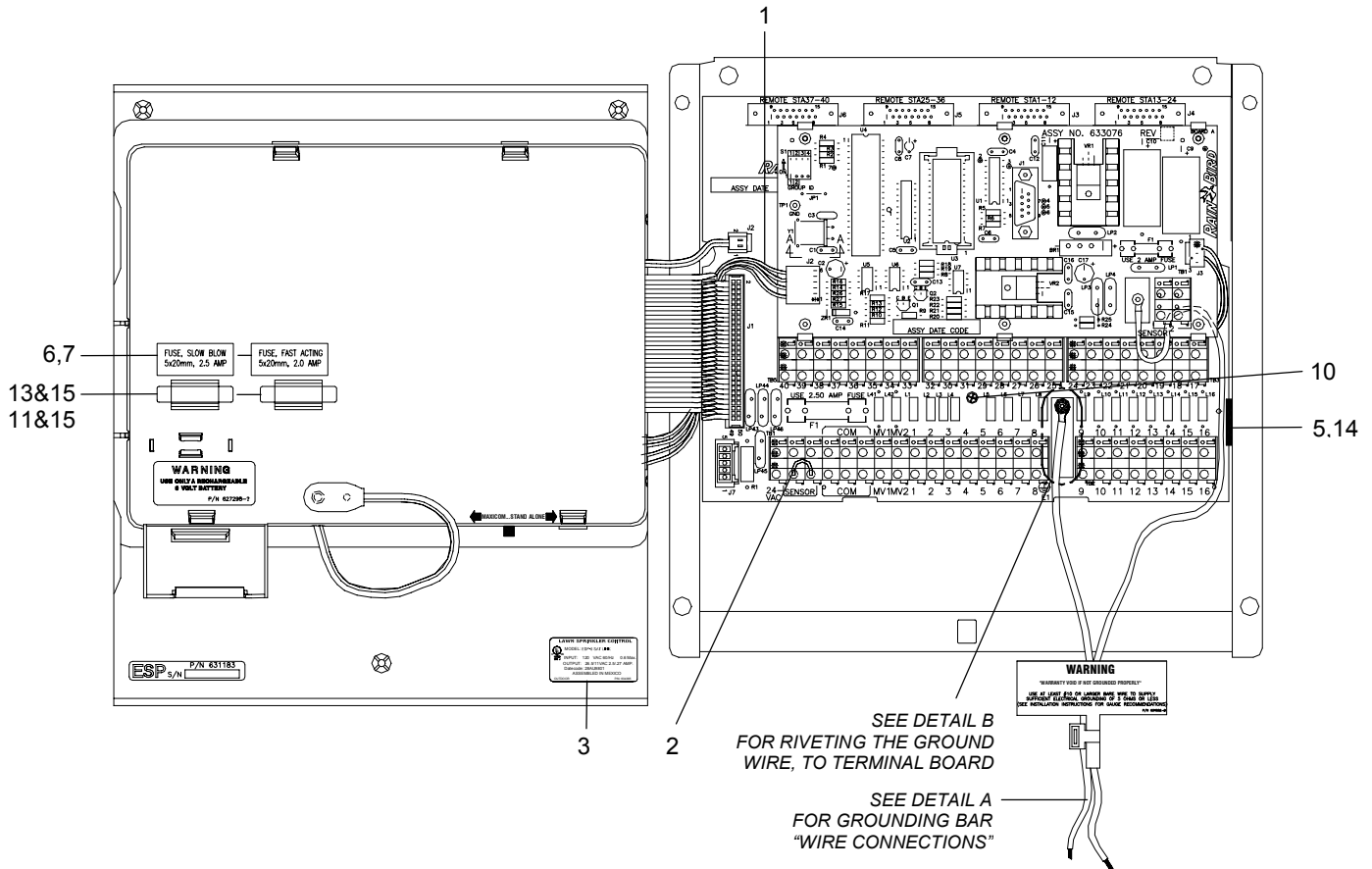
**BAR BUS MOUNTING KIT**

Ref.	Description	Qty.	12	16	24	32	40
<b>ACCESSORIES</b>							
-	Label Box 50 Cycle	1	(622974)	(622974)	(622974)	(622974)	(622974)
-	Locknut Conduit	1	(628013)	(628013)	(628013)	(628013)	(628013)
-	Bag, Poly 4 x 5	2	(628282-06)	(628282-06)	(628282-06)	(628282-06)	(628282-06)
-	Card, Customer Registration-Tm	1	(632354)	(632354)	(632354)	(632354)	(632354)
-	Xfmr Assy, 11&26 Volt	1	633148-02	633148-02	633148-02	633148-02	633148-02
-	Xfmr, Power-230Vac,50Hz	1	(633147)	(633147)	(633147)	(633147)	(633147)
-	Cable Tie, Nylon 7/8 Bundle	1	650131	650131	650131	650131	650131
-	Terminal Crimp Molex	5	650323	650323	650323	650323	650323
-	Housing Crimp Terminal 5 Circ	1	(650873-05)	(650873-05)	(650873-05)	(650873-05)	(650873-05)
-	Bead, Shield, Ferrite, 200 Ohms	1	(651123)	(651123)	(651123)	(651123)	(651123)
-	Instructions, Instl&Oper	1	633686	633686	633686	633686	633686
-	Bracket, Xfmr Esp-Sat Retro Ped	1	(633745)	(633745)	(633745)	(633745)	(633745)
-	Connector, Xfmr, Retrofit	1	(633748)	(633748)	(633748)	(633748)	(633748)
-	Instructions, Instal	1	(633819)	(633819)	(633819)	(633819)	(633819)
-	Sheet, Info, Retro Pilot	1	(633894)	(633894)	(633894)	(633894)	(633894)
-	Guide, Operations Adden	1	(633942)	(633942)	(633942)	(633942)	(633942)
-	Bar, Bus Mounting Kit	1	(634986)	(634986)	(634986)	(634986)	(634986)
1	Ground Wire Assy 12 Awg (15)	1	(634943-15)	(634943-15)	(634943-15)	(634943-15)	(634943-15)
2	Nut, Pl, Hex, #8-32, Cres, Psvtd	4	(650033-04)	(650033-04)	(650033-04)	(650033-04)	(650033-04)
3	Screw 8-32	4	(650105-48)	(650105-48)	(650105-48)	(650105-48)	(650105-48)
4	Nut, #8-32 Hex W/Star Washer	4	(650634-04)	(650634-04)	(650634-04)	(650634-04)	(650634-04)
-	Bag, Zip Lock, Plastic, 2/5x3	1	(650924-03)	(650924-03)	(650924-03)	(650924-03)	(650924-03)
5	Bar Bus Grounding 2	2	(651440)	(651440)	(651440)	(651440)	(651440)
6	Screw, Rnd Hd Tamper Proof #8	2	(651457)	(651457)	(651457)	(651457)	(651457)
7	Washer, ss With Neoprene #8	2	(651458)	(651458)	(651458)	(651458)	(651458)
-	Groudning Int. Addendum Ss Cont	1	(635009)	(635009)	(635009)	(635009)	(635009)
-	Washer, Flat #8 .032	4	(650023-10)	(650023-10)	(650023-10)	(650023-10)	(650023-10)
-	Screw, Mach, Phn, 8-32 21/2 Cres	4	(650106-55)	(650106-55)	(650106-55)	(650106-55)	(650106-55)
-	Screw, Phh, Rnd, Wshr, Hd, Type B	4	650565-28	650565-28	650565-28	650565-28	650565-28
-	Nut, Speed, U-Tupe, 6AB Thread	4	(650684)	(650684)	(650684)	(650684)	(650684)
-	Battery, Nicad 7.2V	1	650929	650929	650929	650929	650929
-	Lock Washer, External Tooth	1	(651389)	(651389)	(651389)	(651389)	(651389)

Note: Part Numbers enclosed in brackets ( ) are not available individually, but may be sold in assemblies or kits.

IESP12RKLS/ IESP16RKLS/ IESP24RKLS/ IESP32RKLS/ IESP40RKLS  
 (LINK RADIO COMMUNICATION, FOR STAINLESS STEEL PEDESTAL,  
 INTERNATIONAL, 240 VOLT, 50 Hz)

**BRACKET ASSEMBLY ESP-SAT RFK**



SEE DETAIL B  
 FOR RIVETING THE GROUND  
 WIRE, TO TERMINAL BOARD

SEE DETAIL A  
 FOR GROUNDING BAR  
 "WIRE CONNECTIONS"

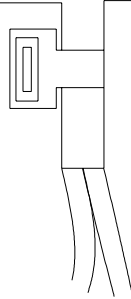
Ref.	Description	Qty.	12	16	24	32	40
	<b>BRACKET ASSEMBLY ESP-SAT RFK</b>		(633814-20)	(633814-21)	(633814-22)	(633814-23)	(633814-24)
-	Spacer, Terminal Board	1	(631919)	(631919)	(631919)	(631919)	(631919)
1	Cable Assy, 2Wire/Link Intfc-Mc	1	(633132)	(633132)	(633132)	(633132)	(633132)
2	Sensor Jumper Wire	1	(633442)	(633442)	(633442)	(633442)	(633442)
-	Label, Caution	1	(633657)	(633657)	(633657)	(633657)	(633657)
-	Bracket, Ss Ped, Retrofit-Esp Sat	1	(633744)	(633744)	(633744)	(633744)	(633744)
3	Label, Rating	1	(634385-10)	(634385-10)	(634385-10)	(634385-10)	(634385-10)
4	Label Warning Grounding	1	(634502)	(634502)	(634502)	(634502)	(634502)
5	Label, Warning Corrosion Inhib	1	(634558)	(634558)	(634558)	(634558)	(634558)
6	Label, Fuse 2.5 Amp	1	(634615)	(634615)	(634615)	(634615)	(634615)
7	Label, Fuse 2.0 Amp.	1	(634616)	(634616)	(634616)	(634616)	(634616)
8	Ground Wire Assy 12 Awg (11)	1	(634943-11)	(634943-11)	(634943-11)	(634943-11)	(634943-11)
-	Washer, Flat #10 .032	4	(650023-13)	(650023-13)	(650023-13)	(650023-13)	(650023-13)
-	Cable Tie, Nylon 7/8 Bundle	1	650131	650131	650131	650131	650131
9	Wshr Lk, #10, Ext-Tooth, Z-Pltd	2	(650162-04)	(650162-04)	(650162-04)	(650162-04)	(650162-04)
10	Screw Phl Pnh Hi-Lo 7-19x1/2	3	(650183-63)	(650183-63)	(650183-63)	(650183-63)	(650183-63)
11	Fuse 5x20MM 2 Amps	1	(650307-03)	(650307-03)	(650307-03)	(650307-03)	(650307-03)

Note: Part Numbers enclosed in brackets ( ) are not available individually, but may be sold in assemblies or kits.

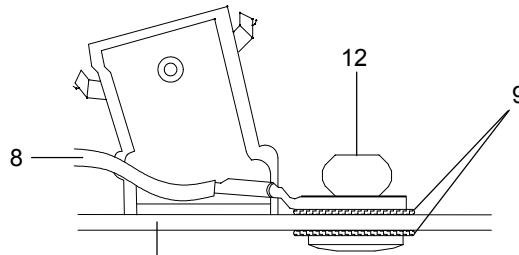
IESP12RKLS/ IESP16RKLS/ IESP24RKLS/ IESP32RKLS/ IESP40RKLS  
 (LINK RADIO COMMUNICATION, FOR STAINLESS STEEL PEDESTAL,  
 INTERNATIONAL, 240 VOLT, 50 Hz)

GROUND WIRE FROM R  
 TERMINAL BOARD

**WARNING**  
 "WARRANTY VOID IF NOT GROUNDED PROPERLY"  
 USE AT LEAST #10 OR LARGER BARE WIRE TO SUPPLY  
 SUFFICIENT ELECTRICAL GROUNDING OF 5 OHMS OR LESS  
 (SEE INSTALLATION INSTRUCTIONS FOR GAUGE RECOMMENDATIONS)  
 P/N 634502-B



**DETAIL A**  
 VIEWED FROM OUTSIDE  
 OF THE CONTROLLER



MC TERMINAL BOARD

**DETAIL B**  
 VIEWED FROM RIGHT SIDE  
 OF THE CONTROLLER

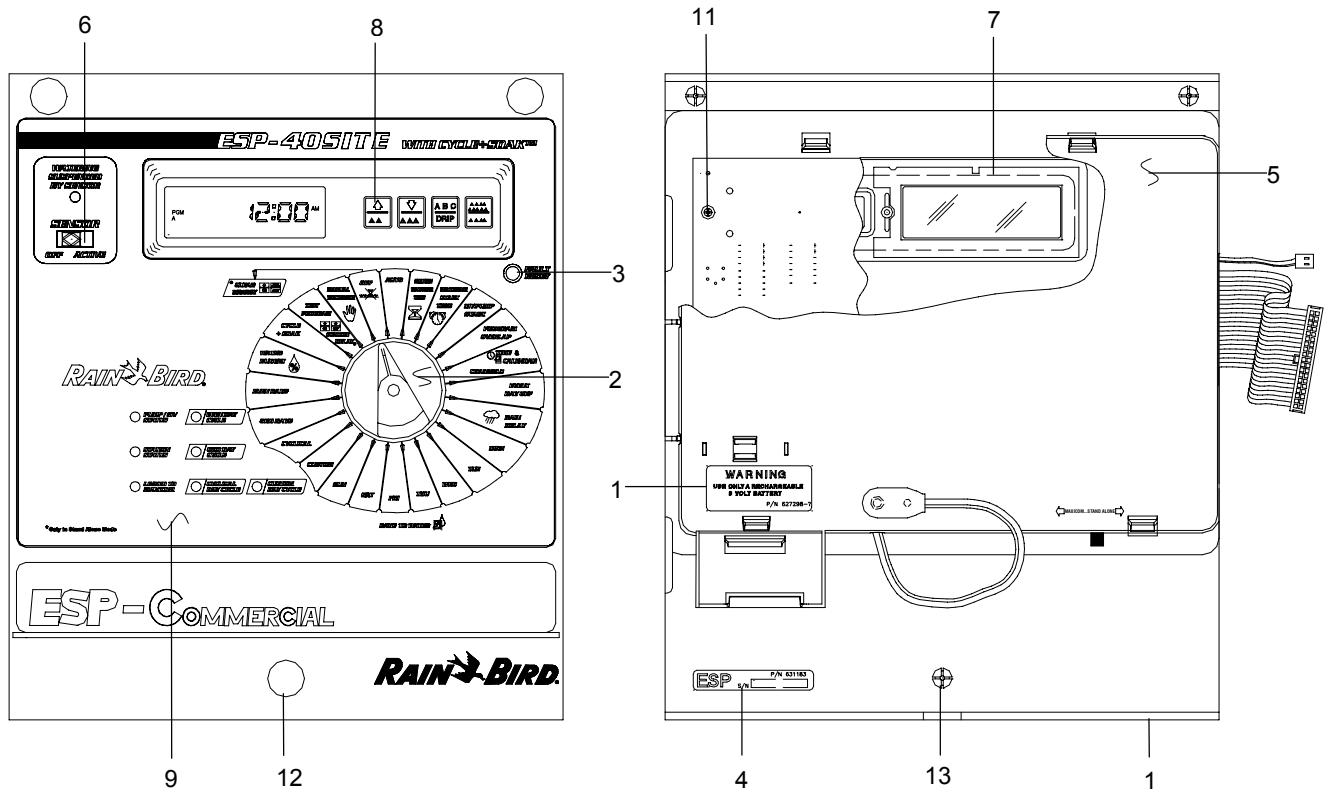
Ref.	Description	Qty.	12	16	24	32	40
<b>BRACKET ASSEMBLY ESP-SAT RFK, CONT.</b>							
12	Rivet, Blind 0.19	5	(650434-13)	(650434-13)	(650434-13)	(650434-13)	(650434-13)
-	Spacer, Circuit Board, Edge Hold	6	(650912-10)	(650912-10)	(650912-10)	(650912-10)	(650912-10)
13	Fuse, 5x20MM, Slow Blow 2 1/2 Amp	1	650966-14	650966-14	650966-14	650966-14	650966-14
14	Impregnated Foam Corrosion Inh	1	(651331)	(651331)	(651331)	(651331)	(651331)
15	Holder Fuse	2	(651384)	(651384)	(651384)	(651384)	(651384)
<b>ACCESSORIES</b>							
-	Label Box 50 Cycle	1	(622974)	(622974)	(622974)	(622974)	(622974)
-	Locknut Conduit	1	(628013)	(628013)	(628013)	(628013)	(628013)
-	Bag, Poly 4 x 5	2	(628282-06)	(628282-06)	(628282-06)	(628282-06)	(628282-06)
-	Card, Customer Registrations -Tm	1	(632354)	(632354)	(632354)	(632354)	(632354)
-	Xfmr Assy, Link, 230V	1	(633165-02)	(633165-02)	(633165-02)	(633165-02)	(633165-02)
-	Carton, Shipping-Esp-Mc/Rc-C	1	(633178)	(633178)	(633178)	(633178)	(633178)
-	Instructions, Intl&oper	1	633686	633686	633686	633686	633686
-	Bracket, Xfmr Esp-Sat Retro Ped	1	(633745)	(633745)	(633745)	(633745)	(633745)
-	Connector, Sfmr, Retro Fit	1	(633748)	(633748)	(633748)	(633748)	(633748)
-	Intructions, Instal	1	(633819)	(633819)	(633819)	(633819)	(633819)
-	Sheet, Info, Retro Pilot	1	(633894)	(633894)	(633894)	(633894)	(633894)
-	Guide, Operations Adden, Esp-Sat	1	(633942)	(633942)	(633942)	(633942)	(633942)
-	Grounding Int. Addendum Ss Cont	1	(635009)	(635009)	(635009)	(635009)	(635009)
-	Washer, Flat #8 .032	4	(650023-10)	(650023-10)	(650023-10)	(650023-10)	(650023-10)
-	Screw, Mach, Phn, 8-32, 2 1/2 Cres	4	(650106-55)	(650106-55)	(650106-55)	(650106-55)	(650106-55)
-	Screw, Phh, Rnd, Wshr, Hd, Type B	4	650565-28	650565-28	650565-28	650565-28	650565-28
-	Nut, Speed, U-Type, 6AB Thread	4	(650684)	(650684)	(650684)	(650684)	(650684)
-	Battery, Nicad 7.2V	1	650929	650929	650929	650929	650929
-	Lock Washer, External Tooth	1	(651389)	(651389)	(651389)	(651389)	(651389)

Note: Part Numbers enclosed in brackets ( ) are not available individually, but may be sold in assemblies or kits.



IESP12RKLS/ IESP16RKLS/ IESP24RKLS/ IESP32RKLS/ IESP40RKLS  
 (LINK RADIO COMMUNICATION, FOR STAINLESS STEEL PEDESTAL,  
 INTERNATIONAL, 240 VOLT, 50 Hz)

**FRONT PANEL ASSEMBLY**

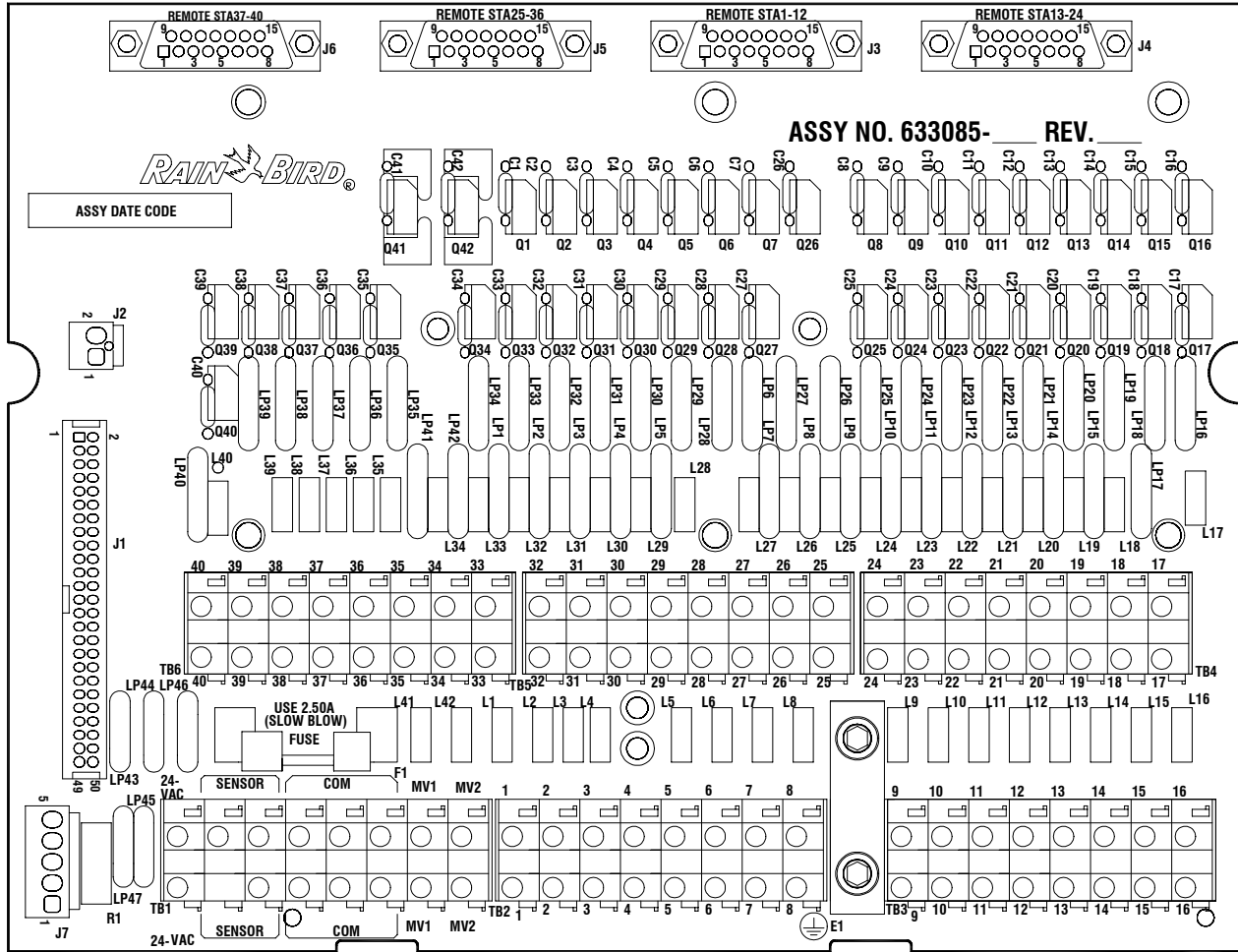


Ref.	Description	Qty.	12	16	24	32	40
<b>FRONT PANEL ASSEMBLY</b>			(633815-02)	(633815-03)	(633815-04)	(633815-05)	(633815-06)
1	Label Warning Cic 8/12	1	(627298)	(627298)	(627298)	(627298)	(627298)
2	Funct Select Knob Assy, Gray	1	(630946)	(630946)	(630946)	(630946)	(630946)
-	Esp Funct Select Knob, Gray	1	(630947)	(630947)	(630947)	(630947)	(630947)
-	Ring Compression	1	(650505-06)	(650505-06)	(650505-06)	(650505-06)	(650505-06)
3	Button, Tm Pb Switch	1	(631136)	(631136)	(631136)	(631136)	(631136)
4	Label, Serial	1	(631183)	(631183)	(631183)	(631183)	(631183)
5	Cover, Pwb	1	(631920)	(631920)	(631920)	(631920)	(631920)
6	Switch, Asctuator-Paragon	1	(632510)	(632510)	(632510)	(632510)	(632510)
7	Lens, Lcd-Esp-C/Lx	1	632700	632700	632700	632700	632700
8	Keypad, Silicone	1	(632908)	(632908)	(632908)	(632908)	(632908)
9	Overlay, Fr Panel, 12Sta, Esp-Sat	1	(633324-02)	(633324-03)	(633324-04)	(633324-05)	(633324-06)
10	Retro Kit Assy, Frt Pnl-Esp-Sat	1	(633871)	(633871)	(633871)	(633871)	(633871)
-	Shield, Front Panel	1	(632897)	(632897)	(632897)	(632897)	(632897)
-	Front Panel,Sub-Assy,P/Esp-St	1	(633810)	(633810)	(633810)	(633810)	(633810)
-	Front Panel Esp-Mc	1	(631918)	(631918)	(631918)	(631918)	(631918)
11	Screw, 4-24 x 5/16 Hi-Lo W/Wshr	5	(650563-23)	(650563-23)	(650563-23)	(650563-23)	(650563-23)
12	Lock, Plunger	3	(650927-02)	(650927-02)	(650927-02)	(650927-02)	(650927-02)
13	Lock, Grommet	3	(650928-02)	(650928-02)	(650928-02)	(650928-02)	(650928-02)

Note: Part Numbers enclosed in brackets ( ) are not available individually, but may be sold in assemblies or kits.

IESP12RKLS/ IESP16RKLS/ IESP24RKLS/ IESP32RKLS/ IESP40RKLS  
 (LINK RADIO COMMUNICATION, FOR STAINLESS STEEL PEDESTAL,  
 INTERNATIONAL, 240 VOLT, 50 Hz)

PWB ASSY TERMINAL



Ref.	Description	Qty.	12	16	24	32	40
<b>PWB ASSY TERMINAL</b>							
LP45,47	Mov 56V,1000A	2	(633085-08)	(633085-09)	(633085-10)	(633085-11)	(633085-12)
LP46	Mov 56V,1000A	1	624624	624624	624624	624624	624624
-	Label, Bar Code 39	1	(631356-01)	(631356-01)	(631356-01)	(631356-01)	(631356-01)
-	Printed Wiring Board	1	(633086)	(633086)	(633086)	(633086)	(633086)
-	Solder	.001	(650160)	(650160)	(650160)	(650160)	(650160)
L1-8, L41,L42	Inductor, Ferrite Bead	10	650300-05	650300-05	650300-05	650300-05	650300-05
L9-12	Inductor, Ferrite Bead	4	650300-05	650300-05	650300-05	650300-05	650300-05
L13-16	Inductor, Ferrite Bead	4	-	650300-05	650300-05	650300-05	650300-05
L17-24	Inductor, Ferrite Bead	8	-	-	650300-05	650300-05	650300-05
L25-32	Inductor, Ferrite Bead	8	-	-	-	650300-05	650300-05

Note: Part Numbers enclosed in brackets ( ) are not available individually, but may be sold in assemblies or kits.

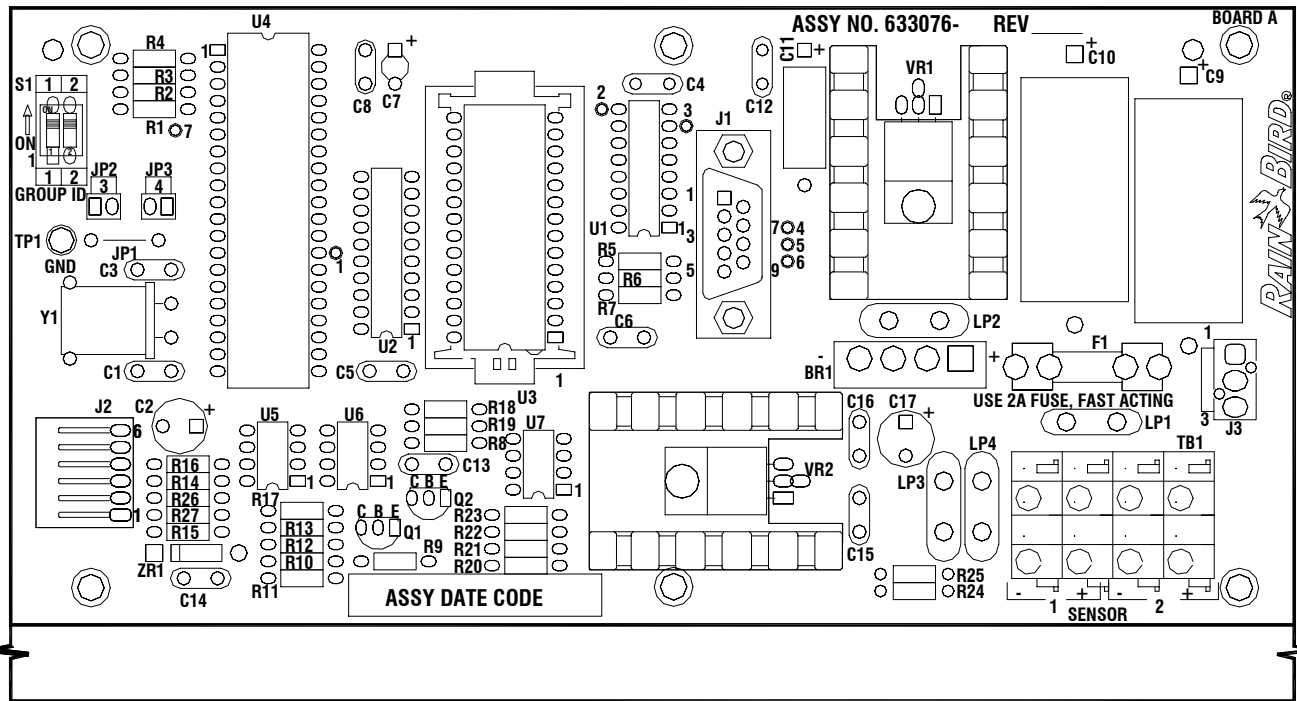
IESP12RKLS/ IESP16RKLS/ IESP24RKLS/ IESP32RKLS/ IESP40RKLS  
(LINK RADIO COMMUNICATION, FOR STAINLESS STEEL PEDESTAL,  
INTERNATIONAL, 240 VOLT, 50 Hz)

Ref.	Description	Qty.	12	16	24	32	40
<b>PWB ASSY TERMINAL, CONT.</b>							
L33-40	Inductor, Ferrite Bead	8	-	-	-	-	650300-05
-	Mini Fuse Clips .197 Dia	2	(650308)	(650308)	(650308)	(650308)	(650308)
J3	Connector, DB15S 15Pins	1	(650610-06)	(650610-06)	(650610-06)	(650610-06)	(650610-06)
J4	Connector, DB15S 15Pins	1	-	(650610-06)	(650610-06)	(650610-06)	(650610-06)
J5	Connector, DB15S 15Pins	1	-	-	-	(650610-06)	(650610-06)
J6	Connector, DB15S 15Pins	1	-	-	-	-	(650610-06)
J3	Jack Socket Kit	1	(650620)	(650620)	(650620)	(650620)	(650620)
J4	Jack Socket Kit	1	-	(650620)	(650620)	(650620)	(650620)
J5	Jack Socket Kit	1	-	-	-	(650620)	(650620)
J6	Jack Socket Kit	1	-	-	-	-	(650620)
R1	Resistor, 2%, 2W, .1Ohm	1	(650766-01)	(650766-01)	(650766-01)	(650766-01)	(650766-01)
LP1-8	Mov 20MM 47V, 2000A	10	650796	650796	650796	650796	650796
LP41,42	Mov 20MM 47V, 2000A	4	650796	650796	650796	650796	650796
LP9-12	Mov 20MM 47V, 2000A	4	-	650796	650796	650796	650796
LP13-16	Mov 20MM 47V, 2000A	4	-	-	650796	650796	650796
LP17-24	Mov 20MM 47V, 2000A	8	-	-	650796	650796	650796
LP25-32	Mov 20MM 47V, 2000A	8	-	-	-	650796	650796
LP33-40	Mov 20MM 47V, 2000A	8	-	-	-	-	650796
J1	Header, Polzd., .100Ctrs. 50Pins.	1	(650872-50)	(650872-50)	(650872-50)	(650872-50)	(650872-50)
LP44	Mov 47V, 1000A	1	650875	650875	650875	650875	650875
C1-8	Capacitor Ceramic Axial .01uF, 100V	10	(650882-01)	(650882-01)	(650882-01)	(650882-01)	(650882-01)
C41,42	Capacitor Ceramic Axial .01uF, 100V	4	(650882-01)	(650882-01)	(650882-01)	(650882-01)	(650882-01)
C9-12	Capacitor Ceramic Axial .01uF, 100V	4	-	(650882-01)	(650882-01)	(650882-01)	(650882-01)
C13-16	Capacitor Ceramic Axial .01uF, 100V	4	-	-	(650882-01)	(650882-01)	(650882-01)
C17-24	Capacitor Ceramic Axial .01uF, 100V	8	-	-	-	(650882-01)	(650882-01)
C25-32	Capacitor Ceramic Axial .01uF, 100V	8	-	-	-	-	(650882-01)
C33-40	Capacitor Ceramic Axial .01uF, 100V	8	-	-	-	-	(650882-01)
-	Mini Fuse .197Dia 2.5 Amp	1	650966-14	650966-14	650966-14	650966-14	650966-14
TB1,2	Terminal Block .300spc 1Pos	16	(651000-01)	(651000-01)	(651000-01)	(651000-01)	(651000-01)
TB3	Terminal Block .300spc 1Pos	8	(651000-01)	(651000-01)	(651000-01)	(651000-01)	(651000-01)
TB4	Terminal Block .300spc 1Pos	8	-	-	(651000-01)	(651000-01)	(651000-01)
TB5	Terminal Block .300spc 1Pos	8	-	-	-	(651000-01)	(651000-01)
TB6	Terminal Block .300spc 1Pos	8	-	-	-	-	(651000-01)
Q1-8	Triac, 6Amps	10	651138	651138	651138	651138	651138
Q41,42	Triac, 6Amps	4	651138	651138	651138	651138	651138
Q9-12	Triac, 6Amps	4	-	651138	651138	651138	651138
Q13-16	Triac, 6Amps	4	-	-	651138	651138	651138
Q17-24	Triac, 6Amps	8	-	-	-	651138	651138
Q25-32	Triac, 6Amps	8	-	-	-	-	651138
Q33-40	Triac, 6Amps	8	-	-	-	-	651138
LP43	Mov 50V, 2500A	1	(651272)	(651272)	(651272)	(651272)	(651272)

Note: Part Numbers enclosed in brackets ( ) are not available individually, but may be sold in assemblies or kits.

IESP12RKLS/ IESP16RKLS/ IESP24RKLS/ IESP32RKLS/ IESP40RKLS  
 (LINK RADIO COMMUNICATION, FOR STAINLESS STEEL PEDESTAL,  
 INTERNATIONAL, 240 VOLT, 50 Hz)

PWB ASSY ESP-MC LINK



Ref.	Description	Qty.	12	16	24	32	40
<b>PWB ASSY ESP-MC LINK</b>							
S1	Dip Switch, Spst	1	(633076-01)	(633076-01)	(633076-01)	(633076-01)	(633076-01)
-	Label, bar Code 39	1	(631012-02)	(631012-02)	(631012-02)	(631012-02)	(631012-02)
-	Printed Wiring Board	1	(633077)	(633077)	(633077)	(633077)	(633077)
U3	Prom Carrier Assy	1	633323-03	633323-03	633323-03	633323-03	633323-03
-	Label, Mat. Brady .375 x 1.00	1	(632347-02)	(632347-02)	(632347-02)	(632347-02)	(632347-02)
-	Carrier Ic 28 Pin	1	(650517-02)	(650517-02)	(650517-02)	(650517-02)	(650517-02)
-	Ic 27c256, Dip Eprom	1	(650715)	(650715)	(650715)	(650715)	(650715)
C1,3	Capacitor, Ceramic Disc 30pF, 50V	2	(650012-15)	(650012-15)	(650012-15)	(650012-15)	(650012-15)
C4-6,8 C12,14 C15,16	Capacitor, Ceramic Disc 0.1uF, 50V	8	650013-45	650013-45	650013-45	650013-45	650013-45
C13	Capacitor, Ceramic Disc .01uF, 50V	1	(650014-27)	(650014-27)	(650014-27)	(650014-27)	(650014-27)
LP1-4	Mov 33V, 500A	4	650015	650015	650015	650015	650015

Note: Part Numbers enclosed in brackets ( ) are not available individually, but may be sold in assemblies or kits.

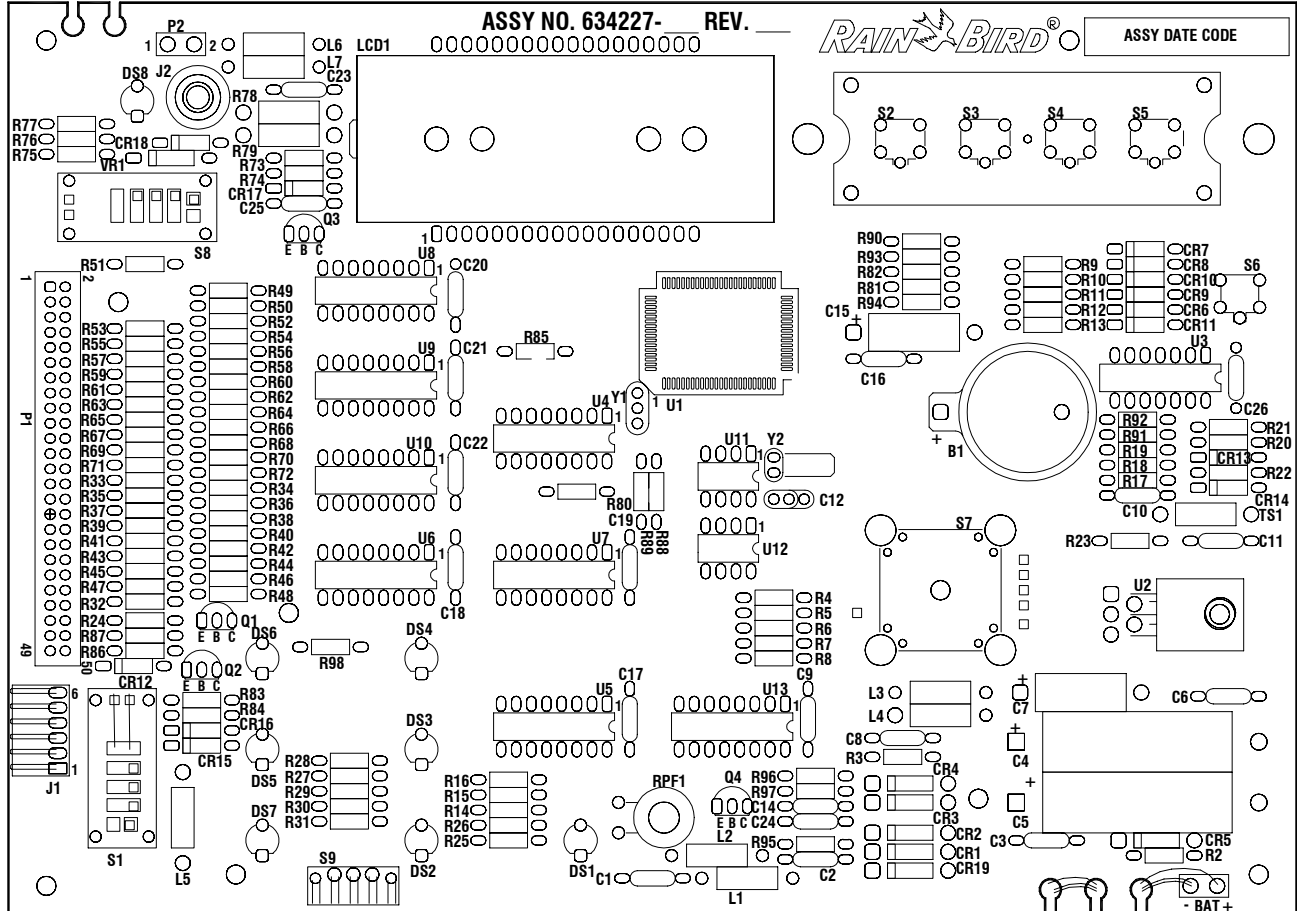
IESP12RKLS/ IESP16RKLS/ IESP24RKLS/ IESP32RKLS/ IESP40RKLS  
(LINK RADIO COMMUNICATION, FOR STAINLESS STEEL PEDESTAL,  
INTERNATIONAL, 240 VOLT, 50 Hz)

Ref.	Description	Qty.	12	16	24	32	40
<b>PWB ASSY ESP-MC LINK, CONT.</b>							
ZR1	Diode Zener	1	(650038-70)	(650038-70)	(650038-70)	(650038-70)	(650038-70)
C11	Capacitor,Electrl,Axial 47uF,25V	1	(650045-08)	(650045-08)	(650045-08)	(650045-08)	(650045-08)
R14	Resistor,Carbon Film,1/4W 100Ohms	1	650079-49	650079-49	650079-49	650079-49	650079-49
R16,17	Resistor,Carbon Film,1/4W 270Ohms	2	(650079-59)	(650079-59)	(650079-59)	(650079-59)	(650079-59)
R20-23	Resistor,Carbon Film,1/4W 1K Ohm	4	(650079-73)	(650079-73)	(650079-73)	(650079-73)	(650079-73)
R15	Resistor,Carbon Film,1/4W 1.5KOhm	1	(650079-77)	(650079-77)	(650079-77)	(650079-77)	(650079-77)
R24-26	Resistor,Carbon Film,1/4W 2KOhms	3	(650079-80)	(650079-80)	(650079-80)	(650079-80)	(650079-80)
R5-9, R11,13 R18,19	Resistor,Carbon Film,1/4W 4.7Kohm	9	650079-89	650079-89	650079-89	650079-89	650079-89
R27	Resistor,Carbon Film, 1/4W 10KOhm	1	650079-97	650079-97	650079-97	650079-97	650079-97
R1-4 R10,12	Resistor,Carbon Film, 1/4W 47KOhm	6	(650080-14)	(650080-14)	(650080-14)	(650080-14)	(650080-14)
VR1,2	Grease	0.01	(650101)	(650101)	(650101)	(650101)	(650101)
VR1,2	Rivet,Blind,Dome-head .125Dia	2	(650139-05)	(650139-05)	(650139-05)	(650139-05)	(650139-05)
-	Solder	0.01	(650160)	(650160)	(650160)	(650160)	(650160)
F1	Fuse, Mini, .197Dia 2Amps	1	(650307-03)	(650307-03)	(650307-03)	(650307-03)	(650307-03)
F1	Mini Fuse, Clips,.197Dia	2	(650308)	(650308)	(650308)	(650308)	(650308)
VR2	Voltage Regulator +5V	1	650332	650332	650332	650332	650332
VR1,2	Heatsink	2	(650335)	(650335)	(650335)	(650335)	(650335)
TP1	Test Point, PC Mount	1	(650336-01)	(650336-01)	(650336-01)	(650336-01)	(650336-01)
Q1,2	Transistor, PNP	2	650369	650369	650369	650369	650369
U5-7	I.C.,Opto Coupler	3	650445	650445	650445	650445	650445
U3	Socket, Prom Carrier 28 Pins	1	650518-02	650518-02	650518-02	650518-02	650518-02
BR1	Bridge, Rectifier 4A,200V	1	650581-03	650581-03	650581-03	650581-03	650581-03
C7	Capacitor,Tantalum Radial 2.2uF25V	1	650583-03	650583-03	650583-03	650583-03	650583-03
C2,17	Capacitor,Tantalum Radial 22uF25V	2	650583-09	650583-09	650583-09	650583-09	650583-09
J1	Connector DB-9S	1	(650610-05)	(650610-05)	(650610-05)	(650610-05)	(650610-05)
U2	Ic,Octal D-Type Latch	1	650611	650611	650611	650611	650611
J1	Jack Socket Kit	1	(650620)	(650620)	(650620)	(650620)	(650620)
Y1	Wire 22Awg Auto-Inserted .450Lead	0.55	(650625-03)	(650625-03)	(650625-03)	(650625-03)	(650625-03)
Y1	Crystal, Quartz 11.059MHz	1	650721	650721	650721	650721	650721
U1	Hex Bus Driver	1	650776	650776	650776	650776	650776
J3	Header,.156Ctrs 3 Pins	1	(650893-03)	(650893-03)	(650893-03)	(650893-03)	(650893-03)
VR1	Voltage Regulator +8V	1	650939	650939	650939	650939	650939
C9,10	Capacitor,Electrl,Axial 3300uF,25V	2	(650954)	(650954)	(650954)	(650954)	(650954)
TB1	Terminal. Blk. .300Ctrs 1 Posicion	4	(651000-01)	(651000-01)	(651000-01)	(651000-01)	(651000-01)
J2	Header,Polzd.,Ra,0.098 Ctrs.	1	(651005-06)	(651005-06)	(651005-06)	(651005-06)	(651005-06)
U4	Ic,Microcomputer	1	651031	651031	651031	651031	651031

Note: Part Numbers enclosed in brackets ( ) are not available individually, but may be sold in assemblies or kits.

IESP12RKLS/ IESP16RKLS/ IESP24RKLS/ IESP32RKLS/ IESP40RKLS  
 (LINK RADIO COMMUNICATION, FOR STAINLESS STEEL PEDESTAL,  
 INTERNATIONAL, 240 VOLT, 50 Hz)

**PWB ASSY ESP-MC ESC-1 CONTROLLER**



Ref.	Description	Qty.	12	16	24	32	40
<b>PWB ASSY ESP-MC ESC-1 CONTROLLER</b>							
S7	Switch Rotary	1	(630609)	(630609)	(630609)	(630609)	(630609)
S8	Switch, Slide	1	(630651)	(630651)	(630651)	(630651)	(630651)
-	Label, Bar Code 39	1	(631356-01)	(631356-01)	(631356-01)	(631356-01)	(631356-01)
LCD1	Spacer, LCD	1	(632046)	(632046)	(632046)	(632046)	(632046)
P2	Sensor Cable	1	(632048-01)	(632048-01)	(632048-01)	(632048-01)	(632048-01)
J2	Spring, Shield .70 Long	1	(632898-01)	(632898-01)	(632898-01)	(632898-01)	(632898-01)
LCD1	Liquid, Crystal Display	1	(633087)	(633087)	(633087)	(633087)	(633087)
U1	Microcomp., Toshiba, OTP	1	(633088)	(633088)	(633088)	(633088)	(633088)
P1	Ribbon Cable Assy 50Ckts	1	(633090)	(633090)	(633090)	(633090)	(633090)
-	Printed Wiring Board	1	(634228)	(634228)	(634228)	(634228)	(634228)
C12	Capacitor, ceramic radial 6pF, 50V	1	(650012-04)	(650012-04)	(650012-04)	(650012-04)	(650012-04)
U2	Washer, Flat, carbon Steel	1	(650023-03)	(650023-03)	(650023-03)	(650023-03)	(650023-03)

Note: Part Numbers enclosed in brackets ( ) are not available individually, but may be sold in assemblies or kits.

IESP12RKLS/ IESP16RKLS/ IESP24RKLS/ IESP32RKLS/ IESP40RKLS  
(LINK RADIO COMMUNICATION, FOR STAINLESS STEEL PEDESTAL,  
INTERNATIONAL, 240 VOLT, 50 Hz)

Ref.	Description	Qty.	12	16	24	32	40
<b>PWB ASSY ESP-MC ESC-1 CONTROLLER, CONT.</b>							
CR6	Diode, Switching	1	650037-01	650037-01	650037-01	650037-01	650037-01
CR7	Diode, Switching	1	650037-01	-	650037-01	-	650037-01
CR8	Diode, Switching	1	-	650037-01	650037-01	-	-
CR9	Diode, Switching	1	-	-	-	650037-01	650037-01
CR11-18	Diode, Switching	8	650037-01	650037-01	650037-01	650037-01	650037-01
VR1	Diode, Zener, 500mW, 5.6V	1	(650038-71)	(650038-71)	(650038-71)	(650038-71)	(650038-71)
C7, 15	Capacitor, Electrolytic, Axial 47uF, 10V	2	(650044-03)	(650044-03)	(650044-03)	(650044-03)	(650044-03)
BAT	Battery Snap 9V	1	650075	650075	650075	650075	650075
CR1-5 C19	Diode, Gen Purpose, 1Amp	6	650077-02	650077-02	650077-02	650077-02	650077-02
R23, 85 R98	Resistor, Carbon Film, 1/4W, 10Ohms	2	(650079-25)	(650079-25)	(650079-25)	(650079-25)	(650079-25)
R49-56 R24, 32,	Resistor, Carbon Film 1/4W, 150Ohms	11	(650079-53)	(650079-53)	(650079-53)	(650079-53)	(650079-53)
R57-60	Resistor, Carbon Film 1/4W, 150Ohms	4	(650079-53)	(650079-53)	(650079-53)	(650079-53)	(650079-53)
R61-64	Resistor, Carbon Film 1/4W, 150Ohms	4	-	(650079-53)	(650079-53)	(650079-53)	(650079-53)
R65-72	Resistor, Carbon Film 1/4W, 150Ohms	8	-	-	(650079-53)	(650079-53)	(650079-53)
R33-40	Resistor, Carbon Film 1/4W, 150Ohms	8	-	-	-	(650079-53)	(650079-53)
R41-48	Resistor, Carbon Film 1/4W, 150Ohms	8	-	-	-	-	(650079-53)
R25-31	Resistor, Carbon Film 1/4W 470Ohms	7	(650079-65)	(650079-65)	(650079-65)	(650079-65)	(650079-65)
R17, 95	Resistor, Carbon Film, 1/4W, 1KOhm	2	(650079-73)	(650079-73)	(650079-73)	(650079-73)	(650079-73)
R76	Resistor, Carbon Film, 1/4W, 2KOhms	1	(650079-80)	(650079-80)	(650079-80)	(650079-80)	(650079-80)
R2	Resistor, Carbon Film, 1/4W 3.3KOhms	1	(650079-85)	(650079-85)	(650079-85)	(650079-85)	(650079-85)
R88-90 R84, 87 R20-22	Resistor, Carbon Film, 1/4W, 4.7KOhms	8	650079-89	650079-89	650079-89	650079-89	650079-89
R92	Resistor, Carbon Film, 1/4W, 8.2KOhms	1	(650079-95)	(650079-95)	(650079-95)	(650079-95)	(650079-95)
R19, 91	Resistor, Carbon Film, 1/4W, 10Kohms	2	(650079-97)	(650079-97)	(650079-97)	(650079-97)	(650079-97)
R83, 86 R18, 80	Resistor, Carbon Film, 1/4W, 47KOhms	4	(650080-14)	(650080-14)	(650080-14)	(650080-14)	(650080-14)
R94 R82, 93, R43, 81 R4-16	Resistor, Carbon Film, 1/4W 100Kohms	18	(650080-22)	(650080-22)	(650080-22)	(650080-22)	(650080-22)
R96, 97 R74, 75 R3	Resistor, Carbon Film, 1/4W, 220KOhms	5	(650080-30)	(650080-30)	(650080-30)	(650080-30)	(650080-30)
C20, 24 C16, 17 C10, 14 C3, 8, 9	Capacitor, Ceramic Axial .1uF, 50V	9	(650085-55)	(650085-55)	(650085-55)	(650085-55)	(650085-55)

Note: Part Numbers enclosed in brackets ( ) are not available individually, but may be sold in assemblies or kits.

IESP12RKLS/ IESP16RKLS/ IESP24RKLS/ IESP32RKLS/ IESP40RKLS  
(LINK RADIO COMMUNICATION, FOR STAINLESS STEEL PEDESTAL,  
INTERNATIONAL, 240 VOLT, 50 Hz)

Ref.	Description	Qty.	12	16	24	32	40
<b>PWB ASSY ESP-MC ESC-1 CONTROLLER, CONT.</b>							
C21	Capacitor,Ceramic Axial .1uF,50V	1	(650085-55)	(650085-55)	(650085-55)	(650085-55)	(650085-55)
C22	Capacitor,Ceramic Axial .1uF,50V	1	-	-	(650085-55)	(650085-55)	(650085-55)
C18	Capacitor,Ceramic Axial .1uF,50V	1	-	-	-	(650085-55)	(650085-55)
C19	Capacitor,Ceramic Axial .1uF,50V	1	-	-	-	-	(650085-55)
U2	Rivet,Blind Dome HD. .125Dia	1	(650139-05)	(650139-05)	(650139-05)	(650139-05)	(650139-05)
R78,79	Resistor,Carbon Film,1/2W,1KOhms	2	(650202-73)	(650202-73)	(650202-73)	(650202-73)	(650202-73)
L1-7	Inductor,Ferrite Bead	7	650300-05	650300-05	650300-05	650300-05	650300-05
U3	IC Quad OP Amp	1	650358	650358	650358	650358	650358
Q3,4	Transistor,NPN, 624mW	2	650367	650367	650367	650367	650367
Q1,2	Transistor,PNP	2	650369	650369	650369	650369	650369
Y2	Crystal,Quartz 32.768KHz	1	(650484)	(650484)	(650484)	(650484)	(650484)
TS1	Transient Suppressor 6.8V	1	(650595-01)	(650595-01)	(650595-01)	(650595-01)	(650595-01)
C5	Capacitor,Electrolytic,Axial 330uF,25V	1	(650624)	(650624)	(650624)	(650624)	(650624)
U4	3-8 Line Decoder	1	650699	650699	650699	650699	650699
S2,3,4 S5,6	Switch, Pushbutton	5	(650748)	(650748)	(650748)	(650748)	(650748)
C23,25 C1,2,11	Capacitor,ceramic Axial .01uF,100V	5	(650882-01)	(650882-01)	(650882-01)	(650882-01)	(650882-01)
C6	Capacitor,NPO,Axial 10pF,100V	1	(650883-13)	(650883-13)	(650883-13)	(650883-13)	(650883-13)
C26	Capacitor,NPO,Axial 220pF,100V	1	(650883-17)	(650883-17)	(650883-17)	(650883-17)	(650883-17)
U5,8	8Bit Addressable Latch	2	650889	650889	650889	650889	650889
U9	8Bit Addressable Latch	1	650889	650889	650889	650889	650889
U10	8Bit Addressable Latch	1	-	-	650889	650889	650889
U6	8Bit Addressable Latch	1	-	-	-	650889	650889
U7	8Bit Addressable Latch	1	-	-	-	-	650889
DS1-8	Led,red,..200Ctrs.	8	650910	650910	650910	650910	650910
U2	Regulator,Low Dropout	1	(650962)	(650962)	(650962)	(650962)	(650962)
J2	Eyelet, Spring	1	(650985)	(650985)	(650985)	(650985)	(650985)
J1	Header,Polzd.Radial,..100Ctrs 6Pins	1	(651005-06)	(651005-06)	(651005-06)	(651005-06)	(651005-06)
B1	Battery, Lithium	1	(651009)	(651009)	(651009)	(651009)	(651009)
B1	Holder,Battery Coin	1	(651010)	(651010)	(651010)	(651010)	(651010)
U11	IC,Real Time Clock	1	(651011)	(651011)	(651011)	(651011)	(651011)
U12	IC,EEPROM-4K Byte, Serial	1	(651012)	(651012)	(651012)	(651012)	(651012)
Y1	Resonator,ceramic 8.00MHz	1	(651013)	(651013)	(651013)	(651013)	(651013)
U13	IC,8Bit Input Mux	1	(651014)	(651014)	(651014)	(651014)	(651014)
C4	Capacitor,Electrolytic,Axial 1000uF,25V	1	(651054-12)	(651054-12)	(651054-12)	(651054-12)	(651054-12)
RPF1	Polyswitch,RXE,60V,.65A	1	(651055-08)	(651055-08)	(651055-08)	(651055-08)	(651055-08)
S9	Switch Slide	1	(651292)	(651292)	(651292)	(651292)	(651292)

Note: Part Numbers enclosed in brackets ( ) are not available individually, but may be sold in assemblies or kits.